

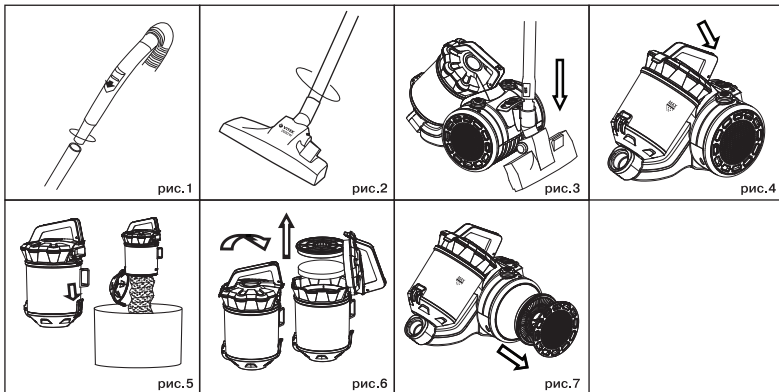
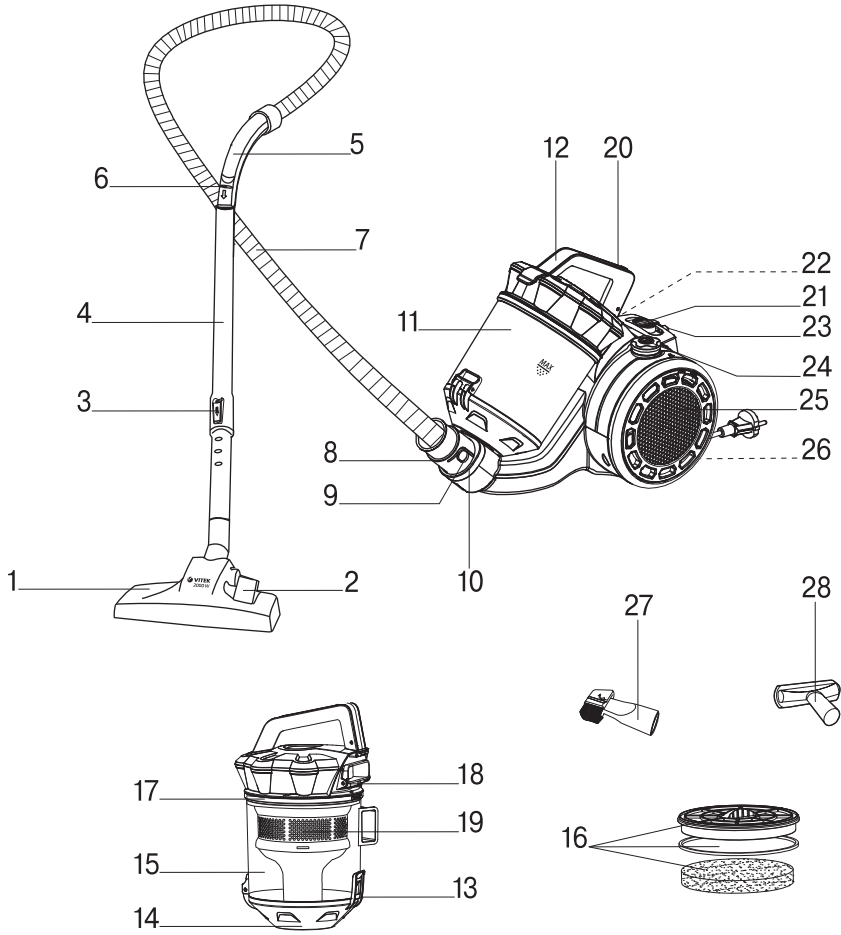
**VT-1860**

Vacuum cleaner

Пылесос

# Инструкция по эксплуатации

<b>GB</b> Manual instruction	<b>3</b>
<b>RUS</b> Инструкция по эксплуатации	<b>7</b>
<b>KZ</b> Пайдалану нұсқасы	<b>13</b>
<b>UA</b> Інструкція з експлуатації	<b>18</b>
<b>KG</b> Пайдалануу боюнча нускама	<b>23</b>



## VACUUM CLEANER VT-1860

The vacuum cleaner is intended for room dry cleaning.

### DESCRIPTION

1. Floor/carpet brush
2. «FLOOR/CARPET» mode switch
3. Telescopic pipe clamp
4. Telescopic extension pipe
5. Flexible hose handle
6. Manual suction power control
7. Flexible hose
8. Flexible hose ending
9. Ending locks
10. Air inlet
11. Dust bin
12. Carrying handle
13. Dust bin lid release button
14. Dust bin lid
15. Dust bin flask
16. Inlet filter block
17. Filter block lid
18. Filter block lid lock
19. Separator
20. Dust bin release button
21. Suction power control
22. Power cord winding button
23. Brush storage
24. Vacuum cleaner on/off button
25. Outlet filter grid
26. Outlet HEPA filter
27. Universal crevice nozzle
28. Furniture brush

### ATTENTION!

*For additional protection you can install a residual current device with nominal operation current not exceeding 30 mA into the mains; contact a specialist for installation.*

### SAFETY PRECAUTIONS

Read this instruction manual carefully before using the unit and keep it for the whole operation period. Use the unit for its intended purpose only, as specified in this manual. Mishandling of the unit may lead to its breakage and cause harm to the user or damage to his/her property.

To avoid the risk of fire, electric shock and to prevent injury, observe the following safety measures.

- Before connecting the unit to the mains, make sure that the voltage specified on the unit corresponds to your home mains voltage.

- To avoid fire, do not use adapters for connecting the unit to the mains.
- Do not leave the plugged in vacuum cleaner unattended. Always unplug the vacuum cleaner from the mains if it is not being used, before changing attachments or before unit maintenance.
- To prevent the risk of electric shock, do not use the vacuum cleaner outdoors, do not use it for collecting water or any other liquids (do not use the vacuum cleaner on wet surfaces).
- Carry the vacuum cleaner holding it by the carrying handle only.
- Do not use the power cord for carrying the vacuum cleaner, do not close the door if the power cord runs through the doorway, do not let the power cord come in contact with sharp corners or edges of furniture, and with hot surfaces. Do not run over the power cord with the vacuum cleaner while room cleaning as this can damage it.
- Always first switch the vacuum cleaner off with the ON/OFF button and only after that take the power plug out of the mains socket.
- When unplugging the unit, pull the plug, not the cord.
- Do not touch the plug or the body of the vacuum cleaner with wet hands.
- Hold the winding cord with hand to avoid the plug hitting against the floor.
- Do not cover the unit outlet with any objects.
- Do not switch the unit on if any of its openings is blocked.
- Keep hair, free hanging clothes, fingers and other parts of your body away from the vacuum cleaner air inlets.
- Be especially cautious while cleaning the stair landings.
- Do not use the vacuum cleaner for collecting such highly inflammable liquids as gasoline and solvents, do not use the vacuum cleaner in places where such liquids are stored.
- Do not use the vacuum cleaner for collecting water and any other liquids, burning or smoking cigarettes, matches, cinders as well as fine dust, for example, of plaster, concrete, flour or ashes.
- Do not use the vacuum cleaner if:
  - the dustbag is not installed or installed improperly;
  - the inlet and outlet filters are not installed.
- Do not immerse the unit body into water or any other liquids.

# ENGLISH

- Use only the accessories and attachments supplied.
- Clean the vacuum cleaner regularly.
- Keep the vacuum cleaner in a dry cool place.
- Do not use the vacuum cleaner to clean pets.
- Close supervision is necessary when children or people with disabilities are near the operating unit.
- This unit is not intended for usage by children. During the unit operation and breaks between operation cycles place the unit out of reach of children.
- The unit is not intended for usage by physically or mentally disabled persons (including children) or by persons lacking experience or knowledge if they are not under supervision of a person who is responsible for their safety or if they are not instructed by this person on the usage of the unit.
- Do not leave children unattended to prevent using the unit as a toy.
- For children safety reasons do not leave polyethylene bags used as packaging unattended.

**Attention!** Do not allow children to play with polyethylene bags or packaging film. **Danger of suffocation!**

- Regularly check the power plug and power cord integrity for damages.
- Do not use the unit if the power cord or the power plug is damaged. If the power cord is damaged, it should be replaced by the manufacturer, service or similar qualified personnel to avoid danger.
- Do not attempt to repair the unit by yourself. Do not disassemble the unit by yourself, if any malfunction is detected or after it was dropped, unplug the unit and contact any authorized service center from the contact address list given in the warranty certificate and on the website [www.vitek.ru](http://www.vitek.ru).
- Transport the unit in the original packaging only.
- Keep the unit out of reach of children and people with disabilities.

*THE UNIT IS INTENDED FOR HOUSE HOLD USE ONLY, ITS COMMERCIAL USAGE AND USAGE IN PRODUCTION AREAS AND WORK SPACES IS PROHIBITED.*

## BEFORE THE FIRST USE

**After unit transportation or storage at low temperature keep it for at least three hours at room temperature before switching on.**

- Unpack the unit completely and remove any advertising stickers that can prevent the unit operation.
- Check the unit for damages, do not use it in case of damages.
- Before switching the unit on, make sure that your home mains voltage corresponds to the unit operating voltage.

## ASSEMBLING THE VACUUM CLEANER

### Attaching and removing the flexible hose

- Insert the flexible hose ending (8) into the air inlet (10) until the locks (9) click.
- To remove the flexible hose (7), press the clamps (9) and detach the ending (8) from the air inlet (10).

### Attaching the telescopic pipe and the attachments

- Attach the telescopic extension pipe (4) to the flexible hose handle (5) (pic. 1).
- Extend the lower part of the telescopic extension pipe to the required length, having preliminary pressed the clamp (3).
- Choose the necessary attachment - floor/carpet brush (1), combined crevice nozzle (27) or furniture brush (29) – and attach it to the telescopic extension pipe (4) (pic. 2).
- If necessary, you can attach the attachments (27, 28) directly to the flexible hose handle (5).

## USING THE BRUSH ATTACHMENTS

### Floor/carpet brush (1)

Set the switch (2) on the brush (1) to the required position «FLOOR/CARPET» (depending on the type of the surface being cleaned).

### Combined crevice nozzle (27)

The combined attachment is intended not only for cleaning radiators, crevices, corners or space between cushions, but for collecting dust from furniture surface as well, the pile on the brush (27) prevents damage of polished furniture surface. During the operation set the brush to the required position.

### Furniture brush (28)

The brush attachment (28) is intended for cleaning fabric surfaces of upholstered furniture.

### Dust bin (11)

The dust bin (11) is equipped with the cyclonic filter (19) which eliminates garbage and dust from

the incoming air, and the filter block (16) retains the finest dust particles.

**Note:** - provide that the filter block (16) is always clean, because the overall performance of the vacuum cleaner depends on it.

## USING THE VACUUM CLEANER

### Safety measures

- Do not use the vacuum cleaner near hot surfaces, such as ashtrays and in places where inflammable liquids are stored.
- Take sharp objects away from the floor before cleaning to prevent the unit damage.
- If the suction power of the vacuum cleaner decreases rapidly while cleaning, switch it off immediately and check the telescopic pipe (4) and the flexible hose (7) for obstruction. Switch the vacuum cleaner off, then unplug it, remove the obstruction and only after that continue cleaning.

### OPERATION

**Attention!** You may switch the vacuum cleaner on only with the dust bin (11), with the filter block (16) and the outlet HEPA filter (26) installed in the dust bin. Before switching the vacuum cleaner on always make sure that the filters (16, 26) are installed properly.

- Before using the unit, unwind the power cord to the required length and insert the power plug into the mains socket.
- The yellow mark on the power cord indicates the maximum cord length. Do not unwind the power cord further than the red mark.
- Press the on/off button (24) to switch the vacuum cleaner on.
- During the operation you can control the suction power using the suction power control (21) or the manual suction power control (6) on the flexible hose handle (5).
- After room cleaning switch the vacuum cleaner off by pressing the on/off button (24) and unplug the unit.
- To wind the power cord, press the button (22), hold the winding cord with your hand to avoid its whipping and damage.
- During the breaks you can place the brush (1) in the brush storage (23) (pic. 3).

**Note:** - before replacing the brush (1), setting the attachments (27, 28) or cleaning the dust bin (11) switch the vacuum cleaner off and take the power plug out of the mains socket.

## CLEANING AND CARE

### Cleaning the dust bin (11)

Remove garbage and dust from the dust bin (11) after every room cleaning.

- Switch the vacuum cleaner off and unplug it.
- Holding the handle (12), press the lock (20) and remove the dust bin (11) (pic. 4).
- Place the dust bin (11) over a garbage bin.
- Pull the lock (13) to release the lid (14) (pic. 5).
- Remove accumulated dust and garbage from the dust bin (11).
- Close the lid (14).
- Install the dust bin (11) back to its place.

### Cleaning the separator (19) and the filter block (16) installed in the dust bin (11)

- Preliminarily remove dust and garbage from the dust bin (11) as described above.
- Pull the lock (18) and open the lid (17).
- Remove the filter block (16), take the micro-foam filter and the nonwoven fabric filter out of the filter block (16) (pic. 6).
- Close the lid (17), take the handle (12), turn it counterclockwise "☰" and remove the separator (19).
- Wash the separator (19) under warm water jet and then dry it.
- Clean the filters (16) from dust and garbage and wash them under warm water jet.
- Do not wash filters in a dishwashing machine.
- Dry the filters (16) thoroughly.
- Do not dry filters with a hairdryer.
- Wash the dust bin flask (15), wipe it and dry.
- Install the cyclonic filter into the flask (15) matching the mark on the cyclonic filter with the mark "☰" on the flask (15) and turn it counterclockwise "☰" until fixed.
- Open the lid (17) and install the nonwoven filter and the microfoam filter into the filter block (16), install the filter block (16) back to its place.
- Close the lid (17) until the lock (18) clicking.
- Install the assembled dust bin (11) back to its place and make sure that the dust bin (11) is fixed properly.

### Attention!

Before installing the dust bin (11) make sure that the filter block (16) is dry and there is no moisture inside the dust bin (11).

### Cleaning the outlet HEPA filter (26)

- Switch the vacuum cleaner off and unplug it.

# ENGLISH

- Remove the outlet filter grid (25) turning it counterclockwise "OPEN" and remove the HEPA filter (26) (pic. 7).
- Wash the HEPA filter (26) under slightly warm water jet. Do not wash the filter in a dishwashing machine.
- Dry the HEPA filter (26). Do not dry the HEPA filter (26) with a hairdryer.
- Install the HEPA filter (26) back to its place.
- Install the outlet filter grid (25) back to its place, to do this match the mark "OPEN" on the grid (25) with the mark on the vacuum cleaner body, turn the grid (25) clockwise until bumping "LOCK".

## Notes:

- Before installing the HEPA filter (26) make sure that it is dry.
- Do not dry the HEPA filter (26) with a hairdryer.

## Vacuum cleaner body

- Clean the vacuum cleaner body with a soft, slightly damp cloth and then wipe it dry.
- Do not immerse the body of the vacuum cleaner, the power cord and the power plug into water or any other liquids. Provide that no liquid gets inside the vacuum cleaner body.
- Do not use solvents or abrasives to clean the surface of the vacuum cleaner.

## OVERHEATING PROTECTION

The overheating protection system will switch the power supply off if the electric motor operating temperature is too high. If during the operation the vacuum cleaner has switched off, press the on/off button (24), unplug the unit. Let the vacuum cleaner cool down for 30-40 minutes and switch it on again.

## STORAGE

- Before taking the vacuum cleaner away for long term storage, clean the vacuum cleaner body, the dust bin (11), the filter block (16), the separator (19) and the outlet HEPA filter (26).
- For easy storing use the horizontal brush storage (23) (pic. 3).
- Keep the vacuum cleaner in a dry cool place out of reach of children and disabled persons.

## DELIVERY SET

Vacuum cleaner with the dust bin and filters installed – 1 pc.  
Flexible hose – 1 pc.

Telescopic extension pipe – 1 pc.  
Floor/carpet brush – 1 pc.  
Combined crevice nozzle – 1 pc.  
Furniture brush – 1 pc.  
Instruction manual – 1 pc.

## TECHNICAL SPECIFICATIONS

Power supply: 220-240 V ~ 50 Hz  
Rated input power: 1400 W  
Max power: 2000 W  
Suction power: 400 W  
Dust container capacity: 3 L

## RECYCLING



For environment protection do not throw out the unit and the batteries (if included), do not discard the unit and the batteries with usual household waste after the service life expiration; apply to specialized centers for further recycling.

The waste generated during the disposal of the unit is subject to mandatory collection and consequent disposal in the prescribed manner.

For further information about recycling of this product apply to a local municipal administration, a disposal service or to the shop where you purchased this product.

*The manufacturer preserves the right to change design, structure and specifications not affecting general principles of the unit operation without a preliminary notification due to which insignificant differences between the manual and product may be observed. If the user reveals such differences, please report them via e-mail [info@vitek.ru](mailto:info@vitek.ru) for receipt of an updated manual.*

## The unit operating life is 3 years

## Guarantee

Details regarding guarantee conditions can be obtained from the dealer from whom the appliance was purchased. The bill of sale or receipt must be produced when making any claim under the terms of this guarantee.



*This product conforms to the EMC Directive 2014/30/EU and to the Low Voltage Directive 2014/35/EU.*

## ПЫЛЕСОС VT-1860

Пылесос предназначен для сухой уборки помещений.

### ОПИСАНИЕ

1. Щётка для пола/ковровых покрытий
2. Переключатель режимов «ПОЛ/КОВЁР»
3. Фиксатор телескопической трубки
4. Телескопическая удлинительная трубка
5. Ручка гибкого шланга
6. Ручной регулятор мощности всасывания
7. Гибкий шланг
8. Наконечник гибкого шланга
9. Фиксаторы наконечника
10. Воздухозаборное отверстие
11. Контейнер-пылесборник
12. Ручка для переноски
13. Клавиша фиксатора крышки контейнера-пылесборника
14. Крышка контейнера-пылесборника
15. Колба контейнера-пылесборника
16. Входной блок фильтров
17. Крышка блока фильтров
18. Фиксатор крышки блока фильтров
19. Сепаратор
20. Кнопка фиксатора контейнера-пылесборника
21. Регулятор мощности всасывания
22. Клавиша сматывания сетевого шнура
23. Место «парковки» щётки
24. Клавиша включения/выключения пылесоса
25. Решётка выходного фильтра
26. Выходной HEPA-фильтр
27. Универсальная щелевая насадка
28. Щётка для чистки мебельной обивки

### ВНИМАНИЕ!

*Для дополнительной защиты в цепь питания целесообразно установить устройство защитного отключения (УЗО) с номинальным током срабатывания, не превышающим 30 мА; при установке следует обратиться к специалисту.*

### МЕРЫ БЕЗОПАСНОСТИ

Перед использованием устройства внимательно прочитайте настоящее руководство по эксплуатации и сохраняйте его в течение всего срока эксплуатации.

Используйте устройство только по его прямому назначению, как изложено в данном руководстве. Неправильное обращение с устройством может привести к его поломке, причинению вреда пользователю или его имуществу.

Для снижения риска возникновения пожара, для защиты от поражения электрическим током и защиты от травм следуйте приведённым ниже рекомендациям.

- Прежде чем подключить устройство к электросети, убедитесь в том, что напряжение, указанное на устройстве, соответствует напряжению электросети в вашем доме.
- Во избежание риска возникновения пожара не используйте переходники при подключении устройства к электрической розетке.
- Не оставляйте пылесос без присмотра, когда он включён в сетевую розетку. Обязательно вынимайте вилку сетевого шнура из электрической розетки, если не пользуетесь пылесосом, при смене насадок, а также перед обслуживанием устройства.
- Для снижения риска удара электрическим током не используйте пылесос вне помещений, запрещается использовать пылесос для сбора воды или любой другой жидкости (не используйте пылесос на влажных поверхностях).
- Переносить пылесос можно, только взявшись за ручку для переноски.
- Не используйте сетевой шнур для переноски пылесоса, не закрывайте дверь, если сетевой шнур проходит через дверной проём, избегайте контакта сетевого шнура с острыми краями или углами мебели, а также с нагретыми поверхностями. Во время уборки помещения запрещается пережевывать пылесосом через сетевой шнур – вы можете его повредить.
- Сначала обязательно отключайте пылесос кнопкой включения/выключения, и только после этого можно вынимать вилку сетевого шнура из электрической розетки.
- Отключая устройство от электрической сети, не тяните за сетевой шнур, а беритесь за вилку сетевого шнура.

# РУССКИЙ

- Не прикасайтесь к сетевой вилке или к корпусу пылесоса мокрыми руками.
  - Во время сматывания сетевого шнура придерживайте шнур рукой, не допускайте, чтобы сетевая вилка ударялась о поверхность пола.
  - Запрещается закрывать выходное отверстие устройства какими-либо предметами.
  - Запрещается включать устройство, если какое-либо из его отверстий заблокировано.
  - Следите за тем, чтобы волосы, свободно висящие элементы одежды, пальцы или другие части тела не находились рядом с воздухозаборными отверстиями пылесоса.
  - Будьте особенно внимательны при уборке лестничных площадок.
  - Запрещается использовать пылесос для сбора растворителей и легковоспламеняющихся жидкостей, таких как бензин; запрещается использовать пылесос в местах хранения таких жидкостей.
  - Запрещается с помощью пылесоса собирать воду или любые другие жидкости, горящие или дымящиеся сигареты, спички, тлеющий пепел, а также тонкодисперсную пыль, например, от штукатурки, бетона, муки или золы.
  - Запрещается использовать пылесос, если:
    - не установлен или неправильно установлен пылесборник;
    - не установлены входной и выходной фильтры.
  - Не погружайте корпус пылесоса в воду или в любые другие жидкости.
  - Используйте только те аксессуары и насадки, которые входят в комплект поставки.
  - Проводите регулярную чистку пылесоса.
  - Храните пылесос в сухом прохладном месте.
  - Не используйте пылесос для чистки домашних животных.
  - Будьте особенно внимательны, если поблизости от работающего устройства находятся дети или лица с ограниченными возможностями.
  - Данное устройство не предназначено для использования детьми. Во время работы и в перерывах между рабочими циклами размещайте устройство в местах, недоступных для детей.
  - Прибор не предназначен для использования лицами (включая детей) с пониженными физическими, психическими или умственными способностями или при отсутствии у них опыта или знаний, если они не находятся под контролем или не проинструктированы об использовании прибора лицом, ответственным за их безопасность.
  - Осуществляйте надзор за детьми, чтобы не допустить использования устройства в качестве игрушки.
  - Из соображений безопасности детей не оставляйте полиэтиленовые пакеты, используемые в качестве упаковки, без присмотра.
- Внимание!** Не разрешайте детям играть с полиэтиленовыми пакетами или упаковочной плёнкой. **Опасность удушья!**
- Регулярно проверяйте состояние вилки сетевого шнура и сам сетевой шнур на отсутствие повреждений.
  - Запрещается использовать устройство при наличии повреждений сетевого вилки или шнура, питания. При повреждении шнура питания его замену во избежание опасности должны производить изготовитель, сервисная служба или подобный квалифицированный персонал.
  - Запрещается самостоятельно ремонтировать прибор. Не разбирайте прибор самостоятельно, при возникновении любых неисправностей, а также после падения устройства выключите прибор из электрической розетки и обратитесь в любой авторизованный (уполномоченный) сервисный центр по контактным адресам, указанным в гарантийном талоне и на сайте [www.vitek.ru](http://www.vitek.ru).
  - Перевозите устройство только в заводской упаковке.
  - Храните устройство в местах, недоступных для детей и людей с ограниченными возможностями.

**УСТРОЙСТВО ПРЕДНАЗНАЧЕНО ТОЛЬКО ДЛЯ БЫТОВОГО ИСПОЛЬЗОВАНИЯ В ЖИЛЫХ ПОМЕЩЕНИЯХ, ЗАПРЕЩАЕТСЯ КОММЕРЧЕСКОЕ ИСПОЛЬЗОВАНИЕ И ИСПОЛЬЗОВАНИЕ УСТРОЙСТВА В ПРОИЗВОДСТВЕННЫХ ЗОНАХ И РАБОЧИХ ПОМЕЩЕНИЯХ.**

## ПЕРЕД ПЕРВЫМ ИСПОЛЬЗОВАНИЕМ

**После транспортировки или хранения устройства при пониженной температуре необходимо выдержать его при комнатной температуре не менее трёх часов.**

- Полностью распакуйте устройство и удалите любые рекламные наклейки, мешающие работе устройства.
- Проверьте целостность устройства, при наличии повреждений не пользуйтесь устройством.
- Перед включением убедитесь в том, что напряжение электрической сети соответствует рабочему напряжению устройства.

## СБОРКА ПЫЛЕСОСА

### Подсоединение и снятие гибкого шланга

- Вставьте наконечник гибкого шланга (8) в воздухозаборное отверстие (10) до срабатывания фиксаторов (9).
- Для снятия гибкого шланга (7) нажмите на фиксаторы (9) и выньте наконечник (8) из воздухозаборного отверстия (10).

### Подсоединение телескопической трубки и насадок

- Подсоедините телескопическую удлинительную трубку (4) к ручке гибкого шланга (5) (рис. 1).
- Выдвиньте нижнюю часть телескопической трубки на необходимую длину, предварительно нажав на фиксатор (3).
- Выберите необходимую насадку – щётку для пола/ковровых покрытий (1), комбинированную щелевую насадку (27) или насадку для чистки мебельной обивки (28) – и подсоедините её к телескопической удлинительной трубке (4) (рис. 2).

- При необходимости можно присоединять насадки (27, 28) непосредственно к ручке гибкого шланга (5).

## ИСПОЛЬЗОВАНИЕ ЩЁТОК-НАСАДОК

### Щётка для пола/ковровых покрытий (1)

Установите переключатель (2) на щётке (1) в необходимое положение «ПОЛ/КОВЁР» (в зависимости от типа поверхности, на которой производится уборка).

### Комбинированная щелевая насадка (27)

Щелевая насадка предназначена не только для чистки радиаторов, щелей, углов или пространства между подушками диванов, но и для сбора пыли с поверхности мебели, при этом наличие ворса на щётке (27) препятствует повреждению полированной поверхности мебели. Во время работы установите щётку в необходимое положение.

### Щётка для чистки мебельной обивки (28)

Насадка-щётка (28) предназначена для чистки тканевых поверхностей мягкой мебели.

### Контейнер-пылесборник (11)

Контейнер-пылесборник (11) оснащён циклоническим фильтром (19), который отсеивает мусор и пыль из входящего воздуха, а блок фильтров (16) окончательно задерживает самые мелкие частицы пыли.

**Примечание:** - всегда следите за чистотой блока фильтров (16), поскольку от этого зависит эффективность работы пылесоса.

## ИСПОЛЬЗОВАНИЕ ПЫЛЕСОСА

### Меры предосторожности

- Не производите уборку пылесосом в непосредственной близости от сильно нагретых поверхностей, например, рядом с пепельницами, а также в местах хранения легковоспламеняющихся жидкостей.
- Перед началом уборки уберите с пола острые предметы, чтобы не допустить повреждения устройства.

# РУССКИЙ

- Если во время уборки резко снизилась всасывающая мощность пылесоса, немедленно выключите его и проверьте телескопическую трубку (4) или шланг (7) на предмет засорения. Выключите пылесос, затем отключите его от электрической сети, устраните засор, и только после этого можно продолжать уборку.

## ЭКСПЛУАТАЦИЯ

**Внимание!** Включать пылесос можно только с установленным контейнером-пылесборником (11) и установленным в нём блоком фильтров (16), а также с установленным выходным (26) HEPA-фильтром. Перед включением пылесоса обязательно проверьте наличие и правильность установки фильтров (16, 26).

- Перед началом работы вытяните сетевой шнур на необходимую длину и вставьте вилку сетевого шнура в электрическую розетку.
- Жёлтая отметка на сетевом шнуре предупреждает о максимальной длине сетевого шнура. Запрещается вытягивать сетевой шнур дальше красной отметки.
- Для включения пылесоса нажмите на клавишу включения/выключения (24).
- Во время работы вы можете регулировать мощность всасывания с помощью регулятора мощности всасывания (21), или ручного регулятора мощности всасывания (6), расположенного на ручке гибкого шланга (5).
- По окончании уборки в помещении нажмите на клавишу включения/выключения (24) и извлеките вилку сетевого шнура из электрической розетки.
- Для сматывания сетевого шнура нажмите на клавишу (22), придерживайте рукой сматывающийся шнур во избежание его захлёстывания и повреждения.
- В перерывах между уборкой можно устанавливать щётку (1) в место для «парковки» (23) (рис 3).

**Примечание:** - перед заменой щётки (1), установкой насадок (27, 28) или перед чисткой контейнера-пылесборника (11) отклю-

чите пылесос и извлеките вилку сетевого шнура из электрической розетки.



## ЧИСТКА И УХОД

### Чистка контейнера-пылесборника (11)

Производите удаление мусора и пыли из контейнера-пылесборника (11) после каждой уборки помещения.

- Выключите пылесос и отключите его от сети.
- Возьмитесь за ручку (12), нажмите на фиксатор (20) и снимите контейнер-пылесборник (11) (рис. 4).
- Расположите контейнер-пылесборник (11) над мусорным ведром.
- Потяните за фиксатор (13) для освобождения крышки (14) (рис. 5).
- Удалите пыль и мусор из контейнера (11).
- Закройте крышку (14).
- Установите контейнер (11) на место.

### Чистка сепаратора (19) и блока фильтров (16), установленного в контейнере-пылесборнике (11)

- Предварительно очистите контейнер (11) от мусора и пыли, как описано выше.
- Потяните за фиксатор (18) и откройте крышку (17).
- Выньте блок фильтров (16), выньте из блока фильтров (16) микропоролоновый фильтр и фильтр из нетканого материала (рис. 6).
- Закройте крышку (17), возьмитесь за ручку (12), поверните её против часовой стрелки «» и выньте сепаратор (19).
- Промойте сепаратор (19) под струёй теплой воды и просушите.
- Очистите фильтры (16) от пыли и мусора, промойте их под струей теплой воды.
- Не используйте для промывки фильтров посудомоечную машину.
- Тщательно просушите фильтры (16).
- Запрещается для сушки фильтров использовать фен.
- Промойте колбу контейнера-пылесборника (15), вытрите её и просушите.
- Установите циклонический фильтр в колбу (15), совместив метку на циклоническом фильтре с меткой «» на колбе (15)

и поверните его против часовой стрелки «**LOCK**» до фиксации.

- Откройте крышку (17) и установите нетканый фильтр и микропоролоновый фильтр в блок фильтров (16), установите блок фильтров (16), на место.
- Закройте крышку (17) до срабатывания фиксатора (18).
- Установите собранный контейнер-пылесборник (11) на место, убедитесь, что контейнер-пылесборник (11) надёжно зафиксирован.

### **Внимание!**

*Перед установкой контейнера-пылесборника (11) убедитесь, что блок фильтров (16) сухой и внутри контейнера-пылесборника (11) отсутствует влага.*

### **Чистка выходного HEPA-фильтра (26)**

- Выключите пылесос и отключите его от электрической сети.
- Снимите решётку выходного фильтра (25), повернув её против часовой стрелки «**OPEN**», извлеките HEPA-фильтр (26) (рис. 7).
- Промойте HEPA-фильтр (26) под струёй слегка тёплой воды. Не используйте для промывки фильтра посудомоечную машину.
- Просушите HEPA-фильтр (26). Запрещается использовать фен для сушки HEPA-фильтра (26).
- Установите HEPA-фильтр (26) на место.
- Установите на место решётку выходного фильтра (25), для этого совместите метку «**OPEN**» на решётке (25) с меткой на корпусе пылесоса, поверните решётку (25) по часовой стрелке до упора «**LOCK**».

### **Примечания:**

- *Перед установкой HEPA-фильтра (26) убедитесь в том, что он сухой.*
- *Запрещается использовать фен для сушки HEPA-фильтра (26).*

### **Корпус пылесоса**

- Протирайте корпус пылесоса слегка влажной мягкой тканью, после чего вытрите насухо.
- Запрещается погружать корпус пылесоса, сетевой шнур и вилку сетевого шнура

в воду или в любые другие жидкости. Не допускайте попадания жидкости внутрь корпуса пылесоса.

- Запрещается для чистки поверхности пылесоса использовать растворители и абразивные чистящие средства.

### **ЗАЩИТА ОТ ПЕРЕГРЕВА**

Система защиты от перегрева отключит питание, если превышена рабочая температура электромотора. Если во время работы, пылесос отключился, нажмите клавишу включения/выключения (24), выньте вилку сетевого шнура из электрической розетки.

Дайте пылесосу остыть в течение 30-40 минут, после чего включите его снова.

### **ХРАНЕНИЕ**

- Прежде чем убрать пылесос на длительное хранение, проведите чистку корпуса пылесоса, контейнера-пылесборника (11), блока фильтров (16), сепаратора (19) и выходного HEPA-фильтра (26).
- Для удобства при хранении используйте место горизонтальной (23) «парковки» щётки (рис.3).
- Храните пылесос в сухом прохладном месте, недоступном для детей и людей с ограниченными возможностями.

### **КОМПЛЕКТАЦИЯ**

Пылесос с установленным контейнером-пылесборником и фильтрами – 1 шт.

Гибкий шланг – 1 шт.

Телескопическая удлинительная трубка – 1 шт.

Щётка для пола/ковровых покрытий – 1 шт.

Комбинированная щелевая насадка – 1 шт.

Щётка для чистки мебели обивки – 1 шт.

Инструкция – 1 шт.

### **ТЕХНИЧЕСКИЕ ХАРАКТЕРИСТИКИ**

Электропитание: 220-240 В ~ 50 Гц

Номинальная потребляемая

мощность: 1400 Вт

Максимальная мощность: 2000 Вт

Мощность всасывания: 400 Вт

Объём контейнера для пыли: 3 л

# РУССКИЙ

## УТИЛИЗАЦИЯ



В целях защиты окружающей среды, после окончания срока службы прибора и элементов питания (если входят в комплект), не выбрасывайте их вместе с обычными бытовыми отходами, передайте прибор и элементы питания в специализированные пункты для дальнейшей утилизации.

Отходы, образующиеся при утилизации изделий, подлежат обязательному сбору с последующей утилизацией в установленном порядке.

Для получения дополнительной информации об утилизации данного продукта обратитесь в местный муниципалитет, службу утилизации бытовых отходов или в магазин, где Вы приобрели данный продукт.

*Производитель сохраняет за собой право изменять дизайн, конструкцию и технические характеристики, не влияющие на общие принципы работы устройства, без предварительного уведомления, из-за чего между инструкцией и изделием могут наблюдаться*

*незначительные различия. Если пользователь обнаружил такие несоответствия, просим сообщить об этом по электронной почте [info@vitek.ru](mailto:info@vitek.ru) для получения обновленной версии инструкции.*

**Срок службы устройства – 3 года**



*Данное изделие соответствует всем требуемым европейским и российским стандартам безопасности и гигиены.*

**ИЗГОТОВИТЕЛЬ:** СТАР ПЛЮС ЛИМИТЕД  
(STAR PLUS LIMITED)

**МЕСТОНАХОЖДЕНИЕ И ПОЧТОВЫЙ АДРЕС  
ДЛЯ СВЯЗИ:** ЮНИТ БИ ЭНД СИ, 15Й ЭТАЖ,  
КЭЙСИ АБЕРДИН ХАУС, №38, ХЁНГ ИП РОУД,  
ВОНГ ЧУК ХАНГ, ГОНКОНГ, КНР

**ИМПОРТЕР:** ООО «ВИТЕК.РУС»

**МЕСТОНАХОЖДЕНИЕ И ПОЧТОВЫЙ  
АДРЕС ДЛЯ СВЯЗИ:** 117209, РФ, Г. МОСКВА,  
СЕВАСТОПОЛЬСКИЙ ПР-КТ, Д. 28, КОРП. 1.

**[www.vitek.ru](http://www.vitek.ru)**

**ТЕЛЕФОН ДЛЯ СПРАВОК:** 8-800-100-18-30

СДЕЛАНО В КНР

## ШАҢСОРҒЫШ VT-1860

Шаңсорғыш үй-жайларды құрғақ жинастыруға арналған.

### СИПАТТАМАСЫ

1. Еденге/кілем жабындысына арналған қылшақ
2. «ЕДЕН/КІЛЕМ» режимдерінің ауыстырғышы
3. Телескопиялық түтік бекіткіші
4. Телескопиялық ұзартқыш түтік
5. Иілгіш құбыршектің қолсабы
6. Сору қуаттылығының қол реттегіші
7. Иілгіш құбыршек
8. Иілгіш құбыршек ұштығы
9. Ұштық бекіткіштері
10. Ауатартқыш саңылау
11. Контейнер-шаңжинағыш
12. Тасымалдауға арналған қолсап
13. Шаңжинағыш-контейнер қақпағы бекіткішінің пернесі
14. Шаңжинағыш-контейнер қақпағы
15. Шаңжинағыш-контейнердің қолбасы
16. Сүзгілердің кіру блогі
17. Сүзгілер блогінің қақпағы
18. Сүзгілер блогі қақпағының бекіткіші
19. Сепаратор
20. Шаңжинағыш-контейнер бекіткішінің батырмасы
21. Сору қуаттылығын реттегіш
22. Желі бауын артқа айналдыру пернесі
23. Қылшақ «тұрағының» орны
24. Шаңсорғышты қосу/сөндіру пернесі
25. Шығу сүзгісінің торы
26. Шығу HEPA-сүзгісі
27. Әмбебап саңылаулық қондырма
28. Жиһаз қаптауын тазалауға арналған қылшақ

### НАЗАР АУДАРЫҢЫЗ!

*Қосымша қорғаныс үшін қуаттандыру тізбегіне номиналды іске қосылу тоғымен 30 МА-дан аспайтын, қорғаныс ажыратылу құрылғысын (ҚАҚ) орнатқан дұрыс; орнатқан кезде маманға жүгіну қажет.*

### ҚАУІПСІЗДІК ШАРАЛАРЫ

Құрылғыны пайдалану алдында берілген пайдалану бойынша басшылықты зейін қойып оқып шығыңыз және оны бүкіл пайдалану уақыты бойы сақтаңыз. Құрылғыны осы нұсқаулықта баяндалғандай, тікелей тағайыны бойынша ғана пайдаланыңыз. Құрылғыны дұрыс пайдаланбау оның сынуына әкелуі мүмкін, пайдаланушыға немесе оның мүлігіне зиян келтіруі мүмкін.

Өрт шығу тәуекелін төмендету үшін, электр тоғына түсуден қорғау және жарақаттардан қорғау үшін төменде келтірілген нұсқауларды орындаңыз.

- Құрылғыны электр желісіне қоспас бұрын, құрылғыда көрсетілген кернеу үйіңіздегі электр желісінің кернеуіне сәйкес келетіндігіне көз жеткізіңіз.
- Өрт шығу қауіпін болдырмау үшін құрылғыны электр розеткасына қосар алдында жалғастырғыштарды пайдаланбаңыз.
- Шаңсорғыш желі розеткасына қосулы тұрғанда, оны қараусыз қалдырмаңыз. Егер шаңсорғышты пайдаланбасаңыз, қондырмаларды ауыстыру кезінде, сонымен қатар құрылғыға қызмет көрсету алдында міндетті түрде желі бауының ашасын электр розеткасынан суырыңыз.
- Электр тоғы соққысы тәуекелін азайту үшін шаңсорғышты үй-жайдан тыс жерде пайдаланбаңыз, шаңсорғышпен суды немесе кез-келген басқа сұйықтықты жинауға тыйым салынады (шаңсорғышты сулы беттерде пайдаланбаңыз).
- Шаңсорғышты тек тасымалдауға арналған қолсаптан ұстап қана тасымалдауға болады.
- Желі бауын шаңсорғышты тасымалдау үшін пайдаланбаңыз, егер желі бауы есік арасынан өтсе, есікті жаппаңыз, желі бауы жиһаздың үшкір шеттерімен немесе бұрыштарымен, сондай-ақ қызған беттермен жанасуын болдырмаңыз. Үй-жайды жинау барысында желі бауының үстінен шаңсорғышпен жүруге тыйым салынады— сіз оны зақымдауыңыз мүмкін.
- Алдымен шаңсорғышты міндетті түрде қосу/сөндіру батырмасымен сөндіріңіз, және осыдан кейін ғана желі бауын электр розеткасынан суыруға болады.
- Құрылғыны электр желісінен ажыратқанда, желі бауынан тартпаңыз, желі бауының ашасынан ұстаңыз.
- Желі ашасын немесе шаңсорғыш корпусын су қолмен ұстамаңыз.
- Желі бауын орау кезінде бауды қолыңызбен демеп тұрыңыз, желі ашасы еденге ұрылуына жол бермеңіз.
- Құрылғының шығу саңылауын қандай да бір заттармен жабуға тыйым салынады.
- Егер құрылғының қандай да бір саңылауы бұғатталған болса, құрылғыны қосуға тыйым салынады.
- Шаштың, киімнің еркін салбырап тұрған элементтері, саусақтар немесе дененің

# ҚАЗАҚША

өзге бөліктері шаңсорғыштың ауатартқыш саңылаулары жанында орналаспауын қадағалаңыз.

- Баспалдақ алаңдарын жинау кезінде ерекше сақ болыңыз.
- Шаңсорғышты еріткіштер және бензин сияқты жеңіл тұтанатын сұйықтықтарды жинау үшін пайдалануға тыйым салынады; шаңсорғышты осындай сұйықтықтарды сақтайтын жерлерде пайдалануға тыйым салынады.
- Шаңсорғыш көмегімен суды немесе кез-келген өзге сұйықтықты, жанып жатқан немесе түтіндеп жатқан темекілерді, шырылдарды, шоқтанған күлді, сонымен қатар, мысалы, сылақтан, бетоннан, ұн немесе күлден қалған жұқа дисперсті шаңды жинауға тыйым салынады.
- Шаңсорғышты пайдалануға тыйым салынады, егер:
  - шаң жинағыш қате орнатылса немесе мүлдем орнатылмаса;
  - шығу және кіру сүзгілері орнатылмаса.
- Шаңсорғыш корпусын суға немесе кез-келген өзге сұйықтыққа салмаңыз.
- Тек жеткізу жинағына кіретін аксессуарлар мен қондырмаларды ғана пайдаланыңыз.
- Шаңсорғышты мезгілімен тазалап отырыңыз.
- Шаңсорғышты құрғақ салқын жерде сақтаңыз.
- Үй жануарларын тазалау үшін шаңсорғышты пайдаланбаңыз.
- Жұмыс істеп тұрған құрылғының жанында балалар немесе мүмкіндіктері шектеулі адамдар болса, ерекше сақ болыңыз.
- Осы құрылғы балалардың қолдануына арналмаған. Жұмыс істеу уақытында және жұмыс циклдері арасындағы үзілістерде құрылғыны балалардың қолы жетпейтін жерге орналастырыңыз.
- Дене, жүйке немесе сана мүмкіндіктері төмендетілген тұлғалардың (балаларды қоса) немесе оларда тәжірибесі немесе білімі болмаса, егер олар бақыланбаса немесе олардың қауіпсіздігі үшін жауап беретін тұлғамен аспапты пайдалану туралы нұсқаулықтар берілген болмаса, аспап олардың пайдалануына арналмаған.
- Құрылғыны ойыншық ретінде пайдалануға жол бермеу үшін балаларды қадағалаңыз.
- Балалардың қауіпсіздігін қамтамасыз ету мақсатында қаптама ретінде пайдаланылатын

полиэтилен пакеттерді қараусыз қалдырмаңыз.

**Назар аударыңыз!** Балаларға полиэтилен пакеттерімен немесе қаптама үлдірімен ойнауға рұқсат етпеңіз. **Тұншығу қаупі!**

- Желі бауының ашасын және желі бауының өз күйін зақымданудың болмауына тексеріп отырыңыз.
- Құрылғыны электр ашасы немесе қуаттандыру бауы зақымданған жағдайда пайдалануға тыйым салынады. Қуаттандыру бауы зақымданған жағдайда қауіп тудырмау үшін оны дайындаушы, сервистік қызмет немесе баламалы білікті маман ауыстыруы тиіс.
- Аспапты өз бетіңізбен жөндеуге тыйым салынады. Аспапты өздігіңізден бөлшектемеңіз, кез-келген бұзылыс пайда болғанда, сондай-ақ құрылғы құлаған болса, құрылғыны электр розеткасынан сөндіріңіз және кепілдік талонында және [www.vitek.ru](http://www.vitek.ru) сайтында көрсетілген байланыс мекен-жайлары бойынша кез-келген авторландырылған (үкілетті) сервистік орталыққа жүгініңіз.
- Құрылғыны зауыт қаптамасында ғана тасымалдаңыз.
- Құрылғыны балалар және мүмкіндіктері шектеулі адамдардың қолы жетпейтін жерде сақтаңыз.

**ҚҰРЫЛҒЫ ТҰРҒЫН ҮЙ-ЖАЙЛАРДА ТҰРМЫСТЫҚ ПАЙДАЛАНУҒА ҒАНА АРНАЛҒАН, ҚҰРЫЛҒЫНЫ КОММЕРЦИЯЛЫҚ ПАЙДАЛАНУҒА ЖӘНЕ ӨНДІРІСТІК АЙМАҚТАР МЕН ЖҰМЫС ҮЙ-ЖАЙЛАРЫНДА ПАЙДАЛАНУҒА ТЫЙЫМ САЛЫНАДЫ.**

## АЛҒАШҚЫ ПАЙДАЛАНУ АЛДЫНДА

**Құрылғыны төмен температура жағдайында тасымалдағаннан немесе сақтағаннан кейін, оны бөлме температурасында үш сағаттан кем емес уақыт бойы ұстау қажет.**

- Құрылғыны толығымен қаптамадан шығарыңыз және құрылғының жұмысына кедергі болатын кез-келген жарнамалық жапсырмаларды алып тастаңыз.
- Құрылғының бүтіндігін тексеріңіз, зақымданулары болса құрылғыны пайдаланбаңыз.
- Қосу алдында, электр желісінің кернеуі құрылғының жұмыс кернеуіне сәйкес болуына көз жеткізіңіз.

## ШАҢСОРҒЫШТЫ ЖИНАУ

### Иілгіш құбыршекті жалғау және шешу

- Иілгіш құбыршектің ұштығын (8) ауатартқыш саңылауға (10) бекіткіштер іске қосылғанға дейін тығыңыз (9).
- Иілгіш құбыршекті (7) шешіп алу үшін бекіткіштерге (9) басыңыз және ұштығын (8) ауатартқыш саңылаудан (10) суырыңыз.

### Телескопиялық түтікті және қондырмаларды қосу

- Телескопиялық ұзартқыш түтікті (4) иілгіш құбыршек қолсабына (5) қосыңыз (сур. 1).
- Алдын ала бекіткішке (3) басып, телескопиялық түтіктің астыңғы бөлігін қажетті ұзындыққа шығарыңыз.
- Қажетті қондырманы – еденге/кілем жабындыларына арналған қылшақты (1), құрамдастырылған саңылаулық қондырмасын (27) немесе жиһаз қаптауын тазалауға арналған қондырманы (28) таңдаңыз – және оны телескопиялық ұзартқыш түтікке (4) қосыңыз (сур. 2).
- Қажет болғанда қондырмаларды (27, 28) тікелей иілгіш құбыршектің қолсабына (5) қосуға болады.

### Қылшақ-қондырмаларды пайдалану

#### Еденге/кілем жабындыларына арналған қылшақ (1)

Қылшақтағы (1) ауыстырғышты (2) қажетті «ЕДЕН/КІЛЕМ» күйіне (жинастыру жүргізіліп жатқан беттің түріне байланысты) орнатыңыз.

#### Құрамдастырылған саңылаулық қондырма (27)

Саңылауларға арналған қондырма радиаторларды, саңылауларды, бұрыштарды немесе диван жастықтарының арасындағы кеңістікті тазалауға ғана емес, сонымен бірге жиһаз бетіндегі шаңды жинау үшін де арналған, осы ретте қылшақта (27) түктің болуы жиһаздың жалтыратылған бетінің бүлінуіне жол бермейді. Жұмыс кезінде қылшақты қажетті күйге орнатыңыз.

#### Жиһаз қаптауын тазалауға арналған қылшақ (28)

Қылшақ-қондырма (28) жұмсақ жиһаздың маталы беттерін тазалауға арналған.

#### Шаңжинағыш-контейнер (11)

Шаңжинағыш-контейнер (11) циклондық сүзгімен (19) жабдықталған, ол кірген ауадан қоқыс

пен шаңды елеп алады, ал сүзгілер блогі (16) соңында шаңның ең ұсақ бөлшектерін ұстап қалады.

**Ескертпе:** - *әрқашан сүзгілер блогінің (16) тазалығын қадағалаңыз, себебі шаңсорғыш жұмысының тиімділігі соған байланысты.*

### ШАҢСОРҒЫШТЫ ПАЙДАЛАНУ

#### Сақтандыру шаралары

- Қатты қыздырылған беттердің тікелей маңында, мысалы, құлсауыттар жанында, сонымен қатар жылдам тұтанатын сұйықтықтарды сақтау орындарында шаңсорғышпен жинауды іске асырмаңыз.
- Жинауды бастау алдында еденнен құрылғының зақымдануына жол бермеу үшін үшкір заттарды алып тастаңыз.
- Егер жинастыру кезінде шаңсорғыштың сору қуаттылығы кенет төмендеп кетсе, оны дереу сөндіріңіз және телескопиялық түтікті (4) немесе құбыршекті (7) қоқыстануға қатысты тексеріңіз. Шаңсорғышты сөндіріңіз, содан кейін оны электр желісінен ажыратыңыз, қоқыстануды жойыңыз, және осыдан кейін ғана жинастыруды жалғастыруға болады.

#### ПАЙДАЛАНУЫ

**Назар аударыңыз!** *Шаңсорғышты орнатылған контейнер-шаңжинағышпен (11) және оған орнатылған сүзгілер блогімен (16), сонымен қатар орнатылған шығу (26) НЕРА-сүзгісімен ғана қосуға болады. Шаңсорғышты қосу алдында сүзгілердің (16, 26) болуын және орнату дұрыстығын міндетті түрде тексеріңіз.*

- Жұмысты бастар алдында желі бауын қажетті ұзындыққа тартыңыз және желі бауының ашасын электр розеткасына қосыңыз.
- Желі бауындағы сары белгі желі бауының максималды ұзындығы екенін ескертеді. Желі бауын қызыл белгіден әрі тартуға тыйым салынады.
- Шаңсорғышты қосу үшін қосу/сөндіру (24) пернесіне басыңыз.
- Жұмыс барысында сору қуаттылығын сору қуаттылығының электрондық реттеушісімен (21), немесе иілгіш құбыршектің қолсабында (5) орналасқан сору қуаттылығының қол реттеушісі (6) арқылы реттей аласыз.
- Үй-жайдағы жинастыруды аяқтағаннан кейін қосу/сөндіру пернесіне (24) басыңыз және желі бауының ашасын электр розеткасынан суырыңыз.

# ҚАЗАҚША

- Желі бауын орау үшін пернеге (22) басыңыз, оралып жатқан баудың соғылуы мен зақымдануына жол бермеу үшін оны қолмен демеп тұрыңыз.
- Жинастыру арасындағы үзілістерде қылшақты (1) «тұрақ» орнына (23) орнатуға болады (сур 3).

**Ескертпе:** - қылшақты (1) ауыстыру, қондырмаларды (27, 28) орнату немесе контейнер-шаңжинағышты (11) тазалау алдында шаңсорғышты сөндіріңіз және желі бауының ашасын электр розеткасынан суырыңыз.

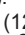
## ТАЗАЛАУ ЖӘНЕ КҮТІМ



### Шаңжинағыш-контейнерді (11) тазалау

Үй-жайды әр жинастырған сайын шаңжинағыш-контейнерден (11) қоқыс пен шаңды жоюды жүзеге асырыңыз.

- Шаңсорғышты сөндіріңіз және оны желіден ажыратыңыз.
- Қолсаптан (12) ұстаңыз, бекіткішке (20) басыңыз және шаңжинағыш-контейнерді (11) шешіп алыңыз (сур. 4).
- Контейнер-шаңжинағышты (11) қоқыс шелігінің үстіне орналастырыңыз.
- Қақпақты (14) (сур. 5) босату үшін бекіткіштен (13) тартыңыз.
- Шаң мен қоқысты контейнерден (11) жойыңыз.
- Қақпақты (14) жабыңыз.
- Контейнерді (11) орнына орнатыңыз.

### Контейнер-шаңжинағышқа (11) орнатылған сүзгілер блогі (16) мен сепараторды (19) тазалау

- Контейнерді (11) алдын ала қоқыс пен шаңнан, жоғарыда сипатталғандай тазалаңыз.
- Бекіткіштен (18) тартыңыз және қақпақты (17) ашыңыз.
- Сүзгілер блогін (16) шығарыңыз, сүзгілер блогінен (16) микропоролон сүзгі мен тоқыма емес материал сүзгіні шығарыңыз (сур. 6).
- Қақапақты (17) жабыңыз, қолсаптан (12) ұстаңыз, оны сағат тілі бағытына қарсы «» бұраңыз және сепараторды (19) шығарып алыңыз.
- Сепараторды (19) жылы су ағыны астында жуып жіберіңіз және кептіріңіз.
- Сүзгілерді (16) шаңнан және қоқыстан тазалаңыз, оларды жылы су ағыны астында жуыңыз.
- Сүзгілерді жуу үшін ыдыс жуатын машинаны пайдаланбаңыз.
- Сүзгілерді (16) мұқият кептіріңіз.

- Сүзгілерді кептіру үшін фенді пайдалануға тыйым салынады.
- Шаңжинағыш-контейнердің қолбасын (15) жуып жіберіңіз, сүртіңіз және кептіріңіз.
- Циклондық сүзгіні қолбаға (15) орнатыңыз, ол үшін циклондық сүзгідегі белгіні «» қолбадағы (15) белгімен сәйкестендіріңіз және оны сағат тілі бағыты бойынша «» бекігенге дейін бұраңыз.
- Қақпақты (17) ашыңыз және тоқыма емес сүзгі мен микропоролон сүзгіні сүзгілер блогіне (16) орнатыңыз, сүзгілер блогін (16) орнына орнатыңыз.
- Қақпақты (17) бекіткіш (18) іске қосылғанға дейін жабыңыз.
- Құрастырылған шаңжинағыш-контейнерді (11) орнына орнатыңыз, контейнер-шаңжинағыштың (11) сенімді бекігендігіне көз жеткізіңіз.

### Назар аударыңыз!

Шаңжинағыш-контейнерді (11) орнатар алдында сүзгілер блогінің (16) құрғақ екеніне және шаңжинағыш-контейнердің (11) ішінде ылғалдың жоқ екеніне көз жеткізіңіз.

### Шығу HEPA-сүзгісін (26) тазалау

- Шаңсорғышты сөндіріңіз және оны электр желісінен өшіріңіз.
- Шығу сүзгісінің торын (25) шешіп алыңыз, ол үшін оны сағат тіліне қарсы «OPEN» бұраңыз, HEPA-сүзгіні (26) шығарыңыз (сур. 7).
- HEPA-сүзгісін (26) сәл жылы ағын судың астында жуып жіберіңіз. Сүзгіні жуу үшін ыдыс жуатын машинаны қолданбаңыз.
- HEPA-сүзгісін (26) құрғатыңыз. HEPA-сүзгіні (26) кептіру үшін фенді пайдалануға тыйым салынады.
- HEPA-сүзгіні (26) орнына орнатыңыз.
- Шығу сүзгісінің торын (25) орнына орнатыңыз, ол үшін тордағы (25) «OPEN» белгісін шаңсорғыш корпусындағы белгімен сәйкестендіріңіз, торды (25) сағат тілі бойынша «LOCK»-қа тірелгенге дейін бұраңыз.

### Ескертпелер:

- HEPA-сүзгісін (26) орнату алдында, оның құрғақ екеніне көз жеткізіңіз.
- HEPA-сүзгіні (26) кептіру үшін фенді пайдалануға тыйым салынады.

### Шаңсорғыш корпусы

- Шаңсорғыш корпусын сәл дымқыл жұмсақ матамен сүртіңіз, содан кейін құрғатып сүртіңіз.
- Шаңсорғыш корпусын, желі бауын және желі бауының ашасын суға немесем кез-келген

басқа сұйықтықтарға салуға тыйым салынады. Шаңсорғыш корпусының ішіне сұйықтықтың тиюіне жол бермеңіз.

- Шаңсорғыш бетін тазалау үшін еріткіштерді және қажайтын тазалағыш заттарды пайдалануға тыйым салынады.

## ҚЫЗЫП КЕТУДЕН ҚОРҒАНЫС

Егер электр мотордың жұмыс температурасы шамадан тыс асып кетсе, қызып кетуден қорғаныс жүйесі қоректендіруді өшіреді. Егер жұмыс кезінде, шаңсорғыш өшіп қалса, қосу/сөндіру пернесіне (24) басыңыз, желі бауының ашасын электр розеткасынан суырыңыз. Шаңсорғышты 30-40 минут бойы салқындатыңыз, содан кейін қайтадан қосыңыз.

## САҚТАЛУЫ

- Шаңсорғышты ұзақ уақыт сақтау үшін алып қоярдан бұрын, шаңсорғыш корпусын, шаңжинағыш-контейнерді (11) және сүзгілер блогін (16), поролон сүзгі мен сепараторды (19) және шығу HEPA-сүзгісін (26) тазалауды жүргізіңіз.
- Сақтау кезінде ыңғайлылық үшін қылшақтың көлденең «тұрағы» орнын (23) пайдаланыңыз (сур.3).
- Шаңсорғышты құрғақ салқын, балалардың және мүмкіндіктері шектеулі адамдардың қолы жетпейтін жерде сақтаңыз.

## ЖИНАҚТАЛЫМЫ

Шаңсорғыш орнатылған сүзгіштер және шаңжинағыш-контейнерімен – 1 дн.

Иілгіш құбыршек – 1 дн.

Телескопиялық ұзартқыш түтік – 1 дн.

Еденге/кілем жабындыларына арналған қылшақ – 1 дн.

Құрамдастырылған саңылаулық қондырма – 1 дн.

Жиһаз қаптауын тазалауға арналған қылшақ – 1 дн.

Нұсқаулық – 1 дн.

## ТЕХНИКАЛЫҚ СИПАТТАМАЛАР

Электрлік қуаттандыруы: 220-240 В ~ 50 Гц

Номиналдық тұтынатын қуаты: 1400 Вт

Максималды қуаттылығы: 2000 Вт

Сору қуаттылығы: 400 Вт

Шаңға арналған контейнердің көлемі: 3 л

## ҚАЙТА ӨНДЕУ



Қоршаған ортаны қорғау мақсатында, аспаптың және қуаттандыру элементтерінің (егер жинақтың құрамына кірсе) қызмет ету мерзімі аяқталғаннан кейін, оларды күнделікті тұрмыстық қалдықтармен бірге тастауға болмайды, аспап пен қуаттандыру элементтерін ары қарай көдеге асыру үшін мамандандырылған орындарға өткізу керек. Бұйымдарды қайта өңдеу кезінде пайда болатын қалдықтар белгіленген тәртіп бойынша келесі қайта өңделетін міндетті жинауға жатады.

Берілген өнімді қайта өңдеу туралы қосымша ақпаратты алу үшін жергілікті муниципалитетке, тұрмыстық қалдықтарды қайта өңдеу қызметіне немесе берілген өнімді Сіз сатып алған дүкенге хабарласыңыз.

*Дайындаушы аспапты жақсарту мақсатында, алдын-ала хабарламай, аспаптың дизайнын, конструкциясы және оның жұмыс қағидатына әсер етпейтін техникалық сипаттарын өзгерту құқығын өзіне қалдырады, соған байланысты нұсқаулық пен бұйымның арасында кейбір айырмашылықтар болуы мүмкін. Егер пайдаланушы осындай сәйкессіздіктерді анықтаса, нұсқаулықтың жаңартылған нұсқасын алу үшін сәйкессіздік туралы [info@vitek.ru](mailto:info@vitek.ru) электрондық поштасына хабарлауыңызды сұраймыз.*

**Құрылғының қызмет ету мерзімі – 3 жыл**

## Гарантиялық міндеттілігі

Гарантиялық жағдайдағы қаралып жатқан бөлшектер дилерден тек сатып алынған адамға ғана беріледі. Осы гарантиялық міндеттілігіндегі шағымдалған жағдайда төлеген чек немесе квитанциясын көрсетуі қажет.



# УКРАЇНЬСКА

## ПИЛОСОС VT-1860

Пилосос призначений для сухого прибирання приміщень.

### ОПИС

1. Щітка для підлоги/килимових покриттів
2. Перемикач режимів «ПІДЛОГА/КИЛИМ»
3. Фіксатор телескопічної трубки
4. Телескопічна подовжувальна трубка
5. Ручка гнучкого шланга
6. Ручний регулятор потужності всмоктування
7. Гнучкий шланг
8. Наконечник гнучкого шланга
9. Фіксатори наконечника
10. Повітрязабірний отвір
11. Контейнер-пилосбірник
12. Ручка для перенесення
13. Клавіша фіксатора кришки контейнера-пилосбірника
14. Кришка контейнера-пилосбірника
15. Колба контейнера-пилосбірника
16. Вхідний блок фільтрів
17. Кришка блоку фільтрів
18. Фіксатор кришки блоку фільтрів
19. Сепаратор
20. Кнопка фіксатора контейнера-пилосбірника
21. Регулятор потужності всмоктування
22. Клавіша змотування мережного шнура
23. Місце «паркування» щітки
24. Клавіша увімкнення/вимкнення пилососа
25. Решітка вихідного фільтра
26. Вихідний HEPA-фільтр
27. Універсальна щілинна насадку
28. Насадка для чищення меблевої оббивки

### УВАГА!

*Для додаткового захисту у коло живлення доцільно встановити пристрій захисного вимкнення (ПЗВ) з номінальним струмом спрацьовування, що не перевищує 30 мА; при установленні слід звернутися до фахівця.*

### ЗАХОДИ БЕЗПЕКИ

Перед використанням пристрою уважно прочитайте керівництво з експлуатації та зберігайте його протягом усього терміну експлуатації.

Використовуйте пристрій тільки за його прямим призначенням, як викладено у цьому керівництві. Неправильне використання при-

строю може призвести до його поломки, завдання шкоди користувачеві або його майну.

Для зниження ризику виникнення пожежі, для захисту від ураження електричним струмом та захисту від травм дотримуйтесь приведених нижче рекомендацій.

- Перш ніж підімкнути пристрій до електромережі, переконайтеся в тому, що напруга, вказана на пристрої, відповідає напрузі електромережі у вашому будинкові.
- Щоб уникнути ризику виникнення пожежі, не використовуйте перехідники при підмиканні пристрою до електричної розетки.
- Не залишайте пилосос без нагляду, коли він увімкнений в мережну розетку. Обов'язково виймайте вилку мережного шнура з електричної розетки, якщо не користуєтесь пилососом, при зміні насадок, а також перед обслуговуванням пристрою.
- Для зниження ризику ураження електричним струмом не використовуйте пилосос поза приміщеннями, забороняється використовувати пилосос для зібрання води або будь-якої іншої рідини (не використовуйте пилосос на вологих поверхнях).
- Переносити пилосос можна тільки узявшись за ручку для перенесення.
- Не використовуйте мережний шнур для перенесення пилососа, не закривайте двері, якщо мережний шнур проходить через дверний проріз, уникайте контакту мережного шнура з гострими кінцями або кутами меблів, а також з нагрітими поверхнями. Під час прибирання приміщення забороняється переїжджати пилососом через мережний шнур – ви можете його пошкодити.
- Спочатку обов'язково вимикайте пилосос кнопкою вмикання/вимкнення, і тільки після цього можна виймати вилку мережного шнура з електричної розетки.
- Вимикаючи пристрій з електричної мережі, не тягніть за мережний шнур, а беріться за вилку мережного шнура.
- Не торкайтеся мережної вилки або корпусу пилососа мокрими руками.
- Під час змотування мережного шнура притримуйте шнур рукою, не допускайте, щоб мережна вилка вдарялася об поверхню підлоги.

- Забороняється закривати вихідний отвір пристрою якими-небудь предметами.
- Забороняється вмикати пристрій, якщо який-небудь з його отворів заблокований.
- Наглядайте за тим, щоб волосся, елементи одягу, що вільно висять, пальці або інші частини тіла не знаходилися поряд з повітрязбірними отворами пилососа.
- Будьте особливо уважні при прибиранні сходових майданчиків.
- Забороняється використовувати пилосос для збирання легкозаймистих рідин, таких як бензин; забороняється використовувати пилосос у місцях зберігання таких рідин.
- Забороняється за допомогою пилососа збирати воду або будь-які інші рідини, горячі або димлячі сигарети, сірники, тліючий попіл, а також тонкодисперсний пил, наприклад, від тиньку, бетону, борошна або золи.
- Забороняється використовувати пилосос, якщо:
  - не встановлений або неправильно встановлений пилосбірник;
  - не встановлені вхідний та вихідний фільтри.
- Не занурюйте корпус пилососа у воду або будь-які інші рідини.
- Використовуйте тільки ті аксесуари або насадки, які входять до комплекту постачання.
- Робіть регулярне чищення пилососа.
- Зберігайте пилосос у сухому прохолодному місці.
- Не використовуйте пилосос для чищення домашніх тварин.
- Будьте особливо уважні, якщо поблизу від працюючого пристрою знаходяться діти або особи з обмеженими можливостями.
- Даний пристрій не призначений для використання дітьми. Під час роботи та у перервах між робочими циклами розміщайте пристрій у місцях, недоступних для дітей.
- Пристрій не призначений для використання особами (включаючи дітей) зі зниженими фізичними, психічними і розумовими здібностями або при відсутності у них досвіду або знань, якщо вони не знаходяться під контролем або не проінструктовані щодо використання пристрою особою, відповідальною за їх безпеку.
- Здійснюйте нагляд за дітьми, щоб не допустити використання пристрою як іграшки.

- З міркувань безпеки дітей не залишайте поліетиленові пакети, що використовуються як упаковка, без нагляду.

**Увага!** Не дозволяйте дітям грати з поліетиленовими пакетами або пакувальною плівкою.

### **Небезпека задущення!**

- Регулярно перевіряйте стан вилки мережевого шнура і сам мережевий шнур на відсутність пошкоджень.
- Забороняється використовувати пристрій, якщо є пошкодження мережної вилки або шнура живлення. При пошкодженні шнура живлення його заміну, щоб уникнути небезпеки, мають робити виробник, сервісна служба або подібний кваліфікований персонал.
- Забороняється самостійно ремонтувати пристрій. Не розбирайте пристрій самостійно, при виникненні будь-яких несправностей, а також після падіння пристрою та зверніться до будь-якого авторизованого (уповноваженого) сервісного центру за контактною адресою, вказаною у гарантійному талоні та на сайті [www.vitek.ru](http://www.vitek.ru).
- Перевозьте пристрій лише в заводській упаковці.
- Зберігайте пристрій у місцях, недоступних для дітей та людей з обмеженими можливостями.

*ПРИСТРІЙ ПРИЗНАЧЕНИЙ ТІЛЬКИ ДЛЯ ПОБУТОВОГО ВИКОРИСТАННЯ У ЖИТЛОВИХ ПРИМІЩЕННЯХ, ЗАБОРОНЯЄТЬСЯ КОМЕРЦІЙНЕ ВИКОРИСТАННЯ ТА ВИКОРИСТАННЯ ПРИСТРОЮ У ВИРОБНИЧИХ ЗОНАХ ТА РОБОЧИХ ПРИМІЩЕННЯХ.*

### **ПЕРЕД ПЕРШИМ ВИКОРИСТАННЯМ**

***Після транспортування або зберігання пристрою при зниженій температурі необхідно витримати його при кімнатній температурі не менше трьох годин.***

- Повністю розпакуйте пристрій та видаліть будь-які рекламні наклейки, що заважають роботі пристрою.
- Перевірте цілісність пристрою, якщо є пошкодження, не користуйтеся пристроєм.
- Перед вмиканням переконайтеся в тому, що напруга електричної мережі відповідає робочій напрузі пристрою.

# УКРАЇНЬСКА

## СКЛАДАННЯ ПИЛОСОСА

### Приєднання та зняття гнучкого шланга

- Вставте наконечник гнучкого шланга (8) у повітряозабірний отвір (10) до спрацьовування фіксаторів (9).
- Для зняття гнучкого шланга (7) натисніть на фіксатори (9) та витягніть наконечник (8) з повітряозабірної отвору (10).

### Приєднання телескопічної трубки та насадок

- Приєднайте телескопічну подовжувальну трубку (4) до ручки гнучкого шланга (5) (мал. 1).
- Висуньте нижню частину телескопічної трубки на необхідну довжину, попередньо натиснувши на фіксатор (3).
- Виберіть необхідну насадку – щітку для підлоги/килимових покриттів (1), комбіновану щілинну насадку (27) або насадку для чищення меблевої оббивки (28) – та приєднайте її до телескопічної подовжувальної трубки (4) (мал. 2).
- При необхідності можна приєднувати насадки (27, 28) безпосередньо до ручки гнучкого шланга (5).

## ВИКОРИСТАННЯ ЩІТОК-НАСАДОК

### Щітка для підлоги/килимових покриттів (1)

Установіть перемикач (2) на щітці (1) у необхідне положення «ПІДЛОГА/КИЛИМ» (залежно від типу поверхні, на якій здійснюється прибирання).

### Комбінована щілинна насадка (27)

Щілинна насадка призначена не тільки для чищення радіаторів, щілин, кутів або простору між подушками диванів, але і для збирання пилу з поверхні меблів, при цьому наявність ворсу на щітці (27) перешкоджає пошкодженню полірованої поверхні меблів. Під час роботи установіть щітку у необхідне положення.

### Щітка для чищення меблевої оббивки (28)

Насадка-щітка (28) призначена для чищення тканинних поверхонь м'яких меблів.

### Контейнер-пилосбірник (11)

Контейнер-пилосбірник (11) оснащений циклонічним фільтром (19), який відсіює сміття та пил з вхідного повітря, а блок фільтрів (16) цілком затримує найдрібніші частинки пилу.

**Примітка:** - завжди наглядуйте за чистотою блоку фільтрів (16), оскільки від цього залежить ефективність роботи пилососа.

## ВИКОРИСТАННЯ ПИЛОСОСА

### Запобіжні заходи

- Не робіть прибирання пилососом у безпосередній близькості від сильно нагрітих поверхонь, наприклад, поряд з попільнихками, а також у місцях зберігання легкозаймистих рідин.
- Перед початком прибирання заберіть з підлоги гострі предмети, щоб не допустити пошкодження пристрою.
- Якщо під час прибирання різко знизилася всмоктувальна потужність пилососа, негайно вимкніть його та перевірте телескопічну трубку (4) або шланг (7) на предмет засмічення. Вимкніть пилосос, потім вимкніть його з електричної мережі, усуньте засмічення, і тільки після цього можна продовжувати прибирання.

## ЕКСПЛУАТАЦІЯ

**Увага!** Вмикати пилосос можна тільки з встановленим контейнером-пилосбірником (11) та встановленими у ньому блоком фільтрів (16), а також зі встановленим вихідним (26) HEPA-фільтром. Перед увімкненням пилососа обов'язково перевіряйте наявність та працездатність установлення фільтрів (16, 26).

- Перед початком роботи витягніть мережний шнур на необхідну довжину та вставте вилку мережного шнура в електричну розетку.
- Жовта відмітка на мережному шнурі попереджає про максимальну довжину мережного шнура. Забороняється витягувати мережний шнур далі червоної відмітки.
- Для увімкнення пилососа натисніть клавішу увімкнення/вимкнення (24).
- Під час роботи ви можете регулювати потужність всмоктування за допомогою регулятора потужності всмоктування (21) або ручного регулятора потужності всмоктування (6), розташованого на ручці гнучкого шланга (5).
- Після закінчення прибирання у приміщенні натисніть на клавішу увімкнення/вимкнення (24) та витягніть вилку мережного шнура з електричної розетки.
- Для змотування мережного шнура натисніть на клавішу (22), притримуйте рукою

змотний шнур, щоб уникнути його захлос-тування та пошкодження.

- У перервах між прибиранням можна встановлювати щітку (1) у місце для «паркування» (23) (мал. 3).

**Примітка:** - перед заміною щітки (1), установленням насадок (27, 28) або перед чищенням контейнера-пилосбірника (11) вимкніть пилосос та витягніть вилку мережного шнура з електричної розетки.

## ЧИЩЕННЯ ТА ДОГЛЯД


### Чищення контейнера-пилосбірника (11)



Здійснюйте усунення сміття та пилу з контейнера-пилосбірника (11) після кожного прибирання приміщення.

- Вимкніть пилосос та від'єднайте його від мережі.
- Візьміться за ручку (12), натисніть на фіксатор (20) та зніміть контейнер-пилосбірник (11) (мал. 4).
- Розташуйте контейнер-пилосбірник (11) над відром для сміття.
- Потягніть за фіксатор (13) для звільнення кришки (14) (мал. 5).
- Видаліть пил та сміття з контейнера (11).
- Закрийте кришку (14).
- Установіть контейнер (11) на місце.

### Чищення сепаратора (19)

#### та блоку фільтрів (16), встановленого у контейнері-пилосбірнику (11)

- Попереду очистіть контейнер (11) від сміття та пилу, як описано вище.
- Потягніть за фіксатор (18) та відкрийте кришку (17).
- Вийміть блок фільтрів (16), вийміть з блоку фільтрів (16) мікропоролонний фільтр та фільтр з нетканого матеріалу (мал. 6).
- Закрийте кришку (17), візьміться за ручку (12), поверніть її проти годинникової стрілки «» та вийміть сепаратор (19).
- Промойте сепаратор (19) під струменем теплої води та просушіть.
- Очистіть фільтри (16) від пилу та сміття, промийте їх під струменем теплої води.
- Не використовуйте для промивання фільтрів посудомийну машину.
- Ретельно просушіть фільтри (16).
- Забороняється для сушіння фільтрів використовувати фен.

- Промийте колбу контейнера-пилосбірника (15), витріть її та просушіть.
- Установіть циклонічний фільтр у колбу (15), сумістивши мітку на циклонічному фільтрі з міткою «» на колбі (15), та поверніть її проти годинникової стрілки «» до фіксації.
- Відкрийте кришку (17) та установіть нетканний фільтр та мікропоролонний фільтр у блок фільтрів (16), установіть блок фільтрів (16) на місце.
- Закрийте кришку (17) до спрацьовування фіксатора (18).
- Установіть складений контейнер-пилосбірник (11) на місце, переконайтеся, що контейнер-пилосбірник (11) надійно зафіксований.

### Увага!

Перед установленням контейнера-пилосбірника (11) переконайтеся, що блок фільтрів (16) сухий та всередині контейнера-пилосбірника (11) відсутня волога.

### Чищення вихідного HEPA-фільтра (26)

- Вимкніть пилосос та відімкніть його з електричної мережі.
- Зніміть решітку вихідного фільтра (25), повернувши її проти годинникової стрілки «OPEN», витягніть HEPA-фільтр (26) (мал. 7).
- Промийте HEPA-фільтр (26) під струменем злегка теплої води. Не використовуйте для промивання фільтрів посудомийну машину.
- Просушіть HEPA-фільтр (26). Забороняється використовувати фен для сушіння HEPA-фільтра (26).
- Установіть HEPA-фільтр (26) на місце.
- Установіть на місце решітку вихідного фільтра (25), для цього сумістіть мітку «OPEN» на решітці (25) з міткою на корпусі пилососа, поверніть решітку (25) за годинниковою стрілкою до упору «LOCK».

### Примітки:

- Перед установленням HEPA-фільтра (26) переконайтеся у тому, що він сухий.
- Забороняється використовувати фен для сушіння HEPA-фільтра (26).

### Корпус пилососа

- Протирайте корпус пилососа злегка вологою м'якою тканиною, після чого витріть досуха.
- Забороняється занурювати корпус пилососа, мережний шнур та вилку мережного

# УКРАЇНЬСКА

шнура у воду або у будь-які інші рідини. Не допускайте потрапляння рідини всередину корпусу пирососа.

- Забороняється для чищення поверхні пирососа використовувати розчинники та абразивні очищувальні засоби.

## ЗАХИСТ ВІД ПЕРЕГРІВАННЯ

Система захисту від перегрівання вимкне живлення, якщо перевищена робоча температура електромотора. Якщо під час роботи пирососа вимкнувся, натисніть клавішу увімкнення/вимкнення (24), вийміть вилку мережного шнура з електричної розетки.

Дайте пристрою остигнути протягом 30-40 хвилин, після чого увімкніть його знов.

## ЗБЕРІГАННЯ

- Перш ніж забрати пиросос на тривале зберігання, зробіть чищення корпусу пирососа, контейнера-пилосбірника (11), блоку фільтрів (16), сепаратора (19) та вихідного НЕРА-фільтра (26).
- Для зручності при зберіганні використовуйте місце горизонтального (23) «паркування» щітки (мал. 3).
- Зберігайте пиросос у сухому прохолодному місці, недоступному для дітей та людей з обмеженими можливостями.

## КОМПЛЕКТАЦІЯ

Пиросос зі встановленим контейнером-пилосбірником та фільтрами – 1 шт.

Гнучкий шланг – 1 шт.

Телескопічна подовжувальна трубка – 1 шт.

Щітка для підлоги/килимових покриттів – 1 шт.

Комбінована щілинна насадка – 1 шт.

Щітка для чищення меблевої оббивки – 1 шт.

Інструкція – 1 шт.

## ТЕХНІЧНІ ХАРАКТЕРИСТИКИ

Електроживлення: 220-240 В ~ 50 Гц

Номинальна споживана потужність: 1400 Вт

Максимальна потужність: 2000 Вт

Потужність всмоктування: 400 Вт

Об'єм контейнера для пилу: 3 л

## УТИЛІЗАЦІЯ



Для захисту навколишнього середовища після закінчення терміну служби пристрою та елементів живлення (якщо входять до комплекту) не викидайте їх разом зі звичайними побутовими відходами, передайте пристрій та елементи живлення у спеціалізовані пункти для подальшої утилізації.

Відходи, що утворюються при утилізації виробів, підлягають обов'язковому збору з подальшою утилізацією установленим порядком.

Для отримання додаткової інформації про утилізацію даного продукту зверніться до місцевого муніципалітету, служби утилізації побутових відходів або до крамниці, де Ви придбали цей продукт.

*Виробник зберігає за собою право змінювати дизайн, конструкцію та технічні характеристики, які не впливають на загальні принципи роботи пристрою, без попереднього повідомлення, через що між інструкцією та виробом можуть спостерігатися незначні відмінності. Якщо користувач виявив такі невідповідності, просимо повідомити про це по електронній пошті [info@vitek.ru](mailto:info@vitek.ru) для отримання оновленої версії інструкції.*

**Термін служби пристрою – 3 роки**

## Гарантія

Докладні умови гарантії можна отримати в дилера, що продав дану апаратуру. При пред'явленні будь-якої претензії протягом терміну дії даної гарантії варто пред'явити чек або квитанцію про покупку.



*Даний продукт відповідає вимогам Директиви 2014/30/ЄС щодо електромагнітної сумісності та Директиви 2014/35/ЄС щодо низьковольтного обладнання.*

## ЧАҢ СОРГУЧ VT-1860

Чаң соргуч орунжайларды кургак тазалоо үчүн арналган.

### СЫПАТТАМА

1. Жер таман/килем үчүн щеткасы
2. «ЖЕР ТАМАН/КИЛЕМ» режимдердин которгучу
3. Телескопдук түтүктүн бекитмеси
4. Узарткыч телескопдук түтүгү
5. Ийилчээк түтүкчөнүн туткасы
6. Соруу кубаттуулугунун кол жөндөгүчү
7. Ийилчээк түтүкчө
8. Ийилчээк түтүкчөнүн учу
9. Учтун бекитмелери
10. Аба алуучу тешик
11. Чаң топтогуч контейнер
12. Көтөрүп ташуу үчүн туткасы
13. Чаң топтогуч контейнердин капкагынын бекитме баскычы
14. Чаң топтогуч контейнердин капкагы
15. Чаң топтогуч контейнердин колбасы
16. Кирүүчү чылпа сапсалгысы
17. Чылпа сапсалгысынын капкагы
18. Чылпа сапсалгысынын капкагынын бекитмеси
19. Сепаратор
20. Чаң топтогуч контейнердин бекитме баскычы
21. Соруу кубаттуулугунун жөндөгүчү
22. Тармактык шнурун түрүп жыйноочу баскычы
23. Щетканы «коюу» жайы
24. Чаң соргучтун өчүрүү/күйгүзүү баскычы
25. Чыгуучу чыпканын панжарасы
26. Чыгуучу HEPA-чыпка
27. Универсалдуу жылчык саптамасы
28. Эмерек капталын тазалоо саптамасы

### КӨҢҮЛ БУРУҢУЗ!

*Кошумча коргоону үчүн электр тармагында потенциалдуу иштеткен тогу 30 МА ашырбаган коргоп өчүрүүчү аспабын орнотулушу максатка ылайыктуу. Аспапты орнотуу үчүн адиске кайрылыңыз.*

### КООПСУЗДК ЧАРАЛАРЫ

Электр шайманды пайдалануудан мурун колдонмону көңүл коюп окуп-үйрөнүңүз, бүткүл кызмат мөөнөтүнө сактап алыңыз. Түзөмөктү тике дайындоо боюнча гана, ушул колдонмодо жазылганга ылайыктуу

колдонуңуз. Шайманды туура эмес пайдалануу анын бузулуусуна, колдонуучуга же колдонуучунун мүлкүнө зыян келтирүүгө алып келиши мүмкүн.

Өрт коркунучун азайтуу үчүн, электр тогу ургандан, жаракат алуудан коргонуу үчүн төмөнкүдөгү колдонмону колдонуңуз.

- Шайманды электр тармагына кошкондон мурун шаймандын үстүндө жазылган чыңалуусу электр үйүңүздөгү чыңалуусуна ылайык болгонун текшерип алыңыз.
- Өрт коркунучун жоюу үчүн аспапты электр розеткасына туташтырганда кошуучу түзүлмөлөрдү колдонбоңуз.
- Чаң соргуч электр розеткасына сайылып турганда аны кароосуз таштабаңыз. Чаң соргучту иштетпей турганда, насадкаларын алмаштыруунун алдында же шайманды тейлөөнүн алдында сайгычын милдеттүү түрдө электр розеткасынан чыгарыңыз.
- Электр тогу уруу коркунучун азайтуу үчүн чаң соргучту имараттардын тышында иштетпеңиз, чаң соргучту суу же башка суюктуктарды жыйноо үчүн колдонууга тыюу салынат (чаң соргучту нымдуу беттердин үстүндө колдонбоңуз).
- Чаң соргучту көтөрүп ташуу үчүн туткасынан кармап гана ташысаңыз болот.
- Чаң соргучту электр шнурунан кармап ташыбаңыз, электр шнуру эшик тешигинен тартылган болсо, эшикти жаппаңыз, электр шнурун эмеректин учтуу кырларына же бурчтарына, ысык беттерге тийгизбеңиз. Имаратты жыйнап тазалоо убагында чаң соргучту шнурунун үстүнөн тартып жылдырбаңыз, ал бузулуп калуу мүмкүн.
- Биринчиден өчүрүп/күйгүзүү баскычы аркылуу чаң соргучту өчүрүп, ошондон кийин гана кубаттуучу сайгычын розеткасынан чыгарсаңыз болот.
- Кубаттуучу сайгычын электр розеткасынан сурганда шурду кармап эч качан тартпаңыз, сайгычын кармаңыз.
- Кубаттуучу сайгычын же чаң соргучтун корпусун суу колуңуз менен тийбеңиз.
- Электр шнурун түрүү мезгилинде шнурун колуңуз менен бир аз кармап туруңуз, сайгычы жерге урулганына жол бербейсиз.
- Шаймандын аба чыгуучу тешигин ар кайсы буюмдар менен жабууга тыюу салынат.

- Шаймандын ар кыл тешиги тосулуп турган болсо шайманды иштетүүгө тыюу салынат.
  - Чачыңыз, кийимдердин асылып турган жайлары, бармактар же башка буюмдар чаң соргучтун аба соруучу тешиктин жанында болбогонун байкап туруңуз.
  - Тепкич аянтчасын жыйнаганда өзгөчө көңүл буруңуз.
  - Чаң соргучту бензин катары эриткич жана бат жалындап кетүүчү суюктуктарды жыйноого, ал суюктуктар сактоо жайында иштетүүгө тыюу салынат.
  - Сууну же башка суюктуктарды, күйүп же түтөп турган тамекилерди, күкрттөрдү, араң кызарп жаткан күлдү жана штукатурка, бетон, ун же күл аркылуу заттардын майда дисперстик чаңын жыйноого тыюу салынат.
  - Эгерде:
    - чаң топтогуч орнотулбаган же туура эмес орнотулган болсо;
    - аба кирүүчү же чыгуучу чыпкалары орнотулбаган болсо чаң соргучту колдонбоңуз.
  - Чаң соргучтун корпусун сууга же ар кыл башка суюктуктарга салбаңыз.
  - Топтомунга кирүүчү аксессуарларын жана саптамаларын гана колдонуңуз.
  - Чаң соргучту мезгилдүү түрдө тазалап туруңуз.
  - Чаң соргучту кургак, салкын жеринде сактаңыз.
  - Үй жаныбарларды тазалоо үчүн чаң соргучту колдонбоңуз.
  - Түзмөк иштеп турган учурда жанында балдар же жөндөмдүүлүгү чектелген адамдар бар болгондо өзгөчө абайлап туруңуз.
  - Бул түзмөк балдар колдонгону үчүн арналган эмес. Шайман иштеп турганда же иштөө циклдердин арасында аны балдар жетпеген жерде сактаңыз.
  - Бул шайман дене күчү, сезими же акыл-эси жагынан жөндөмдүүлүгү чектелген (ошонун ичинде балдар да) адамдар же колдонуу боюнча тажрыйбасы же билими жок болгон адамдар, эгерде алардын коопсуздугуна жооптуу адам аларды көзөмөлдөп же инструкциялаган болбосо колдонуу үчүн ылайыкташтырылган эмес.
  - Түзмөктү оюнчук катары колдонбоо үчүн балдарга көз салыңыз.
  - Балдардын коопсуздугу үчүн таңгак катары колдонулган полиэтилен баштыктарды кароосуз таштабаңыз.
- Көңүл буруңуз!** Балдарга полиэтилен баштыктары же таңгактоочу пленка менен ойноого уруксат бербейсиз. Бул тумчугуунун коркунучун жаратат!
- Электр шнурун жана кубаттуучу сайгычын абалын бузулуулар болбогонун мезгилдүү түрдө текшерип туруңуз.
  - Электр шнурунун же тармактык айрысынын бузулуулары бар болсо, түзмөктү колдонбоңуз. Электр шнуру бузук болгондо коопчулуктарга жол бербегени үчүн аны өнүктүрүүчү, тейлөө кызмат же аларга окшогон дасыккан кызматкерлер алмаштырууга тийиш.
  - Шайманды өз алдынча оңдоого тыюу салынат. Шайманды өз алдынча ажыратпай, ар кыл бузулуулар пайда болгон же шайман кулап түшкөн учурларда аны розеткадан суруп, кепилдик талонундагы же [www.vitek.ru](http://www.vitek.ru) сайтындагы тизмесине кирген автордоштурулган (ыйгарым укуктуу) тейлөө борборуна кайрылыңыз.
  - Түзмөктү заводдук таңгагында гана транспорттоо зарыл.
  - Түзмөктү балдардын жана жөндөмдүүлүгү чектелген адамдардын колу жетпеген жерлерде сактаңыз.
- ТҮЗМӨК ТУРАК ЖАЙЛАРДА ТУРМУШ-ТИРИЧИЛИК КОЛДОНУУГА ГАНА АРНАЛГАН, КОММЕРЦИЯЛЫК КОЛДОНУУГА, ӨНӨР ЖАЙ ЗОНАЛАРЫНДА ЖЕ ЖУМУШ ИМАРАТТАРДА КОЛДОНУУГА ТЫЮУ САЛЫНАТ.**
- БИРИНЧИ КОЛДОНУУНУН АЛДЫНДА**  
**Электр шайманы төмөнкү температурада ташылып же сакталган болсо, бөлмөнүн температурасында кеминде үч саат кармап туруп, анан иштетүү керек.**
- Шайманды толугу менен таңгактан чыгарып, шаймандын иштөөсүнө тоскоолдук кылган ар кандай чаптамаларды сыйрып алыңыз.
  - Түзмөктүн бүтүндүгүн текшерип, эгер кандайдыр жери бузук же сынык болсо, колдонбоңуз.
  - Түзмөктү иштеткенден мурун түзмөктүн иштөөчү чыңалуусу электр тармагынын чыңалуусуна ылайык болгонун текшерип алыңыз.

## ЧАҢ СОРГУЧТУ КУРАШТЫРУУ

### Ийилчээк түтүкчөнү орнотуу жана чечүү

- Ичилчээк түтүкчөнүн учун (8) аба алуучу тешигине (10) бекитмелери (9) тырс эткенине чейин орнотуңуз.
- Ийилчээк түтүкчөнү (7) чечүү үчүн бекитмелерин (9) басып, учун (8) аба алуу тешигинен (10) чыгарыңыз.

### Телескоптук түтүгүн жана саптамаларын орнотуу

- Узарткыч телескоптук түтүгүн (4) ийилчээк түтүкчөнүн туткасына (5) туташтырыңыз (1 сүр.).
- Бекитмесин (3) алдын ала басып, телескоптук түтүктүн ылдый жагын керектүү узундугуна чыгарыңыз.
- Керектүү саптамасын – жер таман/килем үчүн щеткасын (1), бириктирилген жылчык саптамасын (27) же эмерек капталын тазалоо саптамасын (28) – тандап, узарткыч телескоптук түтүгүнө (4) туташтырыңыз (2 сүр.).
- Керек болгондо саптамаларын (27, 28) ийилчээк түтүкчөнүн туткасына (5) тике туташтырса болот.

### САПТАМА ЩЕТКАЛАРЫН ПАЙДАЛАНУУ

#### Жертаман/килем жабуулар үчүн щетка (1)

Щеткадагы (1) «ЖЕР ТАМАН/КИЛЕМ» которгучун (2) керектүү абалына коюңуз (жыйнап турган бетине карата).

#### Бириктирилген жылчык саптама (27)

Жылчык саптамасы радиаторлорду, жарыктарды, бурчтарды же дивандын жаздыктарынын арасын тазалоо үчүн гана эмес, эмеректин үстүндөгү чаңды жыйноо үчүн дагы арналып, щеткадагы (27) түгү эмеректин жылмалак бетинин бузулуусуна жол бербейт. Колдонуу мезгилинде щетканы керектүү абалына келтириңиз.

#### Эмерек капталын тазалоо щеткасы (28)

Щетка саптаманы (28) жумшак эмеректин кездеме катмарларын тазалоо үчүн колдонуңуз.

#### Чаң топтогуч контейнери (11)

Чаң топтогуч контейнери (11) циклондук чыпкасы (19) менен жабдылган, ал кирген абадан чаң жана шыпырындыны токтотуп,

чыпка сапсалгысы (16) чаңдын майда бөлүктөрүн токтотот.

**Эскертүү:** - чылпка сапсалгысын (16) ар дайым тазалыкта тутуңуз, себеби чаң соргучтун ишинин эффективдүүлүгү ага байланыштуу болот.

### ЧАҢ СОРГУЧТУ ПАЙДАЛАНУУ

#### Коопсуздук чаралары

- Өтө ысыган беттердин, мисалы, күл салгычтардын тикеден-тик жакынчылыгында жана тез жалындап кетүүчү суюктуктар сакталган жеринде чаң соргучу иштетпеңиз.
- Шайманды колдонуудан мурун анын бузулуусуна жол бербөө үчүн жерден учтуу нерселерди алып салыңыз.
- Шайманды иштетип турган мезгилде соруунун кубаттуулугу кескин азайып калса, аны токтоосуз өчүрүп, телескоптук түтүгү (4) же ийилчээк түтүкчөсү (7) тыгылып калбаганын текшерип алыңыз. Чаң соргучту өчүрүп, электр тармагынан ажыратып, тыгылган жерин бошотуп, андан кийин гана иштетүүнү улантсаңыз болот.

#### КОЛДОНУУ

**Көңүл буруңуз!** Чаң соргучту чаң топтогуч контейнери (11) анын ичиндеги чылпка сапсалгысы (16), чыгаруучу (26) HEPA-чыпкасы орнотулганда гана иштетсеңиз болот. Чаң соргучту иштетүүнүн алдында чыпкалары (16, 26) бар болуп, туура орнотулганын милдеттүү түрдө текшерип туруңуз.

- Иштетүүнүн алдында электр шнурун керектүү узундугуна тартып чыгарып, кубаттуучу сайгычын электр розеткасына сайыңыз.
- Электр шнурундагы сары белгиси шнурдун максималдуу узундугун белгилейт. Шнурду кызыл белгисинен ары тартууга тыюу салынат.
- Чаң соргучту иштетүү үчүн өчүрүү/күйгүзүү баскычын (24) басыңыз.
- Шайманды иштетип турганда соруу кубаттуулугун кубаттуулуктун жөндөгүчү (21) же ийилчээк түтүкчөнүн туткасында (5) жайгашкан соруу кубаттуулугунун кол жөндөгүчү (6) аркылуу жөнгө салсаңыз болот.
- Имаратты тазалап бүткөндөн кийин өчүрүү/күйгүзүү баскычын (24) басып, кубаттуучу сайгычын электр розеткасынан чыгарыңыз.

# КЫРГЫЗ

- Электр шнурун түрүп жыйноо үчүн баскычты (22) басып, түрүлүп турган шнуру чалынып бузулбоо үчүн аны колуңуз менен тосуп туруңуз.
- Жыйноонун тыныгууларында щетканы (1) «коюу» (23) жайына орнотуп турсаңыз болот (3 сүр.)ү

**Эскертүү:** - щетканы (1) алмаштыруунун, саптамаларын (27, 28) орнотуунун же чаң топтогуч контейнерин (11) тазалоонун алдында чаң соргучту өчүрүп, электр тармагынан ажыратып алыңыз.

## ТАЗАЛОО ЖАНА КАМ КӨРҮҮ

### Чаң топтогуч контейнерин (11) тазалоо

Чаң топтогуч контейнеринен (11) чаңды жана шыпырындыны ар иштетүүдөн кийин төгүп туруңуз.

- Чаң соргучту өчүрүп, тармактан ажыратыңыз.
- Туткасынан (12) кармап, бекитмесин (20) басып, чаң топтогуч контейнерин (11) чечиңиз (4 сүр.).
- Чаң топтогуч контейнерин (11) таштанды чакасынын үстүндө кармаңыз.
- Капкакты (14) бошотуу үчүн бекитмесин (13) тартыңыз (сүр. 5).
- Контейнердеги (11) чаңды жана шыпырындыларды алып салыңыз.
- Капкакты жабыңыз (14).
- Контейнерди (11) ордуна коюңуз.

### Чаң топтогуч контейнердин (11) ичиндеги сепаратор (19) менен чыпка сапсалгысын (16) тазалоо

- Жогору айтылгандай контейнерди (11) чаң менен шыпырындыдан бошотуп алыңыз.
- Бекитмесин (18) тартып, капкакты (17) ачыңыз.
- Чыпка сапсалгысын (16) чыгарып, чыпка сапсалгысынан (16) микропоролон чыпка менен токулбаган материалдан жасалган чыпканы чыгарыңыз (6 сүр.).
- Капкакты (17) жабып, туткасынан (12) кармап, аны саат жебесинин багытына каршы «🔒» бурап, аны сепараторду (19) чыгарып алыңыз.
- Сепараторду (19) жылуу суунун астында жууп, кургатып алыңыз.
- Чыпкаларды (16) чаң менен шыпырындыдан тазалап, жылуу суунун астында жууп алыңыз.
- Чыпкаларды жууш үчүн идиш жуучу аспапты колдонбоңуз.
- Чыпкаларды (16) жакшылап кургатып алыңыз.
- Чыпкаларды кургатуу үчүн фенди колдонууга тыюу салынат.

- Чаң топтогуч контейнердин колбасын (15) жууңуз, сүртүңүз жана кургатып алыңыз.
- Циклондук чыпкадагы белгисин колбадагы (15) «🔒» белгиси менен дал келтирип, циклондук чыпканы колбанын (15) ичине орнотуп, аны саат жебесинин багытына каршы «🔒» бекитилгенине чейин бураңыз.
- Капкакты (17) ачып, микропоролондуу чыпка менен токулбаган чыпканы чыпка сапсалгысына (16) орнотуп, чыпка сапсалгысын (16) ордуна орнотуңуз.
- Капкакты (17) бекитмелери (18) бекитилгенине чейин жабыңыз.
- Кураштырылган чаң топтогуч контейнерин (11) ордуна коюп, чаң топтогуч контейнер (11) бекем бекитилгенин текшерип алыңыз.

### Көңүл буруңуз!

*Чаң топтогуч контейнерин (11) орнотуудан мурун чыпка сапсалгысы (16) кургак болуп, чаң топтогуч контейнердин (11) ичинде нымдуулугу жок болгонун текшерип алыңыз.*

### Чыгуучу HEPA-чыпканы (26) тазалоо

- Чаң соргучту өчүрүп, электр тармагынан ажыратыңыз.
- Чыгуучу чыпканын панжарасын (25) саат жебесинин багытына каршы «OPEN» бурап, HEPA-чыпканы (26) чыгарыңыз (7 сүр.).
- HEPA-чыпкасын (26) бир аз жылуу суунун астында жууп алыңыз. Чыпкаларды жууш үчүн идиш жуучу аспапты колдонбоңуз.
- HEPA-чыпканы (26) кургатып алыңыз. HEPA-чыпканы (26) фен менен кургатууга тыюу салынат.
- HEPA-чыпкасын (26) ордуна коюңуз.
- Чыгуучу чыпканын панжарасын (25) ордуна орнотуңуз, ал үчүн панжарадагы (25) «OPEN» белгисин чаң соргучтун корпусундагы бегиси менен дал келтирип, панжараны (25) саат жебесинин багыты боюнча токтогонуна чейин «LOCK» бураңыз.

### Эскертүү:

- HEPA-чыпкасын (26) орнотуунун алдында ал кургак болгонун текшерип алыңыз.
- HEPA-чыпканы (26) фен менен кургатууга тыюу салынат.

### Чаң соргучтун корпусу

- Чаң соргучтун корпусун бир аз нымдуу жумшак чүпүрөк менен сүртүп, кургатып сүртүп туруңуз.

- Чаң соргучтун корпусун, электр шнурун жана шнурунун сайгычын сууга же башка суюктуктарга салууга тыюу салынат. Чаң соргучтун ичине суу куюлуусуна жол бербейсиз.
- Чаң соргучтун бетин тазалоо үчүн эриткичтерди жана абразивдүү тазалоо каражаттарды колдонууга тыюу салынат.

## УТИЛИЗАЦИЯЛОО



Айлана чөйрөөнү коргоо максатында шайман менен азыктандыруучу элементтердин (эгерде топтомго кирсе) кызмат мөөнөтү бүткөндөн кийин турмуш-тиричилик калдыктары менен бирге таштабаңыз, шайман менен азыктандыруучу элементти андан ары утилизациялоо үчүн адистештирилген пункттарга бериңиз.

Шаймандарды утилизациялоодон пайда болгон калдыктарды милдеттүү түрдө чогултуп, андан соң белгиленген жолунда утилизациялоо зарыл.

Бул шайманды утилизациялоо жөнүндө кошумча маалымат алуу үчүн жергиликтүү өкмөткө, турмуш-тиричилик калдыктарды утилизациялоо кызматына же бул шайманды алган дүкөнгө кайрылыңыз.

*Өңдүрүүчү шаймандардын жалпы иштөө принциптерине таасир этпеген дизайн, конструкциясы жана техникалык мүнөздөмөлөрүн алдын ала эскертпей өзгөртүү укугун сактайт, ошол себептен колдонмо менен шаймандын маанилүү эмес айырмачылыктар болуу мүмкүн. Колдонуучу ушундай келишпегендиктерди тапса, ал жөнүндө info@vitek.ru электрондук почтасына жазып, шаймандын жаңырылган версиясын алса болот.*

## Шаймандын кызмат мөөнөтү – 3 жыл

### Кепилдик

Кепилдик берүү шарттары тууралуу толук маалыматтар буюмду саткан сатуучудан алууга болот. Кепилдик шарттарына ылайык талап кылып сатылган товарга чек же дүмүрчөктү көрсөтүү керек.



## ӨТӨ ЫСЫТЫЛЫШТАН КОРГОО

Электр мотордун иштөө температурасы ашып калганда өтө ысытылыштан коргоо системасы аспаты өчүрөт. Иштөө убагында чаң соргуч өчүп калса, күйгүзүү/өчүрүү баскычын (24) басып, тармактык шнурунун айрысын электр розеткасынан чыгарыңыз.

Шайманды 30-40 минутанын ичинде муздатып, кайра иштетсеңиз болот.

## САКТОО

- Чаң соргучту узак убакытка сактоого алып салуудан мурда анын корпусун, чаң топтогуч контейнери (11) менен чыпка сапсалгысын (16), сепаратор (19) менен чыгуучу НЕРА-чыпканы (26) тазалап алыңыз.
- Сактоонун ыңгайлуулугу үчүн щетканы горизонталдуу «коюу» жайын (23) колдонуңуз (3 сүр.).
- Түзөмөктү балдар жана жөндөмдүүлүгү чектелген адамдар колу жетпеген жерлерде сактаңыз.

## ЖАБДЫКТЫН ЖЫЙЫНТЫГЫ

Чаң топтогуч контейнери менен чыпкалары орнотулган чаң соргуч – 1 даана.

Ийилчээк түтүкчөсү – 1 даана.

Узарткыч телескопук түтүгү – 1 даана.

Жер таман/килем үчүн щеткасы – 1 даана.

Бириктирилген жылчык саптама – 1 даана.

Эмерек капталын тазалоо щеткасы - 1 даана.

Колдонуу нускамасы – 1 даана

## ТЕХНИКАЛЫК МҮНӨЗДӨМӨСҮ

Кубаттандыруу чыңалуусу: 220-240 В ~ 50 Гц

Номиналдуу иштетүү кубаттуулугу: 1400 Вт

Максималдуу кубаттуулугу 2000 Вт

Соруу кубаттуулугу: 400 Вт

Чаң топтогуч контейнердин көлөмү: 3 л

**GB**

A production date of the item is indicated in the serial number on the technical data plate. A serial number is an eleven-unit number, with the first four figures indicating the production date. For example, serial number 0606xxxxxxx means that the item was manufactured in June (the sixth month) 2006.

**RUS**

Дата производства изделия указана в серийном номере на табличке с техническими данными. Серийный номер представляет собой одиннадцатизначное число, первые четыре цифры которого обозначают дату производства. Например, серийный номер 0606xxxxxxx означает, что изделие было произведено в июне (шестой месяц) 2006 года.

**KZ**

Бұйымның шығарылған мерзімі техникалық деректері бар кестедегі сериялық нөмірде көрсетілген. Сериялық нөмір он бір саннан тұрады, оның бірінші төрт саны шығару мерзімін білдіреді. Мысалы, сериялық нөмір 0606xxxxxxx болса, бұл бұйым 2006 жылдың маусым айында (алтыншы ай) жасалғанын білдіреді.

**UA**

Дата виробництва виробу вказана в серійному номері на табличці з технічними даними. Серійний номер представляє собою одинадцятизначне число, перші чотири цифри якого означають дату виробництва. Наприклад, серійний номер 0606xxxxxxx означає, що виріб був виготовлений в червні (шостий місяць) 2006 року.

**KG**

Буюм иштеп чыгарылган датасы сериялык номурунда техникалык маалыматтар жадыбалында көрсөтүлгөн. Сериялык номуру он бир орундуу сан болот, анын биринчи төрт саны өндүрүш датасын көрсөтөт. Мисалы, сериялык номуру 0606xxxxxxx болгон буюм 2006 жылдын июнинде (алтынчы айында) өндүрүлгөн.



ЗАПРЕЩЕНО УТИЛИЗИРОВАТЬ  
С БЫТОВЫМ МУСОРОМ.  
ОБРАТИТЕСЬ НА СООТВЕТСТВУЮЩИЙ  
ПУНКТ ПЕРЕРАБОТКИ ЭЛЕКТРИЧЕСКОГО  
И ЭЛЕКТРОННОГО ОБОРУДОВАНИЯ.