

Oven

User Manual

Плита

Руководство
пользователя

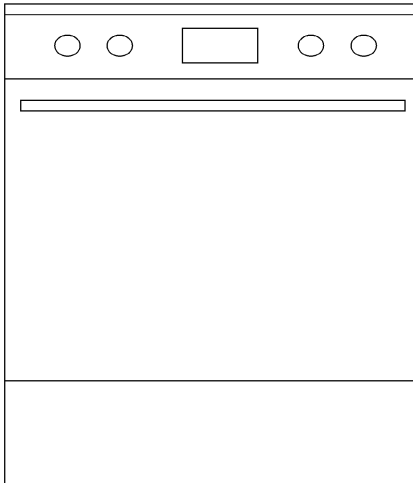
Духова шафа

Посібник користувача

Пеш

Пайдаланушы
нұсқаулығы

CSG 42001 W



Please read this user manual first!

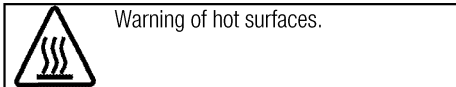
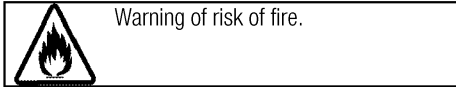
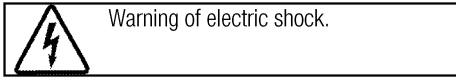
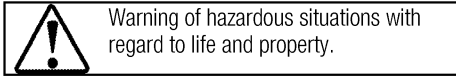
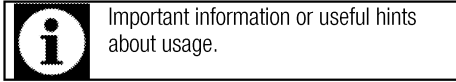
Dear Customer,

Thank you for purchasing this Beko product. We hope that you get the best results from your product which has been manufactured with high quality and state-of-the-art technology. Therefore, please read this entire user manual and all other accompanying documents carefully before using the product and keep it as a reference for future use. If you handover the product to someone else, give the user manual as well. Follow all warnings and information in the user manual.

Remember that this user manual is also applicable for several other models. Differences between models will be identified in the manual.

Explanation of symbols

Throughout this user manual the following symbols are used:



Arçelik A.Ş.
Karaağaç caddesi No:2-6
34445 Sütlüce/İstanbul/TURKEY
Made in TURKEY

1 Important instructions and warnings for safety and environment 4

General safety 4
 Safety when working with gas 4
 Product safety 5
 Intended use 6
 Safety for children 6
 Disposing of the old product 7
 Package information 7
 Future Transportation 7

2 General information 8

Overview 8
 Package contents 9
 Technical specifications 10
 Injector table 10

3 Installation 11

Before installation 11
 Installation and connection 11
 Gas conversion 12

4 Preparation 15

Tips for saving energy 15
 Initial use 15
 First cleaning of the appliance 15
 Initial heating 15

5 How to use the hob 16

General information about cooking 16
 Using the hobs 16

6 How to operate the oven 18

General information on baking, roasting 18
 How to use the gas oven 18
 Cooking times table 19

7 Maintenance and care 20

General information 20
 Cleaning the hob 20
 Cleaning the control panel 20
 Cleaning the oven 20
 Removing the oven door 20
 Removing the door inner glass 21

8 Troubleshooting 22

1 Important instructions and warnings for safety and environment

This section contains safety instructions that will help protect from risk of personal injury or property damage. Failure to follow these instructions shall void any warranty.

General safety

- This appliance can be used by children aged from 8 years and above and persons with reduced physical, sensory or mental capabilities or lack of experience and knowledge if they have been given supervision or instruction concerning use of the appliance in a safe way and understand the hazards involved.

Children shall not play with the appliance. Cleaning and user maintenance shall not be made by children without supervision.

- Never place the product on a carpet-covered floor. Otherwise, lack of airflow beneath the product will cause electrical parts to overheat. This will cause problems with your product.
- Installation and repair procedures must always be performed by Authorized Service Agents. The manufacturer shall not be held responsible for damages arising from procedures carried out by unauthorized persons which may

also void the warranty. Before installation, read the instructions carefully.

- Do not operate the product if it is defective or has any visible damage.
- Ensure that the product function knobs are switched off after every use.

Safety when working with gas

- Any works on gas equipment and systems may only be carried out by authorised qualified persons who are Gas Safe registered.
- Prior to the installation, ensure that the local distribution conditions (nature of the gas and gas pressure) and the adjustment of the appliance are compatible.
- This appliance is not connected to a combustion products or evacuation device. It shall be installed and connected in accordance with current installation regulations. Particular attention shall be given to the relevant requirements regarding ventilation; See *Before installation, page 11*
- The use of gas cooking appliance results in the production of heat and moisture in the room in which it is installed. Ensure that the kitchen is well ventilated: keep

natural ventilation holes open or install a mechanical ventilation device (mechanical extractor hood). Prolonged intensive use of the appliance may call for additional ventilation, for example increasing the level of the mechanical ventilation where present.

- Gas appliances and systems must be regularly checked for proper functioning. Regulator, hose and its clamp must be checked regularly and replaced within the periods recommended by its manufacturer or when necessary.
- Clean the gas burners regularly. The flames should be blue and burn evenly.
- Good combustion is required in gas appliances. In case of incomplete combustion, carbon monoxide (CO) might develop. Carbon monoxide is a colourless, odourless and very toxic gas, which has a lethal effect even in very small doses.
- Request information about gas emergency telephone numbers and safety measures in case of gas smell from your local gas provider.

What to do when you smell gas

- Do not use open flame or do not smoke. Do not operate any electrical buttons (e.g. lamp

button, door bell and etc.) Do not use fixed or mobile phones. Risk of explosion and toxication!

- Open doors and windows.
- Turn off all valves on gas appliances and gas meter at the main control valve, unless it's in a confined space or cellar.
- Check all tubes and connections for tightness. If you still smell gas leave the property.
- Warn the neighbours.
- Call the fire-brigade. Use a telephone outside the house.
- Do not re-enter the property until you are told it is safe to do so.

Product safety

- The appliance and its accessible parts become hot during use. Care should be taken to avoid touching heating elements. Children less than 8 years of age shall be kept away unless continuously supervised.
- Never use the product when your judgment or coordination is impaired by the use of alcohol and/or drugs.
- Be careful when using alcoholic drinks in your dishes. Alcohol evaporates at high temperatures and may cause fire since it can ignite when it comes into contact with hot surfaces.
- Do not place any flammable materials close to the product as

the sides may become hot during use.

- During use the appliance becomes hot. Care should be taken to avoid touching heating elements inside the oven.
- Keep all ventilation slots clear of obstructions.
- Do not heat closed tins and glass jars in the oven. The pressure that would build-up in the tin/jar may cause it to burst.
- Do not place baking trays, dishes or aluminium foil directly onto the bottom of the oven. The heat accumulation might damage the bottom of the oven.
- Do not use harsh abrasive cleaners or sharp metal scrapers to clean the oven door glass since they can scratch the surface, which may result in shattering of the glass.
- Do not use steam cleaners to clean the appliance as this may cause an electric shock.
- Do not use the product if the front door glass removed or cracked.
- Always use heat resistant oven gloves when putting in or removing dishes into/from the hot oven.
- Unattended cooking on a hob with fat or oil can be dangerous and may result in fire. NEVER try to extinguish a fire with water, but

switch off the appliance and then cover flame e.g. with a lid or a fire blanket.

- Danger of fire: Do not store items on the cooking surfaces.

Prevention against possible fire risk!

- Ensure all electrical connections are secure and tight to prevent risk of arcing.
- Do not use damaged cables or extension cables.
- Ensure liquid or moisture is not accessible to the electrical connection point.
- To prevent gas leakage ensure that the gas connection is sound.

Intended use

- This product is designed for domestic use. Commercial use will void the guarantee.
- This appliance is for cooking purposes only. It must not be used for other purposes, for example room heating.
- The manufacturer shall not be liable for any damage caused by improper use or handling errors.
- The oven can be used for defrosting, baking, roasting and grilling food.

Safety for children

- Accessible parts may become hot during use. Young children should be kept away.
- The packaging materials will be dangerous for children. Keep the

packaging materials away from children. Please dispose of all parts of the packaging according to environmental standards.

- Electrical and/or gas products are dangerous to children. Keep children away from the product when it is operating and do not allow them to play with the product.
- An additional protective means to avoid contact with the oven door is available. This part should be fitted when young children are likely to be present.
- Do not place any items above the appliance that children may reach for.
- When the door is open, do not load any heavy object on it and do not allow children to sit on it. It may overturn or door hinges may get damaged.

Disposing of the old product

Package information

- Packaging materials of the product are manufactured from recyclable materials in accordance with our National Environment Regulations. Do not dispose of the packaging materials together with the domestic or other wastes. Take them to the packaging material collection points designated by the local authorities.

Future Transportation

- Keep the product's original carton and transport the product in it. Follow the instructions on the carton. If you do not have the original carton, pack the product in bubble wrap or thick cardboard and tape it securely.
- To prevent the wire grill and tray inside the oven from damaging the oven door, place a strip of cardboard onto the inside of the oven door that lines up with the position of the trays. Tape the oven door to the side walls.
- Secure the caps and pan supports with adhesive tape.
- Do not use the door or handle to lift or move the product.



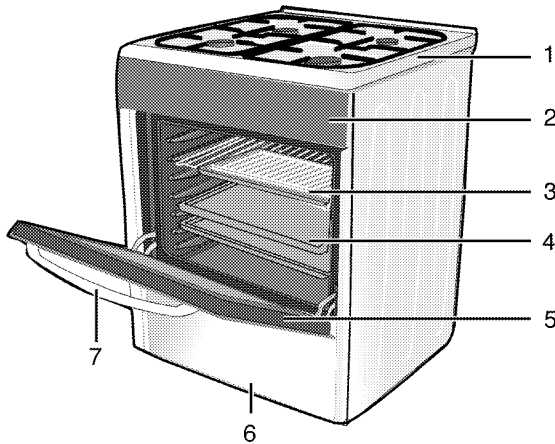
Do not place any objects onto the product and move it in upright position.



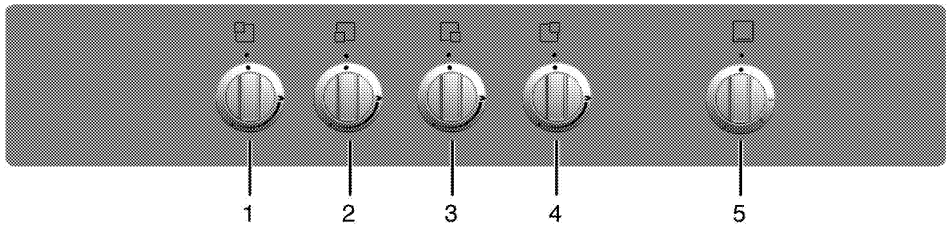
Check the general appearance of your product for any damages that might have occurred during transportation.

2 General information

Overview



- | | | | |
|---|---------------|---|------------|
| 1 | Burner plate | 5 | Front door |
| 2 | Control panel | 6 | Lower part |
| 3 | Wire shelf | 7 | Handle |
| 4 | Tray | | |



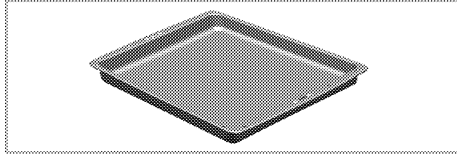
- | | |
|---|-----------------------------|
| 1 | Normal burner Rear left |
| 2 | Auxiliary burner Front left |
| 3 | Rapid burner Front right |
| 4 | Normal burner Rear right |
| 5 | Oven knob |

Package contents

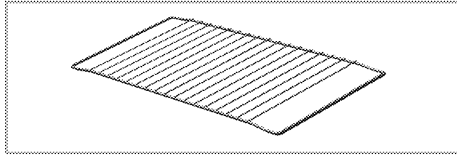


Accessories supplied can vary depending on the product model. Not every accessory described in the user manual may exist on your product.

1. **User manual**
2. **Oven tray**
Used for pastries, frozen foods and big roasts.

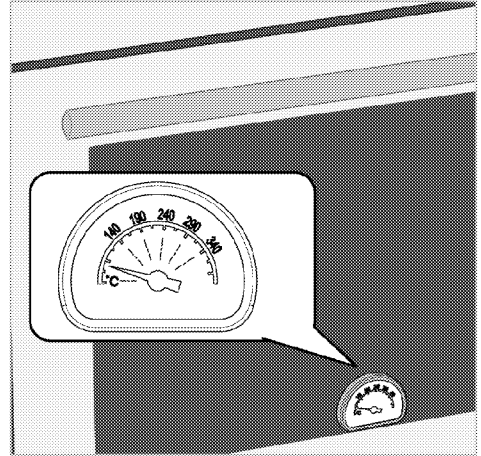


3. **Wire Shelf**
Used for roasting and for placing the food to be baked, roasted or cooked in casserole dishes to the desired rack.



Inner temperature indicator

Used for only informative about the inner temperature (°C) of oven.



Thermometer is located at the door. The value it shows is 20°C lower when compared to the temperature at the central point of the oven's cooking area.



Measurement tolerance of the thermometer is $\pm 12,5^{\circ}\text{C}$.

Technical specifications

| | |
|---|-----------------------------------|
| GENERAL | |
| External dimensions (height / width / depth) | 850 mm/500 mm/500 mm |
| Category of gas product | II 2H3B/P |
| Gas type / pressure | NG G 20/20 mbar |
| Total gas consumption | 9.5 kW |
| Converting the gas type / pressure ^S | LPG G 30/30 mbar |
| – optional | NG G 20/13 mbar - NG G 20/10 mbar |
| HOB | |
| Burners | |
| Rear left | Normal burner |
| Power | 2.0 kW |
| Front left | Auxiliary burner |
| Power | 1.0 kW |
| Front right | Rapid burner |
| Power | 2.5 kW |
| Rear right | Normal burner |
| Power | 2.0 kW |
| OVEN/GRILL | |
| Main oven | Gas oven |
| Gas consumption of oven | 2.0 kW |



Technical specifications may be changed without prior notice to improve the quality of the product.



Figures in this manual are schematic and may not exactly match your product.



Values stated on the product labels or in the documentation accompanying it are obtained in laboratory conditions in accordance with relevant standards. Depending on operational and environmental conditions of the product, these values may vary.

Injector table

| Position hob zone | 2.0 kW Rear left | 1.0 kW Front left | 2.5 kW Front right | 2.0 kW Rear right |
|-------------------------|---------------------|----------------------|-----------------------|----------------------|
| Gas type / Gas pressure | | | | |
| G 20/10 mbar | 125 | 90 | 145 | 125 |
| G 20/13 mbar | 116 | 84 | 123 | 116 |
| G 20/20 mbar | 103 | 72 | 125 | 103 |
| G 30/28-30 mbar | 72 | 50 | 80 | 72 |
| Gas type / Gas pressure | Gas oven | | | |
| G 20/10 mbar | 125 | | | |
| G 20/13 mbar | 116 | | | |
| G 20/20 mbar | 105 | | | |
| G 30/28-30 mbar | 71 | | | |

3 Installation

Product must be installed by a qualified person in accordance with the regulations in force. The manufacturer shall not be held responsible for damages arising from procedures carried out by unauthorized persons which may also void the warranty.



Preparation of location and electrical and gas installation for the product is under customer's responsibility.



DANGER:

The product must be installed in accordance with all local gas and/or electrical regulations.



DANGER:

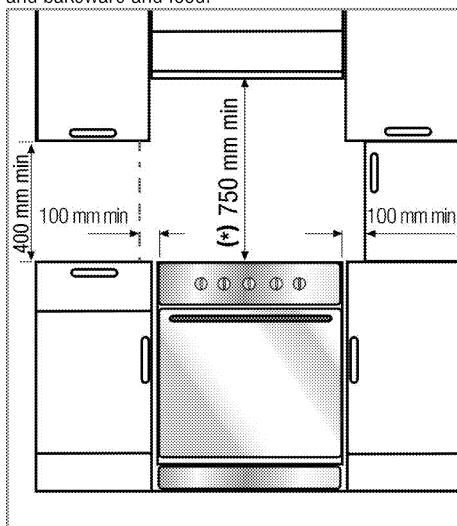
Prior to installation, visually check if the product has any defects on it. If so, do not have it installed.

Damaged products cause risks for your safety.

Before installation

To ensure that critical air gaps are maintained under the appliance, we recommend that this appliance is mounted on a solid base and that the feet do not sink into any carpet or soft flooring.

The kitchen floor must be able to carry the weight of the appliance plus the additional weight of cookware and bakeware and food.



- It can be used with cabinets on either side but in order to have a minimum distance of 400mm above hotplate level allow a side clearance of

65mm between the appliance and any wall, partition or tall cupboard.

- It can also be used in a free standing position. Allow a minimum distance of 750 mm above the hob surface.
- (*) If a cooker hood is to be installed above the cooker, refer to cooker hood manufacturer's instructions regarding installation height (min 650 mm).
- The appliance corresponds to device class 1, i.e. it may be placed with the rear and **one** side to kitchen walls, kitchen furniture or equipment of any size. The kitchen furniture or equipment on the **other** side may only be of the same size or smaller.
- Any kitchen furniture next to the appliance must be heat-resistant (100 °C min.).

Room ventilation

All rooms require an openable window, or equivalent, and some rooms will require a permanent vent as well. The air for combustion is taken from the room air and the exhaust gases are emitted directly into the room. Good room ventilation is essential for safe operation of your appliance. If there is no window or door available for room ventilation, an extra ventilation must be installed.

The appliance may be located in a kitchen, kitchen/diner or a bed-sitting room, but not in a room containing a bath or shower. The appliance must not be installed in a bed-sitting room of less than 20m³. Do not install this appliance in a room below ground level unless it is open to ground level on at least one side.

| Room size | Ventilation opening |
|---------------------------------------|--------------------------|
| smaller than 5 m ³ | min. 100 cm ² |
| 5 m ³ to 10 m ³ | min. 50 cm ² |
| greater than 10 m ³ | not required |
| In the cellar or basement | min. 65 cm ² |


Installation and connection

Product can only be installed and connected in accordance with the statutory installation rules.





Do not install the product next to refrigerators or freezers. The heat emitted by the product will increase the energy consumption of cooling appliances.

- Carry the product with at least two persons.
- Product must be placed directly on the floor. It must not be placed onto a base or a pedestal.


 Do not use the door and/or handle to carry or move the product. The door, handle or hinges get damaged.

Gas connection


 **DANGER:**
Product can be connected to gas supply system only by an authorised and qualified person or technician with licence. Risk of explosion or toxication due to unprofessional repairs!
Manufacturer shall not be held responsible for damages arising from procedures carried out by unauthorised or unlicensed persons.

 **DANGER:**
Before starting any work on the gas installation, disconnect the gas supply. There is the risk of explosion!

- Gas adjustment conditions and values are stated on labels (or ion type label).

 Your product is equipped for natural gas (NG).

- Natural gas installation must be prepared before installing the product.
- There must be a flex pipe at the outlet of the installation for the natural gas connection of your product and the tip of this pipe must be closed with a blind plug. Service Representative will remove the blind plug during connection and connect your product by means of a straight connection device (coupling).
- Make sure that the natural gas valve is readily accessible.
- If you need to use your product later with a different type of gas, you must consult the Authorised Service Agent for the related conversion procedure.

 **DANGER:**
The gas hose must not be clamped, bent or trapped or come into contact with hot parts of the product.
There is the risk of explosion due to damaged gas hose.


- Push the product towards the kitchen wall.
- **Adjusting the feet of oven**

Vibrations during use may cause cooking vessels to move. This dangerous situation can be avoided if the product is level and balanced.


For your own safety please ensure the product is level by adjusting the four feet at the bottom by turning left or right and align level with the work top.

Final check

1. Open gas supply.
2. Check gas installations for secure fitting and tightness.
3. Ignite burners and check appearance of the flame.

 Flame must be blue and have a regular shape. If the flame is yellowish, check if the burner cap is seated securely or clean the burner.


Gas conversion

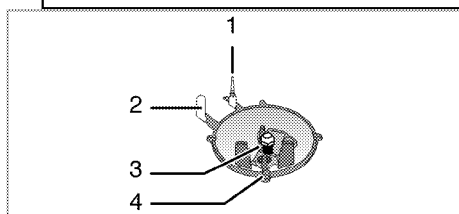
 **DANGER:**
Before starting any work on the gas installation, disconnect the gas supply. There is the risk of explosion!

In order to change your appliance's gas type, change all injectors and make flame adjustment for all valves at reduced flow rate position.

Exchange of injector for the burners

1. Take off burner cap and burner body.
2. Unscrew injectors by turning the counter-clockwise.
3. Fit new injectors.
4. Check all connections for secure fitting and tightness.

 New injectors have their position marked on their packing or injector table on *Injector table, page 10* can be referred to.



- 1 Flame failure device (model dependant)
- 2 Spark plug
- 3 Injector
- 4 Burner



Unless there is an abnormal condition, do not attempt to remove the gas burner taps. You must call an Authorised service agent if it is necessary to change the taps.

Reduced gas flow rate setting for hob taps

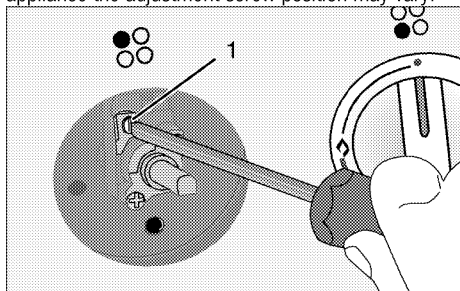
1. Ignite the burner that is to be adjusted and turn the knob to the reduced position.
2. Remove the knob from the gas tap.
3. Use an appropriately sized screwdriver to adjust the flow rate adjustment screw.

For LPG (Butane - Propane) turn the screw clockwise. For the natural gas, you should turn the screw counter-clockwise once.

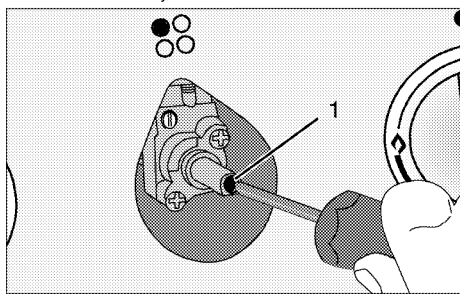
» The normal length of a straight flame in the reduced position should be 6-7 mm.

4. If the flame is higher than the desired position, turn the screw clockwise. If it is smaller turn anticlockwise.
5. For the last control, bring the burner both to high-flame and reduced positions and check whether the flame is on or off.

Depending on the type of gas tap used in your appliance the adjustment screw position may vary.



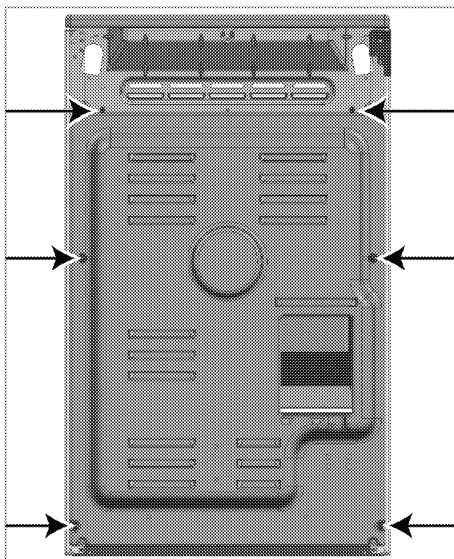
1 Flow rate adjustment screw



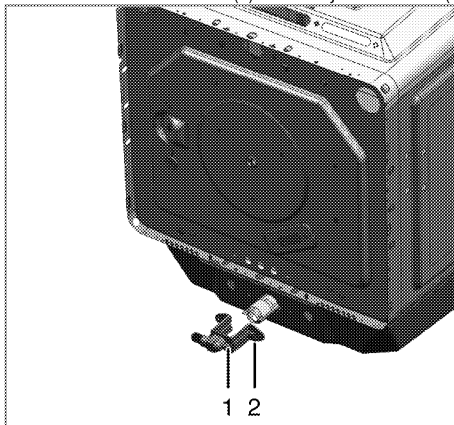
1 Flow rate adjustment screw

Exchange of injector for the oven

1. Unscrew fastening screws of the back wall.



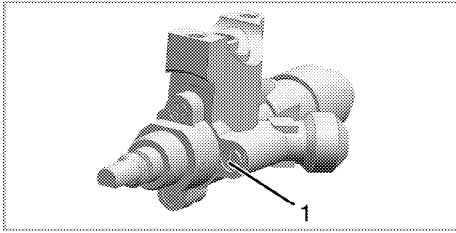
2. Unscrew the 2 screws (2) of the injector holder (1).



- 1 Injector holder
- 2 Screw
3. Pull out the injector holder.
4. Unscrew injector by turning to counter-clockwise direction.
5. Fit new injector.



If the gas type of the unit is changed, then the rating plate that shows the gas type of the unit must also be changed.



| Butan/propan | Natural gas |
|--|--|
| Tighten the screw by turning it clockwise until the end. | Loosen the screw |
| | 1/2 round |
| | A circular diagram with a vertical line and a horizontal line intersecting at the center. A curved arrow on the right side of the circle points clockwise. |

4 Preparation

Tips for saving energy

The following information will help you to use your appliance in an ecological way, and to save energy:

- Use dark coloured or enamel coated cookware in the oven since the heat transmission will be better.
- While cooking your dishes, perform a preheating operation if it is advised in the user manual or cooking instructions.
- Do not open the door of the oven frequently during cooking.
- Try to cook more than one dish in the oven at the same time whenever possible. You can cook by placing two cooking vessels onto the wire shelf.
- Cook more than one dish one after another. The oven will already be hot.
- Defrost frozen dishes before cooking them.
- Use pots/pans with cover for cooking. If there is no cover, energy consumption may increase 4 times.
- Select the burner which is suitable for the bottom size of the pot to be used. Always select the correct pot size for your dishes. Larger pots require more energy.

Initial use

First cleaning of the appliance



The surface might get damaged by some detergents or cleaning materials.

Do not use aggressive detergents, cleaning powders/creams or any sharp objects during cleaning.

Do not use harsh abrasive cleaners or sharp metal scrapers to clean the oven door glass since they can scratch the surface, which may result in shattering of the glass.

1. Remove all packaging materials.

2. Wipe the surfaces of the appliance with a damp cloth or sponge and dry with a cloth.

Initial heating

Heat up the product for about 30 minutes and then switch it off. Thus, any production residues or layers will be burnt off and removed.



WARNING

Hot surfaces cause burns!

Product may be hot when it is in use. Never touch the hot burners, inner sections of the oven, heaters and etc. Keep children away. Always use heat resistant oven gloves when putting in or removing dishes into/from the hot oven.

Gas oven

1. Take all baking trays and the wire grill out of the oven.
2. Close the oven door.
3. Select the highest flame of the gas oven; see *How to use the gas oven, page 18*.
4. Operate the oven about 30 minutes.
5. Turn off your oven; See *How to use the gas oven, page 18*



Smoke and smell may emit for a couple of hours during the initial operation. This is quite normal. Ensure that the room is well ventilated to remove the smoke and smell. Avoid directly inhaling the smoke and the smell that emits.

5 How to use the hob

General information about cooking



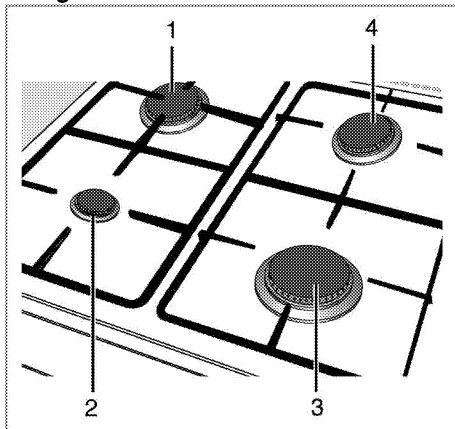
Never fill the pan with oil more than one third of it. Do not leave the hob unattended when heating oil. Overheated oils bring risk of fire. **Never attempt to extinguish a possible fire with water!** When oil catches fire, cover it with a fire blanket or damp cloth. Turn off the hob if it is safe to do so and call the fire department.

- Before frying foods, always dry them well and gently place into the hot oil. Ensure complete thawing of frozen foods before frying.
- Do not cover the vessel you use when heating oil.
- Place the pans and saucepans in a manner so that their handles are not over the hob to prevent heating of the handles. Do not place unbalanced and easily tilting vessels on the hob.
- Do not place empty vessels and saucepans on cooking zones that are switched on. They might get damaged.
- Operating a cooking zone without a vessel or saucepan on it will cause damage to the product. Turn off the cooking zones after the cooking is complete.
- As the surface of the product can be hot, do not put plastic and aluminum vessels on it. Such vessels should not be used to keep foods either.
- Use flat bottomed saucepans or vessels only.
- Put appropriate amount of food in saucepans and pans. Thus, you will not have to make any unnecessary cleaning by preventing the dishes from overflowing.
Do not put covers of saucepans or pans on cooking zones.
Place the saucepans in a manner so that they are centered on the cooking zone. When you want to move the saucepan onto another cooking zone, lift and place it onto the cooking zone you want instead of sliding it.

Gas cooking

- Size of the vessel and the flame must match each other. Adjust the gas flames so that they will not extend the bottom of the vessel and center the vessel on saucepan carrier.

Using the hobs



- 1 Normal burner 18-20 cm
- 2 Auxiliary burner 12-16cm
- 3 Rapid burner 20-22 cm
- 4 Normal burner 18-20 cm is list of advised diameter of pots to be used on related burners.

Large flame symbol indicates the highest cooking power and small flame symbol indicates the lowest cooking power. In turned off position (top), gas is not supplied to the burners.

Igniting the gas burners

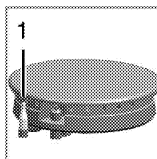
Burner is not equipped with automatic ignition. Use a lighter or match.

1. Keep burner knob pressed.
2. Turn it counter clockwise to large flame symbol.
3. Ignite the hob with lighter.
4. Adjust it to the desired cooking power.

Turning off the gas burners

Turn the knob to off (upper) position.

Gas shut off safety system (in models with thermic component)



1. Gas shut off safety

As a counter measure against blow out due to fluid overflows at burners, safety mechanism trips and shuts off the gas.

- Push the knob inwards and turn it counter clockwise to ignite.
- After the gas ignites, keep the knob pressed for 3-5 seconds more to engage the safety system.
- If the gas does not ignite after you press and release the knob, repeat the same procedure by keeping the knob pressed for 15 seconds.



DANGER:

Release the button if the burner is not ignited within 15 seconds.

Wait at least 1 minute before trying again.

There is the risk of gas accumulation and explosion!

6 How to operate the oven

General information on baking, roasting



WARNING

Hot surfaces cause burns!
Product may be hot when it is in use. Never touch the hot burners, inner sections of the oven, heaters and etc. Keep children away. Always use heat resistant oven gloves when putting in or removing dishes into/from the hot oven.



DANGER:

Be careful when opening the oven door as steam may escape.
Exiting steam can scald your hands, face and/or eyes.

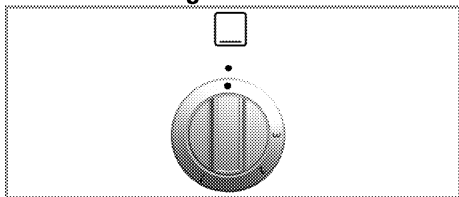
Tips for baking

- Use non-sticky coated appropriate metal plates or aluminum vessels or heat-resistant silicone moulds.
- Make best use of the space on the rack.
- Place the baking mould in the middle of the shelf.
- Select the correct rack position before turning the oven or grill on. Do not change the rack position when the oven is hot.
- Keep the oven door closed.

Tips for roasting

- Treating whole chicken, turkey and large piece of meat with dressings such as lemon juice and black pepper before cooking will increase the cooking performance.
- It takes about 15 to 30 minutes longer to roast meat with bones when compared to roasting the same size of meat without bones.
- Each centimeter of meat thickness requires approximately 4 to 5 minutes of cooking time.
- Let meat rest in the oven for about 10 minutes after the cooking time is over. The juice is better distributed all over the roast and does not run out when the meat is cut.
- Fish should be placed on the middle or lower rack in a heat-resistant plate.

How to use the gas oven

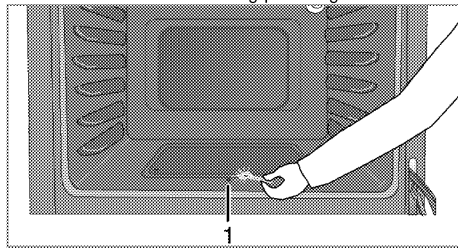


The gas oven is operated by the gas oven control knob. In off position (top) the gas supply is Off.

Switch on the gas oven

The gas oven is ignited with a gas lighter.

1. Open oven door.
2. Keep gas oven control knob pressed and turn it **counterclockwise**.
3. Ignite the gas with the gas lighter from the ignition control hole.
4. Keep the burner control pressed for 3 to 5 seconds.
 - » Be sure that gas has ignited and flame is present.
5. Keep the burner control pressed for another 3 to 5 seconds.
6. Select the desired baking power/ gas mark.



1 Ignition control hole



DANGER:

There is the risk of gas compression and explosion!

Do not attempt to ignite the gas more than 15 seconds. If the burner is not ignited within 15 seconds, turn off the knob and wait for 1 minute. Ventilate the room before reattempting to ignite the burner. There is the risk of gas compression and explosion!

Switch off the gas oven

1. Turn gas oven control knob to off position (top).
Gas level temperature chart

| Gas level | 1 | 2 | 3 |
|-------------------|-----|-----|-----|
| Temperature in °C | 170 | 280 | 284 |

Cooking times table



1st rack of the oven is the **bottom** rack.



Maximum load capacity of oven tray: 4 kg (8.8 lb).



The timings in this chart are meant as a guide. Timings may vary due to temperature of food, thickness, type and your own preference of cooking.

Stand dishes on a baking sheet to prevent spillages onto oven base and help keep oven clean.

Baking and roasting

| Food | Preheating * | Insertion level | Control knob position | Cooking time |
|-------------------|--------------|-----------------|-----------------------|----------------------------------|
| Apple pie | 10 min. | 4..5 | 1 | 25...30 min. |
| Fruit tart | 10 min. | 4..5 | 1 | 25...35 min. |
| Pie | 10 min. | 3..4 | 1 | 30...40 min. |
| Cookies | 10 min. | 4..5 | 1 | 25...35 min. |
| Pastry | 10 min. | 5 | 1 | 35...45 min. |
| Cake | 10 min. | 3 | 1 | 30...40 min. |
| Biscuits | — | 4..5 | 1 | 20...30 min. |
| Roast lamb | 10 min. | 4..5 | 1 | 35...45 min. per 450 g + 30 min. |
| Roast Beef | 10 min. | 2 | 1 | 50...60 min. per 450 g + 30 min. |
| Turkey | 10 min. | 3..4 | 1 | 50...60 min. per 450 g + 30 min. |
| Poultry | 10 min. | 3..4 | 1 | 30...40 min. per 450 g + 25 min. |
| Casseroles | — | 4 | 1 | 90...120 min. ^s |
| Fish | 10 min. | 3 | 1 | 35...45 min. |
| Macaroni | 10 min. | 3..4 | 1 | 35...40 min. |
| Small cakes | 10 min. | 4 | 1 | 30...35 min. |
| Victoria sandwich | 10 min. | 3 | 1 | 22...28 min. |

* at control knob position 2 / ^s depending on quantity / * depending on size

7 Maintenance and care

General information

Service life of the product will extend and the possibility of problems will decrease if the product is cleaned at regular intervals.

**DANGER:**

Disconnect the product from mains supply before starting maintenance and cleaning works.

There is the risk of electric shock!

**DANGER:**

Allow the product to cool down before you clean it.

Hot surfaces may cause burns!

- Clean the product thoroughly after each use. In this way it will be possible to remove cooking residues more easily, thus avoiding these from burning the next time the appliance is used.
- No special cleaning agents are required for cleaning the product. Use warm water with washing liquid, a soft cloth or sponge to clean the product and wipe it with a dry cloth.
- Always ensure any excess liquid is thoroughly wiped off after cleaning and any spillage is immediately wiped dry.
- Do not use cleaning agents that contain acid or chloride to clean the stainless or inox surfaces and the handle. Use a soft cloth with a liquid detergent (not abrasive) to wipe those parts clean, paying attention to sweep in one direction.



The surface might get damaged by some detergents or cleaning materials.

Do not use aggressive detergents, cleaning powders/creams or any sharp objects during cleaning.

Do not use harsh abrasive cleaners or sharp metal scrapers to clean the oven door glass since they can scratch the surface, which may result in shattering of the glass.



Do not use steam cleaners to clean the appliance as this may cause an electric shock.

Cleaning the hob

Gas hobs

1. Remove and clean the saucepan carriers and burner caps.
2. Clean the hob.

3. Install the burner caps and make sure that they are seated correctly.
4. When installing the upper grills, pay attention to place the saucepan carriers so that the burners are centered.

Cleaning the control panel

Clean the control panel and knobs with a damp cloth and wipe them dry.



Do not remove the control buttons/knobs to clean the control panel.

Control panel may get damaged!

Cleaning the oven

Clean oven door

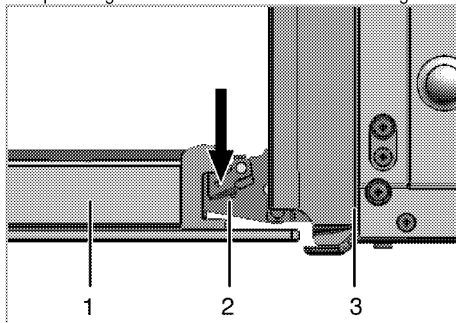
To clean the oven door, use warm water with washing liquid, a soft cloth or sponge to clean the product and wipe it with a dry cloth.



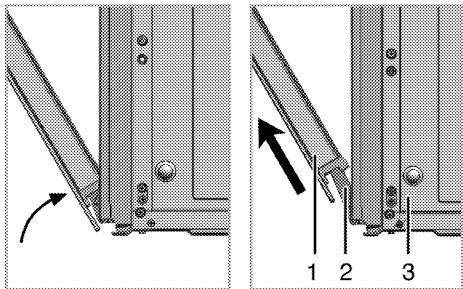
Don't use any harsh abrasive cleaners or sharp metal scrapers for cleaning the oven door. They could scratch the surface and destroy the glass.

Removing the oven door

1. Open the front door (1).
2. Open the clips at the hinge housing (2) on the right and left hand sides of the front door by pressing them down as illustrated in the figure.



- 1 Front door
- 2 Hinge
- 3 Oven



3. Move the front door to half-way.
4. Remove the front door by pulling it upwards to release it from the right and left hinges.

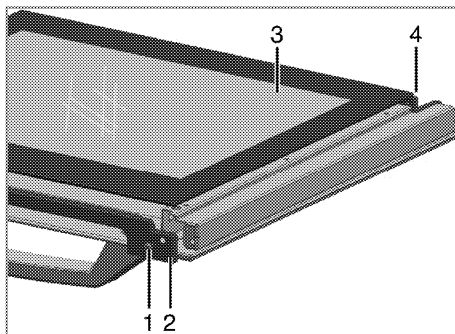


Steps carried out during removing process should be performed in reverse order to install the door. Do not forget to close the clips at the hinge housing when reinstalling the door.

Removing the door inner glass

The inner glass panel of the oven door can be removed for cleaning.

1. Open the oven door.



- | | |
|--|---|
| <ol style="list-style-type: none"> 1 2 3 4 | <p>Screw</p> <p>Profile</p> <p>Inner glass pane</p> <p>Plastic slot</p> |
|--|---|
2. Take out the screw(1) with a screwdriver
 3. Take out the profile (2) than hold up to inner glass (3).
 4. Then group the door again, put the glass pane (3) to the plastic slots (4) and group the profile.

8 Troubleshooting

Oven emits steam when it is in use.

- It is normal that steam escapes during operation. >>> *This is not a fault.*

Product emits metal noises while heating and cooling.

- When the metal parts are heated, they may expand and cause noise. >>> *This is not a fault.*

There is no ignition spark.

- No current. >>> *Check fuses in the fuse box.*

There is no gas.

- Main gas valve is closed. >>> *Open gas valve.*
- Gas pipe is bent. >>> *Install gas pipe properly.*

Burners are not burning properly or at all.

- Burners are dirty. >>> *Clean burner components.*
- Burners are wet. >>> *Dry the burner components.*
- Burner cap is not mounted safely. >>> *Mount the burner cap properly.*
- Gas valve is closed. >>> *Open gas valve.*
- Gas cylinder is empty (when using LPG). >>> *Replace gas cylinder.*



Consult the Authorised Service Agent or technician with licence or the dealer where you have purchased the product if you can not remedy the trouble although you have implemented the instructions in this section. Never attempt to repair a defective product yourself.

Arcelik A.S.

Karaağaç Caddesi No:2-6 Sütlüce, 34445, Turkey

Made in TURKEY

Importer in Russia: «BEKO LLC»

Address: Selskaya street, 49, Fedorovskoe village, Pershinskoe rural settlement, Kirzhach district, Vladimir region, Russian Federation 601021

The manufacture date is included in the serial number of a product specified on rating label, which is located on a product, namely: first two figures of serial number indicate the year of manufacture, and last two – the month.

For example, "10- 100001-05» indicates that the product was produced in May, 2010.

You can ask for certification number from our Call Center 8-800-200-23-56 The manufacturer reserves the right for making changes in modification, design and specification of an electric device.

Перед началом эксплуатации прочитайте это руководство пользователя!

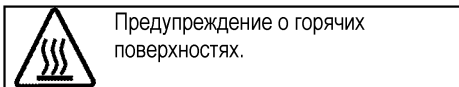
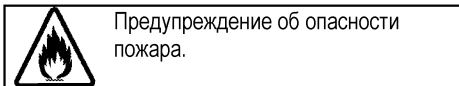
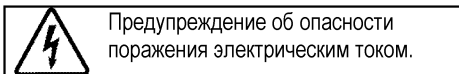
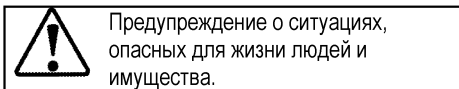
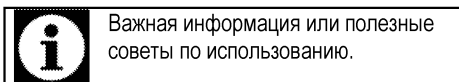
Уважаемый покупатель!

Спасибо за то, что отдали предпочтение продукции компании «Веко». Надеемся, что это высококачественное изделие, изготовленное с применением самых современных технологий, будет демонстрировать наилучшие результаты эксплуатации. Для этого перед началом эксплуатации внимательно прочитайте это руководство и всю сопутствующую документацию и используйте его в дальнейшем в качестве справочника. Если вы передаете изделие новому владельцу, передайте ему и руководство пользователя. Придерживайтесь всех предупреждений и информации, содержащихся в руководстве.

Помните, что данное руководство пользователя также может быть применимо к некоторым другим моделям. Различия между моделями будут указаны в руководстве.

Пояснения к символам

В данном руководстве пользователя используются следующие символы:



| | | |
|-----------------|--|------------------|
| <u>1</u> | <u>Важные инструкции и предупреждения по технике безопасности и охране окружающей среды</u> | <u>4</u> |
| | Общие правила техники безопасности | 4 |
| | Правила техники безопасности при работе с газовым оборудованием..... | 4 |
| | Безопасность изделия | 6 |
| | Использование по назначению | 8 |
| | Безопасность детей | 8 |
| | Утилизация старого изделия..... | 8 |
| | Утилизация упаковочных материалов | 8 |
| | Для будущей транспортировки | 9 |
| <u>2</u> | <u>Общие сведения</u> | <u>10</u> |
| | Обзор | 10 |
| | Содержание упаковки | 11 |
| | Технические характеристики..... | 12 |
| | Характеристики горелок..... | 12 |
| <u>3</u> | <u>Установка</u> | <u>13</u> |
| | До начала установки | 13 |
| | Установка и подключение | 14 |
| | Переход на другой вид газа | 15 |
| <u>4</u> | <u>Подготовка к эксплуатации</u> | <u>18</u> |
| | Рекомендации по экономии электроэнергии | 18 |
| | Подготовка к эксплуатации | 18 |
| | Очистка прибора перед началом эксплуатации | 18 |
| | Первоначальный прогрев | 18 |
| <u>5</u> | <u>Правила эксплуатации варочной панели</u> | <u>19</u> |
| | Общие сведения о приготовлении пищи | 19 |
| | Эксплуатация варочных панелей | 19 |
| <u>6</u> | <u>Правила эксплуатации духовки</u> | <u>21</u> |
| | Общие сведения о выпекании, жарении | 21 |
| | Правила эксплуатации газовой духовки..... | 21 |
| | Время приготовления блюд | 22 |
| <u>7</u> | <u>Уход и техническое обслуживание</u> | <u>23</u> |
| | Общие сведения..... | 23 |
| | Чистка варочной панели..... | 23 |
| | Чистка панели управления | 23 |
| | Чистка духовки | 23 |
| | Снятие дверцы духового шкафа | 23 |
| | Снятие внутреннего стекла дверцы | 24 |
| <u>8</u> | <u>Поиск и устранение неисправностей</u> | <u>25</u> |

1 Важные инструкции и предупреждения по технике безопасности и охране окружающей среды

В данном разделе содержатся инструкции по технике безопасности, которые помогут вам избежать травм и повреждений. При несоблюдении этих правил все гарантийные обязательства аннулируются.

Общие правила техники безопасности

- Это изделие может эксплуатироваться детьми старше 8 лет и людьми с ограниченными физическими, сенсорными или умственными способностями, а также лицами, не имеющими достаточного опыта и знаний, только в том случае, если они находятся под наблюдением лиц, ответственных за их безопасность, или проинструктированы на предмет безопасного использования изделия и осознают связанные с этим риски.

Следите за тем, чтобы дети не играли с устройством. Дети могут чистить и обслуживать устройство только под наблюдением.

- Не устанавливайте устройство на ковровом покрытии.

Недостаточная вентиляция под днищем устройства может привести к перегреву электрических деталей и проблемам в работе изделия.

- Работы по установке и ремонту должны выполняться только представителями авторизованной сервисной службы. Производитель не несет ответственности за повреждения в результате выполнения работ лицами, не имеющими соответствующей квалификации. Это также может привести к аннулированию гарантии. Перед установкой внимательно прочтите инструкции.
- Не пользуйтесь неисправным изделием, а также при наличии на нем заметных повреждений.
- Проверяйте, чтобы после каждого использования переключатели функций изделия были выключены.

Правила техники безопасности при работе с газовым оборудованием

- Все работы с газовыми приборами и системами должны выполняться только

квалифицированные специалисты, имеющие право на выполнение таких работ.

- Перед установкой проверьте, соответствуют ли параметры местной распределительной сети (давление и тип газа) настройкам прибора.
- Это устройство не подсоединяется к устройству для удаления продуктов горения. Это устройство не подсоединяется к устройству для удаления продуктов горения. Установка и подключение прибора должны выполняться в соответствии с действующими нормами и правилами. Особое внимание следует уделить требованиям к вентиляции (см. раздел *До начала установки, стр. 13*).
- Во время эксплуатации газовой плиты она выделяет тепло, влагу и продукты сгорания в помещении, в котором установлена. Убедитесь, что кухня хорошо проветривается, в особенности во время использования прибора: держите открытыми отверстия, через которые осуществляется естественная вентиляция, или установите прибор для искусственной вентиляции

(механическую надплитную вытяжку). Длительное интенсивное использование прибора может требовать дополнительной вентиляции, например, увеличения уровня мощности механической вытяжки, если она имеется.

- Необходимо регулярно проверять исправность газовых приборов и систем. Регулятор, шланг и его хомут следует проверять регулярно и заменять в сроки, рекомендованные производителем, или по мере необходимости.
- Регулярно очищайте газовые горелки. Горелка должна гореть ровным голубым пламенем.
- В газовых приборах необходимо обеспечить полное сжигание газа, так как при неполном сгорании газа выделяется угарный газ (CO). Угарный газ (монооксид углерода) - это очень ядовитый бесцветный газ без запаха, который даже в очень малых дозах вызывает отравление и смерть.
- Узнайте у своего поставщика газа телефон местной аварийной службы газа, а также ознакомьтесь с мерами

предосторожности, которые необходимо предпринимать при обнаружении запаха газа.

Меры предосторожности при обнаружении запаха газа

- Не пользуйтесь открытым пламенем и не курите. Не пользуйтесь электрическими выключателями (например, выключателем освещения, дверным звонком и т.д.). Не пользуйтесь стационарными и мобильными телефонами. Остерегайтесь взрыва и отравления газом!
- Перекройте все краны газовых приборов и газовых счетчиков
- Откройте окна и двери.
- Проверьте все трубы и соединения на герметичность. Если запах газа не исчезает, покиньте помещение.
- Предупредите соседей.
- Вызовите пожарную команду. Звоните по телефонному аппарату, который находится за пределами дома.
- Не входите в помещение, пока вам не сообщат, что это безопасно.

Безопасность изделия

- Данное изделие и его внешние части нагреваются в процессе использования. Будьте осторожны, не касайтесь

нагревательных элементов. Детей младше 8 лет следует допускать к духовому шкафу только под постоянным присмотром взрослых.

- Не пользуйтесь прибором, находясь под воздействием алкоголя или лекарственных препаратов, снижающих скорость реакции или нарушающих координацию движений.
- Будьте осторожны при использовании спиртных напитков в приготавливаемых блюдах. При высокой температуре спирт испаряется и при соприкосновении с горячими поверхностями может загореться и вызвать пожар.
- Не располагайте рядом с прибором легковоспламеняющиеся материалы, так как во время работы его боковые поверхности могут сильно нагреваться.
- Во время работы устройство может нагреваться. Будьте осторожны, не касайтесь нагревательных элементов внутри духового шкафа.
- Следите за тем, чтобы вентиляционные отверстия были полностью открыты.

- Не разогревайте в духовом шкафу продукты в закрытых жестяных или стеклянных банках. Внутри банок может повыситься давление, что приведет к взрыву.
 - Не ставьте противни или посуду непосредственно на дно духового шкафа, а также не кладите на него алюминиевую фольгу. Избыточное тепло может привести к повреждению дна духового шкафа.
 - Не используйте для чистки стеклянной дверцы духового шкафа грубые абразивные чистящие средства или острые металлические скребки, чтобы не поцарапать поверхность, поскольку это может привести к разрушению стекла.
 - Не используйте для чистки устройства пароочистители, поскольку это может привести к поражению электрическим током.
 - Не пользуйтесь духовым шкафом, если стекло в передней дверце потрескалось или вынуто.
 - Помещая продукты в горячий духовой шкаф или вынимая их оттуда, обязательно пользуйтесь термостойкими рукавицами.
 - При приготовлении пищи с жиром или маслом не оставляйте варочную панель без присмотра, поскольку это может привести к возгоранию. Категорически ЗАПРЕЩАЕТСЯ гасить такое пламя водой; следует выключить устройство и накрыть огонь, например, крышкой или противопожарным покрытием.
 - Опасность пожара: не храните предметы на конфорках.
- Для обеспечения пожарной безопасности изделия соблюдайте нижеуказанные правила.
- Убедитесь, что вилка плотно вставлена в розетку и не искрит.
 - Запрещается использовать поврежденный либо обрезанный кабель, а также удлинитель; можно пользоваться только оригинальным кабелем.
 - Убедитесь, что в розетке, к которой подключается изделие, отсутствуют жидкость или влага.
 - Убедитесь, что подключение газа выполнено таким образом, чтобы исключить утечку газа.

Использование по назначению

- Данное изделие предназначено исключительно для бытового использования. Запрещается использовать прибор в коммерческих целях.
- Данное изделие предназначено исключительно для приготовления пищи. Его запрещено использовать для других целей, например, для обогрева помещения."
- Производитель не несет ответственности за повреждения в результате использования изделия не по назначению или неправильного обращения с ним.
- Духовой шкаф можно использовать для размораживания, выпекания, жарения и приготовления продуктов на гриле.

Безопасность детей

- Доступные части прибора могут сильно нагреваться при использовании. Не допускайте к ним детей.
- Упаковочные материалы опасны для детей. Храните упаковочные материалы в недоступном для детей месте. Утилизируйте все упаковочные материалы в соответствии с

нормами по охране окружающей среды.

- Электрическое и/или газовое оборудование представляют опасность для детей. Во время работы духового шкафа не допускайте к нему детей, а также не разрешайте им играть с ним.
- Доступны дополнительные защитные средства для предотвращения контакта с дверцей духовки. Этот компонент следует установить, если маленькие дети могут находиться в помещении.
- Не размещайте над прибором предметы, которые дети могут попытаться достать.
- Не ставьте на открытую дверцу тяжелые предметы и не позволяйте детям садиться на нее, Духовой шкаф может перевернуться, а также могут быть повреждены петли дверцы.

Утилизация старого изделия

Утилизация упаковочных материалов

- Упаковочные материалы опасны для детей. Храните упаковочные материалы в безопасном и недоступном для детей месте. Упаковочные материалы изделия изготовлены из материалов, подлежащих вторичной переработке. Утилизируйте их соответствующим образом и сортируйте согласно инструкций по обращению с отходами, подлежащими вторичной переработке. Не утилизируйте их вместе с обычными бытовыми отходами.

Для будущей транспортировки

- Сохраните оригинальную упаковочную коробку и перевозите прибор в ней. Следуйте указаниям, нанесенным на упаковке. Если оригинальная упаковочная коробка не сохранилась, заверните изделие в пузырчатую упаковку или поместите в плотный картон. Надежно заклейте клейкой лентой.
- Чтобы проволочная решетка и противень, которые хранятся внутри духовки, не повредили дверцу, поместите с внутренней стороны дверцы картонную полоску вровень

с противнями. Прикрепите дверцу духового шкафа к боковым стенкам клейкой лентой.

- Закрепите накладки горелок и подставки для посуды клейкой лентой.
- Не поднимайте и не передвигайте духовой шкаф, держась за дверцу или за ручку дверцы.



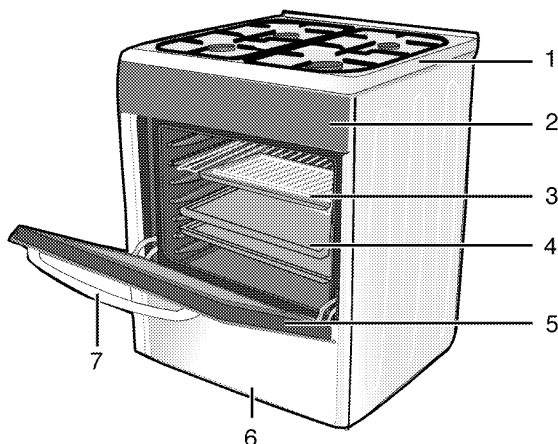
Не размещайте на приборе никаких предметов и не ставьте его вертикально.



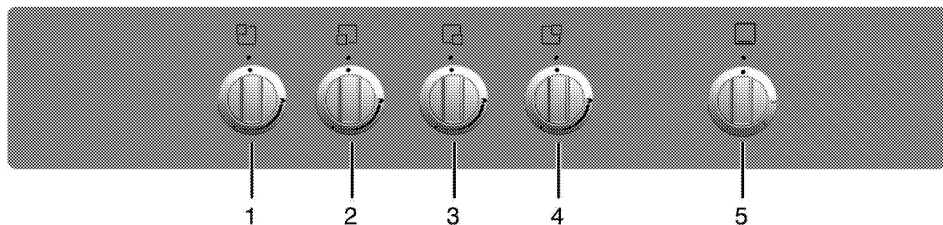
Осмотрите прибор снаружи на предмет возможных повреждений при транспортировке.

2 Общие сведения

Обзор



- | | | | |
|---|---------------------|---|-----------------|
| 1 | Крышка конфорки | 5 | Передняя дверца |
| 2 | Панель управления | 6 | Нижняя часть |
| 3 | Проволочная решетка | 7 | Ручка дверцы |
| 4 | Противень | | |



- | | |
|---|---|
| 1 | Нормальная конфорка Задняя левая |
| 2 | Дополнительная конфорка Передняя левая |
| 3 | Конфорка быстрого нагрева Передняя правая |
| 4 | Нормальная конфорка Задняя правая |
| 5 | Ручка духового шкафа |

Содержание упаковки

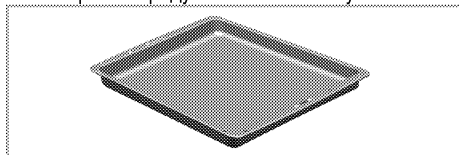


Изделие комплектуется различным набором дополнительных принадлежностей в зависимости от модели. Некоторые дополнительные принадлежности, описанные в руководстве пользователя, в комплекте этого изделия могут отсутствовать.

1. Руководство пользователя

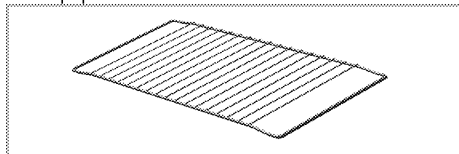
2. Противень

Предназначен для выпечки изделий из теста, размораживания замороженных продуктов и жарения продуктов большими кусками.



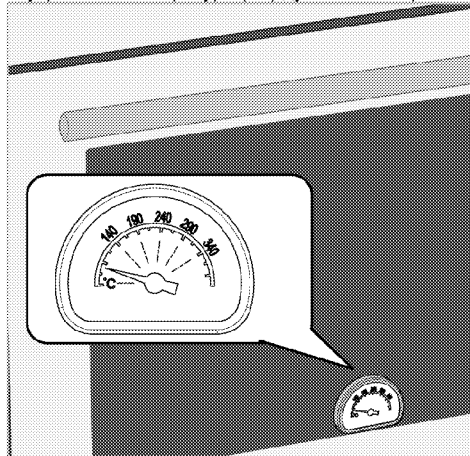
3. Проволочная решетка

Предназначена для жарения, а также для размещения продуктов на нужной полке при выпечке, жарении или приготовлении в формах.



Индикатор внутренней температуры

Используется только для информирования о внутренней температуре (°C) духового шкафа.



Термометр расположен на дверце.

Показываемая им температура на 20°C ниже температуры в центральной точке области приготовления печи.



Погрешность термометра составляет $\pm 12,5^{\circ}\text{C}$.

Технические характеристики

| ОБЩИЕ СВЕДЕНИЯ | |
|---|-----------------------------------|
| Габариты (высота / ширина / глубина) | 850 мм/500 мм/500 мм |
| Категория газового прибора | II 2H3B/P |
| Тип газа/давление | NG G 20/20 мбар |
| Общий расход газа | 9.5 кВт |
| Переход на тип газа/давление [§] | LPG G 30/30 мбар |
| – дополнительно | NG G 20/13 мбар - NG G 20/10 мбар |
| ВАРОЧНАЯ ПАНЕЛЬ | |
| Конфорки | |
| Задняя левая | Нормальная конфорка |
| Мощность | 2.0 кВт |
| Передняя левая | Дополнительная конфорка |
| Мощность | 1.0 кВт |
| Передняя правая | Конфорка быстрого нагрева |
| Мощность | 2.5 кВт |
| Задняя правая | Нормальная конфорка |
| Мощность | 2.0 кВт |
| ДУХОВКА/ГРИЛЬ | |
| Главный духовой шкаф | Газовая духовка |
| Духовка: расход газа | 2.0 кВт |

Степень защиты IP 00



При усовершенствовании качества продукции технические характеристики могут быть изменены без предварительного уведомления.



Иллюстрации в данном руководстве являются схематичными и могут несколько отличаться от конкретного изделия.




Значения, указанные на этикетках изделия или в сопроводительной документации, получены в лабораторных условиях согласно соответствующим стандартам. Эти данные могут быть иными в зависимости от условий эксплуатации изделия.

Характеристики горелок

| Расположение конфорки Тип газа / давление | 2.0 кВт Задняя левая | 1.0 кВт Передняя левая | 2.5 кВт Передняя правая | 2.0 кВт Задняя правая |
|--|-------------------------|---------------------------|----------------------------|--------------------------|
| | G 20/10 мбар | 125 | 90 | 145 |
| G 20/13 мбар | 116 | 84 | 123 | 116 |
| G 20/20 мбар | 103 | 72 | 125 | 103 |
| G 30/28-30 мбар | 72 | 50 | 80 | 72 |
| Тип газа / давление | | Газовая духовка | | |
| G 20/10 мбар | | 125 | | |
| G 20/13 мбар | | 116 | | |
| G 20/20 мбар | | 105 | | |
| G 30/28-30 мбар | | 71 | | |

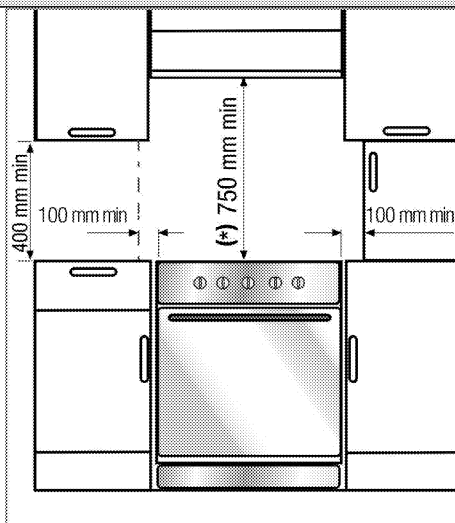
3 Установка

Прибор должен устанавливаться квалифицированным специалистом в соответствии с действующими нормами и правилами. В противном случае гарантия аннулируется. Производитель не несет ответственности за повреждения в результате выполнения работ лицами, не имеющими соответствующей квалификации. Это может привести к аннулированию гарантии.

| | |
|--|--|
|  | Подготовка места установки, электрического и газового оборудования обеспечивается покупателем. |
|  | ОПАСНО: Бытовой прибор следует устанавливать в соответствии со всеми местными нормами по подключению газового и/или электрического оборудования. |
|  | ОПАСНО: Прежде чем приступить к установке, визуально проверьте отсутствие внешних дефектов духового шкафа. При наличии дефектов не устанавливайте его. Поврежденные электроприборы представляют собой угрозу вашей безопасности. |

До начала установки

Для того чтобы обеспечить наличие необходимых зазоров для циркуляции воздуха под плитой, рекомендуем устанавливать ее на твердом основании так, чтобы ножки не погружались в ковер или мягкое напольное покрытие. Кухонный пол должен выдерживать вес прибора с учетом веса посуды и продуктов.



- Ее можно использовать с кухонными шкафами с обеих сторон, однако следует оставить свободное пространство минимум 400 мм над уровнем конфорок, а также боковое свободное пространство не менее 65 мм между плитой и стеной, перегородкой или высоким кухонным шкафом.
- Плита может также стоять отдельно. Обеспечьте свободное расстояние не менее 750 мм от поверхности плиты до поверхностей над ней.
- В случае установки надплитного воздухоочистителя соблюдайте инструкции его производителя в отношении высоты монтажа устройства (мин. 650 мм).
- Это устройство соответствует требованиям к приборам класса 1, и его можно устанавливать так, чтобы задняя и **одна** из боковых стенок примыкали к стенам помещения, стенкам кухонных шкафчиков или бытовых приборов любой высоты. Кухонная мебель или бытовые приборы, примыкающие с **другой** стороны, должны быть не выше прибора.
- Вся кухонная мебель, рядом с которой устанавливается устройство, должна быть термостойкой (не менее 100 °С).

Вентиляция помещения

В помещении должно быть открывающееся окно, а в некоторых помещениях необходимо также наличие постоянной вентиляции.

Забор воздуха для процесса горения производится в помещении, и уходящие газы выделяются непосредственно в помещение. Поэтому для безопасной эксплуатации устройства необходимо обеспечить хорошую вентиляцию помещения. Если в помещении нет окна или двери, пригодных для вентиляции, необходимо установить дополнительные средства вентиляции.

Устройство может устанавливаться в кухне, в кухне-столовой или в жилой комнате, но не в помещении с ванной или душем. Плиты запрещается устанавливать в жилой комнате площадью менее 20 м².³

Не устанавливайте плиту в помещении, находящемся ниже уровня поверхности, если оно не выходит на уровень поверхности хотя бы одной стороной.

| Размер помещения | Вентиляционный проем |
|---------------------------------------|------------------------------|
| менее 5 м ³ | не менее 100 см ² |
| 5 м ³ до 10 м ³ | не менее 50 см ² |
| более 10 м ³ /ден | не требуется |
| В подвальном помещении | не менее 65 см ² |

Установка и подключение

Прибор следует устанавливать и подключать в соответствии с действующими нормами и правилами.



Не устанавливайте изделие рядом с холодильником или морозильной камерой. Поскольку духовой шкаф излучает тепло, холодильники будут потреблять больше электроэнергии.

- Переносить прибор должны не менее двух человек.
- Прибор следует устанавливать прямо на пол. Не устанавливайте прибор на подставки.



Не перемещайте устройство, держась за дверцу и/или за ручку дверцы. Дверца, ручка или петли могут повредиться.

Подключение газа



ОПАСНО:

Подключение прибора к электрической сети должен выполнять квалифицированный специалист, имеющий право на выполнение таких работ. Непрофессиональный ремонт может привести к взрыву или отравлению газом! Производитель не несет ответственности за повреждения в результате выполнения работ лицами, не имеющими соответствующей квалификации.



ОПАСНО:

Перед выполнением каких-либо работ по монтажу газовых приборов перекройте подачу газа. Это может привести к взрыву!

- Тип и давление газа, на которые отрегулирован прибор, указаны на паспортной таблице или маркировке.



На ваше изделие может подаваться природный газ (NG).

- Перед установкой прибора необходимо подготовить подвод природного газа.
- К выпускному отверстию источника газа должна быть присоединена гибкая подводка для подвода газа к прибору, закрытая заглушкой. При установке прибора представитель службы газа вынет заглушку и присоединит прибор к газовой сети с помощью муфты.
- Газовый вентиль должен находиться в легкодоступном месте.
- Если впоследствии возникнет необходимость перевести прибор на другой вид газа, обратитесь в фирменный сервисный центр для получения консультации о том, как выполнить такой переход.



ОПАСНО:

Газовый шланг не должен быть сдавлен, изогнут или зажат, а также не должен соприкасаться с нагревающимися компонентами изделия. Поврежденный газовый шланг может привести к взрыву.

- Придвиньте прибор к стене кухни.

• Регулирование ножек духовки

При наличии вибрации посуда во время приготовления может сдвигаться. Для предотвращения опасных ситуаций необходимо, чтобы прибор стоял ровно и устойчиво.

В целях безопасности, выровняйте прибор с помощью 4 регулируемых ножек ножки. Для этого поворачивайте их влево и вправо до тех пор, пока прибор не будет ровно стоять на столешнице.

Окончательная проверка

1. Откройте подачу газа.
2. Проверьте места подключения газа на надежность закрепления и герметичность.
3. Зажгите горелки и проверьте внешний вид пламени.



Пламя должно быть голубым и иметь обычную форму. Если пламя имеет желтоватый оттенок, проверьте положение накладки горелки или прочистите горелку.

Переход на другой вид газа



ОПАСНО:

Перед выполнением каких-либо работ по монтажу газовых приборов перекройте подачу газа.
Это может привести к взрыву!

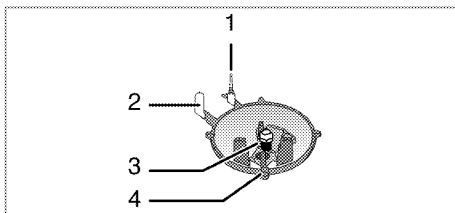
Для перехода на другой вид газа необходимо заменить все форсунки прибора и отрегулировать все краны для уменьшения подачи газа.

Замена форсунок в горелках

1. Снимите накладку горелки и выньте корпус горелки.
2. Вывинтите форсунки, поворачивая против часовой стрелки.
3. Вставьте новые форсунки.
4. Проверьте соединения на надежность закрепления и герметичность.



Расположение новых форсунок указано на упаковке или в таблице на *Характеристики горелок, стр. 12*.



- 1 Устройство газ-контроля (в зависимости от модели)
- 2 Свеча зажигания
- 3 Форсунка
- 4 Горелка



Не снимайте газовые краны горелок без особой необходимости. В случае необходимости замены кранов обращайтесь только в фирменный сервисный центр.

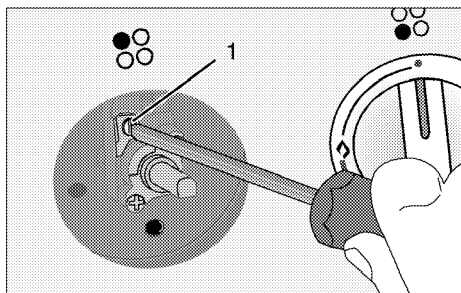
Регулировка газовых кранов для уменьшения подачи газа

1. Зажгите горелку, которую нужно отрегулировать, и установите ручку регулятора в положение минимального пламени.
2. Снимите ручку регулятора с газового крана.
3. К винту регулировки подачи газа применяйте отвертку соответствующего размера.

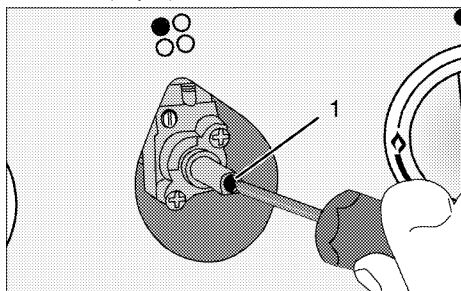
Для сжиженного нефтяного газа (бутан-пропан) следует повернуть винт по часовой стрелке. Для природного газа следует повернуть винт на один оборот **против часовой стрелки**.

- » Нормальная высота прямого пламени при установке регулятора в положение минимального пламени должна составлять 6-7 мм.
4. Если пламя выше, чем нужно, поверните винт по часовой стрелке, если ниже – поверните в противоположную сторону.
 5. В качестве заключительной проверки установите регулятор конфорки в положение максимального и минимального пламени и проверьте воспламенение и выключение огня.

Положение винта регулировки подачи зависит от типа газового вентиля, используемого в устройстве.



1 Витн регулнровки подачн газа

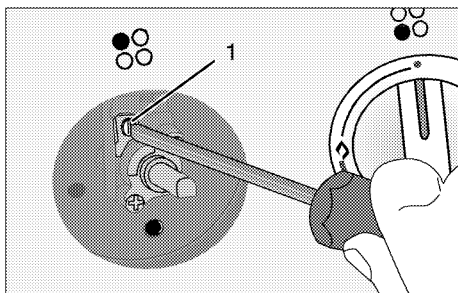


1 Витн регулнровки подачн газа

Регулнровка для уменьшения подачн газа к духовке

Для надлежащей работы духовки очень важно проверить регулнровку подачн газа. Чтобы обеспечить безопасную эксплуатацию устройства, будьте предельно внимательны при выполнении этих действий.

1. Зажнтте горелку, которую нужно отрегулнровать, и установнте ручку регулнатора в положнне максимального пламени.
2. Закройте дверцу духовки и подожднте 10-15 минут, пока духовка будет готова к регулнровке.
3. Сннмите ручку регулнатора.
4. Через 15 минут установнте регулнатор горелки духовки в положнне мннимального пламени.



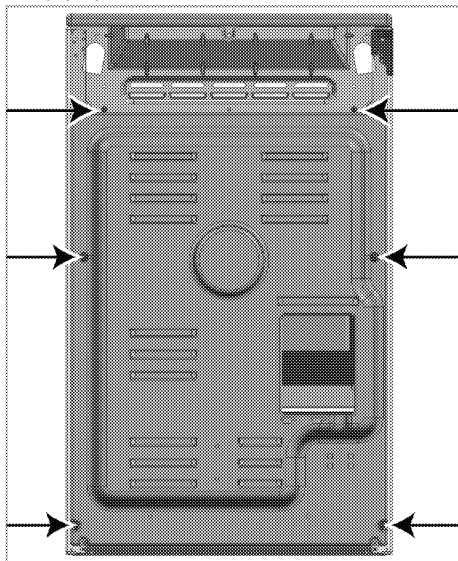
5. Отрегулнруйте высоту пламени горелки духовки до 2-3 мм с помощью внтн 1 на газовом кране духовки. Чтобы увеличнтть пламя, поверннтте внтн по часовой стрелке, чтобы уменьшнтть – протнв часовой стрелки.

i Если после сннятия ручки не удастся выполннтть регулнровку подачн газа духовки, сннмите панель управлннтя, а затем уже выполннтте регулнровку подачн газа.

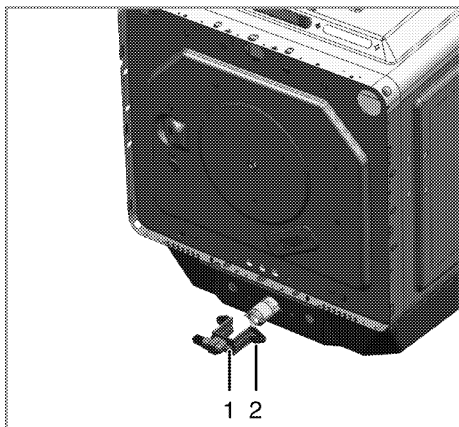
i Если температура в духовке повыснтся слншком сильно, выключнтте духовку и обратнтесь в фнрменный сервнсный центр, чтобы отремоннтровать термостат.

Замена форсунки в духовке

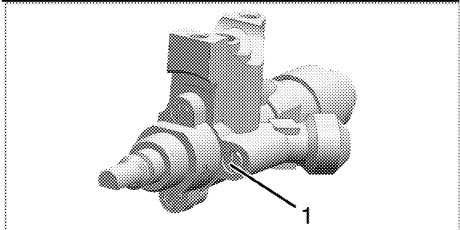
1. Отвнтнтте внтны, которыми крепнтся задняя стенка.



2. Отвнтнтте два внтн (2) держателя форсунки (1).



i При замене типа газа необходимо также заменить и паспортную табличку прибора, содержащую информацию о потребляемом газе.



- 1 Держатель форсунки
- 2 Винт
3. Извлеките держатель форсунки.
4. Вывинтите форсунку, поворачивая против часовой стрелки.
5. Вставьте новую форсунку.

| Пропан/бутан | Природный газ |
|--|------------------------------|
| Затяните винт, закручивая его по часовой стрелке до упора. | Ослабьте винт на пол-оборота |



4 Подготовка к эксплуатации

Рекомендации по экономии электроэнергии

Эти рекомендации помогут вам использовать изделие экологически чистым способом и экономить электроэнергию.

- Используйте в духовом шкафу темную или эмалированную посуду: это позволит улучшить теплопередачу.
- Прогревайте духовой шкаф перед приготовлением пищи, если это рекомендуется в руководстве пользователя или в инструкциях по приготовлению продуктов.
- Во время приготовления пищи не открывайте дверцу духового шкафа слишком часто.
- По возможности старайтесь готовить в духовом шкафу несколько блюд одновременно. При приготовлении пищи на решетку можно устанавливать по две емкости с продуктами.
- Готовьте блюда одно за другим. Духовой шкаф уже будет прогрет.
- Размораживайте замороженные продукты перед приготовлением.
- Готовьте пищу в закрытой посуде. При приготовлении в открытой посуде энергопотребление может возрасти в 4 раза.
- Выбирайте конфорку соответственно размеру дна посуды. Обязательно выбирайте посуду соответственно объему приготавливаемого блюда. Чем больше объем посуды, тем выше энергопотребление.

Подготовка к эксплуатации

Очистка прибора перед началом эксплуатации



Некоторые моющие средства и чистящие материалы могут повредить поверхность. Не используйте для чистки агрессивные моющие средства, чистящие порошки/кремы, а также острые предметы.

1. Снимите все упаковочные материалы.

2. Протрите поверхность прибора влажной тканью или губкой и вытрите насухо.

Первоначальный прогрев

Прогрейте прибор в течение 30 минут, а затем выключите. Это обеспечит выгорание и удаление производственных загрязнений и покрытий.



ПРЕДУПРЕЖДЕНИЕ!

Горячие поверхности могут причинить ожоги!

Во время работы прибор может сильно нагреваться. Не прикасайтесь к горячим конфоркам, внутренним частям духового шкафа, нагревательным элементам и т.п. Не разрешайте детям приближаться к нему.

Помещая продукты в горячий духовой шкаф или вынимая их оттуда, обязательно пользуйтесь термостойкими перчатками.

Газовая духовка

1. Выньте из духового шкафа все противни и решетку.
2. Закройте дверцу духового шкафа.
3. Включите газовую духовку на максимальную мощность (см. раздел *Правила эксплуатации газовой духовки*, стр. 21).
4. Дайте духовому шкафу поработать около 30 минут.
5. Затем выключите духовой шкаф (см. раздел *Правила эксплуатации газовой духовки*, стр. 21).



При первом включении в течение нескольких часов возможно выделение дыма и запаха. Это вполне нормально.

Убедитесь, что кухня хорошо проветривается, чтобы удалить дым и запах. Не вдыхайте выделяющиеся дым и запахи.

5 Правила эксплуатации варочной панели

Общие сведения о приготовлении пищи



Не заполняйте кастрюлю растительным маслом более чем на одну треть. При нагревании масла не оставляйте варочную панель без присмотра. Остерегайтесь возгорания раскаленных масел. **Не тушите огонь водой!** При возгорании масла накройте посуду одеялом или влажной тканью. По возможности выключите варочную панель и позвоните в пожарную службу.

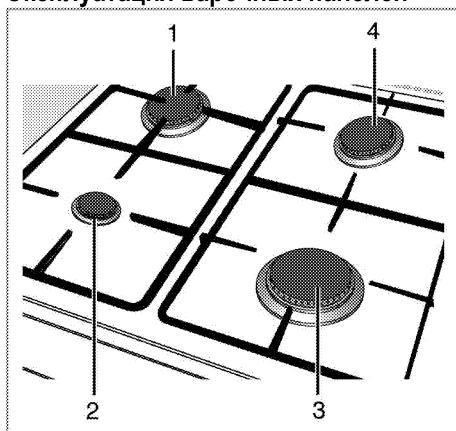
- Перед жареньем продукты нужно обязательно обсушивать. Опускайте продукты в горячий жир с осторожностью. Замороженные продукты перед жареньем следует полностью разморозить.
- Посуду, в которой разогревается жир, накрывать нельзя.
- Посуду следует ставить на плиту таким образом, чтобы ручки не нагревались над горячей поверхностью плиты. Не ставьте на плиту неустойчивую посуду, которая легко опрокидывается.
- Не ставьте на включенные конфорки пустую посуду – это может привести к ее повреждению.
- Не оставляйте включенными конфорки, на которых нет посуды – это может привести к повреждению плиты. Обязательно выключайте конфорки после окончания приготовления пищи.
- Не ставьте на плиту пластмассовую или алюминиевую посуду, так как на горячей поверхности они могут расплавиться. Такую посуду также не следует использовать для хранения пищевых продуктов.
- Можно использовать только посуду с плоским дном.
- Размер посуды должен соответствовать количеству продуктов. Тогда продукты не будут выплескиваться из посуды, и не придется лишний раз мыть плиту.

Не кладите на конфорки крышки кастрюль. Размещайте посуду по центру конфорки. Если нужно переместить посуду на другую конфорку, поднимите ее и переставьте. Ни в коем случае не передвигайте посуду по поверхности плиты.

Приготовление пищи на газовой конфорке

- Диаметр пламени должен соответствовать размеру посуды. Пламя газовой конфорки следует регулировать таким образом, чтобы оно не выходило за пределы дна посуды. Посуду следует ставить по центру конфорки.

Эксплуатация варочных панелей



- 1 Нормальная конфорка 18-20 см
- 2 Дополнительная конфорка 12-16см
- 3 Конфорка быстрого нагрева 20-22 см
- 4 Нормальная конфорка 18-20 см список рекомендованных диаметров посуды для использования на соответствующих конфорках.

Большой символ пламени соответствует максимальному уровню мощности, а маленький символ пламени – минимальному. В положении «выключено» (верхняя точка) подача газа к горелкам прекращается.

Розжиг газовых горелок

Горелка не оснащена устройством автоматического розжига. Используйте зажигалку для газовой плиты или спички.

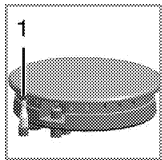
1. Прижмите регулятор горелки и
2. поверните его против часовой стрелки в сторону большого символа пламени.

3. Зажгите конфорку с помощью зажигалки для газовой плиты.
4. Установите нужный уровень мощности.

Выключение газовых горелок

Поверните регулятор зоны подогрева в положение «Выключено» (вверх).

Система предотвращения утечки газа (в моделях с термопарой)



1. Система предотвращения утечки газа

Горелки снабжены предохранительным механизмом, прекращающим подачу газа, если пламя внезапно погаснет, например, его зальет жидкость.

- Для розжига прижмите регулятор и поверните его против часовой стрелки.
- Чтобы включить систему защиты, после воспламенения газа удерживайте регулятор в нажатом положении еще 3-5 секунд.
- Если после нажатия и отпускания регулятора пламя погаснет, повторите те же действия, удерживая регулятор в нажатом положении в течение 15 секунд.



ОПАСНО:

Если в течение 15 секунд розжиг горелки не произошел, отпустите кнопку. Повторите попытку не ранее, чем через 1 минуту. Существует риск накопления газа и взрыва!

6 Правила эксплуатации духовки

Общие сведения о выпекании, жарении



ПРЕДУПРЕЖДЕНИЕ!

Горячие поверхности могут причинить ожоги!

Во время работы прибор может сильно нагреваться. Не прикасайтесь к горячим конфоркам, внутренним частям духового шкафа, нагревательным элементам и т.п. Не разрешайте детям приближаться к нему.

Помещая продукты в горячий духовой шкаф или вынимая их оттуда, обязательно пользуйтесь термостойкими рукавицами.



ОПАСНО:

Будьте осторожны, открывая дверцу духового шкафа, так как наружу может выходить пар.

Выпускаемый пар может обжечь вам руки, лицо и/или глаза.

Советы по выпеканию

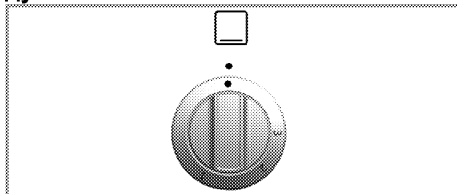
- Используйте антипригарные металлические тарелки или алюминиевые контейнеры с соответствующим покрытием, либо термостойкие силиконовые формы.
- Рационально используйте площадь решетки.
- Устанавливайте форму для выпекания в середине решетки.
- Выбирайте правильное положение решетки перед включением духового шкафа или гриля. Не изменяйте положение решетки, когда духовой шкаф горячий.
- Держите закрытой дверцу шкафа.

Советы по приготовлению жареных блюд

- Тушку курицы или индейки и большие куски мяса перед приготовлением рекомендуется сбрызнуть лимонным соком и посыпать черным перцем. Тогда готовое блюдо будет вкуснее.
- Мясо с костями следует жарить на 15-30 минут дольше, чем такое же количества мяса без костей.
- На каждый сантиметр толщины мяса требуется приблизительно 4-5 минут времени приготовления.

- По истечении времени приготовления мяса оставьте его в духовом шкафу примерно на 10 минут. Сок лучше распределится внутри куска жареного мяса и не будет вытекать, когда вы будете разрезать мясо.
- Рыбу в термостойкой посуде следует готовить на решетке, установленной на средний или нижний уровень.

Правила эксплуатации газовой духовки

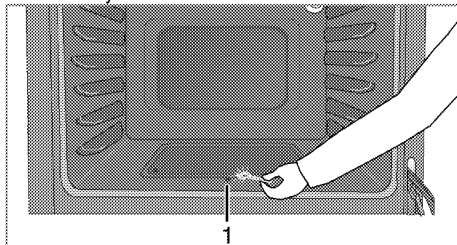


Для управления газовой духовкой используется ручка регулятора газовой горелки. При положении "Выключено" (вверх) подача газа прекращается.

Включение газовой духовки

Для розжига духовки используется зажигалка для газовой плиты.

- Откройте дверцу духовки.
- Прижмите ручку регулятора газовой горелки духовки и поверните ее **против часовой стрелки**.
- Зажгите газ с помощью зажигалки для газовой плиты через контрольное отверстие.
- Прижмите регулятор горелки и не отпускайте 3-5 секунд.
- Проверьте, появилось ли пламя.
- Прижмите и не отпускайте ручку регулятора горелки в течение 3-5 секунд.
- Выберите нужную мощность горелки, установив регулятор на соответствующую отметку.



- 1 Контрольное отверстие (для розжига)

**ОПАСНО:**

Существует риск сжатия газа и взрыва!
 Не пытайтесь разжечь газ дольше 15 секунд. Если в течение 15 секунд розжиг горелки не произошел, выключите варочную панель и подождите 1 минуту. Проветрите помещение, прежде чем повторить попытку розжига горелки. Существует риск сжатия газа и взрыва!

Время приготовления блюд

1-й полкой духового шкафа является нижняя полка.



Максимальная нагрузка на противень – 4 кг.



Значения времени в этой таблице следует считать справочными. Они могут изменяться в зависимости от температуры продуктов, толщины, вида и ваших кулинарных предпочтений.

Чтобы брызги не попадали на под духовки и не пачкали духовку, ставьте блюдо на противень для выпечки.

Выключение газовой духовки

1. Поверните ручку регулятора горелки духовки в положение "Выключено" (вверх).

Температура нагрева при различных уровнях мощности газовых горелок:

| | | | |
|----------------------------------|-----|-----|-----|
| Уровень мощности газовой горелки | 1 | 2 | 3 |
| Температура в °С | 170 | 280 | 284 |

Выпечка и жарение

| Продукты | Разогрев * | Уровень размещения | Положение ручки регулятора | Время приготовления |
|-------------------------|------------|--------------------|----------------------------|---------------------------------------|
| Яблочный пирог | 10 мин. | 4..5 | 1 | 25..30 мин. |
| Фруктовый торт | 10 мин. | 4..5 | 1 | 25..35 мин. |
| Пирог | 10 мин. | 3..4 | 1 | 30..40 мин. |
| Печенье | 10 мин. | 4..5 | 1 | 25..35 мин. |
| Выпечка | 10 мин. | 5 | 1 | 35..45 мин. |
| Торт | 10 мин. | 3 | 1 | 30..40 мин. |
| Сухое печенье | – | 4..5 | 1 | 20..30 мин. |
| Жареная баранина | 10 мин. | 4..5 | 1 | 35..45 мин. на каждые 450 г + 30 мин. |
| Ростбиф | 10 мин. | 2 | 1 | 50..60 мин. на каждые 450 г + 30 мин. |
| Индейка | 10 мин. | 3..4 | 1 | 50..60 мин. на каждые 450 г + 30 мин. |
| Птица | 10 мин. | 3..4 | 1 | 30..40 мин. на каждые 450 г + 25 мин. |
| Запеканки | – | 4 | 1 | 90..120 мин. § |
| Рыба | 10 мин. | 3 | 1 | 35..45 мин. |
| Макароны | 10 мин. | 3..4 | 1 | 35..40 мин. |
| Пирожные | 10 мин. | 4 | 1 | 30..35 мин. |
| Песочный торт «Сендвич» | 10 мин. | 3 | 1 | 22..28 мин. |

* при положении ручки регулятора 2 / § в зависимости от количества / # в зависимости от размера

7 Уход и техническое обслуживание

Общие сведения

Регулярно выполняйте чистку прибора. Это позволит продлить срок его службы, а также избежать многих проблем.



ОПАСНО:

Перед выполнением работ по обслуживанию и чистке отключите прибор от электрической сети. Существует риск поражения электрическим током!



ОПАСНО:

Дайте изделию остыть, прежде чем приступать к чистке. Горячие поверхности могут причинить ожоги!

- Прибор следует тщательно чистить после каждого использования. Так легче удалять остатки пищи, которые могут пригореть при следующем использовании прибора.
- Для чистки прибора не требуются специальные чистящие средства. Прибор можно вымыть теплой водой с добавлением жидким моющего средства, используя мягкую ткань или губку. А затем протереть сухой тканью.
- Обязательно протирайте прибор насухо после чистки и сразу же удаляйте попавшую на него жидкость.
- Не используйте для чистки ручки и поверхностей из нержавеющей стали чистящие средства, содержащими кислоты или хлор. Эти детали можно протирать мягкой тканью, смоченной в жидком моющем средстве (без абразивных добавок), стараясь тереть в одном направлении.



Некоторые моющие средства и чистящие материалы могут повредить поверхность. Не используйте для чистки агрессивные моющие средства, чистящие порошки/кремы, а также острые предметы.



Не используйте для чистки устройства парочистители, поскольку это может привести к поражению электрическим током.

Чистка варочной панели

Газовые варочные панели

1. Снимите и вымойте конфорки и накладки горелок.
2. Вымойте варочную панель.
3. Аккуратно установите накладки горелок на свои места.
4. При установке верхних решеток следите за тем, чтобы горелки находились точно по центру конфорок.

Чистка панели управления

Очистьте панель управления и ручки-регуляторы влажной тканью и вытрите насухо.



Для чистки панели управления не снимайте кнопки/ручки-регуляторы. Так можно повредить панель управления!

Чистка духовки

Чистка дверцы духовки

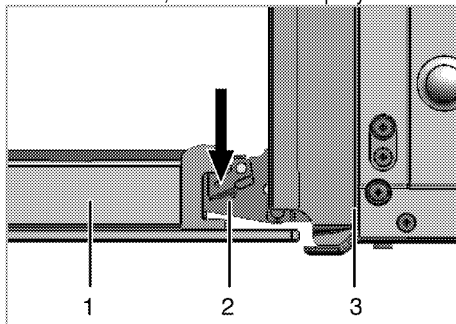
Мойте дверцу духовки мягкой тканью или губкой, смоченной в теплой воде с добавлением жидкого моющего средства, и вытирайте сухой тканью.



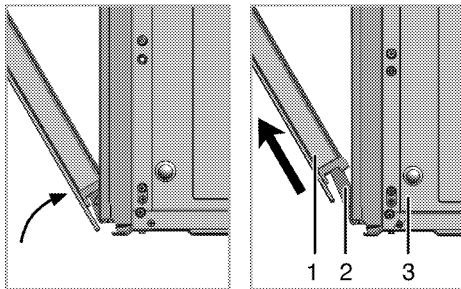
Не используйте для чистки дверцы моющие средства с абразивными веществами или металлическими скребки. Они могут поцарапать поверхность и повредить стекло.

Снятие дверцы духового шкафа

1. Откройте переднюю дверцу (1).
2. Откройте зажимы на корпусе петли (2) с правой и левой стороны передней дверцы, нажав на них, как показано на рисунке.



- 1 Передняя дверца
- 2 Петля
- 3 Духовой шкаф



3. Откройте переднюю дверцу наполовину.
4. Снимите переднюю дверцу, потянув ее вверх и освободив от правой и левой петли.

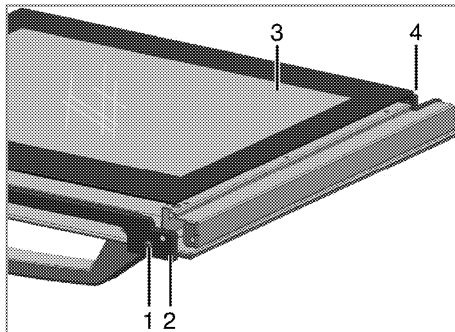


Для установки дверцы на место следует выполнить в обратном порядке действия по снятию. Не забудьте закрыть зажимы на корпусе петли при установке дверцы на место.

Снятие внутреннего стекла дверцы

Внутреннее стекло панели дверцы духового шкафа можно снять для чистки.

1. Откройте дверцу духовки.



- 1 Винт
 - 2 Пластмассовый профиль
 - 3 Внутреннее стекло
 - 4 Пластмассовый держатель
2. Открутите отверткой винт (1)
 3. Выньте профиль (2), а затем внутреннее стекло (3).
 4. После чего соберите дверь, установив стекло (3) в пластмассовые держатели (4) и сгруппировав профиль.

8 Поиск и устранение неисправностей

Во время работы из духового шкафа выделяется пар.

- Вполне нормально, если пар выделяется во время работы. >>> *Это не является неисправностью.*

При нагревании и охлаждении прибор издает металлические шумы.

- При нагревании металлические детали могут расширяться и издавать звуки. >>> *Это не является неисправностью.*

При розжиге не вспыхивает искра.

- Нет тока. >>> *Проверьте предохранители в блоке предохранителей.*

Газ не поступает.

- Перекрыт общий газовый кран. >>> *Откройте газовый кран.*
- Перегиб газового шланга. >>> *Правильно расположите газовый шланг.*

Горелки плохо горят или вообще не горят.

- Горелки засорены. >>> *Очистите компоненты горелки.*
- Горелки влажные. >>> *Просушите компоненты горелки.*
- Накладка горелки плохо установлена. >>> *Правильно установите накладку горелки.*
- Перекрыт газовый кран. >>> *Откройте газовый кран.*
- Газовый баллон пуст (при использовании сжиженного газа). >>> *Замените газовый баллон.*



Если вы не можете устранить неполадки, несмотря на выполнение инструкций, приведенных в данном разделе, обратитесь к представителю авторизованной сервисной службы. Не пытайтесь самостоятельно отремонтировать неисправный электроприбор.

Изготовитель: «Arcelik A.S.»

Юридический адрес: Караач Джаддеси № 2-6 34445 Сютлюдже Стамбул, Турция
(Karaağaç Caddesi No:2-6 Sütlüce, 34445, Turkey)

Произведено в Турции

Импортер на территории РФ: ООО «БЕКО»

Юридический адрес: 601021 Россия, Владимирская обл., Киржачский р-н, МОСП Першинское, дер. Федоровское, ул. Сельская, д. 49.

Информацию о сертификации продукта Вы можете уточнить, позвонив на горячую линию 8-800-200-23-56.

Дата производства включена в серийный номер продукта, указанный на этикетке, расположенной на продукте, а именно: первые две цифры серийного номера обозначают год производства, а последние две – месяц. Например, "10-100001-05" обозначает, что продукт произведен в мае 2010 года.

Изготовитель оставляет за собой право на внесение изменений в конструкцию, дизайн и комплектацию электроприбора.

Будь ласка, спочатку прочитайте посібник користувача!

Шановний покупець!

Дякуємо за те, що надали перевагу продукції компанії «Веко». Сподіваємося, що цей високоякісний виріб, виготовлений із застосуванням найсучасніших технологій, продемонструватиме найкращі результати експлуатації. Для цього рекомендуємо вам прочитати весь посібник користувача та всю супровідну документацію, перш ніж користуватися виробом, і зберегти їх для майбутнього використання в довідкових цілях. Якщо ви передасте комусь прилад, передайте й посібник користувача. Дотримуйтеся всіх попереджень й інформації, які містяться в посібнику користувача.

Зверніть увагу, що цей посібник також може бути дійсним для інших моделей. У ньому буде чітко вказано розбіжності між моделями.

Пояснення до символів

У цьому посібнику користувача використано такі символи:



Важлива інформація або корисні поради з користування.



Попередження про небезпечні ситуації для життя та майна.



Попередження про ураження електричним струмом.



Попередження про ризик займання.



Попередження про гарячі поверхні.

Arçelik A.Ş.
Karaağaç caddesi No:2-6
34445 Sütlüce/İstanbul/TURKEY
Made in TURKEY

1 Важливі інструкції та попередження з техніки безпеки й охорони навколишнього середовища 4

| | |
|---|---|
| Загальні правила техніки безпеки | 4 |
| Правила техніки безпеки для газових пристроїв | 4 |
| Безпека виробу | 6 |
| Призначення | 7 |
| Захист дітей | 7 |
| Утилізація старого приладу | 8 |
| Утилізація пакувальних матеріалів | 8 |
| Утилізація старого приладу | 8 |

2 Загальна Інформація 9

| | |
|-------------------------------|----|
| Огляд | 9 |
| Вміст упаковки | 10 |
| Технічні характеристики | 11 |
| Таблиця інжекторів | 11 |

3 Установа 12

| | |
|---------------------------------|----|
| До початку установки | 12 |
| Установа та підключення | 13 |
| Перехід на інший тип газу | 13 |

4 Підготовка 16

| | |
|---|----|
| Поради щодо збереження електроенергії | 16 |
| Початок використання | 16 |
| Початкове очищення виробу | 16 |
| Перше розігрівання | 16 |

5 Правила експлуатації варильної панелі 17

| | |
|---|----|
| Загальна інформація щодо приготування | 17 |
| Використання варильних панелей | 17 |

6 Використання духовки 19

| | |
|--|----|
| Загальна інформація щодо запікання, смаження | 19 |
| Використання газової духовки | 19 |
| Таблиця часу приготування | 20 |

7 Догляд і технічне обслуговування 21

| | |
|--|----|
| Загальна інформація | 21 |
| Чистка варильної панелі | 21 |
| Очищення панелі управління | 21 |
| Очищення духовки | 21 |
| Демонтаж дверцят духової шафи | 21 |
| Виймання внутрішнього скла дверцят | 22 |

8 Пошук та усунення несправностей 23

1 Важливі інструкції та попередження з техніки безпеки й охорони навколишнього середовища

У цьому розділі наведені правила техніки безпеки, які допоможуть уникнути ризику травмування та пошкодження. При недотриманні цих правил усі гарантійні зобов'язання буде анульовано.

Загальні правила техніки безпеки

- Цей виріб можуть експлуатувати діти, старші за 8 років, і люди з обмеженими фізичними, сенсорними та розумовими здібностями, а також особи, що не мають достатнього досвіду та знань, лише за умов перебування під наглядом осіб, відповідальних за їхню безпеку, чи під їхнім керівництвом стосовно безпечного користування виробом і розуміння можливих ризиків. Слідкуйте за тим, щоб діти не грали з виробом. Діти можуть чистити й обслуговувати виріб лише під наглядом.
- Не встановлюйте виріб на килимовому покритті. Недостатня вентиляція під днищем може спричинити перегрів електричних деталей і проблеми в роботі виробу.
- Роботи зі встановлення й ремонту мають виконувати

лише представники авторизованої сервісної служби. Виробник не несе відповідальності за шкоду, заподіяну внаслідок виконання робіт особами, які на це не уповноважені. Це також може призвести до анулювання гарантії. Перед встановленням уважно прочитайте інструкції.

- Не користуйтеся виробом, якщо він несправний чи має видимі ознаки пошкодження.
- Перевіряйте, щоб щоразу після використання перемикачі функцій були вимкнені.

Правила техніки безпеки для газових пристроїв

- Усі роботи з газовим обладнанням та системами має проводити тільки авторизований кваліфікований персонал.
- Перед встановленням переконайтеся в дотриманні умов місцевої розподільної системи (тиск газу й тип газу) та умов регулювання пристрою.
- Цей пристрій не під'єднується до обладнання для видалення продуктів горіння. Його слід встановлювати та під'єднувати відповідно до поточних

нормативів зі встановлення.
Особливу увагу слід приділити відповідним вимогам щодо вентиляції; див. *До початку установки, стор. 12*

- Робота газової плити веде до утворення тепла, вологи та продуктів згорання у приміщенні, де вона встановлена. Забезпечте достатню вентиляцію кухні, особливо під час використання приладу: залиште відкритими отвори природної вентиляції або встановіть механічний вентиляційний пристрій (ковпак механічної витяжки). У разі тривалої експлуатації пристрою може знадобитися додаткова вентиляція, наприклад, збільшення рівня потужності механічної вентиляції, якщо така є».
- Слід проводити регулярну перевірку роботи газових пристроїв і систем. Регулятор, шланг і його затискач слід перевіряти регулярно й замінювати в терміни, рекомендовані виробником, чи в разі виникнення потреби.
- Регулярно чистіть газові конфорки. Полум'я має бути блакитним і рівномірним.
- Для газових пристроїв необхідне хороше згорання

газу. У випадку неповного згорання може утворюватися окис вуглецю (CO). Окис вуглецю – це дуже токсичний газ без запаху та кольору, який навіть у малих дозах може призвести до смерті.

- Зверніться до постачальника газу для отримання відомостей про телефонні номери аварійної служби газу та заходи безпеки у разі появи запаху газу.

Заходи у разі появи запаху газу

- Не використовуйте відкрите полум'я і не паліть. Не використовуйте електричні вимикачі (наприклад, вимикач світла, дверний дзвінок тощо) Не користуйтеся стаціонарним чи мобільним телефоном. Ризик вибуху й отруєння газом!
- Закрийте всі крани на газових пристроях і лічильниках газу.
- Відчиніть двері та вікна.
- Перевірте всі труби та надійність всіх з'єднань. Якщо запах газу не зникає, вийдіть з помешкання.
- Попередьте сусідів.
- Зателефонуйте до пожежної служби. Скористайтеся телефоном за межами будинку.

- Не заходьте до помешкання, доки вам не повідомлять, що це безпечно.

Безпека виробу

- Цей прилад і його зовнішні деталі під час роботи нагріваються. Будьте обережні й не торкайтеся нагрітих частин. За дітьми до 8 років треба постійно наглядати й не допускати їх до приладу.
- Не користуйтеся виробом під впливом алкоголю й/або лікарських засобів, які погіршують кмітливість і координацію рухів.
- Будьте обережні, коли додаєте до страв алкогольні напої. Спирт випаровується за високої температури і може призвести до пожежі, зайнявшись після контакту з гарячими поверхнями.
- Перевірте, щоб поруч із пристроєм не було легкозаймистих матеріалів, оскільки бічні поверхні можуть сильно нагріватися під час роботи.
- Під час використання пристрій нагрівається. Будьте обережні й не торкайтеся нагрітих частин всередині духової шафи.
- Усі вентиляційні отвори мають бути відкриті.
- Не нагрівайте в духовій шафі закриті контейнери та скляні банки. Тиск всередині контейнера чи банки може призвести до їх вибухання.
- Не можна ставити дека для випічки, тарілки або розміщувати алюмінієву фольгу безпосередньо на нижній поверхні духової шафи. Тепло, що акумулюється, може пошкодити нижню частину духової шафи.
- Для чищення скляних дверцят духової шафи не користуйтеся грубими абразивними засобами для чищення чи гострими металевими шкребками, щоб не подряпати поверхню, що може призвести до руйнування скла.
- Не використовуйте для чищення парові пристрої, бо це може призвести до ураження електричним струмом.
- Не користуйтеся духовою шафою, якщо скло передніх дверцят зняте чи тріснуло.
- Для встановлення й виймання страв з нагрітої духової шафи користуйтеся спеціальними термостійкими рукавицями.
- Під час приготування їжі з жиром чи олією не залишайте

варильну панель без нагляду, оскільки це може призвести до пожежі. Категорично **ЗАБОРОНЕНО**

використовувати воду для гасіння полум'я; натомість слід вимкнути пристрій і накрити вогонь кришкою чи протипожежним покриттям.

- Пожежна небезпека: не зберігайте речі на варильних поверхнях.

Для забезпечення пожежної безпеки виробу слід дотримуватися нижчезазначених вимог.

- Переконайтеся, що штепсельна вилка щільно вставлена в розетку та не іскрить.
- Не користуйтеся пошкодженим чи обрізаним кабелем або подовжувачем; слід використовувати лише оригінальний кабель.
- Переконайтеся, що в розетці, до якої підключено виріб, немає рідини чи вологи.
- Переконайтеся, що газ підключено належним чином, щоб уникнути витоку газу.

Призначення

- Прилад призначений для домашнього використання.

Використання з комерційною метою є неприпустимим.

- Цей прилад призначений тільки для приготування їжі. Його не можна використовувати для інших цілей, наприклад, для обігріву приміщення."
- Виробник не несе відповідальності за будь-які збитки, спричинені неправильним використанням або помилками експлуатації.
- Духову шафу можна використовувати для розморожування, випічки та смаження на грилі.

Захист дітей

- Доступні частини можуть нагріватися під час використання. Не допускайте дітей до приладу.
- Пакувальні матеріали можуть становити небезпеку для дітей. Зберігайте пакувальні матеріали у місцях, недоступних для дітей. Всі компоненти упаковки слід утилізувати відповідно до екологічних стандартів.
- Електричне й газове обладнання становить загрозу для дітей. Під час роботи приладу не допускайте до

нього дітей та не дозволяйте дітям гратися з ним.

- Доступні додаткові захисні засоби для запобігання контакту з дверцятами духової шафи. Цей компонент має бути встановлено за умови присутності в приміщенні експлуатації виробу маленьких дітей.
- Не зберігайте над приладом речі, які можуть дістати діти.
- Не ставте на відчинені дверцята важкі речі та не дозволяйте дітям сідати на дверцята. Це може спричинити перекидання приладу або пошкодження петель дверцят.

Утилізація старого приладу

Утилізація пакувальних матеріалів

- Пакувальні матеріали становлять загрозу для дітей. Зберігайте пакувальні матеріали в безпечному й недоступному для дітей місці. Пакувальні матеріали для приладу

виготовлені з матеріалів, які підлягають вторинній переробці. Правильно утилізуйте їх і сортуйте відповідно до вказівок стосовно відходів, які підлягають переробці. Не викидайте їх разом зі звичайними побутовими відходами.

Утилізація старого приладу

- Збережіть оригінальну упаковку приладу й перевозьте прилад у ній. Дотримуйтеся вказівок, зазначених на упаковці. Якщо оригінальна упаковка не збереглася, обгорніть пристрій пухирчастим поліетиленом або товстим картоном і надійно заклейте стрічкою.
- Щоб запобігти пошкодженню дверцят решітчастим грилем і деками, розмістіть шматок картону з внутрішнього боку дверцят духовки нарівні з деками. Прикріпіть дверцята духовки до бічних стінок клейкою стрічкою.
- Закріпіть кришки та підставки для каструль ізоляційною стрічкою.
- Не підіймайте й не пересувайте прилад за дверцята чи ручку.



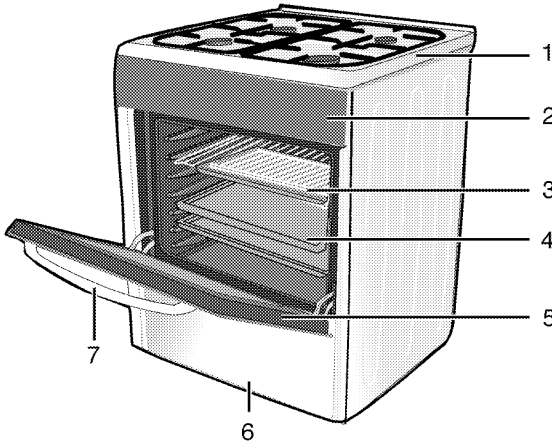
Не ставте на пристрій жодних предметів і не розташовуйте його вертикально.



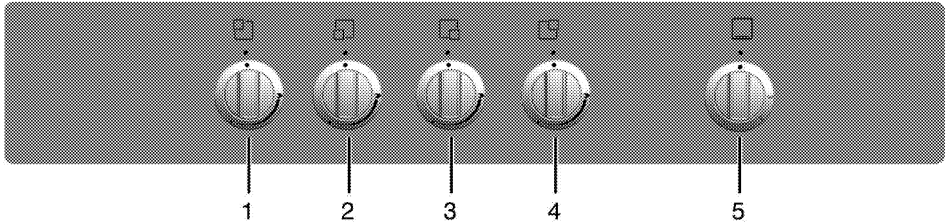
Перевірте загальний вигляд пристрою на можливі пошкодження під час транспортування.

2 Загальна Інформація

Огляд



- | | | | |
|---|-------------------|---|------------------|
| 1 | Панель пальника | 5 | Передні дверцята |
| 2 | Панель управління | 6 | Нижня частина |
| 3 | Полиця-решітка | 7 | Ручка |
| 4 | Деко | | |



- | | |
|---|--|
| 1 | Нормальний пальник Задній лівий |
| 2 | Додатковий пальник Передній лівий |
| 3 | Пальник додаткового нагрівання Передній правий |
| 4 | Нормальний пальник Задній правий |
| 5 | Ручка духової шафи |

Вміст упаковки

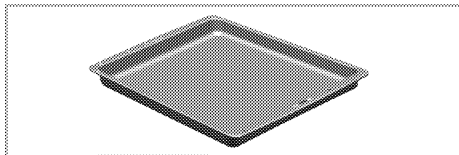


Акcesуари, що входять до комплекту постачання, залежать від моделі виробу. Комплект постачання вашого виробу може містити не всі акcesуари, описані в цьому посібнику користувача.

1. **Посібник користувача**

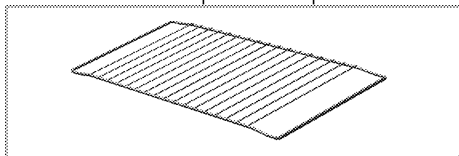
2. **Деко духової шафи**

Для випічки, замороженої їжі та великих шматків м'яса.



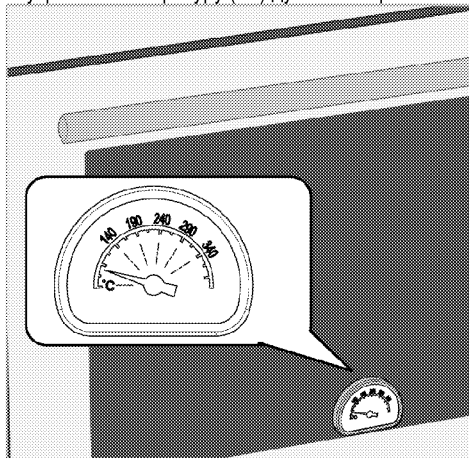
3. **Решітчаста полиця**

Для смаження, а також розміщення продуктів при випіканні, смаженні чи приготуванні запіканок на потрібній полиці.



Індикатор внутрішньої температури

Використовується лише для інформування про внутрішню температуру (°C) духової шафи.



Термометр знаходиться на дверцятах. Він показує температуру, яка на 20 °C нижча від температури посередині духовки.



Похибка вимірювань для цього термометра становить $\pm 12,5$ °C.

Технічні характеристики

ЗАГАЛЬНІ ВІДОМОСТІ

| | |
|---|-----------------------------------|
| Зовнішні габарити (висота/ширина/глибина) | 850 мм/500 мм/500 мм |
| Категорія газового приладу | II 2H3B/P |
| Тип/тиск газу | NG G 20/20 мбар |
| Загальне споживання газу | 9.5 кВт |
| Перехід на тип/тиск газу [§] | LPG G 30/30 мбар |
| – додатково | NG G 20/13 мбар - NG G 20/10 мбар |

Варильна поверхня

Конфорки

| | |
|-----------------|--------------------------------|
| Задній лівий | Нормальний пальник |
| Живлення | 2.0 кВт |
| Передній лівий | Додатковий пальник |
| Живлення | 1.0 кВт |
| Передній правий | Пальник додаткового нагрівання |
| Живлення | 2.5 кВт |
| Задній правий | Нормальний пальник |
| Живлення | 2.0 кВт |

ДУХОВА ШАФА/ГРИЛЬ

| | |
|----------------------------------|--------------------|
| Головна духова шафа | Газова духова шафа |
| Споживання газу для духової шафи | 2.0 кВт |



З метою удосконалення якості продукції технічні характеристики приладу можуть бути змінені без попереднього повідомлення.



Малюнки в цьому посібнику є схематичними і можуть не відповідати вашому виробі.



Значення, наведені на табличках машини та в супровідній документації, отримані в лабораторних умовах згідно з відповідними стандартами. Залежно від умов експлуатації та навколишнього середовища ці значення можуть змінюватися.

Таблиця інжекторів

| Розташування зони варильної панелі | 2.0 кВт Задній лівий | 1.0 кВт Передній лівий | 2.5 кВт Передній правий | 2.0 кВт Задній правий |
|------------------------------------|-------------------------|---------------------------|----------------------------|--------------------------|
| Тип/тиск газу | | | | |
| G 20/10 мбар | 125 | 90 | 145 | 125 |
| G 20/13 мбар | 116 | 84 | 123 | 116 |
| G 20/20 мбар | 103 | 72 | 125 | 103 |
| G 30/28-30 мбар | 72 | 50 | 80 | 72 |
| Тип/тиск газу | Газова духова шафа | | | |
| G 20/10 мбар | 125 | | | |
| G 20/13 мбар | 116 | | | |
| G 20/20 мбар | 105 | | | |
| G 30/28-30 мбар | 71 | | | |

3 Установка

Пристрій має встановити кваліфікований спеціаліст відповідно до чинних нормативів. В іншому разі, гарантію буде анульовано. Виробник не несе відповідальності за шкоду, заподіяну внаслідок виконання робіт особами, які на це не уповноважені. Це може призвести до анулювання гарантії.



Покупець відповідальний за підготовку місця для установки й виконання електричних і газових з'єднань.



НЕБЕЗПЕЧНО:

Прилад слід встановити відповідно до всіх місцевих норм з питань газового й/або електричного обладнання.



НЕБЕЗПЕЧНО:

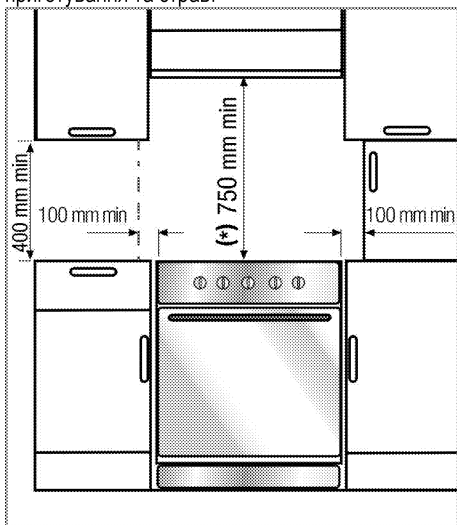
Перед установкою огляньте прилад на наявність дефектів. Якщо такі є, не встановлюйте його.

Пошкоджені прилади можуть становити загрозу для вашої безпеки.

До початку установки

Аби забезпечити наявність необхідних проміжків для циркуляції повітря під пристроєм, рекомендуємо встановлювати його на твердій поверхні так, щоб ніжки не занурювалися в килим або м'яке підлогове покриття.

Кухонна підлога має витримати вагу пристрою з урахуванням додаткової ваги посуду для приготування та страв.



- Її можна використовувати разом із кухонними шафами по обидва боки, проте необхідно залишити щонайменше 400 мм вільного простору над рівнем конфорок, а також щонайменше 65 мм вільного простору між духовкою і стінкою, перегородкою або високою кухонною шафою.
- Крім того, духовка може стояти окремо. Забезпечте вільний простір щонайменше 750 мм від поверхні духовки до поверхонь над нею.
- За необхідності установка надплитного очисника повітря дотримуйтеся інструкції його виробника щодо висоти монтажу пристрою (мін. 650 мм).
- Пристрій належить до класу 1, отже, його можна встановлювати так, щоб задня поверхня й **одна** з бічних сторін сусідили з кухонними стінами, меблями чи обладнанням будь-якого розміру. Кухонні меблі чи обладнання з **іншого** боку мають дорівнювати духовій шафі за розміром чи бути меншими.
- Кухонні меблі, розташовані поряд із пристроєм, мають бути термостійкими (витримувати температуру щонайменше 100 °C).

Вентиляція приміщення

У приміщенні має бути вікно, яке можна відчинити, а в деяких приміщеннях також необхідна наявність постійної вентиляції.

Забір повітря для процесу горіння відбувається в приміщенні, й газ, що виходить, виділяється безпосередньо в приміщення.

Гарна вентиляція приміщення – необхідна умова безпечної роботи пристрою. Якщо в приміщенні немає вікна чи дверей, слід встановити додаткову систему вентиляції.

Пристрій можна встановлювати в кухні, в кухні-їдальні та житловій кімнаті, але не в приміщенні з ванною та душем. Пристрій заборонено встановлювати в житловій кімнаті площею менше за 20 м².

Не встановлюйте пристрій в приміщенні, нижчому за рівень поверхні, якщо воно не виходить на рівень поверхні щонайменше однією стороною.

| Розмір приміщення | Вентиляційний отвір |
|---------------------------------------|--------------------------|
| менший за 5 м ³ | мін. 100 см ² |
| 5 м ³ до 10 м ³ | мін. 50 см ² |
| більший за 10 м ³ ден | не потрібно |
| У підвалі чи в сокелі | мін. 65 см ² |

Установка та підключення

Виріб слід встановлювати й під'єднувати відповідно до затверджених правил установки.



Не встановлюйте пристрій поряд з холодильниками чи морозильниками. Тепло, випромінюване пристроєм, може призвести до зростання енергоспоживання охолоджувального обладнання.

- Виріб мають переносити щонайменше двоє людей.
- Виріб слід встановлювати безпосередньо на підлозі, а не на підставці чи стійці.



Не підіймайте й не пересувайте пристрій за дверцята чи ручки. Дверцята, ручки чи завіси можуть пошкодитися.

Підключення газу



НЕБЕЗПЕЧНО:

Відключення пристрою до електричної мережі має виконувати тільки уповноважений кваліфікований працівник. Ризик вибуху чи отруєння газом через некваліфікований ремонт! Виробник не несе відповідальності за шкodu, заподіяну внаслідок виконання робіт особами, які на це не уповноважені.



НЕБЕЗПЕЧНО:

Перш ніж розпочинати будь-які роботи зі установки газового обладнання, перекрийте постачання газу. Існує ризик вибуху!

- Умови та значення налаштування газопостачання наведені в інформаційних табличках (або в табличці з позначенням типу іону).



На ваш виріб може подаватися природний газ (NG).

- Під'єднання природного газу слід виконати перед установкою пристрою.

- На виході системи подачі природного газу має знаходитися гнучка трубка, кінчик якої має бути закритий заглушкою. Під час процедури підключення представник сервісної служби зніме заглушку і під'єднає пристрій за допомогою відповідного з'єднувача (муфти).
- Упевніться, що вентиль подачі природного газу досяжний.
- У разі необхідності використання пристрою з іншим типом газу проконсультуйтеся зі співробітниками авторизованої сервісної служби щодо відповідної процедури переходу на інший тип газу.



НЕБЕЗПЕЧНО:

Газовий шланг не можна затискати або згинати; він не повинен контактувати з гарячими частинами пристрою. Існує ризик вибуху через пошкоджений газовий шланг.

- Посуньте пристрій до кухонної стіни.
- **Регулювання ніжок духової шафи**
Через вібрації під час використання посуд може рухатися. Цієї небезпечної ситуації можна уникнути, якщо пристрій вирівняно та збалансовано.
Для гарантування безпеки вирівняйте пристрій, відрегулювавши чотири нижні ніжки, повертаючи їх праворуч або ліворуч, і сумістивши рівень з робочою поверхнею.

Остання перевірка

1. Відкрийте вентиль подачі газу.
2. Перевірте надійність усіх з'єднань.
3. Залпаліть конфорки й перевірте на появу полум'я.



Полум'я має бути блакитним і мати звичайну форму. Якщо полум'я жовтішає, перевірте правильність положення кришки конфорки або очистіть конфорку.

Перехід на інший тип газу



НЕБЕЗПЕЧНО:

Перш ніж розпочинати будь-які роботи зі установки газового обладнання, перекрийте постачання газу. Існує ризик вибуху!

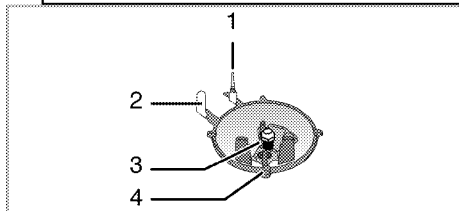
Щоб перевести пристрій на інший тип газу, замініть усі інжектори і виконайте регулювання полум'я на всіх клапанах у положенні мінімальної подачі газу.

Заміна інжекторів для конфорок

1. Зніміть кришку та корпус конфорки.
2. Вигвинтіть інжектори, повертаючи проти годинникової стрілки.
3. Встановіть нові інжектори.
4. Перевірте надійність всіх з'єднань.



Розташування нових інжекторів
вказано на упаковці чи в таблиці
Таблиця інжекторів, стор. 11.



- 1 Запобіжник гасіння (залежно від моделі)
- 2 Запальна свічка
- 3 Інжектор
- 4 Конфорка



Не намагайтеся витягти вентиля газів
конфорок, за винятком аномальних умов.
Для заміни вентилів слід звернутися до
авторизованої сервісної служби.

Встановлення мінімального потоку газу для вентилів варильної панелі

1. Запаліть конфорку, яку слід відрегулювати, і, повернувши ручку, зменшіть горіння до мінімуму.
2. Зніміть ручку регулятора з крана подачі газу.
3. До гвинта регулювання подачі газу застосуйте викрутку відповідного розміру.

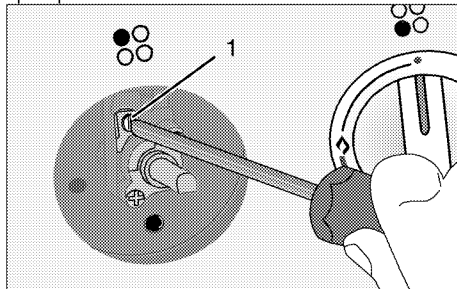
Для скрапленого нафтового газу (бутан-пропан) слід повернути гвинт за годинниковою стрілкою.

Для природного газу слід один раз повернути гвинт **проти годинникової стрілки**.

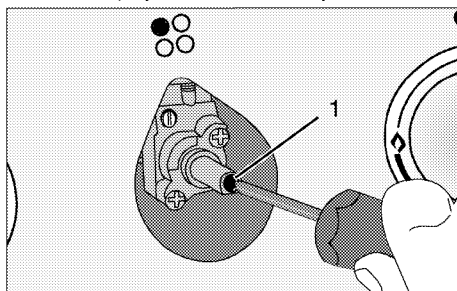
» Нормальна висота прямого полум'я у положенні мінімального потоку має становити 6-7 мм.

4. Якщо полум'я вище, поверніть гвинт за годинниковою стрілкою в потрібне положення, якщо нижче – поверніть у зворотному напрямку.
5. Насамкінець для контролю переведіть конфорку на високе полум'я, далі – на мінімальний потік і перевірте, чи горить полум'я.

Положення гвинта регулювання подачі залежить від типу крана подачі газу, використовуваного у пристрої.



1 Гвинт регулювання подачі газу

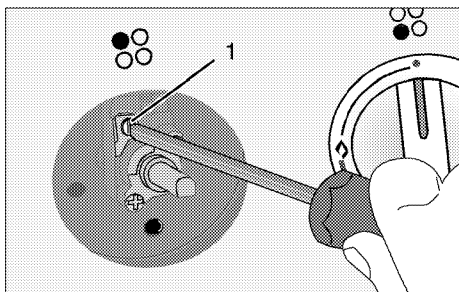


1 Гвинт регулювання подачі газу

Регулювання мінімальної подачі для газової духовки

Для правильної роботи духовки надзвичайно важливо виконати повторну перевірку налаштування подачі газу. Для максимальної безпеки ці дії слід виконувати обережно.

1. Запаліть конфорку, яку слід відрегулювати, і, повернувши ручку, збільшіть горіння до максимуму.
2. Закрийте дверцята духовки і зачекайте 10-15 хвилин, поки вона нагріється для регулювання.
3. Зніміть ручку.
4. Через 15 хвилин встановіть найменшу потужність горіння.



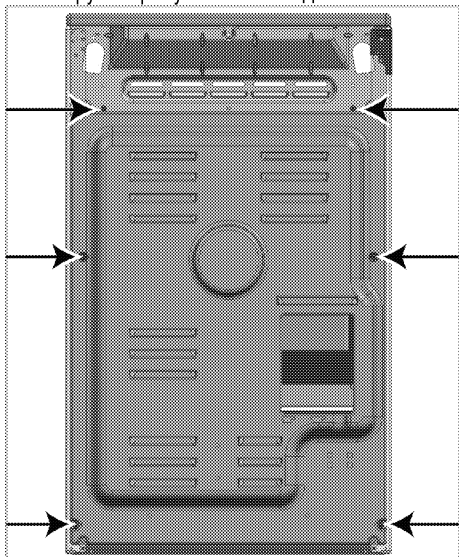
5. Встановіть висоту полум'я на 2-3 мм, регулюючи гвинт 1 на термостаті духовки. Поворот гвинта за годинниковою стрілкою зменшує полум'я, проти годинникової стрілки – збільшує.

i Якщо не вдасться виконати регулювання подачі газу духовки після зняття ручки регулювання, зніміть панель управління, а потім вже виконайте регулювання подачі газу.

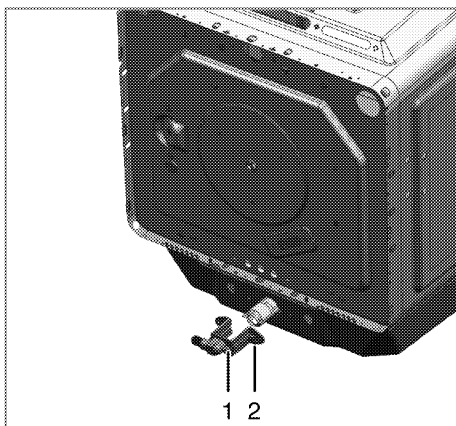
i Якщо температура духовки раптово зростає, вимкніть духовку і зверніться до авторизованої сервісної служби для ремонту термостата.

Заміна інжекторів для духовки

1. Викрутіть фіксуючі гвинти задньої стінки.

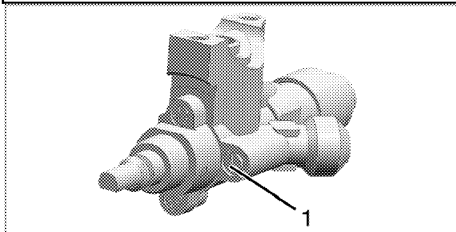


2. Викрутіть два гвинти (2) тримача інжектора (1).



- 1 Тримач інжектора
- 2 Гвинт
3. Вийміть тримач інжектора.
4. Вигвинтіть інжектори, повертаючи проти годинникової стрілки.
5. Встановіть новий інжектор.

i Якщо тип газу для пристрою змінено, також слід замінити паспортну табличку, на якій зазначено тип газу, використовуваний пристроєм.



| Бутан/пропан | Природний газ |
|--------------------------|---------------|
| Затягніть гвинт до кінця | Ослабте гвинт |
| | 1/2 повороту |
| | |

4 Підготовка

Поради щодо збереження електроенергії

Наведені нижче поради допоможуть використовувати пристрій, не завдаючи шкоди навколишньому середовищу та зберігаючи електроенергію:

- Користуйтеся темним чи емальованим посудом: це покращить передачу тепла.
- Під час приготування виконуйте процедуру розігрівання, якщо вона рекомендована у посібнику користувача чи рецепті.
- Під час приготування їжі не відчиняйте дверцята духової шафи занадто часто.
- Якщо це можливо, намагайтеся готувати в духовій шафі кілька страв одночасно. Ви можете готувати, розмістивши два контейнери з продуктами на решітчастому грилі.
- Готуйте одну страву за іншою, адже духовна шафа вже розігріта.
- Розморозуйте заморожені продукти перед приготуванням.
- Використовуйте каструлі/сковорідки з кришками для приготування. Якщо кришки немає, енергоспоживання може зрости в 4 рази.
- Оберіть конфорку, що відповідає розміру використовуваної каструлі. Обирайте для страв каструлі правильного розміру. Більші каструлі потребують більше електроенергії.

Початок використання

Початкове очищення виробу



Деякі засоби для миття або матеріали для чищення можуть пошкодити поверхню. Під час чищення не використовуйте агресивні засоби для миття, порошки/рідини для чищення або гострі предмети.

1. Видаліть всі пакувальні матеріали.

2. Протріть поверхні виробу вологою тканиною чи губкою, а потім витріть насухо.

Перше розігрівання

Нагрівайте прилад протягом приблизно 30 хвилин, а потім вимкніть його. Таким чином буде випалено будь-які залишки речовин після виробництва або шари консервуючих речовин.



ПОПЕРЕДЖЕННЯ!

Гарячі поверхні можуть стати причиною опіків!

Під час використання пристрій може нагріватися. Не торкайтеся гарячих конфорок, внутрішніх частин духової шафи, нагрівальних елементів тощо. Не допускайте дітей до пристрою. Для установки й виймання страв з нагрітої духової шафи користуйтеся спеціальними термостійкими рукавицями.

Газова духовна шафа

1. Витягніть з духової шафи всі дека й решітчастий гриль.
2. Закрийте дверцята духової шафи.
3. Виберіть максимальне нагрівання для газової духової шафи; див. *Використання газової духовки, стор. 19*.
4. Дайте духовій шафі попрацювати протягом 30 хвилин.
5. Вимкніть духову шафу; див. *Використання газової духовки, стор. 19*.



Після першого вмикання протягом кількох годин можуть з'явитися запахи і дим. Це цілком нормально. Забезпечте достатню вентиляцію приміщення, щоб усунути дим і запахи. Не вдихайте дим і запахи, що виділяються.

5 Правила експлуатації варильної панелі

Загальна інформація щодо приготування



Не заповнюйте каструлю рослинною олією понад третину. Під час нагрівання олії не залишайте варильну панель без нагляду. Перегріта олія може спричинити пожежу. **Не намагайтеся загасити пожежу водою!** При займанні олії накрийте посуд ковдрою чи вологою тканиною. Якщо це безпечно, вимкніть варильну панель і зателефонуйте до пожежної служби.

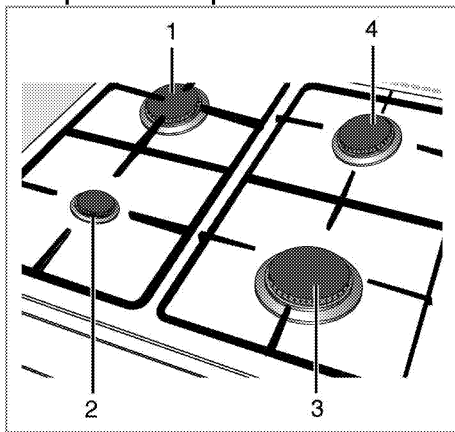
- Завжди ретельно висушуйте продукти перед смаженням й обережно опускайте їх у гарячу олію. Перед смаженням переконайтеся, що заморожені продукти цілком розморожені.
 - Під час нагрівання олії не накривайте посуд кришкою.
 - Розміщуйте сковорідки й каструлі так, аби їхні ручки не були розташовані над варильною панеллю для запобігання нагріванню. Не ставте на варильну панель нестійкий або здатний до перекидання посуд.
 - Не ставте на увімкнені зони нагрівання порожній посуд і каструлі. Це може їх пошкодити.
 - Використання зони нагрівання без посуду чи каструлі спричинить пошкодження приладу. Після завершення приготування вимкніть зони нагрівання.
 - Оскільки поверхня приладу може бути гарячою, не ставте на неї пластиковий чи алюмінієвий посуд.
- У посуді з вищезгаданих матеріалів не варто зберігати й продукти.
- Використовуйте лише каструлі й посуд із плоским дном.
 - Наповнюйте каструлі та сковорідки достатньою кількістю їжі. Таким чином ви запобігатимете проливанню страв і зайвому чищенню.
- Не кладіть на зони нагрівання кришки каструль або сковорідок.

Розташуйте каструлі по центру зони нагрівання. При бажанні перемістити каструлю на іншу зону нагрівання, замість посувати, підніміть і поставте її на потрібну зону.

Приготування на газу

- Розмір посуду має відповідати обсягу газового полум'я. Налаштуйте полум'я так, аби воно не виходило за межі дна посуду, й розташуйте посуд по центру тримача.

Використання варильних панелей



- 1 Нормальний пальник 18-20 см
- 2 Додатковий пальник 12-16см
- 3 Пальник додаткового нагрівання 20-22 см
- 4 Нормальний пальник 18-20 см перелік рекомендованих діаметрів посуду для використання на відповідних конфорках.

Зображення великого полум'я відповідає максимальній потужності нагріву, маленького полум'я – мінімальній потужності. У положенні "вимкнуто" (верхньому) подачу газу до пальників заблоковано.

Запалювання газових пальників

Конфорка не оснащена функцією автоматичного розпалювання. Скористайтеся запальничкою або сірником.

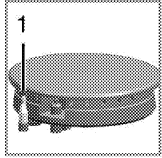
1. Утримуйте ручку управління конфоркою натиснутою.
2. Поверніть її проти годинникової стрілки й установіть на зображення великого полум'я.
3. Запаліть варильну панель за допомогою запальнички.

4. Відрегулюйте потужність полум'я.

Вимикання газових пальників

Поверніть ручку зони нагрівання у вимкнене (верхнє) положення.


Запобіжна система вимикання газу (у моделях із термічним компонентом)



1. Запобіжна система вимикання газу

Задля запобігання гасінню пальників через виливання рідини спрацьовує спеціальний механізм і перекриває подачу газу.

- Натисніть ручку всередину та поверніть проти годинникової стрілки, щоб запалити газ.
- Коли газ буде запалено, натисніть й утримуйте ручку протягом 3-5 секунд, аби увімкнути запобіжну систему.
- Якщо газ не буде запалено після того, як ви натиснете й відпустите ручку, повторіть процедуру, натиснувши й утримуючи ручку протягом 15 секунд.

| | |
|---|--|
|  | НЕБЕЗПЕЧНО: Якщо протягом 15 секунд запалення конфорки не відбулося, відпустіть кнопку. Повторіть спробу щонайменше через 1 хвилину. Існує ризик накопичення газу та вибуху! |
|---|--|

6 Використання духовки

Загальна інформація щодо запікання, смаження



ПОПЕРЕДЖЕННЯ!

Гарячі поверхні можуть стати причиною опіків!

Під час використання пристрій може нагріватися. Не торкайтеся гарячих конфорок, внутрішніх частин духової шафи, нагрівальних елементів тощо. Не допускайте дітей до пристрою.

Для установки й виймання страв з нагрітої духової шафи користуйтеся спеціальними термостійкими рукавицями.



НЕБЕЗПЕЧНО:

Будьте обережні, відчиняючи дверцята, оскільки назовні виходить пара.

Пара може обпалити вам руки, обличчя та/або очі.

Поради щодо запікання

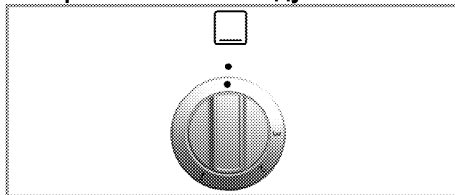
- Використовуйте металевий посуд з покриттям, яке не пригорає, алюмінієві ємності чи термостійкі силіконові форми для випічки.
- Використовуйте місце на решітці найпродуктивнішим чином.
- Встановіть форму для випікання посередині решітки.
- Вибирайте правильне положення решітки перед увімкненням духової шафи чи гриля. Не змінюйте положення решітки, якщо духову шафу гаряча.
- Дверцята духовки мають бути зачинені.

Поради щодо смаження

- Такі приправи, як лимонний сік і чорний перець, покращать результат приготування цільного курчати, індички чи великого шматка м'яса.
- Приготування м'яса з кістками триватиме на 15-30 хвилин довше, ніж смаження м'яса аналогічного розміру без кісток.
- Дотримуйтеся розрахунку: 4-5 хвилин на сантиметр висоти м'яса.
- Після завершення часу приготування залиште м'ясо в духовці на 10 хвилин. Сік краще розподілиться по всій поверхні смаженини та не виділятиметься під час різання готової страви.

- Рибу у вогнетривкому посуді слід встановити на решітку на середньому чи низькому рівні.

Використання газової духовки

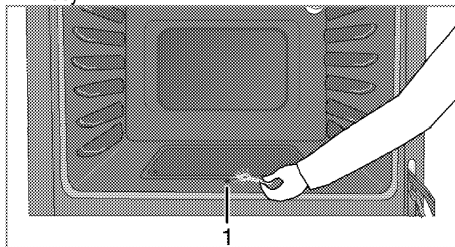


Управління функціями газової духовки здійснюється за допомогою ручки управління. У вимкненому (верхньому) положенні газ не подається.

Вмикання газової духовки

Для запалювання газової духовки скористайтеся запальничкою.

1. Відчиніть дверцята духовки.
 2. Натискаючи на ручку управління газової духовки, поверніть її **проти годинникової стрілки**.
 3. Запаліть газ через отвір для запалювання за допомогою запальнички.
 4. Натисніть і утримуйте регулятор конфорки протягом 3-5 секунд.
- » Перевірте, щоб було запалено газ і горіло полум'я.
5. Натискайте на регулятор конфорки ще 3 – 5 секунд.
 6. Виберіть потрібну потужність нагріву/позначку газу.



- 1 Отвір для запалювання

**НЕБЕЗПЕЧНО:**

Існує ризик стискання газу та вибуху!
Не намагайтеся запалити газ довше 15 секунд. Якщо протягом 15 секунд запалення конфорки не відбулося, вимкніть варильну панель і зачекайте 1 хвилину. Провітріть приміщення, перш ніж запалити конфорку. Існує ризик стискання газу та вибуху!

Вимкання газової духовки

1. Поверніть ручку газової духовки в положення "вимкнено" (вгору).

Ці рівні подачі газу означають наступне:

| | | | |
|------------------|-----|-----|-----|
| Рівень газу | 1 | 2 | 3 |
| Температура у °C | 170 | 280 | 284 |

Таблиця часу приготування

Першою полицею духовки є **нижня** полиця.



Максимальне навантаження на деко духовки: 4 кг.



Значення часу в цій таблиці слід вважати довідковими. Вони можуть змінюватися залежно від температури продуктів, товщини, виду та ваших кулінарних уподобань.

Щоб запобігти проливанню на дно духової шафи та її забрудненню, підставляйте під страви піддон для запікання.

Запікання та смаження

| Страва | Підігрівання * | Рівень встановлення дека | Положення ручки управління | Час приготування |
|----------------------------------|----------------|--------------------------|----------------------------|------------------------------|
| Пиріг з яблуками | 10 хв. | 4..5 | 1 | 25..30 хв. |
| Фруктовий пиріг | 10 хв. | 4..5 | 1 | 25..35 хв. |
| Пиріг | 10 хв. | 3..4 | 1 | 30..40 хв. |
| Печиво | 10 хв. | 4..5 | 1 | 25..35 хв. |
| Випічка | 10 хв. | 5 | 1 | 35..45 хв. |
| Кекс | 10 хв. | 3 | 1 | 30..40 хв. |
| Бісквіт | – | 4..5 | 1 | 20..30 хв. |
| Смажене м'ясо молодого баранчика | 10 хв. | 4..5 | 1 | 35..45 хв. на 450 г + 30 хв. |
| Ростбіф | 10 хв. | 2 | 1 | 50..60 хв. на 450 г + 30 хв. |
| Індичка | 10 хв. | 3..4 | 1 | 50..60 хв. на 450 г + 30 хв. |
| Свійська птиця | 10 хв. | 3..4 | 1 | 30..40 хв. на 450 г + 25 хв. |
| Запіканки | – | 4 | 1 | 90..120 хв. § |
| Риба | 10 хв. | 3 | 1 | 35..45 хв. |
| Макарони | 10 хв. | 3..4 | 1 | 35..40 хв. |
| Тістечка | 10 хв. | 4 | 1 | 30..35 хв. |
| Сандвіч «Вікторія» | 10 хв. | 3 | 1 | 22..28 хв. |

* у положенні 2 ручки управління / § залежно від кількості / # залежно від розміру

7 Догляд і технічне обслуговування

Загальна інформація

За умови регулярного очищення приладу його термін використання буде подовжено, а частоту виникнення несправностей зменшено.



НЕБЕЗПЕЧНО:

Перш ніж розпочинати роботи з обслуговування та чищення, відключіть виріб від мережі електроживлення. Існує ризик ураження електричним струмом!



НЕБЕЗПЕЧНО:

Перед очищенням пристрою зачекайте, поки він охолоне. Гарячі поверхні можуть стати причиною опіків!

- Ретельно очищуйте прилад після кожного використання. Це спрощує видалення залишків їжі та запобігає їхньому згоранню під час наступного використання приладу.
- Для чистки приладу спеціальні засоби для миття не потрібні. Використовуйте теплу воду з розчиною в ній рідиною для миття та шматок м'якої тканини чи губку, а також шматок сухої тканини для витирання насухо.
- Слідкуйте за тим, аби після очищення ретельно витирати надлишок води чи усувати проліті рештки.
- Не користуйтеся засобами, що містять кислоту чи хлор, для чистки поверхонь із нержавіючої сталі та ручки. Витирайте ці частини м'якою тканиною, змоченою в рідкому засобі для миття (не абразивному), не змінюючи напрямку.



Деякі засоби для миття або матеріали для чищення можуть пошкодити поверхню. Під час чищення не використовуйте агресивні засоби для миття, порошки/рідини для чищення або гострі предмети.



Не використовуйте для чищення парові пристрої, бо це може призвести до ураження електричним струмом.

Чистка варильної панелі

Газові варильні панелі

1. Зніміть й очистіть підставки для посуду та кришки газових конфорок.
2. Очистіть варильну панель.

3. Встановіть кришки газових конфорок і переконайтеся, що вони розташовані надійно.
4. Встановлюючи верхні елементи гриля, розташуйте підставки для посуду так, аби конфорки знаходилися по центру.

Очищення панелі управління

Протріть панель управління й ручки вологою тканиною й витріть їх насухо.



Не знімайте кнопки/ручки управління з панелі управління для чищення. Це може пошкодити панель управління!

Очищення духовки

Очищення дверцят духовки

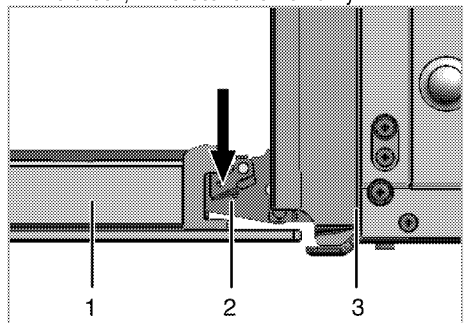
Для очищення дверцят духової шафи використовуйте теплу воду з розчиною в ній рідиною для миття та шматок м'якої тканини чи губку, а також шматок сухої тканини для витирання насухо.



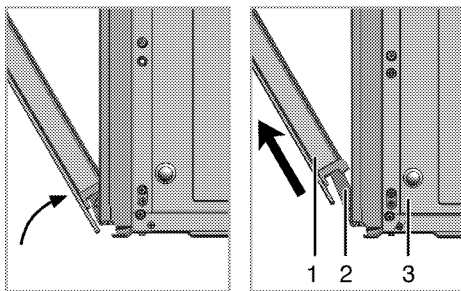
Для чищення дверцят духової шафи не користуйтеся жорсткими абразивними засобами або гострими металевими скребками. Вони можуть подряпати поверхню та пошкодити скло.

Демонтаж дверцят духової шафи

1. Відчиніть передні дверцята (1).
2. Відкрийте скоби гнізда для петлі (2) з правого та лівого боків передніх дверцят, натиснувши на скоби, як показано на малюнку.



- 1 Передні дверцята
- 2 Петля
- 3 Духова шафа



3. Трохи посуньте передні дверцята.
4. Вийміть передні дверцята, потягнувши вгору, доки вони не звільняться з правої та лівої петель.

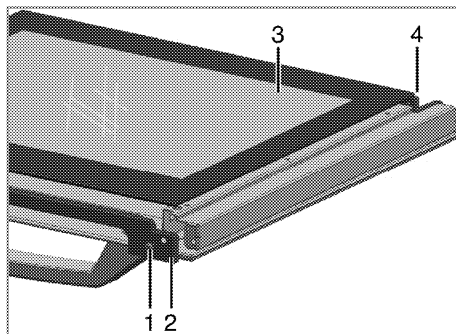


Для встановлення дверцят на місце слід повторити процес виймання у зворотному порядку. Не забудьте закрити скоби гнізда для петлі.

Виймання внутрішнього скла дверцят

Внутрішню скляну панель дверцят духової шафи можна вийняти для чистки.

1. Відчиніть дверцята духової шафи.



- 1 Гвинт
 - 2 Пластмасовий профіль
 - 3 Найглибша скляна панель
 - 4 Пластмасовий тримач
2. Викрутіть гвинт (1) викруткою
 3. Вийміть профіль (2), а потім внутрішнє скло (3).
 4. Потім знову зберіть дверцята, установіть скляну панель (3) у пластмасові тримачі (4) та згрупуйте профіль.

8 Пошук та усунення несправностей

Під час використання духового шафа виділяється пара.

- Зазвичай під час роботи з'являється пара. >>> *Це не несправність.*

Під час нагрівання й охолодження чутно «металічні» звуки.

- Коли металічні частини нагріваються, вони можуть розширюватися і створювати шум. >>> *Це не несправність.*

Немає запалювальної іскри.

- Немає струму. >>> *Перевірте запобіжники.*

Газ не подається.

- Закрито основний кран подачі газу. >>> *Відкрийте кран подачі газу.*
- Труба подачі газу зігнута. >>> *Встановіть трубу подачі газу відповідним чином.*

Конфорки не працюють правильно чи взагалі не працюють.

- Конфорки брудні. >>> *Очистіть компоненти конфорок.*
- Конфорки вологі. >>> *Висушіть компоненти конфорок.*
- Кришка конфорки не встановлена щільно. >>> *Встановіть кришку конфорки щільно.*
- Закрито кран подачі газу. >>> *Відкрийте кран подачі газу.*
- Газовий балон порожній (при використанні нафтового зрідженого газу). >>> >>> *Замініть газовий балон.*



Якщо, незважаючи на застосування інструкцій цього розділу, несправність усунути не вдалося, зверніться до представника авторизованої сервісної служби чи дилера, в якого ви придбали пристрій. Не намагайтеся відремонтувати несправний пристрій самотужки.

Виробник: "Arçelik A.S."

"Arçelik A.S.", м. Стамбул, Сютлюдже, вул. Караагач №2-6, 34445, Туреччина
(Karaağaç Caddesi No:2-6 Sütlüce, 34445, Turkey)

Офіційний представник на території України: ТОВ «Беко Україна»,
адреса: 01021, м. Київ, вул. Кловський узвіз, буд. 5 тел/факс.: 0-800-500-4-3-2

Термін служби десять років

Інформацію про сертифікацію продукту Ви можете уточнити, зателефонувавши на гарячу лінію 0-800-500-4-3-2.

Дата виробництва міститься в серійному номері продукту, що вказаний на етикетці, розташованій на продукті, а саме, перші дві цифри серійного номера позначають рік виробництва, а останні дві - місяць. Наприклад, «10-100001-05» означає, що продукт виготовлений в травні 2010 року.

Алдымен пайдаланушы нұсқаулығын оқыңыз!

Құрметті тұтынушы,


Бек оңімін тандағаныңызға рақмет. Жоғары сапамен және заманауи технологиямен өндірілген оңімнен ең жақсы нәтижелерді аласыз деп үміттенеміз. Сондықтан, оңімді пайдаланбай тұрып осы пайдаланушы нұсқаулығын және басқа құжаттарды толығымен оқып шығыңыз және болашақта пайдаланатын анықтама ретінде сақтаңыз. Егер оңімді басқа біреуге тапсырсаңыз, пайдаланушы нұсқаулығын да беріңіз. Пайдаланушы нұсқауларындағы бүкіл ескертулер мен ақпараттағы нұсқауларды орындаңыз.


Бұл пайдаланушы нұсқаулығы бірнеше басқа үлгіге де қатысты екенін есте сақтаңыз.


Нұсқаулықта үлгілер арасындағы айырмашылықтар көрсетіледі.


Белгілердің түсіндірмесі

Осы пайдаланушы нұсқаулығында келесі белгілер пайдаланылады:

| | |
|--|---|
|  | Пайдалану туралы маңызды ақпарат немесе пайдалы кеңестер. |
|--|---|

| | |
|--|--|
|  | Өмірге және меншікке қатысты қауіпті жағдайлар туралы ескерту. |
|--|--|

| | |
|--|---------------------------|
|  | Ток соғуы туралы ескерту. |
|--|---------------------------|

| | |
|--|---------------------------|
|  | Өрт қаупі туралы ескерту. |
|--|---------------------------|

| | |
|--|------------------------------|
|  | Ыстық беттер туралы ескерту. |
|--|------------------------------|

1 Қауіпсіздік және қоршаған орта туралы маңызды нұсқаулар және ескертулер 4

Қауіпсіздік техникасының жалпы ережелері 4
 Газ құралдарымен жұмыс істеу барысындағы қауіпсіздік техникасы 4
 Өнім қауіпсіздігі 6
 Дұрыс пайдалану 7
 Балар қауіпсіздігі 8
 Ескі өнімді тастау 8
 Орама материалдарын тастау 8
 Келешекте тасымалдау 9

2 Құрылғыңыз 10

Жалпы шолу 10
 Буманың құрамы 11
 Техникалық сипаттамалары 12
 Бүріккіш сипаттамалары 12

3 Орнату 13

Орнатудан бұрын 13
 Орнату және қосу 14
 Басқа газ түріне ауысу 15

4 Дайындық 18

Қуатты үнемдеу бойынша кеңестер 18
 Алғашқы қолдану 18
 Құрылғыны алғаш рет тазалау 18
 Бастапқы қыздыру 18

5 Кемпіректі қолдану жолы 19

Пісіру туралы жалпы мәліметтер 19
 Кемпіректі қолдану 19

6 Пешті іске қосу жолы 21

Пісіру, қуыру және грильде дайындауға қатысты жалпы мәліметтер 21
 Газ пешін пайдалану жолы 21
 Тағамдарды пісіру уақытының кестесі 22

7 Күту мен техникалық қызмет көрсету 23

Жалпы мәліметтер 23
 Пісіру тақтасын тазалау 23
 Басқару тақтасын тазарту 23
 Пешті тазалау 23
 Пеш есігін алу 23
 Есіктің ішкі әйнегін шығарып алу 24

8 Ақаулықтарды іздеу және жою 25

1 Қауіпсіздік және қоршаған орта туралы маңызды нұсқаулар және ескертулер

Бұл бөлім жеке жарақаттан немесе меншіктің зақымдалуынан қорғауға көмектесетін қауіпсіздік туралы нұсқауларды қамтиды. Бұл нұсқауларды орындамау бүкіл кепілдікті жояды.

Қауіпсіздік техникасының жалпы ережелері

- Бұл жабдықты 8 жастан жоғары балалар және дене, сезу немесе ақыл-ай мүмкіндіктері нашар адамдар жабдықты қауіпсіз пайдалану туралы бақылау немесе нұсқау берілсе және байланысты қауіптерді түсінсе пайдалана алады. Балалар жабдықпен ойнамауы керек. Тазалауды және техникалық қызмет көрсетуді балалар бақылаусыз орындамауы керек.
- Өнімді ешқашан кілем төселген еденге қоймаңыз. Әйтпесе, өнім астында ауаның болмауы электр бөліктердің шамадан тыс қызып кетуін тудырады. Бұл өнімде мәселелер тудырады.

- Орнату және жөндеу жұмыстарын Уәкілетті қызмет көрсету орталығының мамандары ғана орындауы қажет. Уәкілеті жоқ кісілермен орындалған іс рәсімдер нәтижесінде орын алуы мүмкін ақаулықтар үшін өндіруші жауапты емес. Орнату алыднда нұсқауларды мұқият оқып шығыңыз.
- Құрылғы бүлінген болса және көзге көрінетін ақаулықтар болса, құрылғыны іске қоспаңыз.
- Әр пайдаланудан кейін өнімнің функция тұтқыштарының өшірілуін бақылаңыз.

Газ құралдарымен жұмыс істеу барысындағы қауіпсіздік техникасы

- Газ құралдарымен және жүйелерімен орындалатын кез-келген жұмыстарды Газбен қауіпсіз жұмыс істеуге уәкілетті және білікті кісілер ғана орындаулары қажет.
- Орнатудан бұрын, жергілікті тарату жүйесінің

параметрлері (газ түрі мен қысымы) құрылғының баптауларына сәйкес келетіндігін тексеріңіз.

- Бұл құрылғы жану өнімін жоятын құралға жалғанбаған. Құрылғыны орнату және жалғау жұмыстары күші бар нормалар мен қағидаларға сәйкес орындалуы қажет. Ерекше назар желдеткіш жүйесінің талаптарына бөлінуі қажет; *Орнатудан бұрын, Бет 13* бөлімін қараңыз.
- Газ плитасын қолдану кезінде, ол орнатылған бөлмеде ыстық пен ылғал бөледі. Ас бөлме дұрыс желдетілуі қажет: табиғи желдеткіш саңылауларды ашық ұстаңыз немесе механикалық желдеткіш құралын орнатыңыз (механикалық газ плитасы үстіне орнатылатын сығынды құралы). Құрылғыны ұзақ қарқынды қолданғанда, қосымша желдеткіш қажет болуы мүмкін, мысалы механикалық сығынды құралы бар болса, қуат мөлшерін көтеру қажет.

- Газ құралдары мен жүйелері жұмыстарының дұрыстығын әрдайым тексеріп тұру қажет. Реттегішті, шлангты және оның қысқышын тұрақты түрде тексеру және өндіруші ұсынған немесе қажет болған кезеңдер ішінде ауыстыру керек.
- Газ жанарғыларын әрдайым тазалап тұрыңыз. Жалын көк болуы және тегіс жануы қажет.
- Газ құрылғыларында газ толығымен жануы қажет. Газ толығымен жанбаған жағдайда, тұншықтырғыш газ (СО) бөлінеді. Көміртегі тотығы - өте улы түссіз және иіссіз газ, ол тіптен өте аз мөлшерде де улану мен өлімге алып келеді.
- Газ жабдықтаушысынан жергілікті апаттық жағдайда қызмет көрсету орталығының телефон нөмірі мен газ иісі шыққан жағдайда қолдану қажет сақтық шаралары жайлы мәліметтерді сұраңыз.

Газ иісі шыққанда не істеу қажет

- Ашық жалынды пайдаланбаңыз немесе

темекі шекпеңіз. Ешқандай электрикалық түймешіктер арқылы іске қоспаңыз (мыс, шам түймешігі, есік қоңырау және т.б.).

Орнатылған немесе ұялы телефондарды пайдаланбаңыз. Жарылу және улану қаупі!

- Есіктер мен терезелерді ашыңыз.
- Газ құрылғысындағы барлық шүмектер мен басты басқару шүмегіндегі газ санаушын жабыңыз, егер ол жабық аймақта немесе төледе болмаса.
- Барлық құбырлар мен жалғаулардың бітеулілігін тексеріңіз. Егер газдың иісін әліде сезіп тұрсаңыз, бөлмеден шығыңыз.
- Көршілерді ескертіңіз.
- Өрт сөндірушілер тобын шақырыңыз. Үйдің сыртындағы телефонды қолданыңыз.
- Ғимарат ішіне қауіпсіз екендігін хабарламайынша кірмеңіз.

Өнім қауіпсіздігі

- Пайдалану кезінде жабдық пен қолмен жетуге болатын бөліктері қызады. Қыздыру элементтеріне тимеуді

қадағалау керек. 8 жастан төмен балаларды қадағалау болмаса, ары ұстау керек.

- Серпіліс пен қимыл жылдамдығына әсер ететін ішімдік пен дәрі-дәрмектің әсерінде болғанда құрылғыны пайдаланбаңыз.
- Тағамдарды дайындауда алкогольді ішімдіктерді қосқанда абай болыңыз. Жоғары температурада алкоголь буланып, ыстық беттерге тигенде жануы және өртке алып келуі мүмкін.
- Құрылғы жанына жанғыш заттарды қоймаңыз, себебі, қосулы кезінде бүйірлік беттері қатты қызады.
- Пайдалану кезінде құрылғы қызып кетуі мүмкін. Пеш ішіндегі қыздыру элементтеріне тимеуді қадағалау керек.
- Барлық желдеткіш тесіктерінің ашық болғанын қадағалаңыз.
- Пеште қаңылтыр және шыны құтыларда жабылған тағамдарды ысытпаңыз. Құты ішінде қысым жоғарылап, құтының жарылуына алып келеді.
- Жайпақ қаңылтыр табаны, ыдысты және алюминийлі

қытырлақ қағазын тікелей пештің төменгі жағына қоймаңыз. Тым қатты ыстық пештің төменгі жағын бүлдіруі мүмкін.

- Қатты абразивті тазартқыштарды немесе үшкір металл қырғыштарды пайдаланып, пеш есігінің шынысын тазаламаңыз, өйткені олар бетті сырып, бұл шынының сынуына әкелуі мүмкін.
- Жабдықты тазалау үшін бу тазалағыштарын пайдаланбаңыз, өйткені ток соғуы мүмкін.
- Сым тор сөресі мен жайпақ қаңылтыр табаны сым бағыттауыштарына дұрыстап қою Сым тор сөресін және/немесе табаны бағыттауышқа дұрыстап қою өте маңызды. Сым тор сөресін екі сырғытпалы жолға салып, тағамды салғанда екі жағыда тең екендігін тексеріңіз (Келесі санға қараңыз).
- Алдыңғы есігінің шынысы алынған не шытынаған болса, құрылғыны пайдаланбаңыз.
- Тағамды пешке салар немесе пештен шығарар

кезінде әрқашан ыстыққа төзімді қолғаптарды пайдаланыңыз.

- Май бар кемпірікте қадағалаусыз пісіру қауіпті болуы мүмкін және өртке әкелуі мүмкін. ЕШҚАШАН отты сумен өшіруге тырыспаңыз, құрылғыны өшіріңіз, содан кейін жалынды қақпақ немесе өртке төзімді жапқыш сияқты бірдемен жабыңыз.
- Өрт қаупі бар: пісіру беттерінде заттарды сақтамаңыз.

Өнімде өрт болмауы үшін:

- Ашаның розеткаға ұшқын тумайтындай қосылғанын тексеріңіз.
- Зақымдалған немесе кесілген кабельді, түпнұсқа кабельден басқа ұзартқыш кабельді пайдаланбаңыз.
- Розеткадағы сұйықтық немесе ылғал өнімге тимеуін тексеріңіз.
- Газ қосылымы орнатылғанын, әрі газ шығып кетпейтінін тексеріңіз.

Дұрыс пайдалану

- Бұл құрылғы тек тұрмыстық қажеттілік үшін

өндірілген. Сауда мақсатында қолданылса, кепілдігі жойылады.

- Бұл құрылғы тек тағамды пісіруге ғана арналған. Оны басқа мақсаттарда, мысалы бөлмені жылыту үшін пайдалануға болмайды.
- Құрылғыны дұрыс пайданланбау себебінен туындаған ақаулықтар үшін өндіруші жауапты емес.
- Пешті тағамдарды еріту, пісіру, қуыру және грильде дайындау үшін пайдалануға болады. .

Балар қауіпсіздігі

- Пайдалану кезінде жетуге болатын бөліктер ыстық болуы мүмкін. Кішкентай балдар алшақ жерде болуы керек.
- Орама материалдары балаларға зиянды болады. Балаларды орама материалдарынан алшақ ұстаңыз. Орама материалдардың барлық бөліктерін қоршаған орта стандарттарына сай тастаңыз.
- Электр және/немесе газ жабдықтары балалар үшін қауіпті болып табылады. Іске қосулы болғанда

балардың осы өнімнен алшақ болуы қадағалап, олардың өніммен ойнауын болдырмаңыз.

- Пештің есігіне тиіп кетпеу үшін қосымша қорғаныс құралдарын пайдалануға болады. Кішкентай балалар жақын жерде болса, осындай құралдар орнатылуы тиіс.
- Жабдықтың үстіне балалардың қол жететін ешқандай зат қоймаңыз.
- Есік ашық кезде оған ешбір ауыр затты жүктемеңіз және оған балардың отыруына жол бермеңіз. Ол аударылып кетуі не ілгектері зақымдануы мүмкін.

Ескі өнімді тастау

Орама материалдарын тастау

- Орама материалдары балалар үшін қауіпті. Орама материалдарын балалардың қолы жетпейтін қауіпсіз жерге қойыңыз. Өнімнің орама материалдары қайта өңделетін материалдардан жасалған. Қайта өңделетін қалдық нұсқауларына сәйкес сұрыптаңыз және оларды дұрыс тастаңыз.

Оларды қалыпты үй қалдықтарымен бірге тастамаңыз.

Келешекте тасымалдау

- Өнімнің бастапқы қорабын сақтап, өнімді соның ішінде тасымалдаңыз. Қораптағы нұсқауларды орындаңыз. Бастапқы қорап болмаса, өнімді көпіршікті орамаға немесе қалың қорапқа салып, тығыздап ораңыз.
- Пештің ішіндегі сымды гриль мен науаның пеш есігін зақымдамауы үшін, науалардың қалпымен бірдей орналасқан пеш есігінің ішкі жағына

картон жолағын салыңыз. Пеш есігін қапталындағы қабырғаға біріктіріп ораңыз.

- Қақпақтары мен жайпақ қаңылтыр табаны жапсырмалы лентамен нық етіп ораңыз.
- Өнімді қозғау немесе көтеру үшін оның есігін немесе ұстатқышын қолданбаңыз.



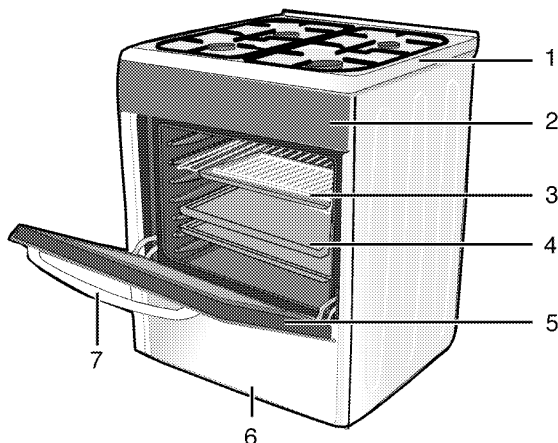
Құрылғы үстіне ешқандай заттар қоймаңыз және оны тігінен жылжытыңыз.



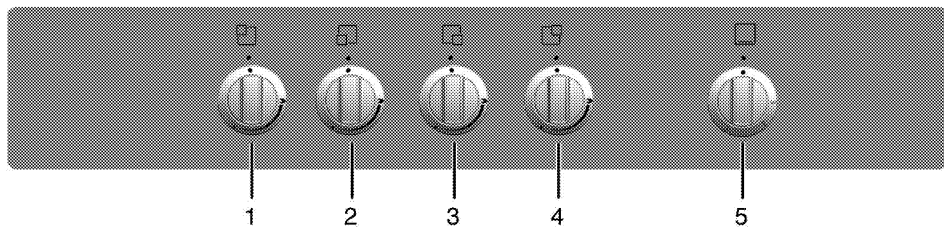
Тасымалдау кезінде туындаған болуы мүмкін өнімнің жалпы көрінісінде ешбір зақымның болмауын тексеріңіз.

2 Құрылғыңыз

Жалпы шолу



- | | | | |
|---|-----------------|---|----------------|
| 1 | Жанарғы тақтасы | 5 | Алдыңғы есік |
| 2 | Басқару тақтасы | 6 | Астыңғы бөлігі |
| 3 | Сым тор сөресі | 7 | Тұтка |
| 4 | Таба | | |



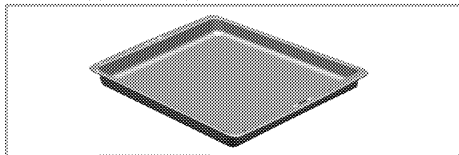
- | | |
|---|---------------------------------|
| 1 | Қалыпты жанарғы Артқы сол жақ |
| 2 | Қосымша жанарғы Алдыңғы сол жақ |
| 3 | Жылдам жанарғы Алдыңғы оң жақ |
| 4 | Қалыпты жанарғы Артқы оң жақ |
| 5 | Пеш тетігі |

Буманың құрамы

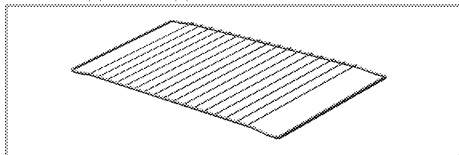


Жабдықтар құрылғының үлгісіне қарай түрлі болуы мүмкін. Пайдаланушы нұсқауында көрсетілген кейбір жабдық осы құрылғыда болмауы мүмкін.

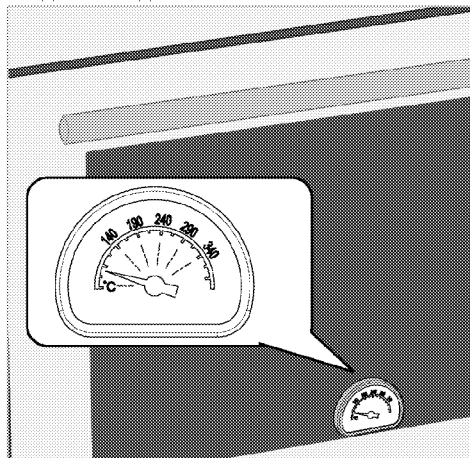
1. **Пайдаланушы нұсқаулығы**
2. **Жайпақ қаңылтыр таба**
Ұннан жасалған тағамдарды пісіруге, мұздатылған тағамдарды ерітуге және үлкен бөлікті тағамдарды қуыруға пайдаланылады.



3. **Сым тор сөресі**
Қуыруға арналған және тағамдарды қалыпта пісіру, қуыру және әзірлеу кезінде қажетті сөреге қою үшін пайдаланылады.



Ішкі температура индикаторы
Пештің ($^{\circ}\text{C}$) ішкі температура шамамен ғана танымдық үшін пайдаланылады.



i Термометр есік орналасқан. Ол кірсеткендей міні Пештің ауданының орталық нүктесінде температурасымен салыстырғанда кезде 20°C тімен.

i Термометр тілшеу тізімділік $\pm 12,5^{\circ}\text{C}$.

Техникалық сипаттамалары

| | |
|---|-----------------------------------|
| ЖАЛПЫ | |
| Сыртқы көлемдері (биіктігі / ені / тереңдігі) | 850 мм/500 мм/500 мм |
| Газ құрылғысының санаты | II 2H3B/P |
| Газ түрі / қысымы | NG G 20/20 мбар |
| Жалпы тұтынылатын газ қуаты | 9.5 кВт |
| Газ түрін / қысымын ауыстыру ⁸ | LPG G 30/30 мбар |
| – қосымша | NG G 20/13 мбар - NG G 20/10 мбар |
| ПІСІРУ ТАҚТАСЫ | |
| Жанарғылары | |
| Артқы сол жақ | Қалыпты жанарғы |
| Қуаты | 2.0 кВт |
| Алдыңғы сол жақ | Қосымша жанарғы |
| Қуаты | 1.0 кВт |
| Алдыңғы оң жақ | Жылдам жанарғы |
| Қуаты | 2.5 кВт |
| Артқы оң жақ | Қалыпты жанарғы |
| Қуаты | 2.0 кВт |
| ПЕШГРИЛЬ | |
| Басты пеш | Газды пеш |
| Пештің газ шығыны | 2.0 кВт |



Құрылғының сапасын жақсарту кезінде техникалық сипаттамалары алдын ала ескертусіз өзгеруі мүмкін.



Бұл нұсқаулықтағы суреттер үлгі ретінде берілген және құрылғының өзінен шамалы өзгешіліктері бар болуы мүмкін.



Құрылғының зат таңбасындағы немесе ілеспе құжаттағы мәндер тиісті стандарттаға сәйкес зертханалық жағдайларда алынған. Бұл мәндер құрылғыны қолдану жағдайларына байланысты өзгеру мүмкін.

Бүріккіш сипаттамалары

| Жанарғының орны | 2.0 кВт Артқы сол жақ | 1.0 кВт Алдыңғы сол жақ | 2.5 кВт Алдыңғы оң жақ | 2.0 кВт Артқы оң жақ |
|------------------------------|--------------------------|----------------------------|---------------------------|-------------------------|
| Газ түрі / газ қысымы | | | | |
| G 20/10 мбар | 125 | 90 | 145 | 125 |
| G 20/13 мбар | 116 | 84 | 123 | 116 |
| G 20/20 мбар | 103 | 72 | 125 | 103 |
| G 30/28-30 мбар | 72 | 50 | 80 | 72 |
| Газ түрі / газ қысымы | Газды пеш | | | |
| G 20/10 мбар | 125 | | | |
| G 20/13 мбар | 116 | | | |
| G 20/20 мбар | 105 | | | |
| G 30/28-30 мбар | 71 | | | |

3 Орнату

Құрылғыны күші бар қағидаларға сәйкес білікті маман орнатуы қажет. Әйтпесе, кепілдігі жойылады. Уәкілеті жоқ кісілермен орындалған іс рәсімдер нәтижесінде орын алуы мүмкін ақаулықтар үшін өндіруші жауапты емес.



Орынды және газ бен электр қондырғыларын дайындау – тұтынушы жауапкершілігінде.



ҚАУІПТІ:

Өнім жергілікті газ және электр нормативтеріне сәйкес орнатылуы тиіс.



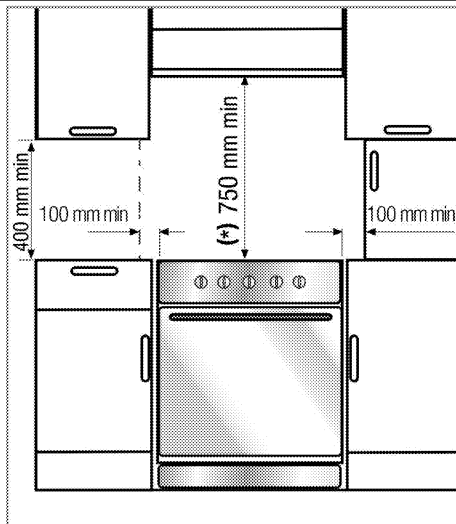
ҚАУІПТІ:

Орнатпас бұрын, өнімде кемшіліктер жоғына көз жеткізіңіз. Егер болса, оны орнатпаңыз. Зақымданған өнімдер басыңызға қауіп-қатер төндіруі мүмкін.

Орнатудан бұрын

Құрылғы астында қажетті ауа саңылауы сақталғанына сенімді болу үшін, бұл құрылғыны аяғы кілемшенің немесе жұмсартылған еденнің ішіне кіріп кетпеуі үшін қатты негіздің үстіне орнатуды ұсынамыз.

Ас бөлмесінің едені құрылғы салмағымен қоса ыдыс-аяқтар және ыстыққа төзімді ыдыс-аяқтар, тағамдар салмағын көтере алатын болуы қажет.



- Оны екі жағынан асүйлік шкафтармен пайдалануға болады, алайда кемпірек деңгейі үстінен ең аз дегенде 400 мм бос кеңістік және де құрылғы мен қабырға, қалқан және биік асүйлік шкаф арасында ең аз дегенде 65 мм бүйірлік бос кеңістік қалдыру қажет.
- Сонымен қатар, құрылғыны жеке өзін орнатуға болады. Кемпірек беті үстінен ең аз дегенде 750 мм бос кеңістік қалдырыңыз.
- (*) Сорып алу құралы асүй плитасының үстінде орнатылуы қажет болса, орнату биіктігіне қатысты асүй сорып алу құралы өндірушісінің нұсқауларына қараңыз (ең азы 650мм).
- Бұл құрылғы 1 санатты құралдары шарттарына сәйкес келеді, сондықтан оны артқы жағымен және бір жақ бүйірімен ас бөлменің қабырғаларына, ас бөлме жиһазына және кез-келген өлшемді жабдыққа кіріп тұратындай етіп орнатуға болады. **Басқа** жақ бүйіріндегі ас бөлме жиһазы немесе жабдығы бірдей немесе кішірек өлшемде болуы мүмкін.
- Құрылғы жанындағы кез-келген ас бөлме жиһазы ыстыққа төзімді болуы қажет (100 °C мин.).

Бөлмені желдету

Барлық бөлмелерде ашылатын терезе немесе баламасы, кейбір бөлмелерде сонымен қатар тұрғылықты желдеткіш құралдары болуы қажет.

Жануға қажетгі ауа бөлме ауасынан алынады және шығатын газдар тікелей бөлме ішіне таралады.

Құрылғының қауіпсіз жұмыс істеуі үшін жақсы желдетілетін бөлме тиімді болады.

Бөлмені желдету үшін не терезе не есік болмаса, қосымша желдеткіш құралы орнатылуы қажет.

Бұл құрылғыны ас бөлмеде, тамақтанатын бөлмеде немесе жатын-қонақ бөлмелерінде орнатуға болады. Жуыну құралдары бар бөлмелерде орнатуға болмайды. Бұл құрылғы көлемі 20 метрден аз жатын-қонақ бөлмелерінде орнатылмауы қажет³.

Құрылғыны жер деңгейінен төмен бөлмеге орнатпаңыз, егер ол ең болмағанда бір бүйірінен болсада жер деңгейіне ашылмаса.

| Бөлме көлемі | Желдеткішті ашу |
|-------------------------------------|------------------------------|
| 5 метрден ³ кіші | ең кемі. 100 см ² |
| 5 мм ³ 10 м ³ | ең кемі. 50 см ² |
| 10 метрден ² жоғары | қажетгі емес |
| Жертөледе немесе төменгі қабатта | ең кемі. 65 см ² |

Орнату және қосу

Құрылғыны күші бар нормалар мен ережелерге сәйкес орнату және қосу қажет.



Құрылғыны тоназытқыштардың немесе мұздатқыштардың жанына орнатпаңыз. Құрылғыдан шығатын ыстық пісіруге арналған құралдардың тоқ тұтынуын жоғарлатады.

- Құрылғыны кем дегенде екі адам көтеруі қажет.
- Құрылғыны тікелей еденнің үстіне орнату қажет. Оны негіздің немесе тіректің үстіне қондыруға болмайды.



Құрылғыны көтеру немесе жылжыту үшін есігінен және/немесе тұтқасынан ұстамаңыз. Есігі, тұтқасы немесе ілгектері бүлінуі мүмкін.

Газды қосу



ҚАУІПТІ:

Құрылғыны газбен жабдықтау жүйесіне уәкілетті және білікті маман жалғауы қажет. Кәсіпті емес жөндеулерге байланысты жарылу мен улану қаупі! Уәкілетті жоқ кісілермен орындалған іс рәсімдер нәтижесінде орын алуы мүмкін ақаулықтар үшін өндіруші жауапты емес.



ҚАУІПТІ:

Газ орнату жұмыстарын бастамас бұрын, газ берілуін өшіріңіз. Электр тогы соғуының қаупі бар!

- Құрылғыға лайықтанған газ қысымы мен түрі белгілерде көрсетілген.



Құрылғыңыз табиғи газбен (ТБ) жабдыкталады.

- Табиғи газға орнатымы құрылғыны орнатудан бұрын дайыналуы қажет.
- Газды құрылғыға жалғау үшін газ шығатын тесікке иілгіш түтікше жалғау керек және осы түтікшенің аузы тығынмен жабылуы қажет. Құрылғыны орнату кезінде қызмет көрсету орталығының маманы тығынды алып тастап, құрылғыны газ желісіне тікелей жалғастырғыш құралымен жалғайды.
- Газ шүмегі қол оңай жететін жерде тұрғанына көз жеткізіңіз.
- Құрылғыны кейінірек басқа газ түрімен пайдалану қажет болса, осындай ауысымды орнату жолы туралы кеңес алу үшін Уәкілетті қызмет көрсету орталығымен хабарласыңыз.



ҚАУІПТІ:

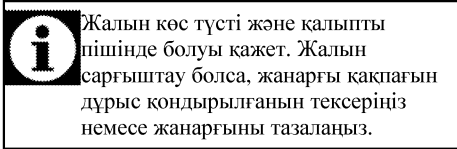
Газ түтікшесі қысылған, майысқан немесе бұралған болмауы және құрылғының ыстық беттеріне тиіп тұрмайтындай жерде орналасуы қажет. Бүлінген газ түтікшесіне байланысты жарылу қаупі.

- Құрылғыны асүй қабырғасына қарай итеріңіз.
- Пештің аяқтарын лайықтау Пайдалану кезіндегі діріл ыдыстарды қозғалтуы мүмкін. Құрылғы тегіс және

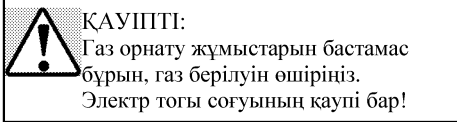
тенелген жағдайда тұрса, мұндай қауіпті жағдайды болдырмауға болады. Өз қауіпсіздігіңіз үшін, құрылғының төрт аяғын оңға немесе солға бұрау арқылы тең тұрғанын және жұмыс бетін тегіс деңгейде тұрғанын тексеріңіз.

Соңғы тексері

1. Газ берілуін ашыңыз.
2. Газ орнатулары мықты бекітіліп, орнықтырылғанын тексеріңіз.
3. Жанарғыларды жағып, жалын көрінісін тексеріңіз.



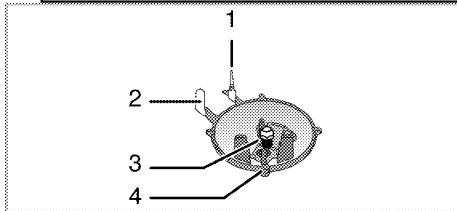
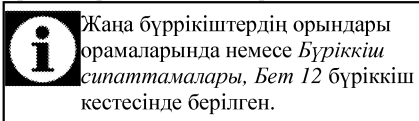
Басқа газ түріне ауысу



Басқа газ түріне ауысу үшін, құрылғының барлық бүріккіштерін ауыстырыңыз және газ берілу деңгейін төмендету үшін барлық шүмектерді реттеңіз.

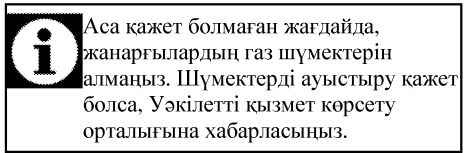
Жанарғылардағы бүріккіштерді ауыстыру

1. Жанарғы қақпағын алып, жанарғы денесін шығарып алыңыз.
2. Бүріккіштерді сағат тіліне қарсы бұрау арқылы шығарып алыңыз.
3. Жаңа бүріккіштерді салыңыз.
4. Барлық жалғаулардың мықты бекітіліп, орнықтырылғанын тексеріңіз.



- 1 Жалынды төмендету құралы (үлгіге байланысты)

- 2 Жағу шамы
- 3 Бүріккіш
- 4 Жанарғы



Газ берілуін төмендету үшін газ шүмектерін реттеу

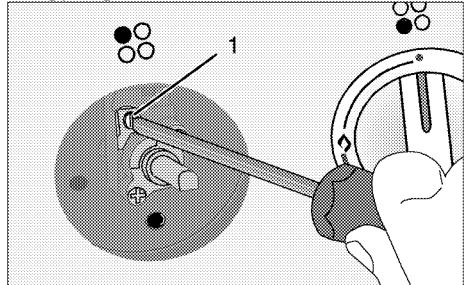
1. Реттеу қажет жанарғыны жағып, реттегіш тұтқышын төмендетілген жалын жағдайына қарай бұраңыз.
2. Реттегіш тұтқышын газ шүмегінен шығарып алыңыз.
3. Газ беру реттегішінің бұрамасына өлшемі сәйкес келетін бұрағышты пайдаланыңыз.

Сұйытылған мұнай газы (бутан-пропан) үшін бұраманы сағат тілімен бұрау қажет. Табиғи газ үшін, бұраманы бір айналымға **сағат тіліне қарсы** бұрау қажет.

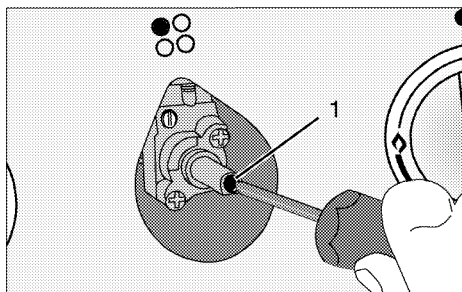
» Реттегіш ең төменгі жалын жағдайына орнатылғанда тіке жалынның әдеттегі биіктігі 6-7 мм болуы қажет.

4. Егер жалын қажетті жағдайдан биік болса, бұраманы сағат тілімен бұраңыз. Егер төмен болса, сағат тіліне қарсы бұраңыз.
5. Соңғы тексеру үшін, жанарғыштың реттегішін ең жоғары және ең төмен жалын жағдайына қаратып, жалын жанғанын не өшірілгенін тексеріңіз.

Құрылғыда қолданылатын газ шүмегі түріне байланысты, реттегіш бұрамасының орны өзгеруі мүмкін.



- 1 Газ беру реттегішінің бұрамасы

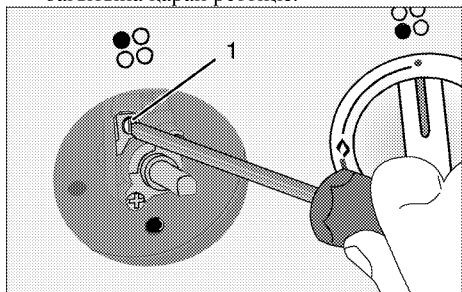


1 Газ беру реттегішінің бұрамасы

Газ пешіне арналған газдың төмендетіліп берілуін реттеу

Пеш дұрыс жұмыс істеуі үшін айналма реттеуін қайта тексеру өте маңызды болып табылады. Пайдаланушыға ең жоғары қауіпсіздік қамтамасыз ету үшін, осы әрекеттер мұқият орындалуы қажет.

1. Реттеу қажет жанарғыны жағып, реттегіш тұтқышын үлкейтілген жалын жағдайына қарай бұраныңыз.
2. Пеш есігін жабыңыз және 10 минуттан 15 минутқа дейін пеш реттеуге дайын болғанша күтіңіз.
3. Реттегіш тұтқышын алыңыз.
4. 15 минуттан соң, пешті ең төменгі жалын бағытына қарай реттіңіз.



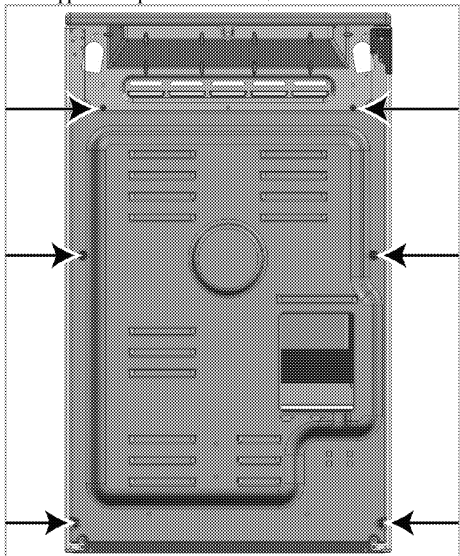
5. Жалын ұзындығын 2 мм-ден 3 мм-ге дейін пеш шүмегіндегі бұрама 1 арқылы орнатыңыз. Сағат тілі бағытымен бұрау жалынды төмендетеді, ал сағат тіліне қарсы бұрау жалынды ұлғайтады.

i Егер плитаның газ ағынының жылдамдығын алу тұтқасы көмегімен орнату мүмкін болмаса, Басқару тақтасын алыңыз да, плитаның газ ағынының жылдамдығын орнатыңыз.

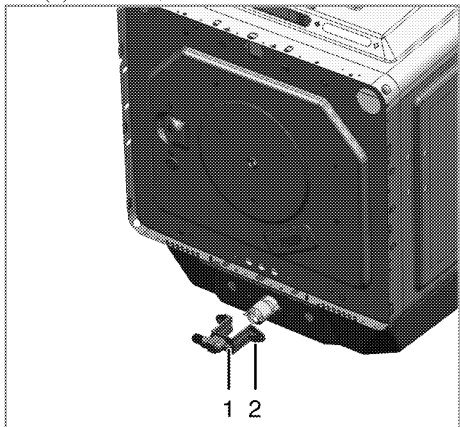
i Пештің температурасы абайсызда тым қатты жоғарылап кетсе, пешті өшіріп, пеш жылу тұрақтандырғышын жөндету үшін уәкілетті қызмет көрсету орталығының маманын шақырыңыз.

Пешке арналған бүріккіштерді ауыстыру

1. Артқы қабырғаның бекітілген бұрамаларын босатыңыз.



2. Бүріккіш ұстағышының (1) 2 бұрамасын (2) босатыңыз.

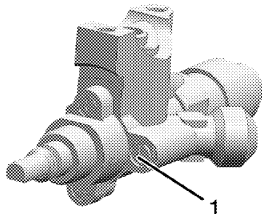


- 1 Бүріккіш ұстағышы
- 2 Бұрама
3. Бүріккіш ұстағышы шығарып алыңыз.

4. Бүріккішті сағат тіліне қарсы бұрау арқылы босатыңыз.
5. Жаңа бүріккіш орнатыңыз.



Егер құрылғының газ түрі ауыстырылса, құрылғының газ түрін көрсететін техникалық мәліметтерді беретін тақтайшада өзгертілуі қажет.



| Бутан/пропан | Табиғи газ |
|----------------------------------|--------------------|
| Бұраманы соңына дейін қатайтыңыз | Бұраманы босатыңыз |
| | 1/2 шеңбер |
| | |

4 Дайындық

Қуатты үнемдеу бойынша кеңестер

Келесі ақпарат осы құралды қоршаған ортаға зиянсыз жолмен пайдаланып, қуатты үнемдеуге көмектеседі:

- Пештің ішінде күнгірт түсті не эмальденген ыдыс-аяқ пайдаланыңыз, себебі олар ыстықты жақсы өткізеді.
- Пайдаланушы нұсқаулығында не пісіру нұсқауларында кеңес берілген болса, тағамды пісіру кезінде алдын ала қыздыруды жасаңыз.
- Пісіру кезінде пештің есігін жиі аша бермеңіз.
- Мүмкін болған жағдайларда, пешті бір уақытта бірнеше тағамды пісіруге тырысыңыз. Тағамды сымды сөреге пісіру ыдыстарын қою арқылы әзірлеуге болады.
- Бірнеше тағам әзірлейтін болсаңыз, оларды бірінен кейін бірін бірден пісіріңіз. Пешті қайта қыздырудың қажеті болмайды.
- Пісірмей тұрып, мұздатылған тағамдарды ерітіп алыңыз.
- Пісіру үшін қақпағы бар қазандарды/табаларды пайдаланыңыз. Қақпағы жоқ ыдыста пісіру қуаттың тұтынылуын 4 есеге арттыруы мүмкін.
- Тағам әзірленетін қазанның астына сәйкес келетін жанарғыны пайдаланыңыз. Әрдайым тағамдарға сәйкес келетін ыдыс өлшемін қолданыңыз. Ыдыс тағамнан үлкен болса, оны пісіру үшін көбірек қуат кетеді.

Алғашқы қолдану

Құрылғыны алғаш рет тазалау



Бет кейбір жуғыш заттарды немесе тазалағыш заттарды пайдаланғанда бүлінуі мүмкін.

Тазалау кезінде қатты жуғыш заттарын, тазалағыш ұнтақтарын/кремдерін немесе кез-келген өткір заттарды пайдаланбаңыз.

1. Барлық бума материалдарын алып тастаныз.
2. Құрылғының бетін ылғал матамен немесе губкамен сүртіңіз және матамен құргатыңыз.

Бастапқы қыздыру

Өнімді 30 минуттай қыздырып, ажыратыңыз. Осылайша, кез келген өндірістік қалдықтар немесе қабаттар жанып кетеді және жойылады.



АБАЙЛАҢЫЗ!

Ыстық беттер жануға алып келеді! Құрылғы жұмыс істеуі кезінде қатты қызуы мүмкін. Ешқашан ыстық жанарғыларды, пештің ішкі бөліктерін, ысытқыш бөліктерін және т.б. ұстамаңыз. Балаларды аулақ ұстаңыз. Тағамды пешке салар немесе пештен шығарар кезінде әрқашан ыстыққа төзімді қолғаптарды пайдаланыңыз.

Газды пеш

1. Пештен барлық пісіру науалары мен гриль торын алыңыз.
2. Пештің есігін жабыңыз.
3. Газ пешінің ең жоғарғы жану деңгейін таңдаңыз; *Газ пешін пайдалану жолы, Бет 21* бөлімін қараңыз.
4. Пешті шамамен 30 минут жұмыс істеткізіңіз.
5. Пешті ажыратыңыз; *Газ пешін пайдалану жолы, Бет 21*



Құрылғы алғашқы іске қосылғанда, бір-екі сағат бойы түтін мен иіс шығуы мүмкін. Бұл қалыпты жағдай. Түтін мен иісті кетіру үшін бөлме дұрыс желдетілетінін тексеріңіз. Шығып жатқан түтін мен иісті тікелей жұтудан сақ болыңыз.

5 Кемпіректі қолдану жолы

Пісіру туралы жалпы мәліметтер



Табаға ешқашан үштен бірінен асырып май құймаңыз. Майды қыздыру кезінде кемпіректі қараусыз қалдырмаңыз. Қатты қызып кеткен май өрт қаупін тудырады. **Өрт болып қалған жағдайда, оны ешқашан сумен өшіруге тырыспаңыз!** Май отқа тиген жағдайда, оны өртке төзімді жапқышпен немесе ылғал матамен жабыңыз. Егер кемпіректі өшіру қауіпсіз болса, оны өшіріп, өрт сөндіру бөліміне хабарласыңыз.

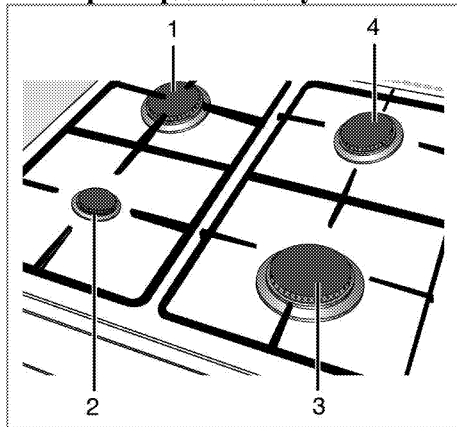
- Тағамдарды қуырудан бұрын, оларды әркәшан жақсылап құрғатып, ыстық майға жайлап салыңыз. Қуырудан бұрын мұздатылған тағамдар толығымен ерітілгеніне көз жеткізіңіз.
- Майды қыздыру кезінде, пайдаланып жатқан ыдысты жаппаңыз.
- Табалар мен кәстрөлдерді тұтқалары қызып кетпеуі үшін тұтқалары кемпірек үстінде тұрмайтындай етіп қойыңыз. Ыдыстарды кемпірек үстіне теңгерімсіз және оңай құлап кететіндей жағдайда қоймаңыз.
- Бос ыдыстарды және кәстрөлдерді пісіру аймағы үстіне қосулы кезінде қоймаңыз. Олар бүлінеді.
- Пісіру аймағын үстінде ыдыстарсыз және кәстрөлдерсіз іске қосу құрылғыны бүлдіреді. Пісіру аймақтарын тағамды пісіру толығымен аяқталған соң өшіріңіз.
- Құрылғының беті ыстық болуы мүмкіндігінен, пластика және алюминий ыдыстарды үстіне қоймаңыз. Мұндай ыдыстарды тағамдарды сақтау үшін де пайдалануға болмайды.
- Жайпақ түпті кәстрөлдер мен ыдыстарды ғана пайдаланыңыз.
- Кәстрөлдер мен табаларға тағамның тиісті мөлшерін салыңыз. Сондықтан, ыдыстардың сыртынан ағып кетуін

болдырмау арқылы қажетсіз тазалауды орындау қажет болмайды. Кәстрөлдер мен табалардың қақпақтарын пісіру аймағына қоймаңыз. Кәстрөлдерді пісіру аймағының ортасында тұратындай етіп қойыңыз. Кәстрөлді басқа пісіру аймағына жылжыту қажет болса, оны сырғытпай, көтеріп пісіру аймағына қойыңыз.

Газ кемпірегі

- Ыдыс пен жалын көлемі бір-біріне сәйкес келуі қажет. Газ жалының ыдыстың түбінен асып кетпейтіндей етіп лайықтап, ыдысты ұстағыштың ортасына қойыңыз.

Кемпіректерді қолдану



- 1 Қалыпты жанарғы 18-20 см
- 2 Қосымша жанарғы 12-16см
- 3 Жылдам жанарғы 20-22 см
- 4 Қалыпты жанарғы 18-20 см сәйкес жанарғыларда пайдаланылатын ыдыстардың ұсынылатын диаметрлерінің тізімі.

Үлкен жалын белгісі ең жоғары пісіру қуатын, ал кіші жалын белгісі ең төмен пісіру қуатын білдіреді. Өшірулі жағдайда (жоғарғы жағы), газ жанарғыларға берілмейді.

Газ жанарғыларын жағу.

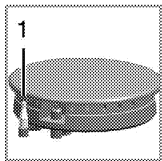
Жанарғы автоматты жану функциясымен жабдықталмаған. Оттық немесе сіріңке қолданыңыз.

1. Жанарғы тұтқышын басып тұрыңыз.
2. Оны сағат тіліне қарсы үлкен жалын белгісіне қарай бұраңыз.
3. Кемпіректі оттықпен жағыңыз.
4. Қажетті қуат деңгейін орнатыңыз.

Газ жанарғыштарын өшіру

Жылыту аймағы тұтқышын Өшірулі (жоғарғы) жағдайына қарай бұраңыз.

Газдың шығып кетуінен сақтайтын жүйе (жылу бөлігі бар үлгілерде)



1. Газдың шығып кетуінен сақтау

Жанарғылар жалын сұйықтық төгілу себебінен кенеттен өшіп қалса, газдың жіберілуін тоқтатын сақтандырғыш құрылымымен жабдықталған.

- Жағу үшін тұтқышты басып, оны сағат тіліне қарсы бұраңыз.
- Сақтау жүйесін қосы үшін, газ жанған соң, тұтқышты 3-5 секунд бойы басып тұрыңыз.
- Егер тұтқышты басып, жіберген соң газ жанбаса, тұтқышты 15 секунд бойы басып тұру арқылы сол әрекеттерді қайталаңыз.



ҚАУІПТІ:

Егер жанарғы 15 секунд ішінде жанбаса, түймешікті жіберіңіз. Қайталау үшін кем дегенде 1 минут күтіңіз. Газ жиналуы мен жарылу қаупі бар!

6 Пешті іске қосу жолы

Пісіру, қуыру және грильде дайындауға қатысты жалпы мәліметтер



АБАЙЛАҢЫЗ!

Ыстық беттер жануға алып келеді! Құрылғы жұмыс істеуі кезінде қатты қызуы мүмкін. Ешқашан ыстық жанарғыларды, пештің ішкі бөліктерін, ысытқыш бөліктерін және т.б. ұстамаңыз. Балаларды аулақ ұстаныңыз.

Тағамды пешке салар немесе пештен шығарар кезінде әрқашан ыстыққа төзімді қолғаптарды пайдаланыңыз.



ҚАУІПТІ:

Пеш есігін абайлап ашыңыз, себебі бу шығып кетуі мүмкін.

Шығып жатқан бу қолдарыңызды, бетіңізді және/немесе көздеріңізді күйдіруі мүмкін.

Пісіруге арналған кеңестер

- Күйдірмейтін құралмен қапталған металды табаларды немесе алюминий ыдыстарын немесе ыстыққа төзімді силиконды қалыптарды пайдаланыңыз.
- Сөредегі бос орынды қолданыңыз.
- Пісіру қалпын сөренің ортасына қойыңыз.
- Пешті немесе грильді қоспас бұрын сөренің дұрыс жағдайын тандаңыз. Пеш ыстық кезінде сөре жағдайын өзгертпеңіз.
- Пеш есігін жабық ұстаныңыз.

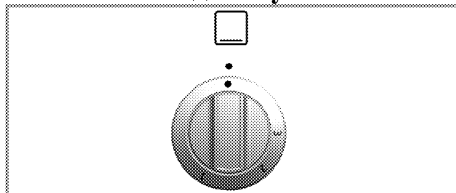
Қуыруға арналған кеңестер

- Пісіру толықтай тауық етіне, күркетауықты және үлкен бөлікті еттерді лимон шырыны және кара бұрыш секілді қатықтарды дәмдеу пісіруі тиімділігін жоғарлатады.
- Сүйекті еттерді қуыру үшін бірдей мөлшердегі сүйексіз еттерді қуырғанмен салыстырғанда 15-тен 30-қа минутқа дейін ұзағырақ уақыт кетеді.
- Ет жуандығының әрбір сантиметрі пісіру уақытының 4-5 минутын талап етеді.
- Пісіру уақыты аяқталған соң, етті пештің ішінде 10 минутқа қалдырыңыз. Шырын қуырылған еттің үстінен

жақсырақ тарайды және етті кескен кезде шығып кетпейді.

- Балық ыстыққа төзімді жайпақ тақтаға ортаңғы немесе төменгі сөреге қойылуы қажет.

Газ пешін пайдалану жолы

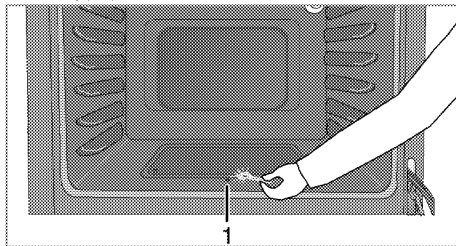


Газ пеші басқару газ пешінің басқару тетігі арқылы іске асырылады. Тетік өшірулі позициясында болғанда (жоғарғы), газ беру жүйесі өшірулі болады.

Газ пешін қосыңыз.

Газ пеші газ оттағышымен жағылады.

1. Пештің есігін ашыңыз.
2. Газ пешін басқару тетігін басып тұрып, оны **сағат тіліне қарсы бағытта** бұраңыз.
3. Газды жағуды басқару тесігінен газ оттағышымен жағыңыз.
4. Жанарғының басқару тетігін 3 - 5 секундтай басып тұрыңыз.
» Газдың тұтанғанын және жанып тұрғанын тексеріңіз.
5. Жанарғының басқару тетігін тағы 3 - 5 секундтай басып тұрыңыз.
6. Қажетті пісіру қуатын/ газ белгісін тандаңыз.



1. Оттың жануын басқару тесігі

**ҚАУІПТІ:**

Газ қысылуы мен жарылу қаупі бар!
Газды 15 секундтан артық уақыт жағуға тырыспаңыз. Егер жанарғы 15 секунд ішінде жанбаса, тұтқышты өшіріп, 1 минут күтіңіз. Жанарғыны қайта жағуға тырысудан бұрын, бөлмені желдетіңіз. Газ қысылуы мен жарылу қаупі бар!

Газ пешін өшіру

1. Газ пешін басқару тетігін өшірулі (жоғарғы) жағдайына қарай бұраңыз.

Газ деңгейінің температурасы диаграммасы

| | | | |
|------------------------|-----|-----|-----|
| Газ деңгейі | 1 | 2 | 3 |
| Температура °Ц мәнінде | 170 | 280 | 284 |

Пісіру және қуыру

| Тағам | Алдын ала қыздыру* | Салу деңгейі | Басқару тетігінің орны | Пісіру уақыты |
|--------------------|--------------------|--------------|------------------------|------------------------------|
| Алма бәліш | 10 мин. | 4...5 | 1 | 25...30 мин. |
| Жеміс-жидек тоқашы | 10 мин. | 4...5 | 1 | 25...35 мин. |
| Бәліш | 10 мин. | 3...4 | 1 | 30...40 мин. |
| Печеньелер | 10 мин. | 4...5 | 1 | 25...35 мин. |
| Пісірілген нан | 10 мин. | 5 | 1 | 35...45 мин. |
| Торт | 10 мин. | 3 | 1 | 30...40 мин. |
| Бисквиттер | – | 4...5 | 1 | 20...30 мин. |
| Қуырылған қозы еті | 10 мин. | 4...5 | 1 | 35...45 мин. 450 г + 30 мин. |
| Ростбиф | 10 мин. | 2 | 1 | 50...60 мин. 450 г + 30 мин. |
| Түйстауық | 10 мин. | 3...4 | 1 | 50...60 мин. 450 г + 30 мин. |
| Үй құсы | 10 мин. | 3...4 | 1 | 30...40 мин. 450 г + 25 мин. |
| Пісірмелер | – | 4 | 1 | 90...120 мин. [§] |
| Балық | 10 мин. | 3 | 1 | 35...45 мин. |
| Макарон | 10 мин. | 3...4 | 1 | 35...40 мин. |
| Шағын торттар | 10 мин. | 4 | 1 | 30...35 мин. |
| Виктория сэндвичі | 10 мин. | 3 | 1 | 22...28 мин. |

* басқару тетігінің 2-позициясында /[§] мөлшерге байланысты /[§] өлшеміне байланысты

Тағамдарды пісіру уақытының кестесі

Пештің 1-ші сөресі болып **төменгі** сөре есептеледі.



Пеш табасының ең жоғарғы толтыру сыйымдылығы: 4 кг (8,8 фунт).



Бұл диаграммадағы уақыттар нұсқаулық ретінде берілген. Уақытты белгілеу тағамның температурасына, қоюлығына, түріне және өзіңіздің талғамдарыңызбен пісіруге қарай өзгеруі мүмкін.

Пештің үстіне төгіліп кетуін болдырмау және пешті таза ұстау мақсатында тағамдарды пісіру табағына қойыңыз.

7 Күту мен техникалық қызмет көрсету

Жалпы мәліметтер

Құрылғы жиі аралықпен тазаланып тұрса, құрылғының қызмет көрсету мерзімі ұзартылып, ақаулықтар ықтималдығы төмендейді.



ҚАУІПТІ:

Қызмет көрсету және тазалау жұмыстарын бастамас бұрын, құрылғыны қуат жүйесінен ажыратыңыз.
Электр тогы соғуының қаупі бар!



ҚАУІПТІ:

Тазалауды бастаудан бұрын, құрылғының салқындауына уақыт беріңіз.
Ыстық беттер жануға алып келеді!

- Құрылғыны әрбір пайдаланудан кейін түгелімен тазалап шығыңыз. Осылай тағам қалдықтарын оңай алып тастауға мүмкін болады, бұл құрылғыны келесі жолы пайдаланғанда олардың жануынан сақтайды.
- Құрылғыны тазалау үшін арнайы тазалағыш заттар қажет емес. Пеш есігін тазалау үшін, құрылғыны тазалауға жуу сұйықтығымен жылы су, жұмсақ мата пайдаланыңыз және құрғақ шүберекпен сүртіңіз.
- Әрқашан тазалаудан кейін артық сұйықтық толығымен сүртілгенін және ағындылар дереу құрғатылып сүртілгенін тексеріңіз.
- Құрамында қышқыл немесе хлорид бар жуғыш заттарды тот баспайтын болатты беттерді және тұтқаны тазалау үшін пайдаланбаңыз. Сол бөліктерді тазалап сүрту үшін жұмсақ матаны сұйық (қатты емес) жуғыш затпен пайдаланып, бір бағытта сүртіңіз.



Бет кейбір жуғыш заттарды немесе тазалағыш заттарды пайдаланғанда бүлінуі мүмкін.

Тазалау кезінде қатты жуғыш заттарын, тазалағыш ұнтақтарын/кремдерін немесе кез-келген өткір заттарды пайдаланбаңыз.



Жабдықты тазалау үшін бұл тазалағыштарын пайдаланбаңыз, өйткені ток соғуы мүмкін.

Пісіру тақтасын тазалау

Газ кемпіректері

1. Кемпіректер мен жанарғы қақпақтарын шығарып алып, тазалаңыз.
2. Пісіру тақтасын тазалаңыз.
3. Жанарғы қақпақтарын өз орындарына дұрыстап қондырыңыз.
4. Жоғарғы торды орнатқанда, жанарғылар кемпіректердің ортасына қондырылғанын тексеріңіз.

Басқару тақтасын тазарту

Басқару тақтасын және тұтқаларды дымқыл матамен тазалап, оларды кептіріп сүртіңіз.



Басқару тақтасын тазалау үшін басқару түймешіктерін/тұтқыштарын алып тастамаңыз.
Басқару тақтасы бүлінуі мүмкін!

Пешті тазалау

Пеш есегін тазалау

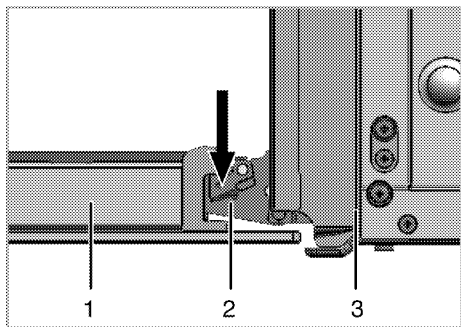
Пеш есігін тазалау үшін, құрылғыны тазалауға жуу сұйықтығымен жылы су, жұмсақ мата пайдаланыңыз және құрғақ шүберекпен сүртіңіз.



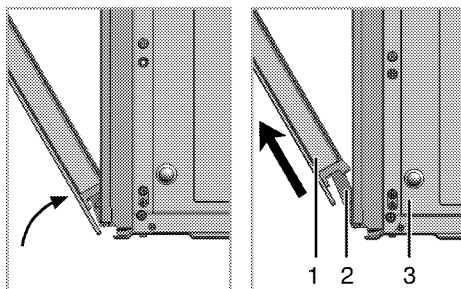
Пеш есегін тазалау үшін қатты сызғыш тазалғыштар мен өткір металды қырғыштарды пайдаланбаңыз. Олар бетіне сызаттар қалдырып, шыныны құртады.

Пеш есігін алу

1. Алдыңғы есігін ашыңыз (1).
2. Алдыңғы есіктің оң жақ және сол жақтағы ілгек саңылауларындағы (2) қысқыштарды суретте көрсетілген бойынша басу арқылы ашыңыз.



- 1 Алдыңғы есік
- 2 Қысқыш
- 3 Пеш



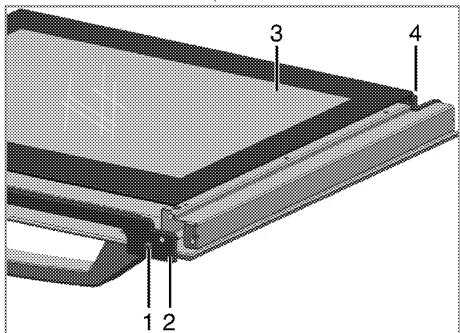
- 3. Алдыңғы есікті жартылай жылжытыңыз.
- 4. Алдыңғы есікті оң және сол жақтағы ілгектерден босату үшін жоғары қарай тартыңыз.

i Есікті орнату үшін есікті шығару кезінде орындалған қадамдар кері ретпен орындалуы қажет. Есікті қайта орнату кезінде ілгек саңылауларындағы қысқыштарды жабуды ұмытпаңыз.

Есіктің ішкі әйнегін шығарып алу

Пеш есігінің ішкі әйнек тақтасын тазалау үшін шығарып алуға болады.

- 1. Пеш есігін ашыңыз.



- 1 Бұрама
 - 2 Профиль
 - 3 Ішкі әйнек тақтасы
 - 4 Пластикалық тілім
- 2. Бұраманы (1) бұрағышпен шығарыңыз
 - 3. Профильді (2) шығарып, содан кейін ішкі әйнекке (3) ұстатыңыз.
 - 4. Содан кейін есікті қайтадан жинап, әйнек тақтаны (3) пластикалық тілімдерге (4) қойып, профильді жинаңыз.

8 Ақаулықтарды іздеу және жою

Пеш іске қосылу кезінде бу шығады..

- Жұмыс кезінде будың шығуы әдеттегі жағдай болып табылады. >>> *Бұл ақаулық емес.*

Ысығу мен салқындату кезінде құрылғы металдардың дыбыстарын шығарады.

- Метал бөліктері қызған кезде кенейіп, дыбыстар шығарады. >>> *Бұл ақаулық емес.*

Жағу кезінде от шықпайды.

- Ток жоқ. >>> *Тезегіш қоратшасындағы тезегіштерді тексеріңіз.*

Газ келмей тұр.

- Басты газ шүмегі жабық. >>> *Газ шүмегін ашыңыз.*
- Газ түтікшесі бұралып қалған. >>> *Газ түтікшесін дұрыстап орнатыңыз.*

Жанарғылар дұрыс жанбайды немесе тіпті жанбайды.

- Жанарғылар ластанып қалған. >>> *Жанарғы бөліктерін тазалыңыз.*
- Жанарғылар дымқылданып қалған. >>> *Жанарғы бөліктерін кептіріңіз.*
- Жанарғы қақпағы дұрыс орнатылмаған. >>> *Жанарғы қақпағын дұрыс орнатыңыз.*
- Газ шүмегі жабық. >>> *Газ шүмегін ашыңыз.*
- Газ баллоны бос (сұйытылған газ қолданғанда). >>> *Газ баллонын ауыстырыңыз.*



Осы бөлімде келтірілген нұсқауларды орындасаңызда ақаулықтарды жоя алмасаңыз, Уәкілетті қызмет көрсету орталығымен немесе құрылғыны сатып алған сату орталығымен хабарласыңыз. Ақаулығы бар құрылғыны өзіңіз жөндемеңіз.

McGrp.Ru



Сайт техники и электроники

Наш сайт McGrp.Ru при этом не является просто хранилищем [инструкций по эксплуатации](#), это живое сообщество людей. Они общаются на форуме, задают вопросы о способах и особенностях использования техники. На все вопросы очень быстро находят ответы от таких же посетителей сайта, экспертов или администраторов. Вопрос можно задать как на форуме, так и в специальной форме на странице, где описывается интересующая вас техника.