

Saturn[®]

ST-EC0189

INDUCTION COOKER

**ИНДУКЦИОННАЯ
ЭЛЕКТРОПЛИТА**

ІНДУКЦІЙНА ЕЛЕКТРОПЛИТА



GB
INDUCTION COOKER

Dear Buyer!
We congratulate you on having bought the device under trade name "Saturn". We are sure that our devices will become faithful and reliable assistance in your housekeeping.
Avoid extreme temperature changes. Rapid temperature change (e.g. when the unit is moved from freezing temperature to a warm room) may cause condensation inside the unit and a malfunction when it is switched on. In this case leave the unit at room temperature for at least 1.5 hours before switching it on. If the unit has been in transit, leave it indoors for at least 1.5 hours before starting operation.

Read this booklet thoroughly before using and save it for the future.

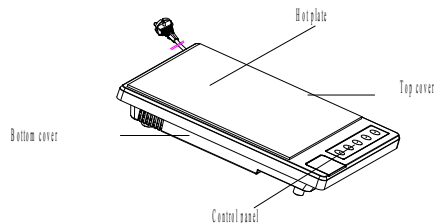
IMPORTANT SAFEGUARDS

1. Read all instructions before using.
2. Do not dismantle and refit parts or repair induction cooker yourself.
3. Do not contact with plug with wet hands, when the cord is damaged or plug is not inserted in place, do not use the appliance.
4. Never bend or bind power cord or apply excessive force to it, otherwise it will be damaged, if power cord is damaged, turn to an authorized service center. To avoid electric shock, do not replace power cord by yourself.
5. Please use above 15A appropriate electrical outlet, never use all-purpose outlet and do not use the appliance together with the other one.
6. Place the unit on the stable surface and keep at least 10 cm distance between cooker body and adjacent objects.
7. Never use the appliance in damp surrounding or close to fire.
8. Never rinse the appliance with water directly to avoid damaging.
9. Never use the appliance at the place where children can reach it.
10. Do not cook without load or overcook. Otherwise it will cause the cooker deformation.
11. Metallic objects such as knives, forks, spoons, lids should not be placed on the hotplate since they

can get hot. Remove the cover before canned food is heated, to avoid the risk resulting from heat expansion.

12. Do not carry the appliance during operation.
13. Do not put pins and metal wire and foreign objects into air intake/vent.
14. Be careful, do not drop objects on the hotplate, in case cracks occur, turn off the power supply immediately, unplug it from the outlet and send it to repair.
15. Total weight containing using pan and loaded food shall not exceed 4 kg, otherwise it will damage cooker body.
16. Continuous operation time shall not exceed 4h, if necessary please stop for 30 min during operation period and then continue to use.
17. Do not use the appliance on carpet or tablecloth, otherwise it will jam gas intake.
18. After cooking, high temperature heat produced by pan will conduct onto the appliance, never touch the top hotplate immediately.
19. Do not use the appliance near gas range or stove or in similar surrounding.
20. When not in use, unplug the power cord. During use high frequency noise will be heard for it is resulted from metal materials of pan, it is not malfunction. If the pan is moved slightly, the noise will disappear, during use the running sound of fan will be heard for the fan will rotate sometimes to reduce inner heat.
21. Do not place a sheet of paper between the pot or the pan and the unit. The paper may get burnt.
22. Do not place near objects which are affected by magnet, such as: radios, televisions, automatic-banking cards.
23. This appliance is not intended for use by persons (including children) with reduced physical, sensory or mental capabilities, or lack of experience and knowledge, unless they have been given supervision or instruction concerning use of the appliance by a person responsible for their safety.
24. The appliance is not intended to be operated by means of an external timer or separate remote-control system.
25. Save these instructions.
Service life - 2 years

DESCRIPTION



CONTROL PANEL



FUNCTION INSTRUCTION

1. Press "⏻" button to start the unit. LED display will show "00".
2. Heating function setting: press FUNCTION button once, LED will displays corresponding **P8** as the default power is 1800W, and the HEAT indicator will light up, it means entering heating mode, and power can be adjust by pressing "⏻" or "⏪" button to the following value: P1(400W)-P2(600W)- P3(800W)- P4(1000W)-P5(1200W)- P6(1400W)-P7(1600W)-P8(1800W).
3. Warming function setting: press FUNCTION button again, LED displays **H6** as the default temperature is 240°C, and the WARM indicator will light up, it means entering warming mode, and the warming temperature can be set by pressing "⏻" or "⏪" button to the following value: H1(60°C)-H2(100°C)-H3(140°C)-H4(180°C)-H5(220°C)-H6(240°C).
4. Timer function setting: under mode of HEAT or WARM, press TIME button once to enter timer setting which is used for setting the time to shut off the power, at this time the LED displays **10**, the default time is 10 minutes.

1. Within 5s press "⏻" or "⏪" button to set time, the maximum set time is 99 minutes.
2. The " " and " " buttons can be

hold down to scroll through the digits, or pressed and released to advance one digit at a time.

Note: If the time is not adjusted within 5s, the time setting will be finished.

3. Press the TIMER button to confirm the time, and buzzer sound will be heard.
5. The unit will stop automatically when no button is pressed within 2h.

OPERATION

1. Insert power cord into a separate appropriate socket, and buzzer sound will be heard once, LED display will show "- -", indicating the unit is powered.
2. Place the pan on the center of the hot plate.
3. Press "⏻" button, LED display will show "00".
4. Press the FUNCTION button once, LED display will show corresponding setting, and at the time the fan starts running, the default power of left unit is P8 (1800W), which can be adjusted by pressing "⏻" or "⏪" button, the LED display shows "E0" if the pan is not placed in position and buzzer sound will be heard at an interval of 3 second. The appliance will return under the standby mode immediately if you place the pan in position within 60s, if you do not place the pan in position within 60s, after 60s, the appliance will also return under standby mode.
5. Press FUNCTION button again to enter WARM setting. The default temperature is 240°C, the LED display shows "H6", which can be adjusted by pressing " " or " " button, when the temperature rises to the set value, the program will enter the automatic protection.

Note: you can reset the function by pressing FUNCTION button at any time during operation.

6. Under mode of HEAT or WARM, you can set the time to shut-off the power by pressing TIME button.
 1. After timing, power and time will cycle to display. You can adjust the power by pressing

"⏻" or "⏪" button.

2. After timing, press "⏻" or "⏪" button to adjust the temperature, temperature and time will cycle to display.

Note: under timing shut-off mode, the unit can be shut off by pressing "⏻" button, after being shut off, the timing shut-off setting will be cancelled, and at the next start the previous set time will not be saved.

7. When time runs out, the unit will stop operating automatically and all indicators will be extinguished.

Note: the operation process can be terminated at any time by pressing the "⏻" button. When cooking program is ended the integrated cooling fan will continue running for 60 seconds.

8. After cooking, unplug the mains cord from the power outlet.

OPERATION PRINCIPLE

The operation principle of induction cooker is achieved by the current produced by magnetic field induction which electron circuitry board produces alternate magnetic field, when the pan bottom containing metal material is placed on the hotplate, the pan will immediately cut the alternate magnetic field and then the metal part of pan bottom produces the current (whirlpool), it makes iron molecule run irregularly at high speed, following the collision and friction between molecules produce heat energy which makes the appliance heat promptly, so that the purpose of cooking food is achieved.

PRODUCT ADVANTAGE

1. High efficiency, saving energy and environmental protection: cooker body is heating part itself, so heat efficiency is very high and save energy greatly, when cooking food with induction cooker, there is no visible fire, smoke and waste gas, bear environment protection effect, safe and clean.
2. Wider applicable voltage range: the unit can adjust automatically the wattage according to the power voltage, so that it avoids the trouble resulting from voltage fluctuation.

3. Perfect safety protection function: the unit has safe protection function for over voltage, lower voltage or sudden voltage change. However normal over temperature function is quick and accurate.
4. Accurate and perfect inspection for pan quality and no-load protection function: the unit can inspect whether the material or size of pan is applicable. When the pan is moved away, the unit stops heating immediately and after 10s the power is cut off. No matter how the pan is moved away quickly or slowly, it causes no damage to induction cooker.
5. Start self-diagnosis function and 2h timing shut-off function: it can define whether induction cooker operation are appropriate, that induction cooker is not being operated for long time and will be considered forgotten, it will shut of the power automatically after 2h, so it makes using it safely.
6. Multi-section wattage adjustment and multi-section temperature control: convenient and agile use, in addition temperature control compensation feature makes setting the temperature more exact.
7. Multi-heating function: perform different cooking demand according to different power.

SAFETY PROTECTION EQUIPMENT

1. Over voltage protection and lower voltage protection. When power voltage is too high or low, induction cooker will compensate voltage automatically and adjust output power.
2. Small metal part protection. For small iron metal parts which diameter is less than 80mm, no power is outputted to avoid abnormal heating.
3. No pan or improper pan protection. When no utensil is placed on the hotplate or the utensil is deviated greatly from the center, or the material of the utensil is not applicable, the power will not be output and buzzer sound will be heard to alert until appropriate utensil is put in place.
4. Over temperature protection. When the temperature of top hotplate is too high, induction cooker will stop automatically power output and long buzzer sound will be heard to alert until the temperature returns to normal.

- High voltage pulse protection. During operation, when power supply receives a transient high voltage pulse (such as lightning strike), induction cooker will stop automatically and in a minute will resume automatically.

COOKING UTENSIL SELECTION

- Useable pans. Steel or cast iron, enameled iron, stainless steel, flat-bottom pans/pots with diameter more than 18.5cm.
- Non-usable pans. Heat-resistant glass, ceramic container, copper, aluminum pans/pots. Round-bottom pans/pots with bottom diameter less than 18.5cm.

CARE AND MAINTENANCE

- Please unplug from power outlet before care and maintenance.
- When ceramic hotplate is dirty, wipe it with wet cloth, or after wipe it with detergent or burnishing powder, clean it with wet cloth.
- Wipe unit body and control panel with soft and wet cloth, neutral cleanser may be used for firm oil

TROUBLE SHOOTING

If the problem occurs during operation, please make the check according to the following table before returning it to repair.

TROUBLE	CHECKING POINT
When plug is inserted into the power outlet, a beep sound will not be heard and the indicator will not be lighted when pressing POWER button	Whether the plug is removed from the outlet.
	Whether power switch or fuse in your home is cut off
	Whether power is cut off
Continuous 15s beep sound will be heard and then the unit stop operating.	Whether the pan is proper
	Whether the pan is centered on the hotplate
	Whether the bottom diameter of the pan is more than 18.5cm
The unit stops heating suddenly during use	Whether ambient temperature is very high
	Whether air intake or vent is jammed
	It means reaching the set temperature when the unit is at TEMP state
	Protection equipment may operate, confirm it after waiting from several to 10 minutes

- stain, and then wipe the remained residue with soft and wet cloth.
- Never rinse directly with water or immerse it in water.
- Keep the unit clean regularly to prevent black beetle entry into the fan so that the unit will fail, the surface of air intake and vent may be cleaned (such as dust, smear) with cotton bar, a little detergent added on the toothbrush may be used for cleaning.

CONTRAST CHART OF THERMAL EFFICIENCY (based on 1l water)

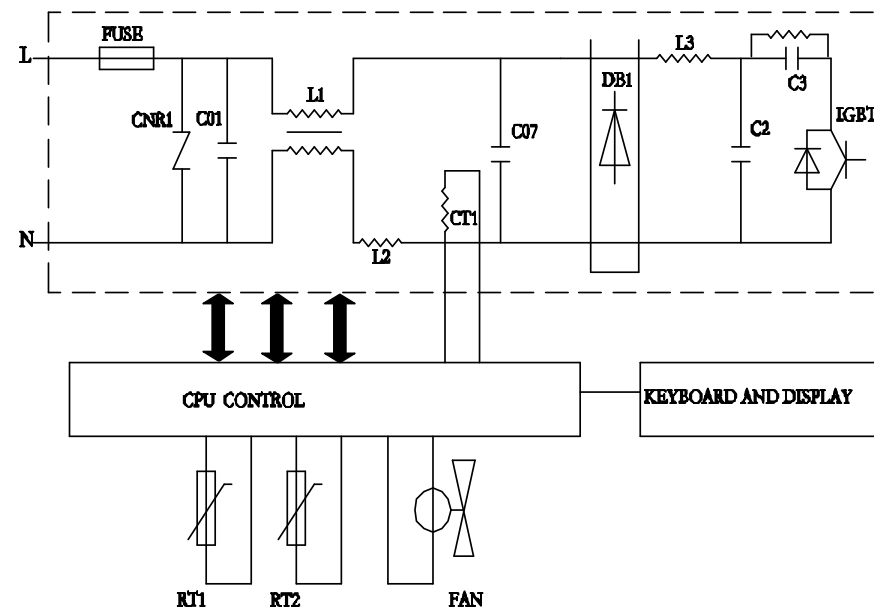
Cook-er type	Time	Gas(or electrici-ty) consumption	Thermal effi-ciency
Induc-tion cook-er	6.7mi n	0.2 kw/h	93%
Gas cook-er	8 min	0.05 kg	50%
Electr-ic cook-er	12 min	0.345 kw/h	47%

The temperature cannot be controlled when frying or grilling food.	Whether the pan bottom is concavo-convex or the bottom center is concave
	Whether power indicator is lighted

The induction cooker will stop heating if the following malfunctions occur, after 3s, the display will show the malfunction alarm, the malfunction code will show on the center of display, you can clear the display by pressing the switch button, and the appliance will enter the standby mode.

DISPLAY	DIRECTION
E0	check whether the pan is in place
E1	the circuit is malfunctioned
E2	the temperature sensor is open-circuited or short-circuited
E3	the voltage is higher (260V-275V) for 3s
E4	the voltage is lower (165V-190V) for 3s
E5	the cooker surface temperature is higher
E6	IGBT temperature is higher than 95°C for 3s
E7	the IGBT temperature sensor is open-circuited or short-circuited

CIRCUIT DIAGRAM



Specification

Power	1800 W
Rated voltage	220-230 V
Rated frequency	50 Hz
Rated current	8.2 A

Set

INDUCTION COOKER	1
INSTRUCTION MANUAL WITH WARRANTY CARD PACKAGE	1

ENVIRONMENT FRIENDLY DISPOSAL



You can help protect the environment!

Please remember to respect the local regulations: hand in the non-working electrical equipment to an appropriate waste disposal center.

The manufacturer reserves the right to change the specification and design of goods.



ИНДУКЦИОННАЯ ЭЛЕКТРОПЛИТА

Уважаемый покупатель!

Поздравляем Вас с приобретением изделия торговой марки "Saturn". Уверены, что наши изделия будут верными и надежными помощниками в Вашем домашнем хозяйстве.

Не подвергайте устройство резким перепадам температур. Резкая смена температуры (например, внесение устройства с мороза в теплое помещение) может вызвать конденсацию влаги внутри устройства и нарушить его работоспособность при включении. Устройство должно отстояться в теплом помещении не менее 1,5 часов. Ввод устройства в эксплуатацию после транспортировки производить не ранее, чем через 1,5 часа после внесения его в помещение.

Внимательно прочтите эту инструкцию перед использованием и сохраните её.

МЕРЫ ПРЕДОСТОРОЖНОСТИ

1. Внимательно прочтите инструкцию перед использованием.
2. Не разбирайте и не ремонтируйте

электроплиту самостоятельно.

3. Не подключайте шнур питания мокрыми руками. В случае повреждения шнура питания не включайте его в сеть.
4. Не сгибайте и не связывайте сетевой шнур, не прилагайте чрезмерных усилий, т.к. это может привести к его повреждению. В случае если кабель питания поврежден, обратитесь в авторизованный сервисный центр. Чтобы избежать поражения электрическим током, не заменяйте шнур питания самостоятельно.
5. Подключайте электроприбор к соответствующей розетке (15А). Не используйте для подключения универсальные розетки, а также не используйте одновременно с другим электроприбором.
6. Установите электроплиту на устойчивой поверхности. Следите за тем, чтобы расстояние между корпусом плиты и окружающими предметами было не меньше 10 см.
7. Не используйте электроприбор в помещениях с повышенной влажностью или вблизи от источников огня.
8. Во избежание повреждений, не промывайте электроплиту водой. Для очистки пользуйтесь влажной губкой.
9. Держите электроприбор подальше от детей.
10. Не включайте электроплиту вхолостую, и не используйте её слишком долго, т.к. это может привести к её повреждению.
11. Металлические предметы, такие как ножи, вилки, ложки, крышки не должны попадать на плиту, так как они могут нагреться. Снимайте крышку перед нагреванием консервов, чтобы избежать риска в результате теплового расширения.
12. Не переносите электроприбор во время работы.
13. Не вставляйте пальцы или другие предметы в отверстие воздухазборника или вентиляции.
14. В случае повреждения рабочей поверхности немедленно выключите питание, отключите прибор от сети и обратитесь в авторизованный сервисный центр для ремонта.
15. Общая максимальная масса установленной на плиту посуды вместе с пищей не должна превышать 4 кг, иначе корпус плиты может быть поврежден.
16. Время непрерывной работы не должно превышать 4 часов, в случае необходимости сделайте 30 мин перерыв, после чего Вы снова сможете продолжить использование.
17. Не используйте прибор на ковре

или скатерти, так как это будет препятствовать забору воздуха для охлаждения.

18. Не прикасайтесь к верхней поверхности плиты сразу после приготовления пищи, т.к. она может быть горячей.
19. Не используйте электроприбор вблизи газовой или электрической плиты.
20. Отключайте шнур питания, когда Вы не используете плиту. Во время использования может быть слышен высокочастотный звук, издаваемый металлическими частями электроплиты, для его прекращения достаточно немного передвинуть прибор. Также во время использования может быть слышен звук работающего вентилятора охлаждения.
21. Не кладите бумагу между посудой и поверхностью электроплиты, т.к. она может загореться.
22. Не ставьте электроплиту вблизи устройств подверженных воздействию электромагнитного поля (телевизор, радио, банковские карты).
23. Этот электроприбор не предназначен для использования лицами (включая детей) с ограниченными физическими, чувствительными или умственными способностями, а также лицами, не имеющими опыта и знаний, если они не находятся под наблюдением или не получили инструкции по использованию от лица, ответственного за их безопасность. Не рекомендуется использовать устройство детям в возрасте до 14 лет.
24. Прибор не предназначен для работы с помощью внешнего таймера или отдельной системы дистанционного управления.
25. Сохраните эту инструкцию. Срок службы - 2 года

ОПИСАНИЕ



ПАНЕЛЬ УПРАВЛЕНИЯ



ИНСТРУКЦИЯ ПО ИСПОЛЬЗОВАНИЮ


1. Для включения нажмите кнопку на дисплее отобразится **00**.
2. Настройка функции нагрева: нажмите кнопку FUNCTION, ЖК-дисплей отобразит по умолчанию значение **P8** соответствующее мощности нагрева 1800 Вт и загорится индикатор HEAT (переход в режим нагрева). Мощность нагрева можно



изменять, нажимая кнопки или в соответствии со следующими значениями:
P1 (400 Вт) - **P2** (600Вт) - **P3** (800Вт) - **P4** (1000 Вт) - **P5** (1200 Вт) - **P6** (1400Вт) - **P7** (1600Вт)-**P8** (1800Вт).- 3. Настройка функции подогрева: нажмите кнопку FUNCTION ещё раз, дисплей отобразит значение по умолчанию **H6** соответствующее значению температуры 240 °C. Также загорится индикатор WARM, (переход в режим подогрева). Температуру подогрева можно изменять, нажимая

кнопки или в соответствии со следующими значениями:
H1 (60 °C)-**H2** (100 °C)-**H3** (140 °C)-**H4** (180 °C)-**H5** (220 °C)-**H6** (240 °C).- 4. Установка таймера: в режиме нагрева или подогрева нажмите на кнопку TIME для того чтобы установить таймер выключения электроплиты. В это время дисплей отобразит значение **10** (время выключения по умолчанию 10 мин)

1. Для установки таймера нажмите кнопку или , максимальное время установки 99 мин.
2. Нажмите и удерживайте кнопки или для того чтобы ускорить установку времени таймера.
3. Для подтверждения установки таймера нажмите кнопку TIME, должен прозвучать звуковой сигнал.
5. Электроплита автоматически отключается, если в течении 2 часов ни одна кнопка не нажата.

УКАЗАНИЯ ПО ЭКСПЛУАТАЦИИ



1. Подсоедините шнур питания к соответствующей сетевой розетке. Прозвучит звуковой сигнал. Дисплей отобразит "--", указывая на то, что электроплита включена.
2. Поставьте посуду (кастрюлю, сковороду и т.д.) на центр рабочей поверхности.
3. Нажмите кнопку . Дисплей отобразит "00".
4. Нажмите кнопку FUNCTION один раз. Дисплей отобразит соответствующее значение, в то же время заработает вентилятор охлаждения. Если на плите нет посуды, дисплей отображает **EO** и каждые 3 с. слышен звуковой сигнал. В случае если Вы не поставите посуду на плиту в течении 60 сек, прибор автоматически перейдёт в режим ожидания.
5. Для перехода в режим подогрева нажмите кнопку FUNCTION ещё раз (значение температуры по умолчанию 240 °C). Дисплей отображает

значение **H6**, нажатием кнопок  и  можно изменять температуру подогрева. Как только температура достигнет заданного значения, программа автоматически включит защиту.

Примечание: вы можете отменить функцию, нажав кнопку FUNCTION в любой момент во время работы.

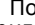
6. В режиме нагрева или подогрева Вы можете установить время отключения электроплиты (таймер) нажатием кнопки TIME.

1. При запущенном таймере дисплей поочередно отображает мощность и время, оставшееся до отключения.

2. Нажимая кнопки  или , Вы можете регулировать мощность и температуру.

Примечание: в режиме таймера прибор может быть отключён нажатием кнопки FUNCTION, в результате чего будет отменена функция отключения по таймеру. При следующем включении время отключения также не будет сохранено.

7. По истечении установленного времени прибор автоматически отключается и все индикаторы гаснут.

Примечание: процесс работы может быть прерван в любое время нажатием на кнопку . По окончании программы приготовления встроенный вентилятор будет продолжать работать в течении 60 сек.

8. По окончании использования отключите прибор от сети.

ПРИНЦИП РАБОТЫ

Принцип действия индукционной плиты - явление электромагнитной индукции, катушка индуктивности плиты попросту наводит электромагнитное поле плиты на поставленную посуду. Посуда с ферромагнитными свойствами, находящаяся на варочной поверхности, представляет собой проводник с замкнутым контуром. Под воздействием вихревого индукционного тока электроны дна посуды приходят в движение, что приводит к выделению тепловой энергии, т.е. к разогреву. Таким образом, нагревается не конфорка, а непосредственно сама посуда и находящаяся в ней пища.

Основные преимущества индукционной плиты

1. Высокая эффективность, сохранение энергии, охрана окружающей среды. Поскольку посуда сама по себе является нагревающей поверхностью, то эффективность чрезвычайно высока, также при использовании индукционной плиты нет видимого пламени, дыма и расхода газа.
2. Более широкий диапазон напряжения: прибор автоматически выбирает мощность в соответствии с напряжением, так что это позволяет избежать возможных неполадок в результате колебания напряжения.
3. Функция защиты: устройство имеет функцию защиты в случае превышения напряжения, низкого напряжения или внезапного скачка напряжения.
4. Точный контроль качества используемой посуды и защита от включения вхолостую. Прибор в состоянии проверить подходит ли материал используемой посуды, или определить соответствие размера. Если Вы убрали посуду с плиты, то она сама отключится через 10 сек.
5. Функция самодиагностики при включении и двухчасовой таймер отключения. Автоматически

определяет правильность использования плиты и отключает питание, если плитой не пользовались в течение последних двух часов.

6. Удобная и лёгкая в использовании многоуровневая регулировка мощности и температуры. В дополнение компенсация контроля температуры делает установку температуры более точной.

7. Многоуровневая функция выбора мощности удовлетворяет разнообразные требования в процессе приготовления.

ЗАЩИТНОЕ ОБОРУДОВАНИЕ

1. Защита от перенапряжения и низкого напряжения. Если напряжение слишком высокое или слишком низкое, плата автоматически компенсирует его и отрегулирует мощность.
2. Защита от нагревания мелких металлических частей. Во избежание нагрева металлических частей, чей диаметр не превышает 8 см, прибор автоматически отключает подачу напряжения.
3. Защита от работы вхолостую и от использования неподходящей посуды. В случае если на рабочей поверхности не стоит посуда, или поставленная посуда значительно отклонена от центра, или же материал используемой посуды не подходит для использования, напряжение не будет подаваться и будет слышен звуковой сигнал.
4. Защита от перегрева. В случае если температура рабочей поверхности превысит допустимое значение плата автоматически прекратит подачу напряжения и будет слышен звуковой сигнал, до тех пор, пока значение температуры не достигнет допустимого.
5. Защита от импульса высокого напряжения. Во время работы, когда блок питания получает импульс высокого напряжения (например, удар молнии), индукционная плита автоматически отключается и через минуту начинает работать вновь.

ВЫБОР ПОСУДЫ ДЛЯ ПРИГОТОВЛЕНИЯ ПИЩИ

1. Посуда, пригодная для использования: изготовленная из стали или чугуна, эмалированного железа, нержавеющей стали, с плоским дном, диаметром более 18.5см.
2. Непригодная для использования посуда: изготовленная из

термостойкого стекла, керамики, меди, алюминия, с круглым дном, диаметром менее 18.5см.

УХОД И ОБСЛУЖИВАНИЕ

1. Перед проведением обслуживания отключите прибор от сети.
2. В случае если керамическая поверхность загрязнена, протрите ее влажной тканью, допускается использование моющих средств. После чего вытрите насухо.
3. Протрите корпус устройства и панель управления мягкой влажной тканью. Для удаления жирных пятен используйте нейтральное моющее средство, а затем вытрите остатки мягкой и влажной тканью.
4. Не промывайте водой и не погружайте прибор в воду или другие жидкости.
5. Регулярно очищайте плиту от остатков пищи. Держите открытыми вентиляционные отверстия, для их очистки можно использовать зубную щётку и моющие средства.

СРАВНИТЕЛЬНАЯ ТАБЛИЦА ТЕПЛОВОЙ ЭФФЕКТИВНОСТИ (в расчёте на 1 л воды)

Тип плиты	Время	Потребление	КПД
Индукционная	6.7 мин	0.2 кВт/ч	93%
Газовая	8 мин	0.05 кг	50%
Электрическая	12 мин	0.345 кВт/ч	47%

УСТРАНЕНИЕ НЕИСПРАВНОСТЕЙ

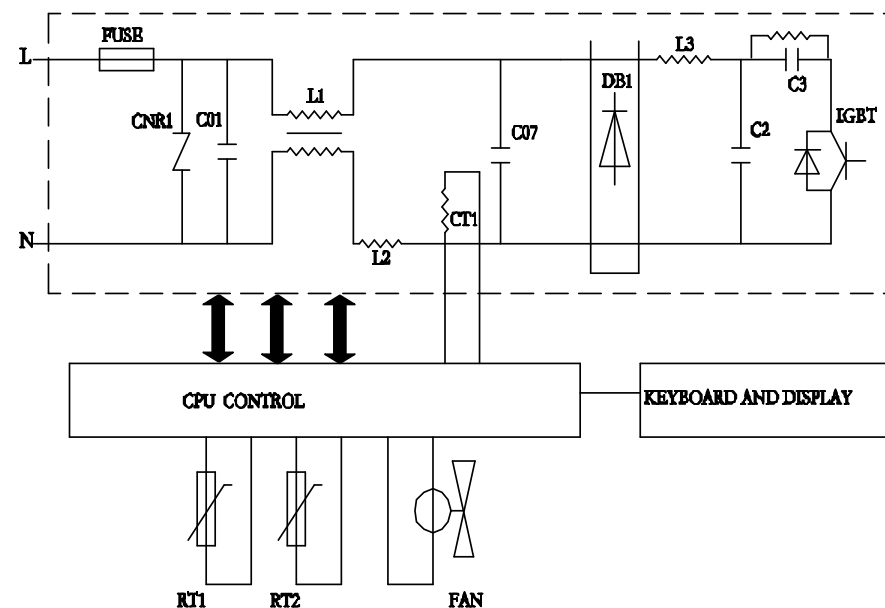
Если возникает проблема во время использования прибора, сделайте проверку в соответствии со следующей таблицей перед его сдачей на ремонт.

НЕИСПРАВНОСТЬ	ЧТО ПРОВЕРИТЬ
Шнур питания подключен к сети, но не слышен звуковой сигнал и не загорается индикатор сети	Подключение шнура питания к сети
	Состояние бытовых электрических предохранителей
	Наличие напряжения в сети
Слышен длительный звуковой сигнал, после чего прибор отключается	Использование соответственной посуды
	Правильность расположения посуды на рабочей поверхности
	Использование посуды соответствующего диаметра
Внезапно во время работы плита прекращает нагрев	Температура окружающего пространства должна быть подходящей
	Вентиляционные отверстия должны быть открыты
	Значит, что плита достигла указанной температуры, находясь в режиме TEMP
	Возможно срабатывание защитного оборудования, подождите 10 мин и подтвердите это.
Во время использования не контролируется температура	Проверьте дно используемой посуды, оно должно быть плоское
	Индикатор питания должен гореть

Индукционная плита прекращает нагрев, если происходят следующие сбои. Через 3 сек, на дисплее появляется сигнал неисправности, код неисправности будет отображаться в центре дисплея. Вы можете очистить дисплей, нажав на кнопку выключателя, и прибор войдет в режим ожидания.

Дисплей	Указание
E0	Проверьте на месте ли посуда
E1	Повреждена электрическая цепь
E2	Размыкание или короткое замыкание температурного датчика
E3	Напряжение выше (260V-275V) в течение 3 сек
E4	Напряжение ниже (165V-190V) в течение 3 сек
E5	Температура поверхности плиты выше допустимой
E6	Температура БТИЗ выше 95°C в течение 3 сек
E7	Размыкание или короткое замыкание датчика БТИЗ

ПРИНЦИПАЛЬНАЯ ЭЛЕКТРОСХЕМА



Технические характеристики

Мощность	1800 Вт
Номинальное напряжение	220-230 В
Номинальная частота	50 Гц
Номинальный ток	8.2 А

Комплектация

ИНДУКЦИОННАЯ ПЛИТА	1 шт.
ИНСТРУКЦИЯ ПО ЭКСПЛУАТАЦИИ С ГАРАНТИЙНЫМ ТАЛОНОМ	1 шт.
УПАКОВКА	1 шт.

ОХРАНА ОКРУЖАЮЩЕЙ СРЕДЫ. УТИЛИЗАЦИЯ



Вы можете помочь в охране окружающей среды!

Пожалуйста, соблюдайте местные нормы: передавайте неработающее электрическое оборудование в

соответствующий центр утилизации отходов.

Производитель оставляет за собой право вносить изменения в технические характеристики и дизайн изделий.

UA

ИНДУКЦІЙНА ЕЛЕКТРОПЛИТА

Шановний покупець! Вітаємо Вас із придбанням виробу торгівельної марки "Saturn". Ми впевнені, що наші вироби будуть вірними й надійними помічниками у Вашому домашньому господарстві.

Не піддавайте пристрій різким перепадам температур. Різка зміна температури (наприклад, внесення пристрою з морозу в тепле приміщення) може викликати конденсацію вологи всередині пристрою та порушити його працездатність при вмиканні. Пристрій повинен відстоятися в теплому приміщенні не менше ніж 1,5 години. Введення пристрою в експлуатацію після транспортування проводити не раніше, ніж через 1,5 години після внесення його в приміщення.

Уважно прочитайте цю інструкцію перед використанням і збережіть її.

ЗАПОБІЖНІ ЗАХОДИ

1. Уважно прочитайте інструкцію перед використанням.
2. Не розбирайте не ремонтуйте електроплиту самостійно.
3. Не підключайте шнур живлення мокрими руками. У випадку пошкодження шнура живлення не підключайте його до мережі.
4. Не згинайте і не зв'язуйте мережевий шнур, не прикладайте надмірних зусиль, оскільки це може призвести до його пошкодження. У разі якщо кабель живлення пошкоджено, зверніться до авторизованого сервісного центру. Щоб уникнути ураження електричним струмом, не замінійте шнур живлення самостійно.
5. Підключайте електроприлад до відповідної розетки (15A). Не використовуйте для підключення універсальні розетки, а також не використовуйте одночасно з іншим електроприладом.
6. Встановіть електроплиту на стійкій поверхні. Слідкуйте за тим, щоб відстань між корпусом плити і оточуючими предметами була не менше 10 см.
7. Не використовуйте електроприлад в приміщеннях з підвищеною вологістю або поблизу від джерела вогню.
8. Щоб уникнути пошкодження, не промивайте електроплиту водою. Для очищення користуйтеся вологою губкою або ганчіркою.
9. Тримайте електроприлад подалі від дітей.
10. Не вмикайте електроплиту вхолосту, і не використовуйте її занадто довго, тому що це може призвести до її пошкодження.
11. Металеві предмети, такі як ножі, виделки, ложки, кришки не повинні потрапляти на плиту, так як вони можуть нагрітися. Знімайте кришку перед нагріванням консервів, щоб уникнути ризику в результаті теплового розширення.
12. Не переносьте електроприлад під час роботи.
13. Не вставляйте пальці або інші предмети в отвори повітрозабірника або вентиляції.
14. У випадку пошкодження робочої поверхні негайно вимкніть живлення, відключіть прилад від мережі і зверніться до авторизованого сервісного центру для проведення відповідного ремонту.
15. Загальна максимальна маса встановленого на плиту посуду разом з їжею не повинна перевищувати 4 кг, інакше корпус плити може бути

пошкоджено.

16. Час безперервної роботи не повинен перевищувати 4 годин, в разі необхідності зробіть 30 хв перерву, після чого Ви знову зможете продовжити використання.
17. Не використовуйте прилад на килими або скатертині, так як це буде перешкоджати забору повітря для охолодження.
18. Не торкайтеся до верхньої поверхні плити відразу після приготування їжі, оскільки вона може бути гарячою.
19. Не використовуйте електроприлад поблизу газової або електричної плити, або в схожих умовах.
20. Відключайте шнур живлення, коли Ви не використовуєте плиту. Під час використання може бути чути високочастотний звук, який видають металеві частини електроплити, для його припинення досить трохи пересунути прилад. Також під час використання може бути чути звук працюючого вентилятора охолодження.
21. Не кладіть папір між посудом і поверхнею електроплити, оскільки він може загорітися.
22. Не ставте електроплиту поблизу від пристроїв, які піддаються впливу електромагнітного поля (телевізор, радіо, банківські картки, тощо).
23. Цей електроприлад не призначено для використання особами (включаючи дітей) з обмеженими фізичними, чутливими або розумовими здібностями, а також особами, які не мають досвіду і знань, якщо вони не перебувають під наглядом або не отримали інструкції з використання від особи, відповідальної за їх безпеку. Не рекомендовано для використання дітьми молодшими 14 р.
24. Пристрій не призначено для роботи за допомогою зовнішнього таймера або окремої системи дистанційного керування.
25. Збережіть цю інструкцію.

Термін і - 2 роки

ОПИС



ПАНЕЛЬ КЕРУВАННЯ



ІНСТРУКЦІЯ З ВИКОРИСТАННЯ

1. Для включення натисніть кнопку на дисплеї відобразиться **00**.
2. Налаштування функції нагріву: натисніть кнопку FUNCTION, дисплей відобразить за замовчуванням значення **P8** відповідне потужності нагріву 1800 Вт і загориться індикатор HEAT (перехід в режим нагріву). Потужність нагріву можна змінювати, натискаючи кнопки або у відповідності з наступними значеннями:
P1 (400 Вт) - **P2** (600Вт) - **P3** (800Вт) - **P4** (1000 Вт) - **P5** (1200 Вт) - **P6** (1400Вт) - **P7** (1600Вт) - **P8** (1800Вт).
3. Налаштування функції підігріву: натисніть кнопку FUNCTION ще раз, дисплей відобразить значення за замовчуванням H6 відповідне значенню температури 240 °C. Також загориться індикатор WARM, (перехід в режим підігрівання). Температуру підігрівання можна змінювати, натискаючи кнопки або у відповідності з наступними значеннями:
H1 (60 °C) - **H2** (100 °C) - **H3** (140 °C) - **H4** (180 °C) - **H5** (220 °C) - **H6** (240 °C).
4. Установка таймера:
в режимі нагріву або підігрівання натисніть на кнопку TIME для того щоб встановити таймер виключення електроплити. У цей час дисплей відобразить значення 10 (час виключення за замовчуванням 10 хв)
 1. Для установки таймера натисніть кнопку або , максимальний час установки 99 хв.
 2. Натисніть і утримуйте кнопки

- або для прискорення встановлення часу виключення електроплити.
3. Для підтвердження установки таймера натисніть кнопку TIME, повинен пролунати звуковий сигнал.

5. Електроплиту буде автоматично відключено, якщо впродовж 2 годин не було натиснуто жодної кнопки.

ЕКСПЛУАТАЦІЯ

1. Під'єднайте шнур живлення до відповідної розетки. Пролунає звуковий сигнал. Дисплей відобразить "--", вказуючи на те, що електроплиту включено.
2. Поставте посуд (каструлю, сковороду і т.д.) на центр робочої поверхні.
3. Натисніть кнопку Дисплей відобразить "00".
4. Натисніть кнопку FUNCTION один раз. Дисплей відобразить відповідне значення, в той же час запрацює вентилятор охолодження. Якщо на плиті немає посуду, дисплей відображає **EO** і кожні 3 с. чути звуковий сигнал. У разі якщо Ви не поставите посуд на плиту впродовж 60 сек, прилад автоматично перейде в режим очікування.
5. Для переходу в режим підігрівання натисніть кнопку FUNCTION ще раз (значення температури за замовчуванням 240 °C). Дисплей відображає значення **H6**, натисканням

кнопок і можна змінювати температуру підігрівання. Як тільки температура досягне заданого значення, програма автоматично включить захист.

Примітка: ви можете скасувати функцію, натиснувши кнопку FUNCTION в будь-який момент під час роботи.

6. В режимі нагріву або підігрівання Ви можете встановити час відключення електроплити (таймер) натисканням кнопки TIME.


1. При працюючому таймері дисплей черзі відображає потужність і час, що залишився до відключення.

2. Натискаючи кнопки або , Ви можете регулювати потужність і температуру.

Примітка: в режимі таймера прилад може бути відключено натисканням

кнопки FUNCTION, в результаті чого буде скасовано функцію відключення за таймером. При наступному включенні час відключення також не буде збережено.

7. Після закінчення встановленого часу прилад буде автоматично відключено і всі індикатори буде погашено.

Примітка: процес роботи може бути перервано у будь-який час натисканням на кнопку . По закінченню програми приготування вбудований вентилятор буде продовжувати працювати впродовж 60 сек.

8. Після закінчення використання відключіть прилад від мережі.

ПРИНЦИП РОБОТИ

Принцип дії індукційної плити - явище електромагнітної індукції, котушка індуктивності плити просто наводить електромагнітне поле плити на поставлений посуд. Посуд з феромагнітними властивостями, що знаходиться на робочій поверхні, є провідником із замкнутим контуром. Під впливом вихрового індукційного струму електрони дна посуду приходять в рух, що призводить до виділення теплової енергії, тобто до розігріву. Таким чином, нагрівається не конфорка, а безпосередньо сам посуд і їжа, яка в ньому знаходиться.

Основні переваги індукційної плити

1. Висока ефективність, збереження енергії, охорона навколишнього середовища. Оскільки посуд сам по собі є нагріваючою поверхнею, то ефективність надзвичайно висока, також при використанні індукційної плити немає видимого полум'я, диму та витрат газу.
2. Більш широкий діапазон напруги: прилад автоматично вибирає потужність відповідно до напруги, і це дозволяє уникнути можливих неполадок в результаті коливання напруги.
3. Функція захисту: пристрій має функцію захисту у разі перевищення напруги, низької напруги або раптового стрибка напруги.
4. Точний контроль якості посуду, що використовується і захист від включення вхолосту. Прилад в змозі перевірити чи підходить

матеріал посуду, що використовується, або визначити відповідність розміру. Якщо Ви прибрали посуд з плити, то він автоматично відключиться через 10 сек.

5. Функція самодіагностики при включенні і двохгодинний таймер відключення. Автоматично визначає правильність використання плити та відключає живлення, якщо плитою не користувалися упродовж останніх двох годин.
6. Зручне і легке у використанні багаторівневе регулювання потужності і температури. На додаток компенсація контролю температури робить установку температури більш точною.
7. Багаторівнева функція вибору потужності задовольняє різноманітні вимоги в процесі приготування.

ЗАХИСНЕ ОБЛАДНАННЯ

1. Захист від перенапруги та низької напруги. Якщо напруга занадто висока або занадто низька, плита автоматично компенсує її і відрегулює потужність.
2. Захист від нагрівання дрібних металевих частин. Щоб уникнути нагріву металевих частин, діаметр яких не перевищує 8 см, прилад автоматично відключає подачу напруги.
3. Захист від роботи вхолосту і від використання невідповідного посуду. В разі якщо на робочій поверхні не стоїть посуд, або поставлений посуд значно відхилено від центру, або ж матеріал посуду, що використовується не підходить для використання, напруга не подаватиметься і буде чути звуковий сигнал.
4. Захист від перегріву. У випадку якщо температура робочої поверхні перевищить допустиме значення плита автоматично припинить подачу напруги і буде чути звуковий сигнал до тих пір, поки значення температури не досягне допустимого.
5. Захист від імпульсу високої напруги. Під час роботи, коли блок живлення отримує імпульс високої напруги (наприклад, удар блискавки), індукційна плита автоматично відключається і через хвилину почне працювати знову.

ВИБІР ПОСУДУ ДЛЯ ПРИГОТУВАННЯ ЇЖИ

1. Посуд, придатний для використання: виготовлена з сталі або чавуну, емальованого заліза, неіржавіючої сталі, з плоским дном, діаметром більше 18.5cm.
2. Не придатний для використання посуд: виготовлений з термостійкого скла, кераміки, міді, алюмінію, з круглим дном, діаметром менше 18.5cm.

ДОГЛЯД І ОБСЛУГОВУВАННЯ

1. Перед проведенням обслуговування відключіть прилад від мережі.
2. В разі якщо керамічну поверхню забруднено, протріть її вологою тканиною, допускається використання миючих засобів. Після чого витріть її насухо.
3. Протріть корпус пристрою і панель керування м'якою вологою тканиною. Для видалення жирних плям використовуйте нейтральний миючий засіб, а потім витріть залишки м'якою і вологою

УСУНЕННЯ НЕСПРАВНОСТЕЙ

Якщо виникає проблема під час використання приладу, зробіть перевірку у відповідності з наступною таблицею перед здачею його на ремонт.

НЕСПРАВНІСТЬ	ЩО ПЕРЕВІРИТИ
Шнур живлення підключено до мережі, але не чути звукового сигналу і не загоряється індикатор мережі	Підключення шнура живлення до мережі
	Стан побутових електричних запобіжників
	Наявність напруги в мережі
Линає тривалий звуковий сигнал, після чого прилад відключається	Посуд, що використовується повинен бути відповідним
	Правильність розташування посуду на робочій поверхні
	Діаметр посуду повинен бути відповідним
Раптово під час роботи плита припиняє нагрів	Відповідність температури оточуючого середовища
	Вентиляційні отвори повинні бути вільні
	Значить, що плита досягла заданої температури перебуваючи в режимі TEMP
	Можливе спрацювання захисного обладнання, зачекайте 10 хв і підвердіть це

4. тканиною.
4. Не промивайте водою і не занурюйте прилад у воду або інші рідини.
5. Регулярно очищайте плиту від залишків їжі. Тримайте відкритими вентиляційні отвори, для їх очищення можна використовувати зубну щітку і миючі засоби.

ПЕРИВІЯЛЬНА ТАБЛИЦЯ ТЕПЛОЇ ЕФЕКТИВНОСТІ (в розрахунку на 1 л води)

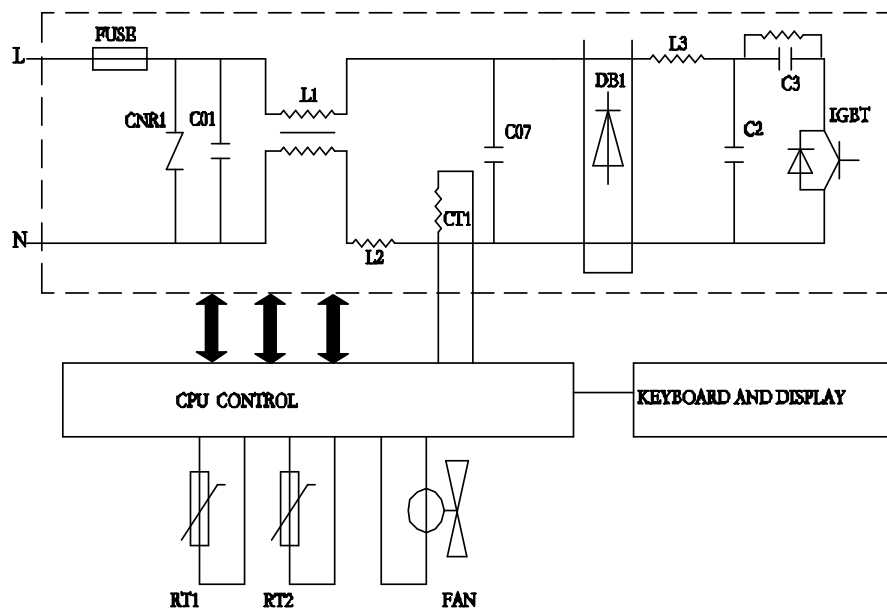
Тип плити	Час	Споживання	Тепло-Ефективність
Індукційна	6.7 хв	0.2 кВт/год	93%
Газова	8 хв	0.05 кг	50%
Електрична	12 хв	0.345 кВт/год	47%

Під час використання не контролюється температура	Дно посуду, який використовується, повинно бути плоским
	ндикатор живлення

Індукційна плита припиняє нагрів, якщо відбуваються такі збої. Через 3 сек, на дисплеї з'являється сигнал несправності, код несправності буде відображатися в центрі дисплея. Ви можете очистити дисплей, натиснувши на кнопку вимикача живлення, і прилад увійде в режим очікування.

Дисплей	Вказівка
E0	Перевірте наявність посуду
E1	Пошкоджено електричний ланцюг
E2	Розмикання або коротке замикання температурного датчика
E3	Напруга вище (260V-275V) впродовж 3 сек
E4	Напруга нижча (165V-190V) впродовж 3 сек
E5	Температура поверхні плити вище допустимої
E6	Температура БТІЗ вища 95°C впродовж 3 сек
E7	Розмикання або коротке замикання датчика БТІЗ

ПРИНЦИПОВА ЕЛЕКТРОСХЕМА



Технічні характеристики

Потужність 1800 Вт
 Номінальна напруга 220-230 В
 Номінальна частота 50 Гц
 Номінальний струм 8.2 А

Комплектація

ІНДУКЦІЙНА ПЛИТА 1 шт.
 ІНСТРУКЦІЯ З ЕКСПЛУАТАЦІЇ 1 шт.
 З ГАРАНТІЙНИМ ТАЛОНОМ 1 шт.
 УПАКОВКА 1 шт.

Охорона навколишнього середовища. Утилізація



Ви можете допомогти в охороні навколишнього середовища!

Будьте ласка, виконуйте місцеві правила: передавайте непрацююче електричне обладнання у

відповідний центр утилізації відходів.
Виробник залишає за собою право вносити зміни в технічні характеристики і дизайн виробів.

Saturn®

**МЕЖДУНАРОДНЫЕ ГАРАНТИЙНЫЕ
ОБЯЗАТЕЛЬСТВА**

**INTERNATIONAL MANUFACTURER'S
WARRANTY**

**МІЖНАРОДНІ ГАРАНТІЙНІ
ЗОБОВ'ЯЗАННЯ**

MEZINÁRODNÍ ZÁRUKA

GB

INTERNATIONAL MANUFACTURER'S WARRANTY

The Warranty is provided for the period of 2 years or more if the Law on User Right of the country where the appliance was bought provides for a greater minimum warranty period.

All terms of warranty comply with to the Law on Protection of the Consumer Rights and are governed by the legislation of the country where the product was bought. The warranty and free of charge repair are provided in any country where the product is delivered to by Saturn Home Appliances or authorized representative thereof, and where no restriction of import or other legal provisions interfere with rendering of warranty services and free of charge repair.

Cases uncovered by the warranty and free of charge repair:

1. Guarantee coupon is filled in improperly.
2. The product has become inoperable because of the Buyer's nonobservance of the service regulations indicated in the instruction.
3. The product was used for professional, commercial or industrial purposes (except for the models, specially intended for this purpose that is indicated in the instruction).
4. The product has external mechanical damage or damage caused by penetration of the liquid inside, dust, insects and other foreign objects.
5. The product has damages caused by non-observance of the rules of power supply from batteries, mains or accumulators.
6. The product was exposed to opening, repair or modification of design by the persons, unauthorized to repair; independent cleaning of internal mechanisms etc. was made.
7. The product has natural wear of parts with limited service life, expendables etc.
8. The product has deposits of scale inside or outside of fire-bar elements, irrespective of used water quality.
9. The product has damages caused by effect of high (low) temperatures or fire on non-heat resistant parts of the product.
10. The product has damages of accessories and nozzles which are included into the complete set of product shipment (filters, grids, bags, flasks, cups, covers, knives, sealing rings, graters, disks, plates, tubes, hoses, brushes, and also power cords, headphone cords etc.).

On the warranty service and repair, please contact the authorized service centers of Saturn Home Appliances.

MEZINÁRODNÍ ZÁRUKA

Záruka se poskytuje na dobu 2 roky. V případě že Zákon na ochranu spotřebitele dané země nařizuje delší dobu, prodlužuje se záruka na tuto dobu.

Veškeré záruční podmínky odpovídají Zákonu o ochraně práv uživatelů a jsou řízené zákonodárstvím státu, kde byl výrobek koupen. Záruka a bezplatná oprava se poskytují v každém státě, kam jsou výrobky dodané společností „Saturn Home Appliances“ nebo jejím zplnomocněným zástupcem a kde nejsou žádná omezení na dovoz nebo jiné právní předpisy omezující poskytnutí záručního servisu a bezplatné opravy.

Případy, na které se záruka a bezplatná oprava nevztahují

1. Záruční list je vyplněn nesprávně.
2. Výrobek byl poškozen kvůli tomu, že zákazník nesplnil pravidla použití, která jsou uvedena v návodu.
3. Výrobek byl používán k profesionálním, komerčním nebo průmyslovým cílům (kromě modelů speciálně určených pro tyto cíle, což je uvedeno v návodu).
4. Výrobek má vnější mechanická poškození nebo poškození, vyvolaná tím, že se dovnitř dostala tekutina, prach, hmyz a jiné cizí předměty.
5. Výrobek má poškození, která jsou vyvolaná nesplněním pravidel napájení od baterií, sítě nebo akumulátorů.
6. Výrobek rozebírali, opravovali nebo měnili jeho konstrukci lidé, kteří nebyli zplnomocněni k opravě, bylo provedeno samostatné čištění vnitřních mechanismů a pod.
7. Výrobek má přirozené opotřebování dílů s omezenou dobou použití, spotřebních materiálů atd.
8. Výrobek má vrstvu usazeniny uvnitř nebo zvenku termoelektrických ohřivačů, bez ohledu na kvalitu používané vody.
9. Výrobek má poškození, která jsou vyvolaná působením vysokých (nízkých) teplot nebo ohně na termonestabilní části výrobku.
10. Výrobek má poškození příslušenství a nástavce, které jsou dodané spolu s výrobkem (filtry, síťky, sáčky, baňky, mísy, víka, nože, šlehače, struhadla, kotouče, talíře, trubky, hadice, kartáče a také síťové šňůry, sluchátkové šňůry atd.).

V otázkách záručního servisu a oprav se obraťte na autorizovaná servisní střediska společnosti „Saturn Home Appliances“.

МЕЖДУНАРОДНЫЕ ГАРАНТИЙНЫЕ ОБЯЗАТЕЛЬСТВА

Гарантия на изделие предоставляется на срок 2 года или более в случае, если Законом о защите прав потребителей страны, в которой было приобретено изделие, предусмотрен больший минимальный срок гарантии.

Все условия гарантии соответствуют Закону о защите прав потребителей и регулируются законодательством страны, в которой приобретено изделие. Гарантия и бесплатный ремонт предоставляются в любой стране, в которую изделие поставляется компанией «Saturn Home Appliances» или ее уполномоченным представителем, и где никакие ограничения по импорту или другие правовые положения не препятствуют предоставлению гарантийного обслуживания и бесплатного ремонта.

Случаи, на которые гарантия и бесплатный ремонт не распространяются:

1. Гарантийный талон заполнен неправильно.
2. Изделие вышло из строя из-за несоблюдения Покупателем правил эксплуатации, указанных в инструкции.
3. Изделие использовалось в профессиональных, коммерческих или промышленных целях (кроме специально предназначенных для того моделей, о чем указано в инструкции).
4. Изделие имеет внешние механические повреждения или повреждения, вызванные попаданием внутрь жидкости, пыли, насекомых и др. посторонних предметов.
5. Изделие имеет повреждения, вызванные несоблюдением правил питания от батарей, сети или аккумуляторов.
6. Изделие подвергалось вскрытию, ремонту или изменению конструкции лицами, не уполномоченными на ремонт; производилась самостоятельная чистка внутренних механизмов и т.д.
7. Изделие имеет естественный износ частей с ограниченным сроком службы, расходных материалов и т.д.
8. Изделие имеет отложение накипи внутри или снаружи ТЭНов, независимо от качества используемой воды.
9. Изделие имеет повреждения, вызванные воздействием высоких (низких) температур или огня на нетермостойкие части изделия.
10. Изделие имеет повреждения принадлежностей и насадок, входящих в комплект поставки изделия (фильтров, сеток, мешков, колб, чаш, крышек, ножей, венчиков, терок, дисков, тарелок, трубок, шлангов, щеток, а также сетевых шнуров, шнуров наушников и т.д.).

По вопросам гарантийного обслуживания и ремонта обращайтесь в специализированные сервисные центры фирмы «Saturn Home Appliances».

Город, адрес	Название АСЦ	Телефон	МБТ	Сплит-системы	LCD	СМА	Мороз. лари
г. Альметьевск, ул. К. Цеткин, д.18а	Сервисный Центр ИП Валиуллин М.Р.	т. 8(8553) 32-22-11, м.т. 8-960-047-22-11	V+	V+	V+	V+	V+
г. Анапа, ул. Астраханская, д. 98	СЦ "СПЕКТР-СЕРВИС"	т. 8(86133) 6-09-84, т.м. 8-918-215-57-75	V+	V+	V+	V+	V+
г. Апшеронск, Краснодарский край, ул. Ворошилова, 109	Абсолют-сервис	т. 8(86152)2-81-99	V+	V+	V+	V+	V+
г.Архангельск, ул. Котласская, д.1, корп. 1, офис12	"ВЕГА-29"	т. 8(8182) 44-15-55,	V+				
г. Астрахань, ул. Савушкина, д.47	ООО ПКЦ «ВДВ»	т.8(8512)25-19-39, т.8(8512) 25-12-00	V+	V+	V+		V+
г. Астрахань, ул. Маскаковой, д. 16, 2 этаж, комн.7	СЦ "Ремонтная Бригада"	т. 8(8512) 54-67-67, т. 8(8512) 54-91-91		V+			
г. Ахтубинск, м-н Мелиораторов, д.15	ООО "Ковчег"	т. 8(85141) 3-61-25	V+	V+	V+	V+	V+
г. Ахтубинск, ул. Панфилова, д. 32	Сервисный Центр ИП Комаров Николай	м.т. 8-927-552-47-21, м.т. 8-937-122-13-99				V+	V+
г. Барнаул, ул. Пролетарская, д.113	ООО "Диод"	т.8(3852) 63-94-02	V+		V+	V+	V+
г. Батайск, пер. Книжный, д.9, кв.25	ИП Кулешов А.П.	м.т.8-905-425-60-4-73	V+	V+	V+		
г. Батайск, ул. Матросова, д. 37	Центральный Сервисный Центр	т. 8(8635) 47-47-72, т. 8(8635) 47-47-72	V+	V+	V+	V+	V+

г. Белореченск, ул. Мира, д.63	ООО "Дело техники"	т. 8(86155)3-11-00, м.т. 8-918-980-64-75	V+	V+	V+	V+	V+
г. Буденновск, ул. Октябрьская, д. 84	ИП Цивенов Д.С.	т. 8(86559) 2-08-02, т. 8(86559)5-29-71	V+	V+	V+	V+	V+
г. Волгоград, пр. Ленина, д. 58	"Сервис. ГИМ"	т. 8(8442) 23-41-36, т. 8(937) 717-93-34	V+		V+		
г. Волгоград, ул. Елецкая, д. 173	АСЦ "Классика"	т. 8(8442) 97-50-10, т. 8-960-883-59-00			V+		
г. Волгоград, ул. Томская, д. 4а	ИП Спицын С.В.	т. 8(8442) 98-16-47, т. 8(8442) 53-06-04	V+	V+	V+	V+	V+
Волгоградская обл., Калачевский р-н п. Береславка,	Сервисный Центр "ТехноБыт"	м.т. 8-961-688-53-48			V+		
Волгоградская обл., р.п. Быково, ул. Калинина, д. 9	Сервисный Центр ИП Рахимов Ренат	м.т. 8-927-521-52-00			V+	V+	V+
Волгоградская обл., п. Елань, ул. Л. Толстого, д. 32	Сервисный Центр ИП Егоров Юрий	м.т. 8-937-722-68-12				V+	V+
Волгоградская обл., р.п. Октябрьский, ул. Кругликова, д. 158	Сервисный Центр ИП Макеев Юрий	м.т. 8-937-730-66-03			V+	V+	V+
Волгоградская обл., г. Сувоикино	Сервисный Центр ИП Караичев Алексей	м.т. 8-904-404-14-55				V+	V+
г. Волгодонск, Ростовская обл., пр-т. Строителей, д. 12/15	СЦ "Master"	м.т. 8-928-126-63-66	V+			V+	

г. Волжский, ул. 77-й Гвардейской, д. 65А	"Сервис.ГИ М"	т. 8(937) 717-93-36	V+		V+		
г. Вологда, ул. Чернышевско го, д. 65	"Ремонт бытовой техники"	т. 8(8172) 70-03-45, т. 8(8172) 54-21-54	V+		V+	V+	V+
Вологодская обл., п. Рубцово, д. 1а	ООО "МИГ"	т. 8(8172) 52-72-51	V+		V+		
г. Воронеж, ул. Плехановская, д. 40	"Воронеж- Сервис"	т.8(4732) 71-31-84	V+		V+	V+	
г. Георгиевск, ул. Калинина, д. 140/1	ИП Пономаренк о Р.Р.	т. 8(87951) 6-47-93, м.т. 8-928- 654-28-01			V+		
г. Грозный, ул. Дадин Айбики, д. 48	"Арсгир"	8-962-655- 20-00	V+	V+	V+	V+	V+
г. Дзержинск, Нижегородская обл., ул. Чапаева, д. 68	мастерская "СЕРВИС ПЛЮС"	т. 8(8313) 21-14-14	V+		V+		
г. Дзержинск, пр. Циолковского, д. 54	СЦ "Кварц"	т. 8(8313) 20-93-00, т. 8(8313) 20-92-94			V+		
г. Ейск, ул. Пушкина, д. 84	АСЦ "Техносерв ис"	т. 8(86132) 2-11-71, т. 8(86132) 3-66-02	V+	V+	V+	V+	V+
г. Екатеринбург, ул. Сыромолотова, д. 21	ООО "АСервис"	т. 8(343)269- 81-10, т.8(343)219- 61-22	V+	V+	V+	V+	V+
г. Елец, Липецкая обл., ул. Октябрьская, д. 47	ООО фирма "ПОЛЮС"	т. 8(47467) 4-12-08, т. 8(47467) 4-33-17	V+		V+		
г. Иваново, ул. Дзержинского, д.45/6	ООО "Спектр- Сервис"	т. 8(4932) 335185, т. 8(4932) 335236	V+	V+	V+	V+	V+

г. Ижевск, ул. Азина, д. 4	ООО "АРГУС- Сервис"	8(3412) 30 79- 79, 8(3412)30- 83-07	V+		V+	V+	V+
г. Ижевск, ул. М. Горького, д. 76	ООО "АРГУС- Сервис"	т. 8(3412) 78-76-85, т. 8(3412) 78-06-64	V+		V+	V+	V+
г. Ижевск, ул. Буммашевская, д. 7/1, офис 301, 307	"Климат- Контроль"	т. 8(3412) 44-60-40, т. 8(3412) 44-60-67			V+		
г. Йошкар-Ола, ул. Воинов Интернационал истов, д 24 а	СЦ "Аквармарин "	т. 8(8362) 24-11-24, т. 8(8362) 25-55-40	V+	V+	V+	V+	
г. Иркутск, ул.Киренская, д. 20	СЦ "Мастер"	т. 8(39520) 65-04-95, т. 8(39520) 93-16-56	V+		V+	V+	
г. Казань, пр. Ямашева, д. 38	СЦ "Витязь"	т. 8(843) 248-71-17, т. 8(843) 258-85-65	V+		V+		
г. Калуга, ул. Суворова, д. 25, Грабцевское шоссе, д. 47	ООО "Бинэс Сервис"	т. 8 (4842) 54-82-22, т. 8 (4842) 54-83-33	V+	V+	V+	V+	V+
г. Кемерово, пр. Октябрьский, д. 53/2	ВК-Сервис	т. 8(3842) 35-39-67	V+			V+	
г. Киров, ул. Некрасова, д. 42	ООО "Экран- Сервис"	т. 8(8332) 56-25-95, т. 8(8332) 54-70-77	V+		V+	V+	
г. Константиновск, Ростовская обл., пер. Студенческий, 9	Макаров- ЮГ	8-988-548- 24-36	V+	V+	V+		
г. Кострома, ул. Коммунаров, д. 5	АСЦ " Кристалл Сервис Быт"	т. 8(4942) 300107, т. 8(4942) 300107	V+		V+	V+	V+
г. Кореновск, ул. Пурыхина, д. 2, корп."а"	ИП Бондаренко А.В.	т. 8(86142)4- 43-59	V+	V+	V+	V+	V+

г. Краснодар, ул. Новороссийская, 3	Абсолют- сервис	т. 8(861) 267-50-88	V+	V+	V+	V+	V+
г. Краснодар, ул. Академика Лукьяненко, д.103, оф.55	"М-Сервис- Юг"	т.8(861) 222-64-13, т.8(861) 222-85-55, м.т. 8-905- 408-08-38	V+	V+	V+	V+	V+
Краснодарский край, ст. Варениковская, ул. Виноградная, д. 42/2	ИП Лютерович В.М.	м.т. 8-918- 041-31-04, т. 8(86131) 71-2-72		V+			V+
Краснодарский край, ст. Каневская, ул. Свердликова, д. 116	ИП Галишников А.А.	т. 8(86164) 7-01-22		V+			
Краснодарский край, ст. Ленинградская, ул. Жлобы, д.57г	ООО "Уманьбытс ервис"	т. 8(86145) 3-78-74	V+	V+	V+	V+	V+
Краснодарский край, ст. Стародеревянко вская, ул. Комсомольская, д.25	ООО "ЭлитСерви с"	т. 8(86164) 65-4-95, м.т. 8-918- 355-81-70	V+	V+		V+	V+
Краснодарский край, ст. Староминская, ул. Толстого, д. 1	ИП Галишников А.А.	т. 8(86153) 4-16-70		V+			
г. Красноярск, ул. Дудинская, д. 1	СЦ "Электроал ьянс"	т. 8(3912) 93-54-33, т. 8(3912) 94-52-82	V+	V+	V+	V+	V+
г. Курск, ул. Студенческа, д. 36-а, ул. Сумская, д. 37-б	СЦ "Маяк+"	т. 8 (4712) 50-85-90, т. 8 (4712) 35-04-91	V+	V+	V+	V+	
г. Лабинск, Краснодарский край, ул. Турчанинова, д. 2	ООО "БЫТСЕРВ ИС"	т. 8 (86169) 7-39-99, т. 8(86169) 7-24-96	V+	V+	V+	V+	V+

г. Майкоп, ул. Гоголя, д. 29	СЦ "МастерСер вис"	т. 8 (8772) 52-36-90	V+	V+	V+	V+	
г. Майкоп, ул.Димитрова, д. 25	ООО "Электрон- Сервис"	т. 8 (8772) 55-62-38		V+			V+
г. Махачкала, пр. Шамиля, д. 20	Сервисный центр "РОСАМ"	т. 8(8722) 93-30-73	V+	V+	V+	V+	V+
г. Миллерово, Ростовская обл., ул. Калинина, д. 11	СЦ "Мастер Плюс"	т. 8(86385) 2-33-26 м.т 8-960- 458-07-11	V+	V+		V+	V+
г. Москва, Сигнальный пр-д, д. 16, стр. 9	ООО "РеалМасте р"	т. 8 (499) 340-29-89, т. 8 (499) 733-25-00		V+			
г. Москва, г. Зеленоград, корпус 1534	ООО "Протор- Сервис"	т. 8(499) 717-82-07, т. 8(499) 717-82-12	V+		V+	V+	V+
г. Москва, б-р Маршала Рокоссовского, д.3 (м.ул. Подбельского)	Технически й Центр "ЮНик"	т. 8(495) 721-30-70, т. 8(499) 168-05-19, т. 8(499) 168-47-15	V+		V+	V+	V+
г. Москва, Старый Толмачевский пер., д.17, стр.2.(м.Ново- кузнецкая)	Технически й Центр "ЮНик"	т. 8(495) 953-12-02, т. 8(495) 953-11-57, т. 8(495) 953-10-25	V+		V+	V+	V+
г. Москва, Волжский бульвар, д.50, кор.2 (м.Волжская)	Технически й Центр "ЮНик"	т. 8(495) 178-89-22, т. 8(499) 742-35-63	V+		V+	V+	V+
г. Москва, ул.Новоалексеев ская, д.14, кор.1 (м.Алексеевская)	Технически й Центр "ЮНик"	т. 8(495) 627-53-25	V+		V+	V+	V+
г. Королев, Московская обл., пр-д Циолковского, д.5	Технически й Центр "ЮНик"	т. 8(495) 516-24-60, т. 8(495) 516-24-61	V+		V+	V+	V+

г. Набережные Челны, ул. Вахитова, д.20 (30/05)	Сервисный Центр "ТриО"	т. 8(8552) 359002, т. 8(8522) 359042	V+	V+	V+		
г. Невинномыск, ул. Гагарина, д. 55	СЦ "ЭДВИС"	т. 8(86554) 5-59-77, т. 8(86554) 3-67-57	V+	V+	V+	V+	V+
г. Нижнекамск, ул. Кайманова, д. 9 (маг."Ак Калфак")	"Техника"	т. 8(8555) 48-08-80, т. м. 8-917-906-60-06	V+		V+	V+	V+
г. Нижний Новгород, ул. Заводской парк, д. 21	СЦ "Качественный сервис"	т. 8(831) 229-63-66, т. 8(831) 229-60-87	V+		V+	V+	
г. Нижний Новгород, ул. Ларина, д. 18А	ООО "Бытовая Автоматика-Сервис"	т. 8(831) 46-18-848		V+			V+
г. Нижний Новгород, ул. Коновалова, д. 6		т. 8(831) 46-18-848		V+			V+
г. Новокузнецк, Кемеровская обл., ул. Грдины, д. 18	ООО "Сибсервис"	т. 8 (3843) 20-31-33	V+		V+	V+	V+
г. Новороссийск, ул. Серова, д. 14	ООО "АРГОН-СЕРВИС"	т. 8(8617) 63-11-15, т. 8(8617) 63-03-95	V+	V+	V+	V+	V+
г. Новосибирск, ул. Вертковская, д. 42	ООО "Сибирский Сервис"	т. 8(383) 292-47-12, т. 8(383) 355-55-60, т. 8(383) 352-89-86	V+		V+	V+	V+
г. Новошахтинск, пл. Базарная, д. 24А	ЭлектроМир	т.8(86369) 3-74-75, т.м.8-928-609-35-85	V+	V+	V+		
г. Оренбург, ул. Космическая, д. 4	ИП Бабина Т.В.	т. 8 (3532) 36-87-94	V+			V+	V+
г. Орск, ул. Волкова, д. 2	"Айс-Сервис+"	т. 8(3537) 33-84-43, т. 8(3537) 35-13-18	V+	V+	V+	V+	V+

г. Пенза, ул. Кулакова, д. 2	ООО "Мир Сервиса"	т. 8(8412) 26-09-60, т. 8(8412) 26-12-29	V+			V+	V+	V+
г. Пермь, ул. Деревообделочная, д. 3, корп. Б	ООО СК-Сервис"	т. 8 (342) 221-40-99	V+	V+	V+	V+	V+	
Г.Петрозаводск, ул.Северная, д.11	"Алкор-Сервис"	Т. 8(8142) 78-06-93, т. 8(8142) 70-65-48	V+			V+		
г. Псков, ул. Труда, д. 11	ООО "Ремонт и Сервис"	т. 8 (8112)-53-86-30, т. 8 (8112)-53-86-50	V+			V+		
г. Пятигорск, Ставропольский край, ул. Ермолова, д. 12	Техно Сервис	т. 8(793) 31-84-16	V+	V+	V+	V+	V+	
г. Россошь, Воронежская обл., ул.Пролетарская, д.148	Региональная Сервисная Компания	т. 8(47396) 48-911	V+	V+	V+	V+	V+	
г. Ростов-на-Дону, ул. Турмалиновская, д. 79/3	ТД "Оптим Сервис"	т. 8 (863) 300-62-86	V+			V+	V+	
г. Ростов-на-Дону, ул. Евдокимова, д. 37 В	ООО "Максим-Сервис"	т. 8(863) 250-47-77	V+			V+		
г. Ростов-на-Дону, ул. 50-летия Ростсельмаша, д. 1/52, офис 55	ООО "Мастер"	т.8 (863) 21-92-112, т.м 8-800-100-51-52	V+	V+	V+	V+	V+	
Ростовская обл., ст. Багаевская, ул.Трюта, д. 11а/17а	ИП Иванов А.П.	м.т. 8-906-453-35-81	V+			V+		
г. Рыбинск, Ярославская обл., ул. Свободы д.12	Сервисная служба "ТЕХНОСЕРВИС"	т. 8(4855) 22-04-77, т. 8(4855) 25-38-60	V+	V+	V+	V+	V+	

г. Рыбинск , Ярославская обл., ул. Моторостроител ей д.21	Сервисная служба "ТЕХНОСЕ РВИС"	т. 8(4855) 24-31-21	V+	V+	V+	V+	V+
г. Рязань, ул. Пушкина, д. 14, корп. 1	ООО «Гарант- Климат»	т. 8(4912) 76-88-01, т. 8(4912) 40-30-30	V+	V+	V+	V+	V+
г. Рязань, ул. Касимовское шоссе, д. 42 "а"	ООО «Гарант- Климат»	т. 8(4912) 41-33-02,	V+	V+	V+	V+	V+
г. Самара, ул. Енисейская, д.52, оф. 8,9	Сервисный Центр	т. 8(846) 931-85-46	V+	V+	V+	V+	
г. Санкт- Петербург, пр. Обуховской обороны, д. 197	ООО "Евро- сервис XXI"	т. 8(812) 600-11-97	V+	V+	V+	V+	
г. Санкт- Петербург , проспект Стачек, д. 41, литер А	ООО "Прогресс- Сервис"	т. 8(812) 325-36-56, т. 8(812) 325-36-57	V+		V+	V+	
г. Санкт- Петербург , ул. Магнитогорская, д.11,36Н,лит.И	ООО "БИТ-95"	т. 8(812) 822-18-00, т. 8(812) 320-06-61	V+				
г. Саранск, ул. Садовая, д. 1	ООО "ТЕСТ- СЕРВИС"	т. 8(8342) 23-05-91, т. 8(8342) 47-48-59	V+	V+	V+		
г. Саратов, ул. 3-я Дачная, "ТЦ- Поволжье"	ООО "ТРАНССЕ РВИС- Саратов"	т. 8(8452) 35-11-80, т. 8(8452) 55-43-63	V+	V+	V+	V+	V+
г.Семикаракорск, ул.Ленина,д.167/1	ремонт С.Б.Т	т.м. 8-951- 522-38-11	V+	V+	V+	V+	V+
г. Сергиев Посад, пр-т. Красной Армии, д. 253А	СП "Городская Служба Бытового Сервиса"	т. 8(496) 547-04-95, т. 8(496) 549-32-79	V+	V+		V+	V+
г. Сочи, ул. Донская, д. 90	ООО "ДЭЛ"	т. 8 (8622)55-51- 19, т. 8 (8622) 55- 01-08	V+			V+	V+

г. Ставрополь, ул. 50 лет ВЛКСМ, д. 8/1	ООО "Быт Сервис"	т. 8(8652) 74-01-91	V+	V+	V+		
г. Ставрополь, ул. Пушкина, д. 63	ООО "Унисервис"	т. 8(8652) 24-30-14, т. 8(8652) 23-31-81	V+	V+	V+	V+	V+
г. Ставрополь, пр. Кулакова, д. 15 Е, оф. 21	"Мир Климата"	т.8(8652)95- 53-68, т. (8652)95- 61-90		V+			
г. Старый Оскол, Белгородская обл., м-н. Лебединец, д. 1а	ЗАО "АВАНТАЖ- ИНФОРМ"	т. 8 (4725) 24-62-27, т. 8 (4725) 24-73-49	V+	V+	V+		
г. Стерлитамак, Республика Башкортостан, ул. Худайбердина, д. 158	ООО "Сервис- Технос"	т. 8(3473) 20-12-13, т. 8(3473) 20-27-70	V+			V+	V+
г. Сыктывкар, Республика Коми, ул. Гаражная, д. 25	"Тех Сервис"	т. 8(8212) 22-95-29, т. 8(8212) 29-12-20	V+	V+	V+	V+	V+
г. Тамбов, ул. Мичуринская, д. 137а	ООО "БВС-2000"	т. 8(4752) 56-19-42, т. 8(4752) 56-19-44	V+	V+	V+	V+	V+
г. Тверь, ул. Московская, д.88/15	Сервис- Гарант	м.т. 8-910- 834-80-35, м.т. 8-952- 065-89-10	V+			V+	
г. Тимашевск, Краснодарский кр., ул. Ленина, д. 24/2	Сервис бытовой техники	т. 8(86130) 4-86-59, т.м. 8-918- 147-02-03	V+	V+		V+	V+
г. Тольятти, ул. Мира, д. 48	ООО "Волга Техника+"	т. 8(8482) 22-72-41, т. 8(8482) 22-71-85, т. 8(8482) 61-65-64	V+	V+	V+	V+	V+
г. Томск, пр. Кирова, д. 58	ООО "Экстрем-2"	т. 8(3822) 56-23-35, т. 8(3822) 48-08-80	V+			V+	

г. Тула, ул. Ф. Энгельса, д. 137	ООО "Сервис- Центр"	т. 8(4872) 31-12-57	V+	V+	V+	V+	V+
г. Улан-Удэ, ул. Ербанова, д. 28	СЦ "Мастер"	т. 8(3012) 21-89-63	V+		V+	V+	V+
г. Ульяновск, ул. Гагарина, д.18, офис 18, 2 этаж	СЦ "Пилот"	т. 8(8422) 31-00-00	V+	V+	V+	V+	V+
г. Усть-Джегута, КЧР, ул. Курортная, д 378 а	СЦ "КАВКАЗ- СЕРВИС"	т. 8(87875) 7-44-82	V+	V+	V+		
г. Уфа, ул. Пр. Октября, д. 148	"Пилигрим- сервис"	т. 8(3472) 77-12-62,	V+		V+		
г.Уфа, -ул.Менделеева, д. 153 - пр. Октября, д. 42 -ул. Мира, д. 7	СЦ "Дженерал»	т. 8(347) 279-90-70, т. 8(347) 241-62-02					V+
г. Цимлянск, Ростовская обл., ул. Социалистическ ая, д 15а	"Телерадио товары"	т. 8(86391) 2-18-06	V+		V+		
г. Чебоксары, ул.Гагарина, д. 36	ЗАО "Телерадио сервис"	т. 8(8352) 62-30-97, т. 8(4942) 63-20-98	V+		V+		
г. Череповец, ул.Моченкова, д. 18	"Ремонт бытовой техники"	т. 8(8202) 54-31-88	V+		V+	V+	V+
г. Черкесск, пр. Ленина, д. 340"В"	АСЦ "ЮГ- СЕРВИС"	т. 8(8782) 27-30-60, т. 8(8782) 27-70-77	V+	V+	V+	V+	V+
г. Шахты, Ростовская обл., ул. Садовая, д. 1	Техно Сервис	м.т. 8-904- 345-83-18	V+	V+	V+	V+	V+
г. Элиста, 3-й микрорайон, д. 21а	"СКВ Сервис"	т. 8 (84722) 9-52-07, м.т. 8-937-469- 52-07	V+	V+	V+	V+	V+

г. Энгельс, ул. Петровская, д. 57	"Ремонт- сервис"	т. 8(8453) 55-80-89, м.т. 8-964- 848-45-06	V+		V+	V+	V+
г. Ярославль, ул. Угличская, д. 12	ООО "Трио- Сервис"	т. 8 (4852) 25-94-83	V+		V+		

UA

МІЖНАРОДНІ ГАРАНТІЙНІ ЗОБОВ'ЯЗАННЯ

Гарантія на виріб надається на термін 2 роки чи більше у випадку, якщо Законом про захист прав споживачів країни, в якій був придбаний виріб, передбачений більший мінімальний термін гарантії.

Всі умови гарантії відповідають Закону про захист прав споживачів і регулюються законодавством країни, у якій придбано виріб.

Гарантія і безкоштовний ремонт надаються в будь-якій країні, у яку виріб постачається компанією «Saturn Home Appliances» чи її уповноваженим представником, і де ніякі обмеження по імпорту чи інші правові положення не перешкоджають наданню гарантійного обслуговування і безкоштовного ремонту.

Випадки, на які гарантія і безкоштовний ремонт не поширюються:

1. Гарантійний талон заповнений неправильно.
2. Виріб вийшов з ладу через недотримання Покупцем правил експлуатації, зазначених в інструкції.
3. Виріб використовувався в професійних, комерційних чи промислових цілях (крім спеціально призначених для цих моделей, про що зазначене в інструкції).
4. Виріб має зовнішні механічні чи ушкодження, викликані влученням всередину рідини, пилу, комах і інших сторонніх предметів.
5. Виріб має ушкодження, викликані недотриманням правил живлення від батарей, мережі чи акумуляторів.
6. Виріб піддавався розкриттю, ремонту чи зміні конструкції особами, не уповноваженими на ремонт; проводилося самостійне чищення внутрішніх механізмів тощо.
7. Виріб має природний знос частин з обмеженим терміном служби, видаткових матеріалів і т.д.
8. Виріб має відкладення накипу всередині чи зовні ТЕНів, незалежно від якості використовуваної води.
9. Виріб має ушкодження, чи ушкодження, які викликані впливом високих (низьких) температур чи вогню на нетермостійкі частини виробу.
10. Виріб має ушкодження належностей і насадок, що входять у комплект постачання виробу (фільтрів, сіток, мішків, колб, чаш, кришок, ножів, вінчиків, терок, дисків, тарілок, трубок, шлангів, щіток, а також мережних шнурів, шнурів навушників тощо).

З питань гарантійного обслуговування і ремонту звертайтеся до спеціалізованих сервісних центрів фірми «Saturn Home Appliances».

№ п. п	Адреса	Назва сервісного центру	Телефон	Категорія ремонтів		
				аудіо/відео	побутова техніка	кондиціонери
1	Алчевськ, вул. Гагаріна, 36	Hi-Fi (Кіслово)	(064) 424-89-50	+	+	+
2	Біла Церква, вул. Карбишева, 49	Еконіка-Сервіс	(04563) 633-19	-	+	-
3	Біла Церква, бул. 50-років Перемоги, 82	Маяк-Сервіс	(045) 63-68-413	+	+	+
4	Бердичів, вул. Леніна, 57	ЄВРОСЕРВІС	(041) 43-406-36	+	+	-
5	Берегове, Закарпатська обл. вул. І. Франка, 43	ПП "Пруніца"	(0314 1) 43-432	+	+	+
6	Васильків вул. Гагаріна, 3, оф. 8	АМАТІ-СЕРВІС	(044) 332-01-67	+	+	+
7	Вінниця, пр-т Космонавтів, 42	Гарант-Сервіс (Екран-Сервіс)	(0432) 46-50-01	+	+	-
8	Вінниця, вул. Келецька, 61а	ЛОТОС	(0432) 61-95-73	+	+	+
9	Вінниця, пр-т. Юності, 16	Скормаг-Сервіс (Вінниця)	(0432) 464393; (0432) 468213	+	+	+
10	Вінниця, пров. Щорса, 3а	Базелюк	(0432) 64-24-57, факс (0432) 64-26-22	+	+	+
11	Вінниця, вул. Порики, 1	Фахівець	(0432) 509-191, 579-191	+	+	+
12	Дніпропетровськ, вул. Ленінградська, 68, 1 корпус, к. 420	Москаленко Т.Н.	(0562) 337-574	+	+	+
13	Дніпропетровськ, вул. Набережна ім. Леніна, 17 оф.130	Дінек-Сервіс	(056) 778-63-25 (28)	+	+	+
14	Дніпропетровськ, вул. Кірова, 59	ЛОТОС	(0562) 35-04-09	+	+	+
15	Дніпропетровськ, вул. Набережна Перемоги, 118	ЛОТОС	(0562) 67-60-44	+	+	+

16	Дніпропетровськ, вул. Коротка, 41 А	СЦ Універсал	(056) 790-04-60	+	+	+
17	Дніпропетровськ, вул. Краснопільська, 9	Рамус	(068) 851-33-33	+	+	+
18	Донецьк, пр-т Полеглих комунарів, 188	Техносервіс (Яновская)	(062) 345-06-07	+	+	+
19	Донецьк, вул. Собінова, 129а	Сатурн-Донецьк	(062) 349-26-81	+	+	+
20	Донецьк, вул. Жмури, 1	СЦ Схід-Сервіс (Конуркин)	(062) 302-75-69	+	+	+
21	Житомир, вул. Львівська, 8	Тандем-сервіс СПД "Вашук"	(0412) 471-568	+	+	-
22	Житомир, вул. Домбровського, 24	СЦ Коваль (Євросервіс)	(0412) 47-07-42, 42-11-53	+	+	-
23	Запоріжжя, вул. Правди, 50	Ремпобут-сервіс	(061) 220-97-65 (64)	+	+	+
24	Запоріжжя, вул. Гоголя, 175	ЛОТОС	(061) 701-65-96	+	+	+
25	Запоріжжя, вул. Дзержинського, 83	Електро-техніка ЧП	(061)212-03-03	+	+	+
26	Івано-Франківськ, вул. Нова 19а	Бриз ЛТД	(0342)559-525, 750-777	+	+	+
27	Івано-Франківськ, вул. Вовчинецька, 223	ЛОТОС	(0342) 75-60-40	+	+	+
28	Іллічівськ, вул. Транспортна, 9	Сатурн-Одеса	(048) 734-71-90	+	+	+
29	Ірпінь, вул. Пролетарська, 76	Валерія	(04597) 551-62	+	+	-
30	Канів, вул. Леніна, 161, (Черкаська обл.)	Сатурн-Магніт	(04736) 629-49	+	+	+
31	Київ, вул. Новокостянтинівська, 16	Сатурн-ТВ	(044) 591-11-90	+	+	+
32	Київ, вул. Лугова, 1а	ЧП "Огеско"	(044) 4269198	+	+	-

33	Київ, вул. Бориспільська, 9 корп. 57	АМАТІ-СЕРВІС	(044) 369-5001 (063) 486-6999	+	+	+
34	Константинівка, вул. Безнощенко, 10	Гармаш (СЦ)	(06272) 2-62-23, (050) 279-68-16	+	+	+
35	Кіровоград, вул. Луначарського, 1в	ЧП "Денисенко"	(0522) 301-456	+	+	+
36	Кіровоград, вул. Короленко, 2	ЛОТОС	(0522) 35-79-23	+	+	+
37	Кіровоград, вул. Колгоспна, 98	Північ-Сервіс (Лужков)	(0522) 270-345, 349-585	+	+	+
38	Коломия, вул. Привокзальна, 13	Бриз ЛТД	(097) 264-21-67, 776-67-70	+	+	+
39	Конотоп, пр-т. Леніна, 11	ЧП "Олексій"	(05447) 61-356	+	+	+
40	Коростень, вул. Крупська 3, оф. 5	ЧП "Бондар"	(04142) 5-05-04	+	+	+
41	Краматорськ, вул. Бикова, 15-106	Ісламов Р.Р.	(06264) 5-93-89	+	+	+
42	Краматорськ, вул. Шкільна, 7	Технолюкс СЦ	(050) 526-06-68	+	+	+
43	Кременчук, вул. Радянська, 44, оф. 1	ЕкоСан (ФОП Юдін)	(05366) 39-192	+	+	-
44	Кременчук, вул. Переяслівська, 55А	СЦ Шамрай	(0536) 74-72-10, 74-71-81	+	+	+
45	Кривий Ріг, пр-т Гагаріна, 42	Євросервіс	(056) 401-33-56, 404-00-80, 474-61-03	+	+	+
46	Кривий Ріг, вул. Косіора, 64/7	ЛОТОС	(0564) 40-07-79	+	+	+
47	Кривий Ріг, вул. Революційна, 73	ТОВ "Ягуар" фокстрот	(056) 440-07-64	+	+	+
48	Лубни, вул. Радянська, 81	СЦ Яценко	(050) 214-91-73; (066) 017-02-03	+	+	+
49	Луганськ, вул. Дніпровська, 49а	Сатурн-Луганськ	(0642) 505-783	+	+	+
50	Луганськ, вул. Ломоносова, 96ж	Східний	(0642) 494-217, 33-11-86	+	+	+

51	Луцьк, вул. Федорова, 3	Остапович (БАС)	(0332) 78-05-91	+	+	+
52	Львів, вул. Підголосько, 15а	Крупс	(032) 244-53-44	+	+	+
53	Львів, вул. Стризька, 35	ЧП "Грушецький"	(032) 2973631	+	+	+
54	Львів, вул. Червоної Калини, 109	Потапенко СЦ Шанс	(032) 247-14-99	+	+	+
55	Львів, вул. Володимира Великого, 2	Потапенко СЦ Шанс	(032) 247-14-99	+	+	+
56	Львів, вул. Б. Хмельницького, 116	ТОВ "Рестор-Сервіс"	(032) 245-80-52	+	+	-
57	Львів, вул. Шараневича, 28	РО Сімпекс	(032) 239-51-52 (032) 239-55-77, 295-50-28, 295-50-29	+	+	+
58	Львів, вул. Курмановича, 9	ТОВ "Міленіум"	032-267-63-26	+	+	-
59	Могилів-Подільський, вул. Дністровська, 2	Скормаг-Сервіс (Могилів-Подільський)	04337-64847; 0432-468213	+	+	+
60	Мукачеве, вул. Кооперативна, 46	Віком	(03131) 37-337, 37-336	+	+	-
61	Маріуполь, бул. 50 років Жовтня, 32/18	ЛОТОС	(0629) 41-06-50	+	+	+
62	Маріуполь, пр-т. Металургів, 227	СЦ "Реал-Сервіс" (Озеров)	(0629) 473-000	+	+	+
63	Миколаїв, вул. Чкалова, 33,	ТСЦ "Аладін" (Муленко)	(0512) 580-555	+	+	+
64	Миколаїв, Внутріквартильний проїзд, 2	ЛОТОС	(0512) 58-06-47	+	+	+
65	Миколаїв, вул. Леніна, 177 А	Миколаїв (Фокстрот)	(0512) 55-29-04	+	+	+
66	Нікополь, вул. Гагаріна, 62 А	Ніка-Сервіс (Джепа) Імпорттехно-	(05662) 22-488, (097) 402-71-95	+	+	-

		сервіс				
67	Нікополь, вул. Шевченко, 97, оф. 2	ТОВ "Прем'єр- Сервіс" (Глотов)	(05662) 4-15-03	+	+	-
68	Новоград-Волинський, вул. Вокзальна, 38	СПД "Кожедуб"	(041)4152010	+	+	-
69	Одеса, вул. Новосільського 66 (пров. Топольського 2)	Ремус	048-7317704; 7317703;	+	+	+
70	Одеса, вул. Б. Хмельницького, 55	ПП"Кушнір"	(048) 715-10- 25, (0482) 39- 06-18	+	+	+
71	Павлоград, вул. Шевченко, 67	"Інтерсервіс" (Шульга)	8(05632) 6-15- 54, (05632) 6- 23-42	+	+	-
72	Полтава, вул. Алмазна 14	ЛОТОС	(0532) 69-42-62	+	+	+
73	Полтава вул. Зеньківська 21	АМАТІ- СЕРВІС	(0532) 69-09-46 (093)562-81-25	+	+	+
74	Полтава, вул. Пролетарська, 22	Пром- електроніка	(0532)57-21-64, 57-21-66	+	+	+
75	Прилуки, Київська, 371а	АМАТІ- СЕРВІС	(04637)53-982 (093)753-38-28	+	+	+
76	Прилуки, вул. Борців Революції, 101/1	ЧП Костюченко	(046) 3738595	+	+	+
77	Рівне, вул. Тиха, 12	Електроніка- Сервіс	(0362) 26-67- 53,26-65-85	+	+	-
78	Саки, вул. Кузнєцова, 14	Техновеліс СЦ	(065)632-21-83, (050) 904-57-17	+	+	+
79	Севастополь, вул. Пожарова, буд. 26Б	Діадема СЦ	(0692) 55-56- 43, 45-36-99	+	+	+
80	Сєвєродонецьк, вул. Федоренко 20а	СЦ "Електронні системи"	(0645) 702514, (06452) 4-43- 85, 4-51-83	+	+	+
81	Сімферополь, вул. Ковильна, 72	Телемір- сервіс	(0652)-69-07-78	+	+	+
82	Сімферополь, вул. Некрасова 17/1	ТОВ "НК-Центр"	(0652) 522-771	+	+	+
83	Сміла, вул. Мічуріна, 32	Ласк-Сервіс	(04733)-46-182	+	+	-

84	Стаханов, вул. Кірова, 15 (Луганська обл.)	Альбіт	(06444)40289	+	+	+
85	Стрий, вул. Шевченка 171Б/10	Телерадіо- сервіс	(245) 53-136	+	+	+
86	Нова Каховка, вул. Заводська 38	Стародубець А.В.	(055) 497-26-17	+	+	-
87	Суми, вул. Білопольське шосе, 19	Панченко	(0542) 705-296	+	+	-
88	Суми, вул. Кооперативна, 17	SLT- Service (Думанчук)	(0542) 78-10-13	+	+	+
89	Тернопіль, вул. Чалдаєва, 2	СПД "Самуляк"	(0352) 26-30- 13, 23-17-97	+	+	-
90	Умань, вул. Ленінградської Іскри 1/24	"Електрон- Сервіс" ФЛП Баландін І.Ю.	(047) 44-46- 614,(047) 44- 46-134	+	+	+
91	Ужгород, вул. Гагаріна, 101	Міленіум	(0312) 661-297	+	+	+
92	Харків, вул. Бакуліна, 12	Комтех	(057) 717-13- 39, 702-16-20	+	+	+
93	Харків, вул. Полтавський шлях, 3	Тевяшов (Каскад)	(057) 734-97- 24, 712-51-81	+	+	-
94	Харків, вул. Фонвізіна, 18	ЧП "Саванов"	(096) 595-37-46	+	+	+
95	Харків, вул. Вернадського, 2	Осьмачко А.Н.	(057) 758-10- 39; 758-10-40	+	+	+
96	Хуст, вул. Пирогова, 1а	РТА Хуст ПМ Ком'яті	(03142) 42-258	+	+	+
97	Херсон, вул. Лавринева 5	ТТЦ Електроніка	(0552) 29-60-42	+	+	+
98	Херсон, вул. Карбишева, 28а	ЛОТОС	(0552) 43-40-33	+	+	+
99	Херсон, вул. Леніна, 35	ЧП Команди	(0552) 420-235	-	-	+
100	Хмельницький, вул. Львівське шосе, 10/1	Орбіта- Ікстал	(0382) 723-241, 723-240	+	+	+
101	Черкаси, вул. Енгельса, 71	Радіоімпульс	(0472) 435-389	+	+	+

102	Черкаси, вул. Громова, 146, оф.102	СЦ "Техно-холод"	(0472) 563-478, 500-354, (096) 505-63-63	+	+	+
103	Чернігів, вул. 77-ої Гвардійської дивізії, 1	Вена	(0462) 601585	+	+	+
104	Чернігів, пр-т. Миру, 80	Лагрос	(0462) 724-872, 724-949	+	+	-
105	Чернівці, вул. Політаєва, бд	Калмиків (ПРУТ)	(0372) 90-81-89	+	+	+
106	Чернівці, вул. Лук'яна Кобилиці, 105 (вхід знадвору)	Блошко	(0372) 55-48-69,90-13-11	+	+	+
107	Чернівці, вул. Головна, 265	СЦ Гринчук (Фокстрот)	(0372) 58-43-01	+	+	+
108	Шостка, вул. Робоча, 5	Берізка	(05449) 40-707	+	+	-
109	Ялта, вул. Жадановського, 3	СЦ "АВІ-Електронікс"	(050) 373-73-71	+	+	+
110	Ялта, вул. Дзержинського, 5	Телемір-сервіс (маг.)	(050) 324-43-01	+	+	-

GB

WARRANTY COUPON

**When purchasing the product,
please require its checking before you;
BE SURE
that the goods sold to you, are functional and complete
and that the warranty coupon is filled in correctly.**

This warranty coupon confirms the absence of any defects in the product you purchased and provides for free of charge repair of the product failed through the fault of the manufacturer throughout the period of warranty service and free of charge repair.

Failing the presentation of this coupon, in case of its improper filling in, infringement of factory seals (if any), and also in cases indicated in the warranty obligations, the claims are not accepted, and no warranty service and free of charge repair is made!

The warranty coupon is valid only in the original copy with the stamp of trading organization, signature of the seller, date of sale and signature of the buyer.

CZ

ZÁRUČNÍ LIST

**Při koupi výrobku
žádejte o jeho vyzkoušení ve Vaší přítomnosti,
PŘESVĚDČTE SE,
že Vám prodaný výrobek je dobře fungující a kompletní
a že záruční list je vyplněn správně.**

Tento záruční list potvrzuje, že na Vámi koupeném výrobku nejsou žádné vady a zajišťuje bezplatnou opravu nefungujícího přístroje z viny výrobce, během celé záruční doby.

Bez předložení tohoto listu, při jeho nesprávném vyplnění, porušení plomb výrobce (jsou-li na výrobku) a také v případech, které jsou uvedené v záručním listě, nároky se nepřijímají a záruční oprava se neprovádí!

Záruční list je platný jenom jako originál s razítkem obchodní organizace, podpisem prodáváče, termínem prodeje a podpisem zákazníka.

RU

ГАРАНТИЙНЫЙ ТАЛОН

При покупке изделия
требуйте его проверки в Вашем присутствии,
УБЕДИТЕСЬ,
что проданный Вам товар исправен и полностью укомплектован,
гарантийный талон заполнен правильно.

Данный гарантийный талон подтверждает отсутствие каких-либо дефектов в купленном Вами изделии и обеспечивает бесплатный ремонт вышедшего из строя изделия по вине производителя в течение всего срока гарантийного обслуживания и бесплатного ремонта.

Без предъявления данного талона, при его неправильном заполнении, нарушении заводских пломб (если они имеются на изделии), а также в случаях, указанных в гарантийных обязательствах, претензии не принимаются, а гарантийный и бесплатный ремонт не производится!
Гарантийный талон действителен только в оригинале со штампом торгующей организации, подписью продавца, датой продажи, подписью покупателя.

UA

ГАРАНТІЙНИЙ ТАЛОН

При придбанні виробу
вимагайте його перевірки у Вашій присутності,
ПЕРЕКОНАЙТЕСЬ,
що проданий Вам товар справний і цілком укомплектований,
гарантійний талон заповнений правильно.

Даний гарантійний талон підтверджує відсутність будь-яких дефектів у купленому Вами виробі і забезпечує безкоштовний ремонт виробу, що вийшов з ладу, з вини виробника протягом всього терміну гарантійного обслуговування і безкоштовного ремонту.

Без пред'явлення даного талона, при його неправильному заповненні, порушенні заводських пломб (якщо вони є на виробі), а також у випадках, зазначених у гарантійних зобов'язаннях, претензії не приймаються, а гарантійний і безкоштовний ремонт не проводиться!
Гарантійний талон дійсний тільки в оригіналі зі штампом торгуючої організації, підписом продавця, датою продажу і підписом покупця.

Saturn®

WARRANTY COUPON

ZÁRUČNÍ LIST

ГАРАНТИЙНИЙ ТАЛОН

ГАРАНТІЙНИЙ ТАЛОН

SATURN HOME APPLIANCES S.R.O. KONĚVOVA 141/2660, 13083
PRAHA 3 – ŽIŽKOV, ČESKÁ REPUBLIKA,
TEL: + 4202/ 67 108 392

Model / Артикул

Production number/Výrobní číslo/Производственный номер
/Виробничий номер

Date of sell/Termín prodeje/Дата продажи/Дата продажу,

Shop stamp/Razítko obchodu/Штамп магазина/Штамп магазину

Seller's signature/Podpis prodavače/Подпись продавца/Підпис продавця

Buyer's Signature confirming the acquaintance and consent with conditions of free of charge maintenance service of the product, and absence of the complaints on appearance and color of the product.

Podpis zákazníka, potvrzující seznámení a souhlas s podmínkami bezplatného záručního servisu výrobku, a také neexistence nároků na vnější vzhled a barvu výrobku.

Подпись покупателя, подтверждающая ознакомление и согласие с условиями бесплатного сервисно-технического обслуживания изделия, а также отсутствие претензий к внешнему виду и цвету изделия.

Підпис покупця, що підтверджує ознайомлення і згоду з умовами безкоштовного сервісно-технічного обслуговування виробу, а також відсутність претензій до зовнішнього вигляду та кольору виробу.

Saturn®	Saturn®	Saturn®
Model / Артикул / Артикул.....	Model / Артикул / Артикул.....	Model / Артикул / Артикул.....
Production number / Производственный номер / Виробничий номер.....	Production number / Производственный номер / Виробничий номер.....	Production number / Производственный номер / Виробничий номер.....
Name of the Trade Company / Наименование / Назва торгової організації.....	Name of the Trade Company / Наименование / Назва торгової організації.....	Name of the Trade Company / Наименование / Назва торгової організації.....
Stamp of the Trade Company / Место печати торгової організації.....	Stamp of the Trade Company / Место печати торгової організації.....	Stamp of the Trade Company / Место печати торгової організації.....
Client Address/Phone # / адрес/телефон клиента адреса / телефон клієнта.....	Client Address/Phone # / адрес/телефон клиента адреса / телефон клієнта.....	Client Address/Phone # / адрес/телефон клиента адреса / телефон клієнта.....
Date of Receiving/дата приема/дата прийому.....	Date of Receiving/дата приема/дата прийому.....	Date of Receiving/дата приема/дата прийому.....
Defect / дефект / дефект.....	Defect / дефект / дефект.....	Defect / дефект / дефект.....
Signature, Stamp / Подпись, печать / Підпис, печатка.....	Signature, Stamp / Подпись, печать / Підпис, печатка.....	Signature, Stamp / Подпись, печать / Підпис, печатка.....
COUPON 1	COUPON 2	COUPON 3