

VEGAS

VCM-9070B

KABOBAPKA

COFFEE MAKER

ΚΟΦΕΒΑΡΚΑ

AUTOMAT DE CAFEA



COFFEE MACHINE

Dear Buyer!

We congratulate you on having bought the device under trade name "Vegas". We are sure that our devices will become essential and reliable assistance in your housekeeping.

Avoid extreme temperature changes. Rapid temperature change (e.g. when the unit is moved from freezing temperature to a warm room) may cause condensation inside the unit and a malfunction when it is switched on. In this case leave the unit at room temperature for at least 1.5 hours before switching it on. If the unit has been in transit, leave it indoors for at least 1.5 hours before starting operation.

Important

Do not immerse the power handle in water or any other liquid, and do not wash it under the tap water. Use a soft damp clothing to clean the power handle.

IMPORTANT SAFEGUARDS

Before using the electrical appliance, the following basic precautions should always be followed including the following:

1. Read all instructions.
2. Before using check that the voltage of wall outlet corresponds to rated voltage marked on the rating plate.
3. This appliance has been incorporated with a grounded plug. Please ensure the wall outlet in your house is well earthed.
4. To protect against fire, electric shock and injury to persons do not immerse cord, plug, in water or other liquid.
5. Remove plug from wall outlet before cleaning and when not in use. Allow appliance cool down completely before taking off, attaching components or before cleaning.
6. Do not operate any appliance with a damaged cord or plug or after the appliance malfunctions, or is dropped or damaged in any manner. Return appliance to the nearest authorized service facility for examination, repair or electrical or mechanical adjustment.

7. The use of accessory attachments not recommended by the appliance manufacturer may result in fire, electric shock or injury to persons.
8. Place appliance on flat surface or table, do not hang power cord over the edge of table or counter.
9. Ensure the power cord do not touch hot surface of appliance.
10. Do not place the coffee maker on hot surface or beside fire in order to avoid to being damaged.
11. To disconnect, remove plug from wall outlet. Always hold the plug. But never pull the cord.
12. Do not use appliance for other than intended use and place it in a dry environment.
13. Close supervision is necessary when your appliance is being used near children.
14. Be careful not to get burned by the steam.
15. Do not touch the hot surface of appliance (such as steam wand, and the steel mesh just boiling). Use handle or knobs.
16. Do not let the coffee maker operate without water.
17. Do not remove the metal funnel when appliance in brewing coffee or making steam.
18. Connect plug to wall outlet before using and turn any switch off before plug is removed from wall outlet.
19. This appliance is not intended for use by persons (including children) with reduced physical, sensory or mental capabilities, or lack of experience and knowledge, unless they have been given supervision or instruction concerning use of the appliances by a person responsible for their safety.
20. Children should be supervised to ensure that they do not play with the appliance. Children from 3 years old and under 8 years old should not connect, adjust and clean the device or perform maintenance.
21. This appliance is intended to be used in household and similar applications such as:

- staff kitchen areas in shops, offices and other working environments;
 - farm houses;
 - by clients in hotels, motels and other residential type environments;
 - bed and breakfast type environments.
22. Do not use outdoors.
23. Save these instructions.

• **Service life – 2 years.**
Before putting into operation shelf life is unlimited.

BEFORE THE FIRST USE

To ensure the first cup of coffee tastes excellent, you should rinse the coffee maker with warm water as follows:

1. Pour water into water tank, the water level should not exceed the "MAX" mark in the tank. Then replace the water tank cover.

Note: the appliance is supplied with a detachable tank for easy cleaning, you can fill the tank with water firstly, and then put the tank into the appliance.

2. Set steel mesh into metal funnel (no coffee in steel mesh).

3. Place an jug on removable shelf. Make sure the steam control knob is on the OFF position.

Note: the appliance is not equipped with jug, please use yourself jug or coffee cup.

4. Connect to power source, turn the ON/OFF switch to the "-" position. The lamp in itself will be illuminated .

5. Turn the pump control switch to the "-" position, the pump will pump water, when there is water flowing out and close the pump by pressing the pump control switch to "O", press the coffee/steam selector to the "O" position and wait for a moment, the appliance begins to be pre-heated until the inner lamp of pump control switch is illuminated, it shows the pre-heating is finished. Press the pump control switch to "-" position again, and water will flow out.

6. After water does not drop out any more, you can pour the water in each container out then clean them thoroughly, now you can start brewing.

Note: There may be noise when pumping the water for the first time, it is normal, the appliance is releasing the air inside. After about 20s, the noise will disappear.

PRE-HEATING

To make a cup of good hot Espresso coffee, we recommend you preheating the appliance before making coffee, including the funnel, filter and cup, so that the coffee flavour can not be influenced by the cold parts.

1. Remove the detachable tank and open

the tank cover to fill it with desired water, the water level should not exceed the "MAX" mark in the tank. Then place the tank into the appliance properly.

2. Select the two -cup mesh, Set steel mesh into metal funnel, make sure the tube on the funnel aligns with groove in the appliance, then insert the funnel into the appliance from the "Insert" position, and you can fix them into coffee maker firmly through turn it anticlockwise until it is at the "Lock" position.

3. Place an espresso cup on removable shelf.

4. Then connect the appliance to power supply. Make sure the steam control knob is on the OFF position.

5. Press the ON/OFF switch to "-" position, its lamp will be illuminated, make the coffee/steam selector on the "O" position. Press the pump control button on the "-" position, when there is water flowing out, close the pump immediately. The purpose of the step is to pump the water of the tank into the housing.

6. When the lamp in pump control switch is illuminated, you should press the pump control switch on the "-" position again, there will be hot water flowing out. When the lamp in it is extinguished, close the pump. The pre-heating is finished.

MAKE ESPRESSO

1. Remove the funnel by turning it in clockwise. Add ground coffee to steel mesh with measuring spoon, a spoon ground coffee power can make about a cup of top-grade coffee, then press the ground coffee powder tightly with the tamper.

2. Set steel mesh into metal funnel, make sure the tube on the funnel aligns with groove in the appliance, then insert the funnel into the appliance from the "Insert" position, and you can fix them into coffee maker firmly through turn it anticlockwise until it is at the "Lock" position..

3. Pour out the hot water in the cup. Then place the hot cup on removable shelf.

4. At the time, the lamp in pump control switch shall be illuminated, if it is extinguished, wait for a moment, once the lamp in it is illuminated, you should press the pump control switch on the "-" position, wait for a moment, there will be coffee flowing out.

Note: During operation, if the indicator is extinguished, you must close the pump and stop to make espresso coffee. After a few seconds, if the lamp is illuminated again, you can make espresso coffee continued by pressing pump control switch to "-" position, the lamp is cycle on and off to maintain the water temperature is hot enough.

5. You should press ON/OFF switch to "O" position manually when desired coffee is obtained or the colour of coffee changes weak obviously, all indicators go out and the coffee maker stops working, your coffee is ready now.

WARNING: Do not leave the coffee maker unattended during making the coffee, as you need operate manually sometimes!

6. After finishing making the coffee, you can take the metal funnel out through turn clockwise, then pour the coffee residue out with the steel mesh pressed by press bar.

7. Let them cool down completely, then rinse under running water.

MAKE CAPPUCCINO/FROTHED MILK

You get a cup of cappuccino when you top up a cup of espresso with frothED milk.

Method:

1. Prepare espresso first with container big enough according to the part "MAKE ESPRESSO COFFEE", make sure that the steam control knob is at the OFF position.

2. Press the coffee/steam selector to the "—" position, the lamp in the pump control switch will be illuminated, wait for until the indicator in the coffee/steam selector is illuminated.

Note: During operation, the indicator in the coffee/steam selector will cycle on and off to maintain to desired temperature.

3. Fill a jug with about 100 ml of milk for each cappuccino to be prepared, you are recommended to use whole milk at refrigerator temperature (not hot!).

Note: In choosing the size of jug, it is recommend the diameter is not less than 70±5mm, and bear in mind that the milk increases in volume by 2 times, make sure the height of jug is enough.

4. Turn the steam control knob slowly anti-clockwise, steam will come out from the frothing device.

Note: Never turn the steam control button rapidly, as the steam will accumulate rapidly in short time which may increase the potential of the risk of explosion.

5. Insert the frothing device into the milk about two centimetre, froth milk in the way moving vessel round from up to down.

7. When the required purpose is reached, you can turn the steam control knob to OFF position.

Note: Clean steam outlet with wet sponge immediately after steam stops generating, but care not to hurt!

7. Pour the frothed milk into the espresso prepared, now the cappuccino is ready. Sweeten to taste and if desired, sprinkle the froth with a little cocoa powder.

8. Press the ON/OFF switch to the "O" position to cut the power source off. All indicators will be extinguished.

Note: we recommend you allow the maker to cool down at least for 5 min before making coffee again. Otherwise burnt odor may occurred in your Espresso coffee.

MAKE STEAM

The steam wand can be used to make hot beverages like drinking chocolate, water or tea.

Method:

1. Open the top cover, remove the detachable tank and fill it with desired water, the water level should not exceed the "MAX" mark in the tank. Then place the tank into the appliance properly.

2. Replace the top cover, then connect the appliance to power supply.

3. Press the ON/OFF switch to the "—" position, it's lamp is illuminated.

4. Make sure the coffee/steam selector on the "O" position, turn the pump control switch to the "—" position, the pump will pump water, when there is water flowing out, close the pump immediately, press the coffee/steam selector to the "—" position and wait for a moment, the appliance begins to heat until the lamp in coffee/steam selector is illuminated, it shows the heating is finished.

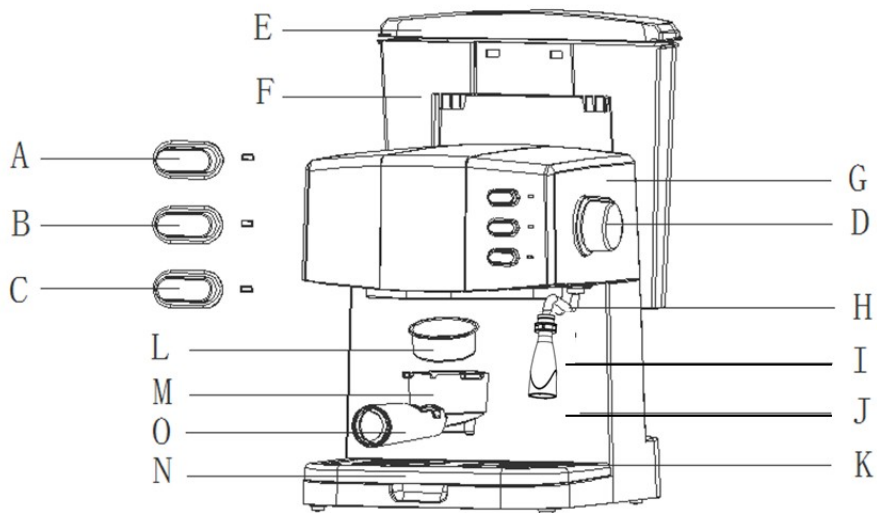
5. Remove the frothing device from the steam wand.

6. Dip the steam wand into the liquid to be heated. Turn the steam control knob anti-clockwise slowly to start making steam.

7. When the required temperature is reached, you can turn the steam control knob to OFF position.

8. Press the ON/OFF switch to the "O" position to cut off the power source.

KNOW YOUR COFFEE MAKER



- A. ON/OFF switch
- B. Coffee/Steam selector
- C. Pump control switch
- D. Steam control knob
- E. water tank cover
- F. Water tank
- G. top cover
- H. Steam wand water tank
- I. Froth device
- J. Main body
- K. Removable shelf
- L. Steel mesh
- M. Metal funnel
- N. Drip tray
- O. Metal funnel handle
- P. Measuring spoon and tamper

CLEANING AND MAINTENANCE:

Cut off power source and let the coffee maker cool down completely before cleaning.

Clean housing of coffee maker with moisture-proof sponge often and clean water tank, drip tray and removable shelf regularly then dry them.

Note: Do not clean with alcohol or solvent cleanser. Never immerse the housing in water for cleaning.

Detach the metal funnel by turning it clockwise, get rid of coffee residue inside, then you can clean it with cleanser, but at last you must rinse with clear water.

Clean all the attachments in the water and dry thoroughly.

CLEANING MINERAL DEPOSITS

1. To make sure your coffee maker operating efficiently, internal piping is clean and the peak flavor of coffee, you should clean away the mineral deposits left every 2-3 months.

2.Fill the tank with water and descaler to the MAX level (the scale of water and descaler is 4:1, the detail refers to the instruction of descaler. Please use "household descaler", you can use the citric acid (obtainable from chemist's or drug stores) instead of the descaler (the one hundred parts of water and three parts of citric acid).

3.According to the program of pre-heating, put the metal funnel (no coffee powder in it) and jug in place. Brewing water per " PRE-HEATING".

4. Press the ON/OFF switch to "—" position, its lamp will be illuminated, you should press the pump control switch, maker sure the coffee/steam selector to the "O" position, when there is water flowing out and close the pump, and wait for a moment, the coffee maker begins to be heated.

5. When the lamp in pump control switch is illuminated, it shows the heating is finished. Pressing the pump control switch to "—" position and make two cups coffee (about 2Oz). Then close the pump and wait for 5s.

6. Press the coffee/steam selector to the "—" position, the indicator in the pump control switch will be extinguished, waiting for until the indicator in the coffee/steam selector is illuminated. Make steam for 2min by turning the steam control knob, then turn the steam control knob to OFF position to stop making steam. Press the ON/OFF switch to the "O" position to stop the unit immediately, make the descalers deposit in the unit at least 15 minutes.

7. Restart the unit and repeat the steps of 4-6 at least 3 times.

8. Then press the coffee/steam selector to "O" position, the lamp in pump control switch will be illuminated, then press the pump control switch to "—" position to brew until no descaler is left.

9. Then brew coffee (no coffee powder) with tap water in the MAX level, repeat the steps of 4-6 for 3 times (it is unnecessary to wait for 15 minutes in step of 6), then brew until no water is left in the tank.

10. Repeat the step of 9 at least 3 times to make sure the piping is clean.

STORAGE CONDITIONS

The product is recommended to be stored under warehouse or home conditions and to be transported by any type of public closed transport in an available individual consumer packaging. The storage location (transporting) should not be exposed to moisture, direct sunlight and should exclude the possibility of mechanical damage. If the appliance is not used for a long time, it should be dust protected and stored in a clean, dry place.

TROUBLE SHOOTING

Symptom	Cause	Corrections
The metal parts in the tank have rust.	The descaler is not recommended type. It may corrode the metal parts in the tank.	Use the descaler recommended by manufacturer.
Water leaks from the bottom of coffee maker.	There is much water in the drip tray.	Please clean the drip tray.
	The coffee maker is malfunction.	Please contact with the authorized service facility for repairing.
Water leaks out of outer side of filter.	There is some coffee powder on filter edge.	Get rid of them.
Acid (vinegar) taste exists in Espresso coffee.	No clean correctly after cleaning mineral deposits.	Clean coffee maker per the content in "before the first use" for several times.
	The coffee powder is stored in a hot, wet place for a long time. The coffee powder turns bad.	Please use fresh coffee powder, or store unused coffee powder in a cool, dry place. After opening a package of coffee powder, reseal it tightly and store it in a refrigerator to maintain its freshness.
The coffee maker cannot work any more.	The power outlet is not plugged well.	Plug the power cord into a wall outlet correctly, if the appliance still does not work, please contact with the authorized service facility for repairing.
The steam cannot froth.	The steam ready indicator is not illuminated.	Only after the steam ready indicator is illuminated, the steam can be used to froth.
	The container is too big or the shape is not fit.	Use high and narrow cup.
	You have used skimmed milk	Use whole milk or half-skimmed milk

Do not take apart the appliance by yourself if the cause of failure is not found, you had better contact certified serving center.

Specifications

Power supply:	850 W
Rated voltage:	220-240 V
Rated frequency:	50 Hz
Rated current:	3,8 A
Net weight:	2,80 kg
Gross weight:	3,90 kg

Set

Coffee maker	1
Instruction manual	1
Warranty card	1
Packaging	1

ENVIRONMENT FRIENDLY DISPOSAL You can help protect the environment!



Please remember to respect the local regulations: hand in the non-working electrical equipments to an appropriate waste disposal center.

The manufacturer reserves the right to change the specification and design of goods

UA

КАВОВАРКА

Шановний покупець!

Вітаємо Вас із придбанням виробу торгівельної марки "Vegas". Ми впевнені, що наші вироби будуть вірними й надійними помічниками у Вашому домашньому господарстві.

Не піддавайте пристрій різким перепадам температур. Різка зміна температури (наприклад, внесення пристрою з морозу в тепле приміщення) може викликати конденсацію вологи всередині пристрою та порушити його працездатність при вмиканні. Пристрій повинен відстоятися в теплому приміщенні не менше ніж 1,5 години.

Введення пристрою в експлуатацію після транспортування проводити не раніше, ніж через 1,5 години після внесення його в приміщення.

Важливо

Не занурюйте блок мотора у воду чи будь-яку іншу рідину, а також не мийте його під краном. Використовуйте тільки м'яку вологу тканину для очищення блоку мотора.

Заходи безпеки

Перед користуванням електричним приладом завжди слід дотримуватись основних заходів безпеки:

1. Прочитайте всі інструкції.

- Перед використанням перевірте, чи напруга на розетці стінки відповідає номінальній напрузі, зазначеній на таблиці з таблицями.
- Цей прилад обладнаний заземленою вилкою. Переконайтесь, що розетка у вашому будинку добре заземлена.
- Для захисту від пожежі, ураження електричним струмом та травм людей не занурюйте шнур, вилку в воду або іншу рідину.
- Виймайте штепсельну вилку з розетки перед чищенням і коли не використовується. Дайте приладу повністю охолонути перед зніманням, приєднанням компонентів або перед чищенням.
- Не користуйтеся жодним приладом із пошкодженим шнуром або штепсельною вилкою або після несправності приладу, інакше його не випало чи пошкоджено. Поверніть прилад до найближчого уповноваженого сервісного центру для перевірки, ремонту або електричного чи механічного налаштування.
- Використання аксесуарів, що не рекомендуються виробником приладів, може призвести до пожежі, ураження електричним струмом або до травмування людей.
- Поставте прилад на рівну поверхню або стіл, не виймайте шнур живлення за край столу чи стільниці.
- Переконайтесь, що шнур живлення не торкається гарячої поверхні приладу.
- Не ставте кавоварку на гарячу поверхню або біля вогню, щоб уникнути її пошкодження.
- Для відключення вийміть вилку з розетки. Завжди тримайте вилку. Але ніколи не тягніть за шнур.
- Не використовуйте прилад інших, ніж призначений, і не ставте його в сухе середовище.
- Пильний нагляд необхідний, коли ваш прилад використовується поруч з дітьми.
- Будьте обережні, щоб пар не пригорів.
- Не торкайтесь гарячої поверхні приладу (наприклад, парової палички та сталеві сітки, що тільки кипить). Використовуйте ручку або ручки.
- Не дозволяйте кавоварку працювати без води.

17. Не знімайте металеву лійку при застосуванні для заварювання кави або приготування пари.

18. Перед використанням підключіть вилку до розетки та вимкніть будь-яке вимикач, перш ніж виймати штепсельну вилку з розетки.

19. Цей прилад не призначений для використання особами (включаючи дітей) зі знизженими фізичними, сенсорними або розумовими можливостями або відсутністю досвіду та знань, якщо їм не надано нагляд чи інструкцію щодо використання приладів особою, відповідальною за їх безпеку.

20. Дітей слід контролювати, щоб вони не грали з приладом. Діти у віці від 3 років і молодше 8 років не повинні підключати, регулювати і чистити прилад або виконувати обслуговування.

21. Цей прилад призначений для використання в побутових та подібних програмах, таких як:

- кухонні приміщення персоналу в магазинах, офісах та інших робочих середовищах;
- фермерські будинки;
- клієнтами в готелях, мотелях та інших середовищах житлового типу;
- середовищі типу ліжка та сніданок.

22. Не використовуйте на відкритому повітрі.

23. Збережіть ці вказівки.

- **Термін служби – 2 роки.**
- **До введення в експлуатацію термін зберігання необмежений.**

УМОВИ ЗБЕРІГАННЯ

Виріб рекомендується зберігати в складських або домашніх умовах і при необхідності транспортувати будь-яким видом громадського критого транспорту в наявній індивідуальній споживчій тарі. Місце зберігання (транспортування) повинне бути недоступним для потрапляння вологи, прямого сонячного світла і повинне виключати можливість механічних ушкоджень. Якщо прилад не використовується протягом тривалого часу, він повинен бути захищений від пилу і зберігатися в чистому, сухому місці.

Експлуатація Перед першим використанням

Щоб перша чашка кави мала чудовий смак, слід промити кавоварку теплою водою так:

1. Налийте воду в бак для води, рівень води не повинен перевищувати позначку "MAX" в баку. Потім замініть кришку резервуара для води. Примітка: прилад оснащений знімним бачком для легкого очищення, ви можете спочатку наповнити ємність водою, а потім поставити ємність у прилад.

2. Встановіть сталеву сітку в металеву воронку (без сталеві сітки немає кави).

3. Поставте глечик на знімну полицю. Переконайтесь, що регулятор пари є в положенні OFF.

Примітка: прилад не обладнаний глечиком, будь ласка, використовуйте собі глечик або кавову чашку.

4. Підключіть до джерела живлення, увімкніть перемикач ON / OFF у положення «-». Лампа сама по собі буде освітлена.

5. Поверніть перемикач керування насосом у положення «-», насос буде перекачувати воду, коли стікає вода, і закрийте насос, натиснувши перемикач керування насосом на «O», натисніть перемикач кави / пари на «O» та зачекайте мить, прилад починає попередньо нагріватися до тих пір, поки не загориться внутрішня лампа вимикача управління насосом, на якій видно, що попереднє нагрівання закінчено. Знову натисніть перемикач керування насосом у положення «-», і вода витече.

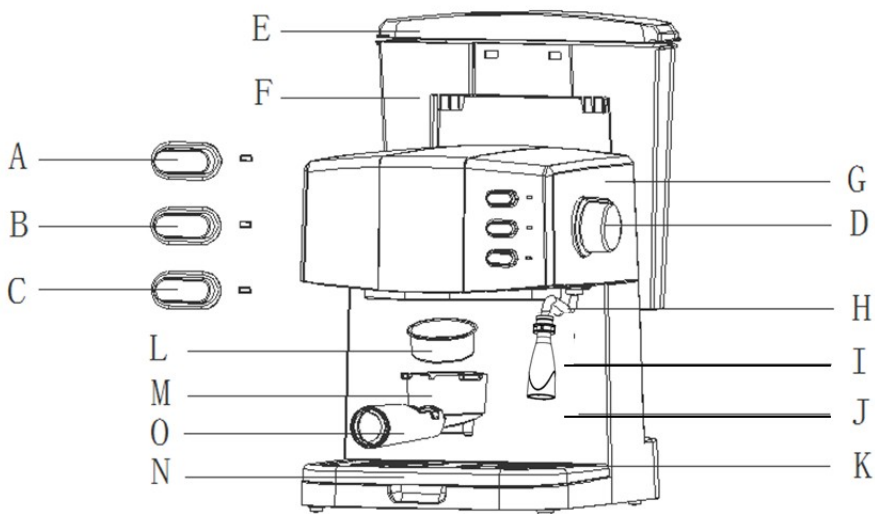
6. Після того як вода більше не випаде, ви можете налити воду в кожен ємність, а потім ретельно очистити їх, тепер можна приступати до заварювання. Примітка. Під час першого відкачування води може виникнути шум, це нормально, прилад випускає повітря всередину. Приблизно через 20 років шум зникне.

ПІДГОТОВКА

Щоб приготувати чашку гарної гарячої кави Еспресо, радимо попередньо розігріти прилад перед приготуванням кави, включаючи воронку, фільтр і чашку, щоб на аромат кави не впливали холодні частини.

1. Вийміть знімний бак і відкрийте кришку резервуара, щоб залити його бажаною водою, рівень води не повинен перевищувати позначку "MAX" в баку. Потім належним чином помістіть бак в прилад.

2. Виберіть сітку з двома склянками. Встановіть сталеву сітку в металеву воронку, переконайтесь, що трубка на лійці вирівнюється з канавкою у приладі, потім вставляйте воронку в прилад з



положення «Вставка», і ви зможете закріпити їх у кавоварка міцно перевертайте її проти годинникової стрілки, поки вона не перебуває у положенні "Блокування".

3. Поставте чашку еспресо на знімну полицю.

4. Потім підключіть прилад до джерела живлення. Переконайтесь, що регулятор пари є в положенні OFF.

5. Натисніть перемикач ON / OFF у положення «-», його лампа загориться, переведіть перемикач кави / пари в положення «O». Натисніть кнопку управління насосом у положенні «-», коли вода витікає, негайно закрийте насос. Мета кроку - закачати воду бака в корпус.

6. Коли загориться лампа в перемикачі керування насосом, слід знову натиснути перемикач керування насосом у положення «-», і тече гаряча вода. Коли лампа в ньому згасне, закрийте насос. Попереднє нагрівання закінчено.

СКЛАДОВІ КАВОВАРКИ:

- A. Перемикач ON / OFF
- B. Вибір кави / пари
- C. Вимикач управління насосом
- D. Ручка управління паром
- E. Кришка резервуара для води
- F. Бак для води
- G. верхнє покриття
- H. Паровий бак для парів
- I. Пристрій для піни
- J. Головний корпус
- K. Знімна полиця
- L. Сталева сітка
- M. Металева воронка
- N. Лоток для крапель
- O. Металева ручка воронки
- P. Вимірювальна ложка та тампер

ЗРОБИТИ ЕСПРЕССО

1. Вийміть лійку, повернувши її за годинниковою стрілкою. Додайте мелену каву в сталеву сітку з мірною ложкою, ложка меленої кави потужністю може скласти близько чашки кави вищого ґатунку, а потім щільно притиснути мелений кавовий порошок тампер.

2. Встановіть сталеву сітку в металеву лійку, переконайтесь, що трубка на воронці вирівняється з канавкою у приладі, потім вставляйте воронку в прилад з положення «Вставити», і ви зможете міцно зафіксувати їх у кавоварці, повернувши її проти годинникової стрілки поки він не знаходиться в положенні "Блокування".

3. Вилийте гарячу воду в чашку. Потім поставте гарячу чашку на знімну полицю.

4. У той час лампа в перемикачі управління насоса повинна загорітися, якщо вона погасла, зачекайте мить, як тільки лампа в ній загоріться, слід натиснути перемикач управління насосом у положення «<-», зачекайте мить, кава витече.

Примітка. Під час роботи, якщо індикатор погас, потрібно закрити насос і зупинитись, щоб приготувати каву еспресо. Через кілька секунд, якщо лампа знову загоріться, ви можете зробити каву еспресо продовженням, натискаючи перемикач управління насосом у положення «<-», лампа вмикається та вимикається, щоб підтримувати температуру води досить гарячою.

5. Ви повинні натиснути перемикач ON / OFF в положення "O" вручну, коли отримана бажана кава або колір кави слабкий. Очевидно, всі індикатори згасають і кавоварка перестає працювати, ваша кава вже готова.

ПОПЕРЕДЖЕННЯ: Не залишайте кавоварку без нагляду під час приготування кави, так як іноді вам потрібно працювати вручну!

6. Закінчивши приготування кави, ви можете витягнути металеву воронку по черзі за годинниковою стрілкою, а потім залити кавові залишки сталеву сітку, натиснутою на прес-бар.

7. Дайте їм повністю охолонути, потім промийте під проточною водою.

ЗРОБИТИ КАПУЧКІНО / МОЛОКО

Ви отримуете чашку капучино, коли доливаєте чашку еспресо з піненим молоком.

Спосіб:

1. first Приготуйте спочатку еспресо з достатньо великою ємністю відповідно до частини "ЗРОБИТИ ESPRESSO COFFEE", переконайтесь, що ручка

регулювання пари знаходиться в положенні OFF.

2. Натисніть перемикач кави / пари в положення «<-», загоріться лампа в перемикачі керування насосом, зачекайте, поки загоріться індикатор у селекторі кави / пари.

Примітка: Під час роботи індикатор у селекторі кави / пари буде включатися та вимикатися, щоб підтримувати потрібну температуру.

3. Налийте глечик приблизно 100 мл молока на кожну капучино, яку потрібно приготувати, рекомендується використовувати незбиране молоко при температурі холодильника (не гаряче!). Примітка. Вибираючи розмір глечика, рекомендується діаметр не менше 70 ± 5 мм, і врахуйте, що молоко збільшується в об'ємі в 2 рази, переконайтесь, що висота глечика є достатньою.

4. slowly Повільно поверніть регулятор регулювання пари проти годинникової стрілки, пара буде виходити з приладу для піни.

Примітка: Ніколи не повертайте кнопку управління парю швидко, оскільки пара швидко накопичиться за короткий час, що може збільшити потенціал ризику вибуху.

5. Вставте в молоко пристрій для піни, розміром приблизно на два сантиметри, пінове молоко таким чином, щоб посудину рухали круглою стрілкою вгору.

7. Коли буде досягнуто потрібної мети, ви можете повернути регулятор регулювання пари в положення OFF.

Примітка: Очистіть патрубков вологою губкою одразу після того, як пар перестане генеруватися, але обережно, щоб не нашкодити!

7 Влийте в заготовлене еспресо збите молоко, тепер капучино готове.

Підсолонити за смаком і за бажанням посипати піну трохи какао-порошку.

8. Натисніть перемикач ON / OFF у положення "O", щоб відключити джерело живлення. Всі показники будуть погашені.

Примітка: радимо дати виробникові охолонути принаймні протягом 5 хв, перш ніж знову приготувати каву. Інакше у вашій каві Еспресо може виникнути запах.

ЗРОБИТИ ПАРУ/ПІНКУ

Парову паличку можна використовувати для приготування гарячих напоїв, таких як пиття шоколаду, води або чаю.

Спосіб:

1. Відкрийте верхню кришку, вийміть знімний бак і наповніть його потрібною водою, рівень води не повинен перевищувати позначку «MAX» в баку.

Потім належним чином помістіть бак в прилад.

2. Поставте верхню кришку, а потім підключіть прилад до джерела живлення.

3. Натисніть перемикач ON / OFF у положення «-», він засвітиться.

4. Переконайтесь, що перемикач кави / пари в положенні «O», переведіть перемикач управління насосом у положення «-», насос буде

перекачувати воду, коли стікає вода, негайно закрийте насос, натисніть каву / перемикач пари в положення «-» і почекайте мить, прилад починає нагріватися, поки не загориться лампа в селекторі кави / пари, що показує, що обігрів закінчено.

5. Вийміть піноутворювач з парової палички.

6. Занурте парову паличку в рідину, яку потрібно нагріти. Поворотом повільно поверніть регулятор регулювання пари проти годинникової стрілки, щоб почати робити пар.

7. Коли буде досягнута необхідна температура, ви можете повернути регулятор регулювання пари в положення OFF.

8. Натисніть перемикач ON / OFF у положення "O", щоб відключити джерело живлення.

ОЧИЩЕННЯ ТА ОБСЛУГОВУВАННЯ:

1. Вимкніть джерело живлення і дайте кавоварці перед чищенням повністю охолонути.

2 often Часто чистіть корпус кавоварки вологозахищеною губкою та чистіть ємність з водою, підносите крапельку та зніміть полицю, після чого регулярно їх сушіть.

Примітка: Не чистіть спиртом або миючим засобом для розчинників. Ніколи не занурюйте корпус у воду для чищення.

3. Від'єднайте металеву лійку, повернувши її за годинниковою стрілкою, позбудьтесь залишків кави всередині, потім ви можете очистити її за допомогою миючого засобу, але нарешті потрібно промити чистою водою.

4. Очистіть усі насадки у воді та ретельно просушіть.

ДОГЛЯД ТА ОЧИЩЕННЯ ОЧИЩЕННЯ НАКИПУ

1. Щоб упевнитись, що ваша кавоварка працює ефективно, внутрішні трубопроводи чистий аромат кави, слід очищати залишки мінеральних речовин, що залишаються кожні 2-3 місяці.

2. Заповніть ємність водою та декалером до рівня МАКС (масштаб води та декалера становить 4: 1, деталь

посилається на інструкцію декалера. Будь ласка, використовуйте "побутовий декалер". Ви можете використовувати лимонну кислоту (можна отримати з аптеки або аптеки) замість декалера (сто частин води і три частини лимонної кислоти).

3. За програмою попереднього нагрівання поставте на місце металеву лійку (в ній немає порошку кави) та глекчик. Заварювання води на "ПОПЕРЕДНЄ НАГРІВАННЯ".

4. Натисніть перемикач ON / OFF у положення «-», його лампа загориться, слід натиснути перемикач керування насосом, переконайтесь, що перемикач кави / пари у положення «O», коли вода витікає та закрийте накачати, і почекайте хвилинку, кавоварка починає нагріватися.

5. Коли світиться лампа в перемикачі керування насосом, вона показує, що нагрівання закінчено. Натиснувши перемикач керування насосом у положення «-», зробіть дві чашки кави (близько 2 Oz). Потім закрийте насос і почекайте 5 с.

6. Натисніть перемикач кави / пари в положення «-», індикатор в перемикачі керування насосом погасне, чекаючи, поки індикатор у селекторі кави / пари не загориться. Зробіть пару на 2

хвилини, повернувши регулятор регулювання пари, потім поверніть регулятор регулювання пари в положення OFF, щоб зупинити подачу пари. Натисніть перемикач ON / OFF у положення "O", щоб негайно зупинити пристрій, змусити декаури зберігати в ньому принаймні 15 хвилин.

7. Перезавантажте прилад і повторіть кроки 4-6 принаймні 3 рази.

8. Потім натисніть перемикач кави / пари в положення «O», загориться лампа в перемикачі управління насосом, потім натисніть перемикач управління насосом у положення «-», щоб заварити, поки не залишиться відмінюючий засіб.

9. Потім заваріть каву (без кавового порошку) водопровідною водою на рівні МАХ, повторіть кроки 4-6 протягом 3 разів (не потрібно чекати 15 хвилин на кроці 6), після чого заваріть, поки не залишиться води в танку.

10. Повторіть крок 9 принаймні 3 рази, щоб переконатися в чистоті трубопроводів.

Попередження

1) Не занурюйте моторний блок в рідину, щоб уникнути ураження електричним струмом.

2) Не використовуйте абразивні чистячі серветки або миючі засоби при очищенні приладу.

Не розбирайте прилад самостійно, якщо причина несправності не знайдена, вам

краще звернутися до сертифікованого сервісного центру.

Несправності	Причини	Усунення
Металеві деталі в баку мають іржу.	Не рекомендується видаляти накип. Це може роз'їдати металеві деталі в баку.	Використовуйте ескалатор, рекомендований виробником.
Вода просочується з дна кавоварки.	У піддоні для крапель є багато води.	Будь ласка, очистіть лоток для крапель.
	Кавоварка несправна.	Зверніться до авторизованого сервісного центру для ремонту.
Вода просочується із зовнішньої сторони фільтра.	На краю фільтра є тріхи кавового порошку.	Позбавтеся від них.
Кислий (оцтовий) смак існує в каві Еспресо.	Не чистити правильно після очищення мінеральних відкладень	Очистіть кавоварку на вміст у "перед першим вживанням" кілька разів.
	Кавовий порошок тривалий час зберігається у гарячому, вологому місці. Кавовий порошок погано виходить.	Будь ласка, використовуйте свіжу кавову пудру або зберігайте невикористаний кавовий порошок у прохолодному, сухому місці. Відкривши упаковку кавового порошку, закрийте її щільно і зберігайте в холодильнику, щоб зберегти її свіжість.
Кавоварка вже не може працювати.	Розетка живлення недостатньо підключена.	Правильно підключіть шнур живлення до розетки, якщо прилад все ще не працює, зверніться до авторизованого сервісного центру з ремонту.
Пара не може пінитися.	Індикатор готовності до пари не горить.	Тільки після того, як загориться індикатор готової пари, пар можна використовувати для піни.
	Ємність занадто велика або форма не підходить.	Використовуйте високу і вузьку чашку.
	Ви використовували знежирене молоко.	Вживайте незбиране молоко або напів знежирене молоко

Технічні характеристики

Потужність:	850 Вт
Номинальна напруга:	220-240 В
Номинальна частота:	50 Гц
Номинальна сила струму:	3,8 А
Вага нетто:	2,80 кг
Вага брутто:	3,90 кг

КОМПЛЕКТАЦІЯ

Кавоварка	1
Інструкція по експлуатації	1
Гарантійний талон	1
Упаковка	1

БЕЗПЕКА НАВКОЛИШНЬОГО СЕРЕДОВИЩА. УТИЛІЗАЦІЯ



Ви можете допомогти в охороні навколишнього середовища!

Будь ласка, дотримуйтесь місцевих правил: передавайте непрацююче електричне обладнання у відповідний центр утилізації відходів.

Виробник залишає за собою право вносити зміни в технічні характеристики й дизайн виробів.



КОФЕВАРКА

Уважаемый покупатель!

Поздравляем Вас с приобретением изделия торговой марки "Vegas". Уверены, что наши изделия будут верными и надежными помощниками в Вашем домашнем хозяйстве.

Не подвергайте устройство резким перепадам температур. Резкая смена температуры (например, внесение устройства с мороза в теплое помещение) может вызвать конденсацию влаги внутри устройства и нарушить его работоспособность при включении.

Устройство должно отстояться в теплом помещении не менее 1,5 часов. Ввод устройства в эксплуатацию после транспортировки производит не ранее, чем через 1,5 часа после внесения его в помещение.

Важно

Не погружайте блок мотора в воду или любую другую жидкость, а также не мойте его под краном. Используйте только мягкую

влажную ткань для очистки блока мотора.

Меры предосторожности

Перед тем, как начать использовать электрический прибор, всегда следует соблюдать основные меры безопасности:

1. Прочитайте все инструкции.
2. Перед использованием убедитесь, что напряжение на розетке стенки соответствует номинальному напряжению, указанному на табличке.
3. Этот прибор оборудован заземленной вилкой. Убедитесь, что розетка в вашем доме хорошо заземлена.
4. Для защиты от пожара, поражения электрическим током и травм людей никогда не погружайте шнур, вилку в воду или другую жидкость.
5. Выньте вилку из розетки перед чисткой и когда не используется. Дайте прибору полностью остыть перед снятием, присоединением компонентов или перед чисткой.
6. Не пользуйтесь прибором с поврежденным шнуром или штепсельной вилкой или после неисправности прибора, возможно он поврежден. Верните прибор в ближайший уполномоченный сервисный центр для проверки, ремонта или электрической/ механической настройки.

7. Использование аксессуаров, не рекомендуемые производителем прибора может привести к пожару, поражению электрическим током или травмированию людей.
8. Поставьте прибор на ровную поверхность или стол, не вешайте шнур питания за край стола или столешницы.
9. Убедитесь, что шнур питания не касается горячей поверхности прибора.
10. Не ставьте кофеварку на горячую поверхность или у огня, чтобы избежать ее повреждения.
11. Для отключения выньте вилку из розетки. Всегда держите вилку. Но никогда не тяните за шнур.
12. Используйте прибор только строго по назначению, храните в сухом месте.
13. Пристальный контроль необходим, когда ваш прибор используется рядом с детьми.
14. Будьте осторожны, чтобы пенка не пригорела.
15. Не прикасайтесь к горячей поверхности прибора (например, паровой палочке и стальной сетке). Используйте ручку или ручки.
16. Не позволяйте кофеварке работать без воды.
17. Не удаляйте металлическую воронку при применении для заваривания кофе или приготовления пара.
18. Перед использованием, подключите вилку к розетке. Выключайте выключатель, прежде чем вынимать вилку из розетки.
19. Этот прибор не предназначен для использования лицами (включая детей) с пониженными физическими, сенсорными или умственными возможностями или отсутствием опыта и знаний, если им не предоставлено надзор инструкцию по использованию приборов лицом, ответственным за их безопасность.
20. Детей следует контролировать, чтобы они не играли с прибором. Дети в возрасте от 3 лет и младше 8 лет не должны подключать, регулировать и чистить прибор или выполнять обслуживание.

21. Этот прибор предназначен для использования в бытовых и подобных местах, таких как:

- кухонные помещения персонала в магазинах, офисах и других рабочих средах;
 - фермерские дома;
 - клиентами в гостиницах, отелях и других средах жилого типа;
 - среде типа кровать и завтрак.
22. Не используйте на открытом воздухе.
23. Сохраните эти указания.

**Срок службы – 2 года.
До введения в эксплуатацию срок хранения неограничен.**

Предупреждение

- 1) Не погружайте моторный блок в жидкость во избежание поражения электрическим током.
- 2) Не используйте абразивные чистящие салфетки или моющие средства при очистке прибора.

УСЛОВИЯ ХРАНЕНИЯ

Изделие рекомендуется хранить в складских или домашних условиях и при необходимости транспортировать любым видом общественного крытого транспорта в имеющейся индивидуальной потребительской таре. Место хранения (транспортировки) должно быть недоступным для попадания влаги, прямого солнечного света и должно исключать возможность механических повреждений. Если прибор не используется в течение длительного времени, он должен быть защищен от пыли и храниться в чистом, сухом месте.

ЭКСПЛУАТАЦИЯ

Перед первым использованием Чтобы первая чашка кофе имела прекрасный вкус, промойте кофеварку теплой водой:

1. Налейте воду в бак для воды, уровень воды не должен превышать отметку "MAX" в баке. Затем замените крышку резервуара для воды.

Примечание: прибор оснащен съемным бачком для легкой очистки, вы можете сначала наполнить емкость водой, а затем поставить емкость в прибор.

2. Установите стальную сетку в металлическую воронку.
3. Поставьте кувшин на съемную полку. Убедитесь, что регулятор пара стоит в положении OFF.

Примечание: прибор не оборудован кувшином, пожалуйста, используйте кувшин или кофейную чашку.

4. Подключите к источнику питания, включите переключатель ON / OFF в положение «-». Лампа сама по себе будет освещена.
5. Переключатель управления насосом, в положении "-" будет перекачивать воду, когда стечёт вода - закройте насос, нажав переключатель управления насосом на "0", нажмите переключатель кофе / пар на «0» и подождите минуту, прибор начинает предварительно нагреваться до тех пор, пока не загорится внутренняя лампа выключателя управления насосом, на которой видно, что предварительный нагрев закончен. Снова нажмите переключатель управления насосом в положение «-», и вода вытечет.

6. После того как вода больше не вытекает, вы можете налить воду в каждую емкость, а затем тщательно очистить их, теперь можно приступать к завариванию.

Примечание. Во время первой откачки воды может возникнуть шум, это нормально, прибор выпускает воздух внутрь. Через некоторое время шум исчезнет.

ПОДГОТОВКА

Чтобы приготовить чашку хорошего горячего кофе Эспрессо, советуем предварительно разогреть прибор перед приготовлением кофе, включая воронку, фильтр и чашку, чтобы на аромат кофе не влияли холодные части.

1. Извлеките съемный бак и откройте крышку резервуара, чтобы залить его водой, уровень воды не должен превышать отметку "MAX" в баке. Затем

должным образом поместите бак в машину.

2. Выберите сетку с двумя стаканами. Установите стальную сетку в металлическую воронку, убедитесь, что трубка на воронке выровняется с канавкой в приборе, вставьте воронку в прибор в положение «Вставка», и вы сможете закрепить их в кофеварке прочно переворачивайте ее против часовой стрелки, пока она не находится в положении "Блокировка".
3. Поставьте чашку эспрессо на съемную полку.
4. Затем подключите прибор к источнику питания. Убедитесь, что регулятор пары есть в положении OFF.
5. Нажмите переключатель ON / OFF в положение «-», его лампа загорится, переведите переключатель кофе / пара в положение «0». Нажмите кнопку управления насосом в положении «-», когда вода вытекает, немедленно закройте насос. Цель шага - закачать воду бака в корпус.
6. Когда загорится лампа в переключателе управления насосом, следует снова нажать переключатель управления насосом в положение «-», и течет горячая вода. Когда лампа в нем погаснет, закройте насос. Предварительный нагрев закончен.

СДЕЛАТЬ ЭСПРЕССО

1. Выньте воронку, повернув ее по часовой стрелке. Добавьте молотый кофе в стальную сетку с мерной ложкой, ложка молотого кофе мощностью может составить около чашки кофе высшего сорта, а затем плотно прижать молотый кофейный порошок тампер.
2. Установите стальную сетку в металлическую воронку, убедитесь, что трубка на воронке выровняется с канавкой в приборе, вставляя воронку в прибор из положения «Вставить», и вы сможете крепко зафиксировать их в кофеварке, повернув ее против часовой стрелки пока он не находится в положении «Блокировка».

3. Вылейте горячую воду в чашку. Затем поставьте горячую чашку на съемную полку.

4. В то время лампа в переключателе управления насоса должна загореться, если она погасла, подождите минуту, как только лампа в ней загорится, следует нажать переключатель управления насосом в положение «-», подождать минуту, кофе вытечет. Примечание. Во время работы, если индикатор погас, нужно закрыть насос и остановиться, чтобы приготовить кофе эспрессо. Через несколько секунд, если лампа снова загорится, вы можете сделать кофе эспрессо продолжением, нажимая переключатель управления насосом в положение «->», лампа включается и выключается, чтобы поддерживать температуру воды достаточно горячей.

5. Вы должны нажать переключатель ON / OFF в положение "O" вручную, когда получена желаемая кофе или цвет кофе слабый. Очевидно, все индикаторы гаснут и кофеварка перестает работать, ваш кофе уже готова.

ПРЕДУПРЕЖДЕНИЕ: Не оставляйте кофеварку без присмотра во время приготовления кофе, так как иногда вам нужно работать вручную!

6. Закончив приготовления кофе, вы можете извлечь металлическую воронку поочередно по часовой стрелке, а затем залить кофейные остатки стальной сеткой, нажатой на пресс отеля.

7. Дайте им полностью остыть, затем промойте под проточной водой.

СДЕЛАТЬ КАПУЧИНО / МОЛОКО

Вы получаете чашку капучино, когда доливаете чашку эспрессо с пинены молоком.

образом:

1 first Приготовьте сначала эспрессо с достаточно большой емкостью в соответствии с "СДЕЛАТЬ ESPRESSO COFFEE", убедитесь, что ручка регулировки пары находится в положении OFF.

2, Нажмите переключатель кофе / пара в положение «->», загорится лампа в

переключателе управления насосом, подождите, пока загорится индикатор в селекторе кофе / пара.

Примечание: Во время работы индикатор в селекторе кофе / пара будет включаться и выключаться, чтобы поддерживать нужную температуру.

3 Налейте кувшин примерно 100 мл молока на каждую капучино, которую нужно приготовить, рекомендуется использовать цельное молоко при температуре холодильника (не жарко!). Примечание. Выбирая размер кувшина, рекомендуется диаметр не менее 70 ± 5 мм, и учтите, что молоко увеличивается в объеме в 2 раза, убедитесь, что высота кувшина является достаточным. 4 slowly Медленно поверните регулятор регулирования пары против часовой стрелки, пара будет выходить из прибора для пены.

Примечание: Никогда не поворачивайте кнопку управления парой быстро, поскольку пара быстро накопится за короткое время, что может увеличить потенциал риска взрыва.

5 Вставьте в молоко устройство для пены, размером примерно на два сантиметра, пиновое молоко таким образом, чтобы сосуд двигали круглой стрелкой вверх.

7. При достижении нужной цели, вы можете вернуть регулятор регулирования пары в положение OFF.

Примечание: Очистите патрубок влажной губкой сразу после того, как пар перестанет генерироваться, но осторожно, чтобы не навредить!

7 Влейте в заготовленное эспрессо взбитое молоко, теперь капучино готово. Подсластите по вкусу и по желанию посыпать пену немного какао-порошка.

8, Нажмите переключатель ON / OFF в положение "O", чтобы отключить источник питания. Все показатели будут погашены.

Примечание: советуем дать производителю остыть крайней мере в течение 5 мин, прежде чем снова приготовить кофе. Иначе в вашей кофе Эспрессо может возникнуть запах.

СДЕЛАТЬ ПАР/ПЕНКУ

Паровую палочку можно использовать для приготовления горячих напитков, таких как питья шоколада, воды или чая.

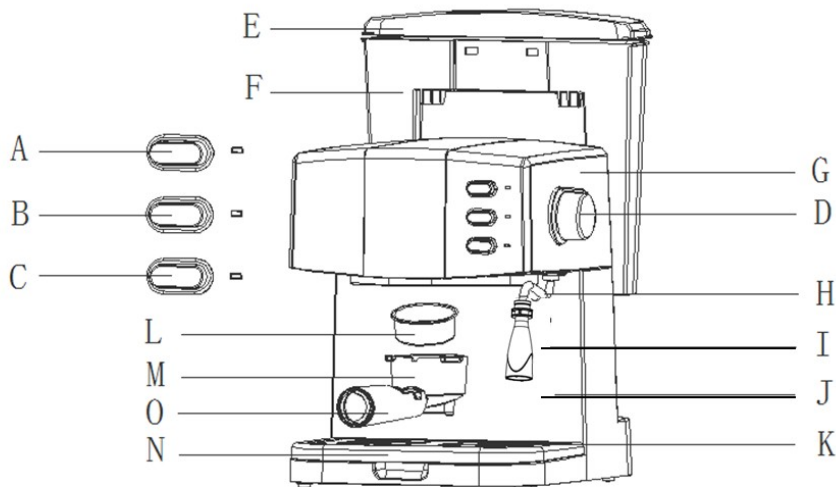
образом:

1. Откройте верхнюю крышку, Выньте съемный бак и Наполните его нужной водой, уровень воды НЕ должен превышать отметку «MAX» в баке. Затем должным образом поместить бак в машину.
2. Поставьте верхнюю крышку, а затем Подключите прибор к источнику питания.
- 3.Нажмите переключатель ON / OFF в положение «-», он загорится.
4. Убедитесь, что переключатель кофе / пара в положении «O», переведите переключатель управления насосом в положение "-" имущество будет перекачивать воду, когда стекает вода, немедленно закройте насос, нажмите кофе / переключатель пара в положение «-» и подождите момент , прибор начинает нагреваться, пока не загорится лампа в селекторе кофе / пара, показывает, что обогрев закончено.
5. Выньте пенообразователь с паровой палочки.
6. окуная паровую палочку в жидкость,

которую нужно Нагреть. Поворотно медленно Поверните регулятор регулирования пары против часовой стрелки, чтоб начать делать пар.
7. Когда будет достигнута необходимая температура, вы можете вернуть регулятор регулирования пара в положение OFF.
8. Нажмите переключатель ON / OFF в положение "O", чтоб отключить источник питания.

Составляющие кофеварки:

- A. Переключатель ON / OFF
- B. Выбор кофе / пара
- C. Выключатель управления насосом
- D. Ручка управления пара
- E. Крышка резервуара для воды
- F. Бак для воды
- G. верхнее покрытие
- H. Паровой бак для паров
- I. Устройство для пены
- J. Главный корпус
- K. Съемная полка
- L. Стальная сетка
- M. Металлическая воронка
- N. Лоток для капель
- O. Металлическая ручка воронки
- P. Измерительная ложка и тампер



ОЧИСТКА И ОБСЛУЖИВАНИЕ:

1 Выключите источник питания и дайте кофеварке перед чисткой полностью остыть.

2 often Часто чистите корпус кофеварки влагозащищенной губкой и чистите емкость с водой, подносите капельку и съемную полку, после чего регулярно их сушите.

Примечание: Не чистите спиртом или мощим средством для растворителей. Запрещается погружать корпус в воду для чистки.

3, отсоедините металлическую воронку, повернув ее по часовой стрелке, избавьтесь остатков кофе внутри, затем вы можете очистить ее с помощью мощного средства, но наконец нужно промыть чистой водой.

4, Очистите все насадки в воде и тщательно просушите.

УХОД И ОЧИСТКА ОЧИСТКА НАКИПИ

1. Чтобы убедиться, что ваша кофеварка работает эффективно, внутренние трубопроводы чистый аромат кофе, следует очищать остатки минеральных веществ, остаются каждые 2-3 месяца.

2. Заповнить емкость водой и декалером до уровня МАКС (масштаб воды и декалера составляет 4: 1, деталь ссылается на инструкцию декалера. Пожалуйста, используйте "бытовой декалер". Вы можете использовать лимонную кислоту (можно получить из аптеки или аптеки) вместо декалера (сто частей воды и три части лимонной кислоты).

3. По программе предварительного нагрева поставьте на место металлическую воронку (в ней нет порошка кофе) и кувшин. Заваривания воды на "ПРЕДВАРИТЕЛЬНЫЙ НАГРЕВ".

4. Нажмите переключатель ON / OFF в положение «-», его лампа загорится, следует нажать переключатель управления насосом, убедитесь, что переключатель кофе / пара в положение «О», когда вода вытекает и закройте накачать, и подождать

минутку, кофеварка начинает нагреваться .

5. Когда светится лампа в переключателе управления насосом, она показывает, что нагрев закончен. Нажав переключатель управления насосом в положение «-», сделайте две чашки кофе (около 2 Оз). Затем закройте насос и подождите 5 с.

6. Нажмите переключатель кофе / пара в положение «-», индикатор в переключателе управления насосом погаснет, ожидая, пока индикатор в селекторе кофе / пары не загорится. Сделайте пару на 2 минуты, вернув регулятор регулирования пары, затем поверните регулятор регулирования пары в положение OFF, чтобы остановить подачу пара. Нажмите переключатель ON / OFF в положение "О", чтобы немедленно остановить устройство, заставить декауры хранить в нем не менее 15 минут.

7. Перезагрузите устройство и повторите шаги 4-6 по крайней мере 3 раза.

8. Затем нажмите переключатель кофе / пара в положение «О», загорится лампа в переключателе управления насосом, затем нажмите переключатель управления насосом в положение «-», чтобы заварить, пока не останется отменяя средство.

9. Затем заварите кофе (без кофейного порошка) водопроводной водой на уровне МАХ, повторите шаги 4-6 в течение 3 раз (не нужно ждать 15 минут на этапе 6), после чего заварите, пока не останется воды в танке.

10. Повторите шаг 9 по крайней мере 3 раза, чтобы убедиться в чистоте трубопроводов.

предупреждение

1) Не опускайте моторный блок в жидкость, чтобы избежать поражения электрическим током.

2) Не используйте абразивные чистящие салфетки или мощные средства при очистке прибора. Не разбирайте прибор самостоятельно, если причина неисправности не найдена, вам лучше обратиться к

сертифицированному сервисного центра.

Неполадки	Причины	Устранение
Металлические детали в баке имеют ржавчину.	Не рекомендуется удалять накипь. Это может разъесть металлические детали в баке.	Используйте эскалатор, рекомендованный производителем.
Вода просачивается со дна кофеварки.	В поддоне для капель много воды.	Пожалуйста, очистите лоток для капель.
	Кофеварка неисправна.	Обратитесь в авторизованный сервисный центр для ремонта.
Вода просачивается с внешней стороны фильтра.	На краю фильтра немного кофейного порошка.	Избавьтесь от них.
Кислый (уксусный) вкус существует в кофе Эспрессо.	Не чистить правильно после очистки отложений	Очистите кофеварку на содержание в "перед первым употреблением" несколько раз.
	Кофейный порошок длительное время сохраняется в горячем, влажном месте. Кофейный порошок плохо получается.	Пожалуйста, используйте свежую кофейную пудру или храните неиспользованный кофейный порошок в прохладном, сухом месте. Открыв упаковку кофейного порошка, закройте ее плотно и храните в холодильнике, чтобы сохранить ее свежесть.
Кофеварка уже не может работать.	Розетка питания недостаточно подключена.	Правильно подключите шнур питания к розетке, если прибор все еще не работает, обратитесь в авторизованный сервисный центр по ремонту.
Пар не может пениться.	Индикатор готовности к пару не горит.	Только после того, как загорится индикатор готовой пары, пар можно использовать для пены.
	Емкость слишком большая или форма не подходит.	Используйте высокую и узкую чашку.
	Вы использовали обезжиренное молоко.	Употребляйте цельное молоко или полу обезжиренное молоко

Технические характеристики

Мощность:	850 Вт
Номинальное напряжение:	220-240 В
Номинальная частота:	50 Гц
Номинальная сила тока:	3,8 А
Вес нетто:	2,80 кг
Вес брутто:	3,90 кг

КОМПЛЕКТАЦИЯ

Кофеварка	1
Инструкция по эксплуатации	1
Гарантийный талон	1
Упаковка	1

БЕЗОПАСНОСТЬ ОКРУЖАЮЩЕЙ СРЕДЫ. УТИЛИЗАЦИЯ



Вы можете помочь в охране окружающей среды!

Пожалуйста, соблюдайте местные правила: передавайте неработающее электрическое оборудование в соответствующий центр утилизации отходов.

Производитель оставляет за собой право вносить изменения в технические характеристики и дизайн изделий.



CUPTOR CU MICROUND

Stimate cumpărător!

Vă felicităm pentru că ați cumpărat dispozitivul sub denumirea comercială "Vegas". Suntem siguri că dispozitivele noastre vor deveni asistență esențială și fiabilă în menaj.

Evitați schimbările extreme de temperatură. Schimbarea rapidă a temperaturii (de exemplu, când unitatea este mutată de la temperatura de congelare într-o încăpere caldă) poate provoca condens în interiorul unității și o defecțiune la pornirea acesteia. În acest caz, lăsați unitatea la temperatura camerei cel puțin 1,5 ore înainte de a o porni.

Dacă unitatea a fost în tranzit, lăsați-o în interior timp de cel puțin 1,5 ore înainte de începerea funcționării.

Vă rugăm să citiți cu atenție această broșură înainte de a repara și utiliza, și păstrați-o pentru referințe viitoare.

MĂSURI DE SIGURANȚĂ IMPORTANTE

Înainte de a utiliza aparatul electric, trebuie să se respecte întotdeauna următoarele precauții, inclusiv următoarele:

1. Citiți toate instrucțiunile.
2. Înainte de a utiliza, verificați dacă tensiunea de ieșire a peretelui corespunde tensiunii nominale marcate pe placa nominală.
3. Acest aparat a fost încorporat cu un conector împământat. Vă rugăm să vă asigurați că priza de perete din casă este bine împământată.
4. Pentru a vă proteja împotriva incendiilor, șocurilor electrice și vătămărilor persoanelor, nu scufundați cablul, fișa, în apă sau alt lichid.
5. Scoateți ștecherul de la priza de perete înainte de curățare și atunci când nu este utilizat. Lăsați aparatul să se răcească complet înainte de decolare, fixarea componentelor sau înainte de curățare.
6. Nu folosiți niciun aparat cu un cordon sau ștecher deteriorat sau după defectarea aparatului sau este căzut sau deteriorat în vreun fel. Întoarceți aparatul la cel mai apropiat centru de service autorizat pentru examinare, reparare sau reglare electrică sau mecanică.
7. Folosirea accesoriilor accesorii nerecomandate de producătorul aparatului poate duce la incendii, electrocutare sau vătămarea persoanelor.
8. Puneți aparatul pe o suprafață plană sau pe masă, nu atârnați cablul de alimentare peste marginea mesei sau a blatului.
9. Asigurați-vă că cablul de alimentare nu atinge suprafața fierbinte a aparatului.
10. Nu așezați aparatul de cafea pe suprafața fierbinte sau lângă foc pentru a evita deteriorarea.
11. Pentru a vă deconecta, scoateți ștecherul de la priza de perete. Țineți întotdeauna mufa. Dar nu trage niciodată cablul.
12. Nu folosiți aparatul în alt mod decât cel prevăzut și nu lăsați-l într-un mediu uscat.
13. Este necesară o supraveghere atentă atunci când aparatul este utilizat lângă copii.
14. Aveți grijă să nu vă ardeți de aburi.

15. Nu atingeți suprafața fierbinte a aparatului (cum ar fi bagheta cu aburi și plasa de oțel doar în clocot). Folosiți mâner sau butoane.
16. Nu lăsați aparatul de cafea să funcționeze fără apă.
17. Nu îndepărtați pâlnia metalică atunci când aparatul se prepară cafea sau face aburi.
18. Conectați mufa la priză înainte de a utiliza și opriți orice întrerupător înainte de a fi scoasă de la priză.
19. Acest aparat nu este destinat utilizării de către persoane (inclusiv copii) cu capacități fizice, senzoriale sau mentale reduse sau lipsă de experiență și cunoștințe, cu excepția cazului în care au primit supraveghere sau instrucțiuni cu privire la utilizarea aparatelor de către o persoană responsabilă pentru Siguranță.
20. Copiii trebuie supravegheați pentru a se asigura că nu se joacă cu aparatul. Copiii de la 3 ani și sub 8 ani nu trebuie să se conecteze, să regleze și să curețe dispozitivul sau să efectueze întreținere.
21. Acest aparat este destinat să fie utilizat în gospodăria și în aplicații similare, cum ar fi:
 - zone de bucătărie pentru personal din magazine, birouri și alte medii de lucru;
 - case ferme;
 - de către clienții din hoteluri, moteluri și alte medii de tip rezidențial;
 - medii de tip pensiune și mic dejun.
22. Nu folosiți în aer liber.
23. Salvați aceste instrucțiuni.

• Durata de viață - 2 ani.

Înainte de punerea în funcțiune, perioada de valabilitate este nelimitată.

ÎNAINTE DE PRIMA UTILIZARE

Pentru a asigura prima cană de cafea are un gust excelent, trebuie să clătiți aparatul de cafea cu apă caldă după cum urmează:

1. Turnați apa în rezervorul de apă, nivelul apei nu trebuie să depășească marcajul „MAX” din rezervor. Apoi înlocuiți capacul rezervorului de apă.
- Notă: aparatul este furnizat cu un rezervor detașabil pentru o curățare

ușoară, puteți umple rezervorul mai întâi cu apă, apoi puneți rezervorul în aparat.

2. Setați ochiurile de oțel într-o pâlnie metalică (fără cafea în plasă de oțel).
 3. Puneți un ulcior pe raftul detașabil. Asigurați-vă că butonul de control al aburului este în poziția OFF.
- Notă: aparatul nu este echipat cu ulcior, vă rugăm să folosiți singuri ulcior sau ceașcă de cafea.
4. Conectați-vă la sursa de alimentare, rotiți comutatorul ON / OFF în poziția „-”.
- Lampa în sine va fi luminată.
5. Rotiți comutatorul de comandă al pompei în poziția „-”, pompa va pompa apa, atunci când iese apă și închide pompa apăsând întrerupătorul de control al pompei în „O”, apăsați selectorul de cafea / abur pe „ Poziție O ”și așteptați un moment, aparatul începe să fie preîncălzit până când lampa interioară a comutatorului de comandă a pompei este aprinsă, arată că preîncălzirea este terminată. Apăsați din nou întrerupătorul de comandă al pompei în poziția „-” și va ieși apă.

6. După ce apa nu mai scade, puteți turna apa în fiecare recipient apoi curățați-le bine, acum puteți începe să preparați.
- Notă: Poate fi zgomot când pompezi apa pentru prima dată, este normal, aparatul eliberează aerul din interior. După aproximativ 20 de ani, zgomotul va dispărea.

PREÎNCĂLZIRE

Pentru a face o ceașcă de cafea fierbinte Espresso bună, vă recomandăm să preîncălziți aparatul înainte de a face cafea, inclusiv pâlnia, filtrul și cana, astfel încât aroma cafelei să nu poată fi influențată de părțile reci.

1. Scoateți rezervorul detașabil și deschideți capacul rezervorului pentru a-l umple cu apă dorită, nivelul apei nu trebuie să depășească marcajul „MAX” din rezervor. Apoi introduceți rezervorul în aparat corect.
2. Selectați ochiurile cu două ochiuri, setați ochiurile de oțel în pâlnie metalică, asigurați-vă că tubul de pe pâlnie se aliniează cu canelura din aparat, apoi introduceți pâlnia în aparat din poziția

„Insert” și le puteți fixa în filtrul de cafea prin rotirea fermă în sensul acelor de ceasornic până când este în poziția „Blocare”

3. Puneți o ceașcă espresso pe un raft detașabil.

4. Apoi conectați aparatul la sursa de alimentare. Asigurați-vă că butonul de control al aburului este în poziția OFF.

5. Apăsăți butonul de pornire / oprire în poziția „-”, lampa acestuia va fi iluminată, faceți selectorul de cafea / abur în poziția „O”. Apăsăți butonul de control al pompei în poziția „-”, atunci când iese apă, închideți imediat pompa. Scopul etapei este de a pompa apa rezervorului în carcasă.

6. Când lampa din comutatorul de control al pompei este aprinsă, ar trebui să apăsați din nou butonul de control al pompei pe poziția „-”, va ieși apă fierbinte. Când lampa din ea este stinsă, închideți pompa. Preîncălzirea este terminată.

FACE ESPRESSO

1. Scoateți pâlnia rotind-o în sens orar. Adăugați cafea măcinată în ochiurile de oțel cu lingură de măsurare, o putere de cafea măcinată poate produce aproximativ o ceașcă de cafea de cea mai bună calitate, apoi apăsați bine pulberea de cafea măcinată cu ajutorul tamponului.

2. Setăți ochiurile de oțel în pâlnie metalică, asigurați-vă că tubul de pe pâlnie se aliniază cu canelura din aparat, apoi introduceți pâlnia în aparat din poziția „Introduceți” și le puteți fixa ferm în aparatul de cafea prin rotirea acesteia în sensul acelor de ceasornic. până când este în poziția „Blocare”.

3. Turnați apa caldă în ceașcă. Apoi puneți cana fierbinte pe un raft detașabil.

4. La momentul respectiv, lampa din comutatorul de control al pompei trebuie să fie aprinsă, dacă este stinsă, așteptați un moment, odată ce lampa din ea este aprinsă, ar trebui să apăsați întrerupătorul de control al pompei în poziția „-”, așteptați o clipă, va ieși cafea.

Notă: În timpul funcționării, dacă indicatorul este stins, trebuie să închideți pompa și să vă opriți pentru a face cafea

espresso. După câteva secunde, dacă lampa este aprinsă din nou, puteți face ca cafeaua espresso să fie continuată apăsând întrerupătorul de control al pompei în poziția „-”, lampa este pornită și oprită pentru a menține temperatura apei suficient de caldă.

5. Ar trebui să apăsați butonul de pornire / oprire în poziția „O” manual când se obține cafeaua dorită sau culoarea cafelei se schimbă slab, evident, toate indicatoarele se sting și aparatul de cafea nu mai funcționează, cafeaua dvs. este gata acum.

AVERTIZARE: Nu lăsați aparatul de cafea nesupravegheat în timpul fabricării cafelei, deoarece trebuie să acționați manual uneori!

6. După ce ați terminat de făcut cafeaua, puteți scoate pâlnia metalică prin rotire în sensul acelor de ceasornic, apoi turnați reziduul de cafea cu plasă de oțel apăsată de bara de presare.

7. Lăsați-le să se răcească complet, apoi clătiți sub apă curgătoare.

FACI CAPPUCCINO / LAPTE ÎNGĂRZIT

Obțineți o ceașcă de cappuccino când reincărcăți o ceașcă de espresso cu lapte spumat.

Metodă:

1. Pregătiți espressorul mai întâi cu un recipient suficient de mare conform piesei „MAKE ESPRESSO CAFFEE”, asigurați-vă că butonul de control al aburului este în poziția OFF.

2. Apăsăți selectorul de cafea / abur în poziția „-”, lampa din comutatorul de comandă a pompei va fi aprinsă, așteptați până când indicatorul din selectorul de cafea / abur este aprins.

Notă: În timpul funcționării, indicatorul din selectorul de cafea / abur va porni și opri pentru a menține temperatura dorită.

3. Umpleți un ulcior cu aproximativ 100 ml de lapte pentru fiecare cappuccino care trebuie preparat, vi se recomandă să folosiți lapte integral la temperatura frigiderului (nu este cald!).

Notă: În alegerea mărimii ulciorului, se recomandă ca diametrul să nu fie mai mic de 70 ± 5 mm și să nu uitați că laptele

crește în volum de 2 ori, asigurați-vă că înălțimea ucliorii este suficientă.

4. Rotiți butonul de control al aburului lent în sensul acelor de ceasornic, aburul va ieși din dispozitivul de spumare.

Notă: Nu rotiți niciodată butonul de control al aburului, deoarece aburul se va acumula rapid în scurt timp, ceea ce poate crește potențialul riscului de explozie.

5. Introduceți dispozitivul de spumare în laptele de aproximativ doi centimetri, spumând laptele în modul în care se mișcă vasul de sus în jos.

7. Când se atinge scopul necesar, puteți roti butonul de control al aburului în poziția OFF.

Notă: Curățați evacuarea aburului cu burete umede imediat după ce aburul nu se mai produce, dar aveți grijă să nu faceți rău!

7. Turnați laptele spumat în espresso pregătit, acum cappuccino este gata. Indulciți după gust și, dacă doriți, presărați spuma cu puțină pudră de cacao.

8. Apăsăți butonul de pornire / oprire în poziția „O” pentru a opri sursa de alimentare. Toate indicatoarele vor fi stinse.

Notă: vă recomandăm să permiteți producătorului să se răcească cel puțin 5 min înainte de a face din nou cafea. În caz contrar, mirosul ars ar putea apărea în cafeaua Espresso.

FACE FURĂ

Bagheta cu aburi poate fi folosită pentru a prepara băuturi calde, cum ar fi ciocolată, apă sau ceai.

Metodă:

1. Deschideți capacul superior, îndepărtați rezervorul detașabil și umpleți-l cu apă dorită, nivelul apei nu trebuie să depășească marcajul „MAX” din rezervor. Apoi introduceți rezervorul în aparat corect.

2. Înlocuiți capacul superior, apoi conectați aparatul la sursa de alimentare.

3. Apăsăți butonul de pornire / oprire în poziția „-”, lampa este aprinsă.

4. Asigurați-vă că selectorul de cafea / abur în poziția „O”, rotiți comutatorul de comandă al pompei în poziția „-”, pompa

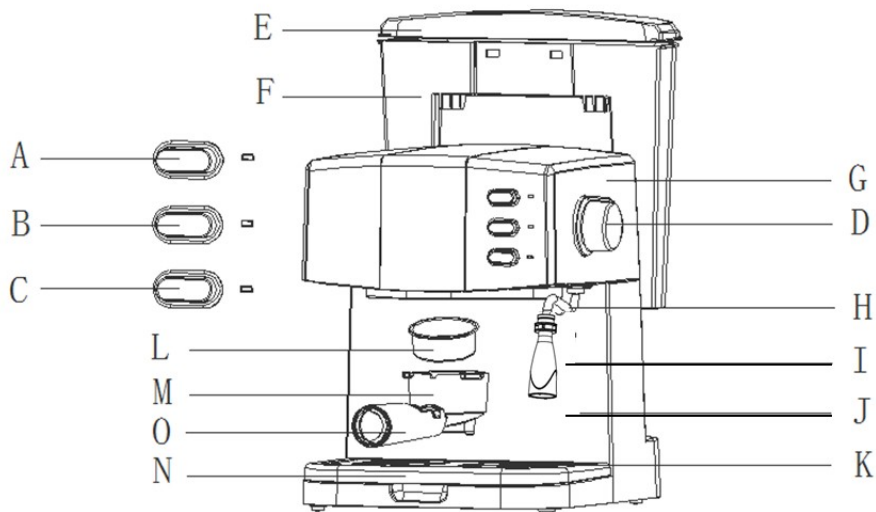
va pompa apa, atunci când iese apă, închideți imediat pompa, apăsați cafeaua / selector de abur în poziția „-” și așteptați un moment, aparatul începe să se încălzească până când lampa lampă din selectorul de cafea / abur este aprinsă, arată că încălzirea este terminată.

5. Scoateți dispozitivul de spumare de pe bagheta cu aburi.

6. Introduceți bagheta aburului în lichidul care trebuie încălzit. Rotiți butonul de control al aburului în sens invers acelor de ceasornic pentru a începe să facă abur.

7. Când este atinsă temperatura dorită, puteți roti butonul de control al aburului în poziția OFF.

8. Apăsăți butonul de pornire / oprire în poziția „O” pentru a opri sursa de alimentare.



CUNOAȘTE-ȚI FĂRĂTORUL DE CAFĂ

- A. Comutator pornit / oprit
- B. Selector de cafea / abur
- C. Comutatorul de control al pompei
- D. Buton de control al aburului
- E. capacul rezervorului de apă
- F. rezervor de apă
- G. copertă de sus
- H. Rezervor de apă cu bagheta cu aburi
- I. Dispozitiv de spumă
- J. Corpul principal
- K. raft detașabil
- L. Plasa de oțel
- M. pâlnie metalică
- O. Mânerul pâlniei metalice
- P. Măsurător lingură și manipulare

CURATENIE SI MENTENANTA:

Tăiați sursa de alimentare și lăsați aparatul de cafea să se răcească complet înainte de curățare.

Curățați adesea carcasa aparatului de cafea cu un burete rezistent la umiditate și curățați rezervorul de apă, tava de scurgere și raftul detașabil, apoi uscați-le. Notă: Nu curățați cu alcool sau cu soluție de curățare a solvenților. Nu scufundați niciodată carcasa în apă pentru curățare. Desprindeți pâlnia metalică întorcând-o în sensul acelor de ceasornic, scăpați de reziduurile de cafea din interior, apoi puteți curăța cu demachiant, dar în cele din urmă trebuie să clătiți cu apă limpede. Curățați toate atașamentele din apă și uscați-le bine.

CURĂȚAREA DEPOZITELOR MINERALE

1. Pentru a vă asigura că aparatul dvs. de cafea funcționează eficient, conductele interne sunt curate și aroma maximă a cafelei, ar trebui să curățați depozitele de minerale rămase la fiecare 2-3 luni.

2. Umpleți rezervorul cu apă și descărcător la nivelul MAX (scala de apă și descărcător este de 4: 1, detaliul se referă la instrucțiunile descărcătorului. Vă rugăm să folosiți „descărcător casnic”, puteți utiliza acidul citric (obținut de la chimist sau depozite de medicamente) în loc de decalor (cele o sută de părți de apă și trei părți de acid citric).

3. În conformitate cu programul de preîncălzire, puneți pâlnia metalică (fără pudră de cafea în ea) și uciior la loc. Apă de băut pe „PRE-ÎNCĂLZIRE”.

4. Apăsăți butonul de pornire / oprire în poziția „-”, lampa de iluminare a acestuia este aprinsă, ar trebui să apăsați întrerupătorul de control al pompei, asigurați-vă că selectorul de cafea / abur în poziția „O”, atunci când iese apă și închideți pompează și așteptați o clipă, aparatul de cafea începe să fie încălzit.

5. Când lampa din comutatorul de comandă a pompei este aprinsă, acesta arată că încălzirea este terminată. Apăsăți butonul de comandă al pompei în poziția „-” și faceți două căni de cafea (aproximativ 2Oz). Apoi închideți pompa și așteptați 5 secunde.

6. Apăsăți selectorul de cafea / abur în poziția „-”, indicatorul din comutatorul de comandă al pompei se va stinge, așteptând până când indicatorul din selectorul de cafea / abur este aprins. Faceți abur timp de 2 min rotind butonul de control al aburului, apoi rotiți butonul de control al aburului în poziția OFF pentru a opri producerea aburului. Apăsăți butonul de pornire / oprire în poziția „O” pentru a opri imediat unitatea, faceți decalificatoarele să depună în unitate cel puțin 15 minute.

7. Reporniți unitatea și repetați pașii de 4-6 de cel puțin 3 ori.

8. Apoi apăsați selectorul de cafea / abur în poziția „O”, lampa din comutatorul de comandă a pompei va fi aprinsă, apoi apăsați întrerupătorul de comandă al pompei în poziția „-” pentru a obține până când nu mai rămâne nici un decalor.

9. Apoi, preparați cafeaua (fără pudră de cafea) cu apă de la robinet la nivelul MAX, repetați pașii de 4-6 de 3 ori (este inutil să așteptați 15 minute la pasul 6), apoi preparați până nu mai rămâne apă în rezervor.

10. Repetați pasul de 9 de cel puțin 3 ori pentru a vă asigura că conducta este curată.

CONDITII DE DEPOZITARE

Produsul este recomandat să fie depozitat în condiții de depozit sau de acasă și să fie transportat de orice tip de transport public închis într-un ambalaj individual disponibil pentru consumatori. Locul de depozitare (transportul) nu trebuie să fie expus la umiditate, la lumina directă a soarelui și ar trebui să excludă posibilitatea deteriorării mecanice. Dacă aparatul nu este utilizat mult timp, acesta trebuie protejat împotriva prafului și depozitat într-un loc curat și uscat.

DEPANARE

Simptom	Cauza	Corectarea
Piese metalice din rezervor au rugină.	Descărcătorul nu este recomandat. Poate coroda piesele metalice din rezervor.	Folosiți decalorul recomandat de producător.
Scurgeri de apă din partea de jos a aparatului de cafea.	În tava de picurare este multă apă.	Vă rugăm să curățați tava de picurare.
	Producătorul de cafea este defect.	Vă rugăm să contactați centrul de service autorizat pentru reparații.
Scurgeri de apă din partea exterioară a filtrului.	Există niște pudră de cafea pe marginea filtrului.	Scapă de ei.
Gustul acid (oțet) există în cafeaua Espresso.	Nu curățați corect după curățarea depozitelor minerale.	Curățați aparatul de cafea după conținutul din „Înainte de prima utilizare” de mai multe ori.
	Pudra de cafea este păstrată într-un loc cald și umed pentru o perioadă lungă de timp. Pudra de cafea devine proastă.	Vă rugăm să folosiți praf de cafea proaspăt sau să păstrați praf de cafea neutilizat într-un loc răcoros și uscat. După deschiderea unui pachet de pudră de cafea, resiglați-l bine și păstrați-l într-un frigider pentru a-i menține prospețimea.
The coffee maker cannot work any more.	The power outlet is not plugged well.	Plug the power cord into a wall outlet correctly, if the appliance still does not work, please contact with the authorized service facility for repairing.
The steam cannot froth.	The steam ready indicator is not illuminated.	Only after the steam ready indicator is illuminated, the steam can be used to froth.
	The container is too big or the shape is not fit.	Use high and narrow cup.
	You have used skimmed milk	Use whole milk or half-skimmed milk

Nu scoateți singur aparatul dacă nu se găsește cauza defecțiunii, ați avut mai bine un centru de service autorizat.

Specificații:

Alimentare electrică: 850 W
Tensiune nominală: 220-240 V
Frecvență nominală: 50 Hz
Curent nominal: 3.8 A
Greutate netă: 2,80 kg
Greutate brută: 3,90 kg

A stabilit

AUTOMAT DE CAFEA	1
MANUAL DE INSTRUCȚIUNI	1
CARTE DE GARANȚIE	1
PACHET	1

**PROTECȚIA MEDIULUI AMBIENT.
RECICLAREA.**

Dvs puteți contribui la protejarea mediului înconjurător! Vă rugăm să respectați reglementările locale: predați produsele electrocasnice nefuncționale unui centru abilitat pentru reciclarea deșeurilor.

Producătorul își rezervă dreptul să modifice datele tehnice și designul produselor.