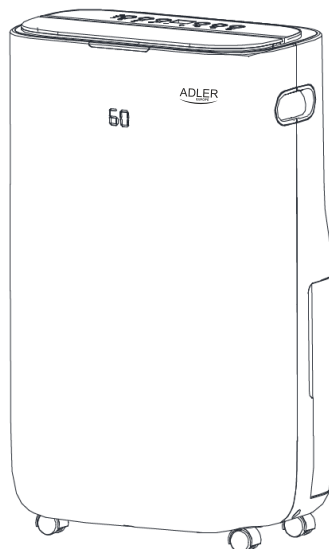


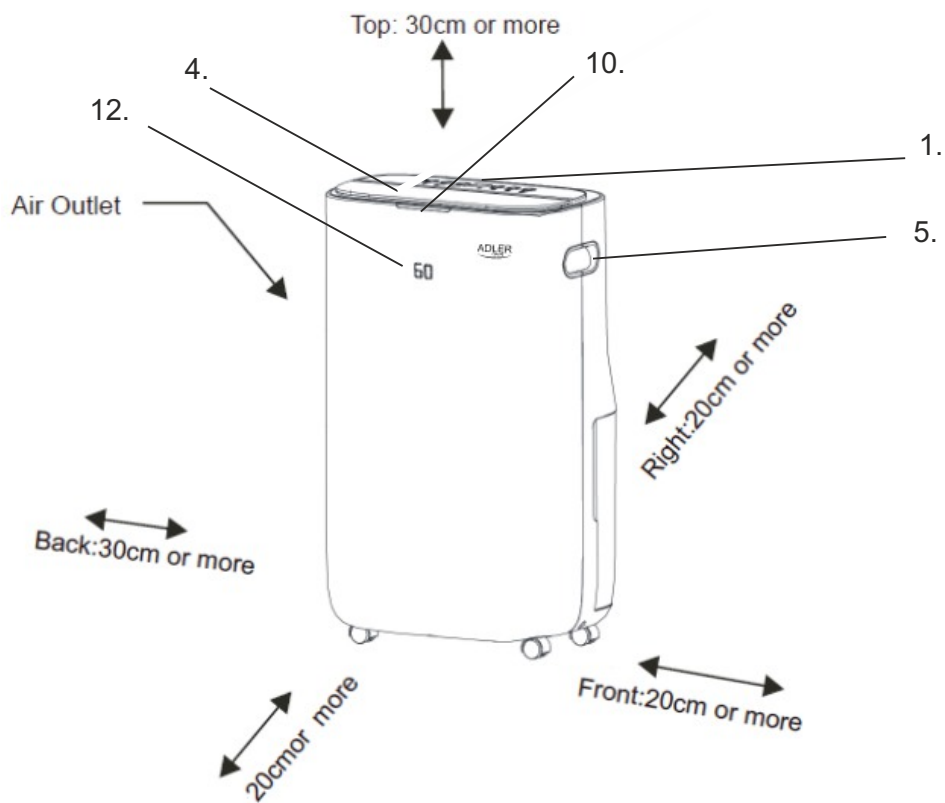
ADLER

EUROPE

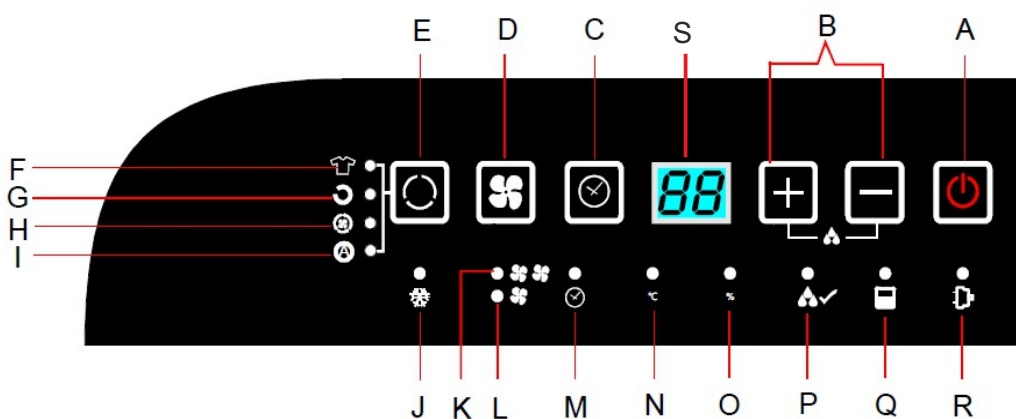


AD 7863

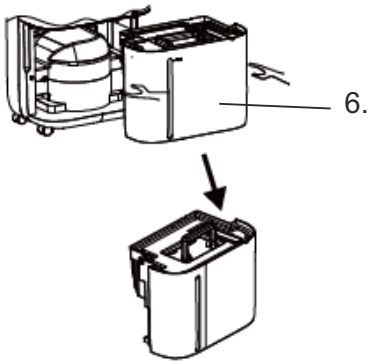
| | | | |
|---------------------------------|-----|--------------------------------|-----|
| (GB) user manual | 4 | (BIH) upute za rad | 55 |
| (D) bedienungsanweisung | 9 | (H) felhasználói kézikönyv | 61 |
| (F) mode d'emploi | 15 | (FIN) käyttöopas | 67 |
| (E) manual de uso | 21 | (NL) handleiding | 112 |
| (P) manual de serviço | 27 | (HR) upute za uporabu | 84 |
| (LT) naudojimo instrukcija | 33 | (RUS) инструкция обслуживания | 72 |
| (LV) lietošanas instrukcija | 39 | (SLO) navodila za uporabo | 90 |
| (EST) kasutusjuhend | 44 | (I) istruzioni per l'uso | 78 |
| (CZ) návod k obsluze | 95 | (DK) brugsanvisning | 101 |
| (RO) Instrucțiunea de deservire | 49 | (UA) інструкція з експлуатації | 129 |
| (GR) οδηγίες χρήσεως | 106 | (SR) korisничko uputstv | 118 |
| (SK) použivateľská príručka | 142 | (S) instruktionsbok | 124 |
| (MK) упатство за корисникот | 136 | (PL) instrukcja obsługi | 149 |
| (AR) تاعولعلا اولد | 155 | (BG) Инструкция за употреба | 161 |
| (AZ) Təlimat kitabçası | 168 | (ALB) manuali i perdoruesit | 174 |
| (KA) ინსტრუქცია | 180 | | |



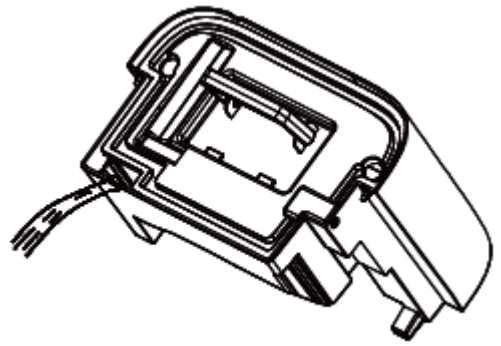
PICTURE 1



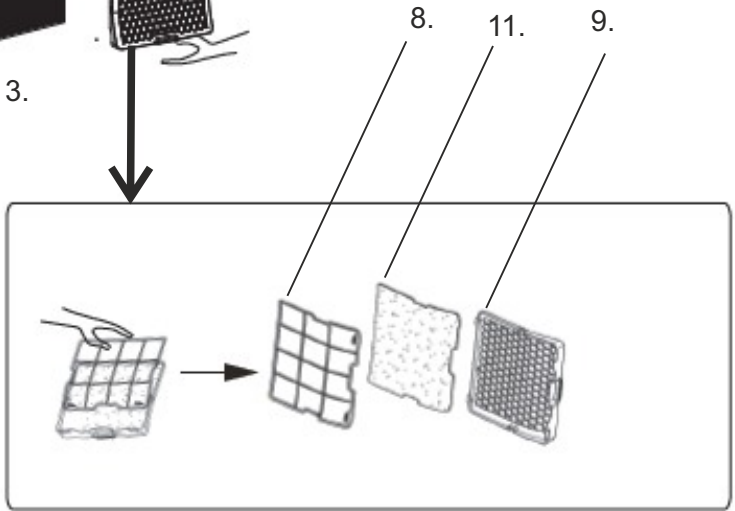
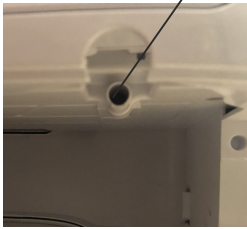
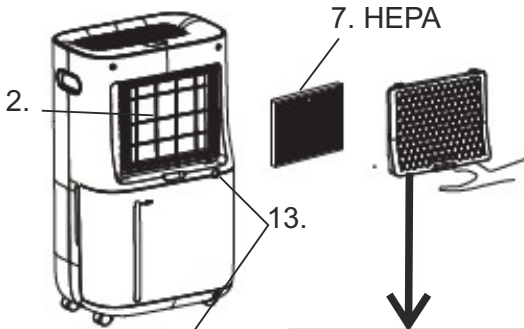
PICTURE 2



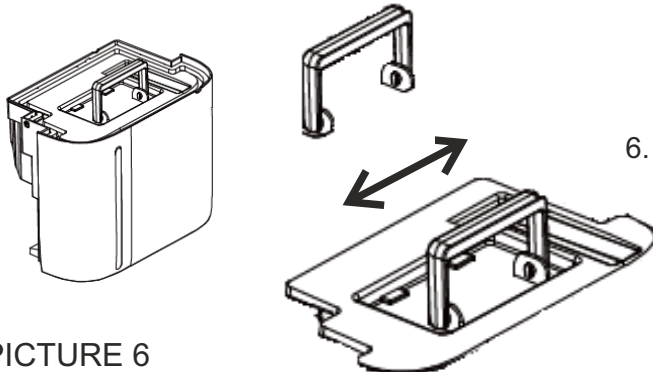
PICTURE 3



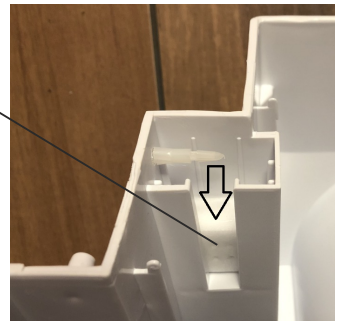
PICTURE 4



PICTURE 5



PICTURE 6



SAFETY CONDITIONS. IMPORTANT INSTRUCTIONS ON SAFETY OF USE
PLEASE READ CAREFULLY AND KEEP FOR FUTURE REFERENCE

1. Before using the device, read the operating manual and follow the instructions contained in it. The manufacturer is not liable for damages caused by using the device contrary to its intended purpose or improper operation.
2. The device is for home use only. Do not use for other purposes that are not for its intended purpose.
3. The device should only be connected to an AC outlet with a grounded 220 240V ~ 50Hz. To increase operational safety, multiple electrical devices should not be connected to one current circuit at the same time.
4. Use extreme caution when using the device when children are nearby. Do not allow children to play with the device, do not allow children or people unfamiliar with the device to use it.
5. **WARNING:** This equipment may be used by children over 8 years of age and people with limited physical, sensory or mental ability, or people who have no experience or knowledge of the equipment, if this is done under the supervision of a person responsible for their safety or have been granted them information on the safe use of the device and are aware of the dangers of using it. Children should not play with the equipment. Cleaning and maintenance of the device should not be performed by children, unless they are over 8 years old and these activities are carried out under supervision.
6. Always disconnect the power plug by holding the socket with your hand after use. **DO NOT** pull on the power cord.
7. Do not immerse the cable, plug and the whole device in water or any other liquid. Do not expose the device to atmospheric conditions (rain, sun, etc.) or use in conditions of high humidity (bathrooms, damp mobile homes).
8. Periodically check the condition of the power cord. If the power cord is damaged, it should be replaced by a specialist repair shop to avoid danger.
9. Do not use the appliance with a damaged power cord or if it has been dropped or damaged in any other way or if it is not working properly. Do not repair the device yourself, as there is a risk of electric shock. Take the damaged device to an appropriate service center for checking or repair. All repairs may only be carried out by authorized service points. Incorrectly performed repairs can cause serious danger for the user.
10. Place the device on a cool, stable surface, away from hot kitchen appliances such as: electric stove, gas burner, etc.
11. Make sure that nothing is blocking the air inlet and outlet of the device
12. Use the device only on a level surface to prevent the condensation from spilling out
13. To provide additional protection, it is advisable to install a residual current device

(RCD) in the electric circuit with a rated residual current not exceeding 30mA. Ask an electrician for this.

14. Clean the air filter regularly. The frequency of cleaning depends on the cleanliness of the air.
15. After turning off the machine, wait at least 5 minutes before turning it back on.
16. For effective dehumidification, a gap of at least 20 cm should be used between the side walls of the devices and the compressed furniture or curtains.
17. To avoid the risk of fire or explosion, do not spray the dryer
18. To use the housing parts, do not place the dehumidifier near heating devices.
19. Remove the water collected in the tank. Accidentally drinking water or using it with other people may cause illness.
20. Does not support devices with the back cover removed due to moving and hot parts.
21. Do not use any means to carry out the thawing or operating process other than those recommended by the manufacturer.
22. The device should be available as part of a permanent list of ignition sources, i.e. without open flame, without a working gas device or without a working device heater.
23. Do not pierce or smoke.
24. Please note that refrigeration manufacturers may not contain fragrance.

Before first use:

1. The dehumidifier must be used on a level and stable surface, keep distances between unit and other objects according to picture 1 to ensure suitable efficiency. Close all windows and doors of room you want to dehumidify the air.
2. To prevent the water from freezing, do not use the dehumidifier and the drain hose at ambient temperature below 0°C
3. Do not use the dehumidifier outside. Exposure to direct sunlight or rain may result in overheating, electric shock and fire.
4. Do not put water tank on the dehumidifier to avoid any spill of water into the unit inside and deteriorates the insulation.
5. Never attempt to use the dehumidifier for special uses, such as food dehumidification or preservation of art objects, or the like.
6. Do not use the dehumidifier where any leakage of oil or flammable gas may take place. Do not use the unit in places subject to chemicals.
7. For continuous draining, make sure that the drain hose is set properly with slope.
8. Be careful that a heating appliance is not exposed to the wind from the dehumidifier.
9. Do not use the dehumidifier as a chair or a footstool.
10. Do not remove the float lever from the water tank.
11. Do not block up the air intakes and the air outlets.
12. Do not cover the unit with washed clothes.

Product description: AD7863 2in1 Air dehumidifier & Air purifier

- | | |
|---|---------------------------------|
| 1. Control panel | 2. Air inlet |
| 3. Water tank 6,5L | 4. Air outlet |
| 5. Handle | 6. Floater |
| 7. HEPA air filter | 8. Washable mesh air pre-filter |
| 9. Filter's housing | 10. Humidity indicator light |
| 11. Activated carbon filter | 12. Front digital display |
| 13. Hole for pipe to continuous water drain | |

Control panel (1):

- | | |
|------------------------------------|-----------------------------------|
| A. Power switch | B. Plus and minus buttons |
| C. Timer 0-24 hours button | D. Fan speed button |
| E. Mode button | F. Dry clothes mode indicator |
| G. Normal operation mode indicator | H. Air circulation mode indicator |

- | | |
|---|-----------------------------------|
| I. Automatic mode indicator | J. Device self-defrost indication |
| K. Fan high speed indicator | L. Fan low speed indicator |
| M. Timer indicator | N. Temperature indicator |
| O. Humidity indicator | P. Target humidity indicator |
| Q. Full water tank indicator | R. Power indicator |
| S. LED digital display of humidity and timer and room temperature | |

CONDITIONS OF USE

This dehumidifier is not suitable for keeping the humidity very low approximately 50% or less.

This dehumidifier is designed to remove uncomfortable humidity in daily life and to use for auxiliary drying of washed clothes indoors. This is not suitable for keeping the humidity very low.

It is normal the device produces heat during the operation and room temperature rises by 1C to 4C, because this device does not have cooling function. The temperature gets higher while it is operated in a closet or the like. Furthermore, room temperature rises because doors and windows are closed and heat is produced from other appliances in the room and the sun radiation. This dehumidifier can't be applicable to keep extreme low temperature. The function of this dehumidifier is to pump off the unpleasant, high humidity.

DEVICE SELF-DEFROSTING FUNCTION

When the frost builds up on the evaporator coils inside the device, the automatic defrost function will be started. The compressor will turn off and the fan will continue to run until the frost is removed. When the device is running in a room temperature between 5 degree of Celsius and 12 degree of Celsius, it will stop to defrost for about 3 minutes every 8 minutes. When the device is running in a room temperature between 12 degree of Celsius and 18 degree of Celsius, it will stop to defrost for about 5 minutes every 25 minutes. When the device is running in a room temperature between 18 degree of Celsius and 23 degree of Celsius it will stop to defrost for about 5 minutes every 120 minutes. Wait 3 minutes before resuming operation. After the compressor has stopped, it cannot restart operation until 3 minutes has passed. The indicator (J) on the control panel (1) is lighted up all the time the self-defrosting is active.

IMPORTANT !

Both the dehumidifying function and the air cleaning function stop during the defrosting operation.

Do not disconnect the plug of the device or turn off the device during the defrosting.

Dehumidifying capacity

1. The daily dehumidifying capacity of the dehumidifier depends on room temperature and relative humidity. At different temperatures and relative humidity, it may have different dehumidifying capacity.
2. In the same room temperature, the dehumidifying capacity is higher in higher relative humidity and the dehumidifying capacity is lower in lower relative humidity. In the same relative humidity, the dehumidifying capacity is higher in higher temperature and the dehumidifying capacity is lower in lower temperature.
3. If the dehumidifier is placed in the cabinet, its dehumidifying capacity may highly reduce in a short period after operating due to the humidity in the cabinet has been highly reduced.
4. For 30°C / 27°C of room temperature and 80% / 60% of relative humidity the dehumidifying capacity is respectively around 25 /13 liters of water when the air outlet is fully open.

Air purification system - 3-stages filtration

System is designed to remove pollutant particles and an odors in the air. The device includes following filters:

1. Washable mesh air pre-filter (8): use to filtrate dust and hair in the air.
2. Activated carbon filter: remove an odor caused by e.g. cigarette, pet, etc..
3. HEPA filter H13: It filtrates dust, pollutant particles and refreshing an air. The HEPA H13 filter effectively retains 99.95% of pollutant particles of size up to 0,3 microns in the flowing air. HEPA H13 filter is suitable for air purification for allergy sufferers.

Operation

1. Please place the device upright to avoid miss operation and unusual sound. Keep distances between other objects like shown at picture 1.
2. HEPA filter (7) is packed in polybags, please do remove the polybag before using.
3. Open the black lid on the top of device to let the air come out easy.
4. Plug in the device, the power switch (A) is blinking on the control panel (1), press it to turn on the device. The digital display (S) will show present humidity level in room. At the same time the humidity indicator light (10) will lighted up on the front-top edge of the device.

During operation, the humidity indication light shows current humidity level in room:

- Blue color means low humidity below 50% relative humidity

- Green color means medium humidity in range 51% - 69% relative humidity
- Red color means high humidity over 70% relative humidity

Please note, the relative humidity value has got 3% tolerance when illuminates up the corresponding indication light.

5. Press mode button (E) in cycle to choose desired operation mode between:

- Dry clothes mode – press the mode button (E) once, the indicator (F) will be lighted up. To get fast function fulfilling, the compressor is working continuous without stop, except the case the water tank (3) is full. The fan keeps in high speed all the time.
- Normal operation mode – press the mode button (E) again, the indicator (G) will be lighted up. Under normal operation, compressor work. User can set target humidity level by pressing plus and minus buttons (3). Set humidity range is: 30%-80% with 5% step. When target humidity reaches, the compressor stop working. The fan can be set on both: high and low speed according to your need. To choice the fan speed between low and high, press the button (D), corresponding indicator (K) for high speed and (L) for low speed will be lighted up.
- Air circulation mode – press the mode button (E) again, the indicator (H) will be lighted up. In this mode the compressor is not working, there is fan operation only. You can adjust the speed of fan between: low and high speed to your needs.
- Automatic mode — press the mode button (E) again, the indicator (I) will be lighted up. Under this mode, the default target humidity is 55%. When room humidity reaches 55%, the compressor stop working, fan keeps working only. When the room humidity is higher than 55%, the compressor start to work again.

In the case of the electricity cut the device has memory function and it can remember the last set up.

Continuous drainage function

1. If you need to dehumidify the air for a long time, you can use the continuous drainage function.
2. Prior to continuous operation for a long duration, periodical checking is required especially for the air clean filter, the drain pipe, or the like.
3. Take away the water tank (3) from original position, insert the attached the pipe on the hole for continuous water drain (13) shown on picture 5.
4. When you set target humidity under normal dehumidification mode, you can set: 30-35-40-45-50-55-60-65-70-75-80%-CO-30% and so on. "CO" means continuous dehumidifying mode. In this mode the fan speed can be chose between low speed or high speed.
5. After ending the continuous dehumidifying, disassemble the pipe, position the water tank (3) in its original place and switch off the device.

Drain hose: length: 30 cm, internal diameter: 17 mm, external diameter: 19 mm.

Timer operation - Delay Stop function

To setting the Timer OFF function - DELAY STOP use the timer button (C).

The timer off function can be set when the device operates. Press the Timer button (C), the timer indication (M) will lighted up. The LED digital display (S) lights up and "00" appears, you should press the plus or minus buttons (B) to select the desired time for the device to switch off. After the timer is set, the time will be displayed for 5 seconds and remember. Once timer is set, to check with left time press the timer button (C). The device will switch off automatically after set up time pass. To reset the timer function is need to continuous pressing the timer button (C) while time value is flashing, the time value will be changed to zero. The timer range is from 1 to 24 hours with a 1-hour interval.

Room temperature checking

In order to check with present room temperature, press the Plus button for few seconds, when the value will be displayed on LED digital display (S), at same time the temperature indicator (N) will be displayed.

Room humidity checking

In order to check with present room humidity, look at value shown by LED digital display (S) or look at value shown by the front digital display (12), at same time the humidity indicator (O) will be lighted up on the control panel (1). When the present room humidity reached the set relative humidity the target humidity indicator (P) will be lighted up.

Press the power switch (A) again to turn off the device, the device stops running, just the power indicator (R) will flashing to inform the device is under standby status. When the device is turned on. The power indicator (R) glows.

Emptying the water tank

1. If the water tank (3) is full or the water tank (3) isn't installed in correct position, the full water tank indication (Q) lights up at control panel (1), the buzzer sounds. The device will stop operation automatically.
2. When the full water tank indicator light (Q) is flashing, the device stops operation until the water tank is empty or set in the correct position.
3. To remove the water tank (3) please do draw the water tank gently toward you by holding the concave parts of the water tank. Look at picture 3.
4. To empty the water tank (3), use a handle to carry it, then tilt it as shown at picture 4 and drain the water slowly. Then, you should

lay the handle flat before gently pushing the tank (3) back to its previous position inside the housing.

5. From time to time the water tank (6) needs to clean it inside. To open the water tank (3), adjust the position of water tank's handle to shape of holes in two plastic parts the handle is assembled to and expand both edges of the handle gently to disassemble the handle completely away. Now you can open the water tank's lid and clean the water tank by water with dish soap and soft cloth. Do not dismantle or lift the floater (6) from the water tank (3). Look at picture

Buzzer

It sounds for 20 seconds when the water tank (3) is taken out during operation.

Cleaning and Maintenance

1. Turn off the device and disconnect the power plug before starting any cleaning or other routine maintenance.
2. To avoid the risk of electric shock, never sprinkle or spill water on the dehumidifier when cleaning.
3. Turn off the device and empty the water out of the water tank before moving the device. Be sure to hold the handle while moving.
4. Wipe up the housing of device with wet and soft cloth.
5. Don't dismantle the floater (6) from the water tank (3).
6. Prior to planned continuous operation for a long duration, periodical checking is required especially for the mesh air filter (8), activated carbon filter (11) and the drain pipe (13), or the like.
7. To clean or replace the filters:
 - disconnect the plug and take out the water tank (3)
 - remove the filter housing (9) as shown in figure 5
 - remove the mesh air filter (8) from the housing and gently remove the activated carbon filter (11)
 - pull out HEPA filter (7) from device
 - every two weeks, clean all three filters with a vacuum cleaner or lightly pat them to shake them out. Dehumidification performance may decrease if the filters are clogged with dirt
 - put the filters back and assemble the filter housing (9) again.If filters are fouled seriously, wash in water including neutral detergent, rinse well with water and leave until dry.
8. Don't clean the device with gasoline, thinner or liquid detergent.
9. Before longer storage: bundle the power cord, empty water tank and wipe it by soft cloth, clean and dry all filters. Stand the device upright position to avoid malfunction or abnormal sound in future, avoid the exposure to the direct sunlight.

Trouble – shooting : check with below list before contact the seller:

1. Problem: no operation

Checking point 1: see if the power plug is disconnected.

Solution 1: insert the plug into an electric outlet fully and securely

Checking point 2: see if the water tank is full of water

Solution 2: Empty the water out of the tank.

Checking point 3: see if the water tank is not set properly in position.

Solution 3: Set the tank to the device properly in position

Checking point 4: see if the top lid made from black plastic of air outlet is closed

Solution 4: open top lid

2. Problem: dehumidifier capacity is small

Checking point 1: see if the filters are dirty

Solution 1: Clean the filters as specified in chapter Cleaning and Maintenance in point 7

Checking point 2: see if the air openings are blocked up

Solution 2: remove obstacles from the air openings

Checking point 3: see if the dehumidifier is in air circulation mode

Solution 3: Change the operation mode to the dehumidifying mode

3. Problem: loud sound while operating

Checking point 1: check if the device is installed correctly

Solution 1: Install the device on a level and stable floor

4. Problem: washed cloths are not dried

Checking point 1: see if washed clothes are not exposed to the air from the device

Solution 1: Try to expose the washed clothes to the air flow

Checking point 2: see if the room temperature is too low

Solution 2: Washed clothes are hard to be dried under low temperature conditions

The device works properly when the following phenomenon occurs:

1. Phenomenon description: Operation stops occasionally

Reason of phenomenon: The device is defrosting

2. Phenomenon description: Dehumidified volume is small

Reason of phenomenon: Dehumidifier volume less when the room temperature is low.

3. Phenomenon description: The humidity in a room is still high

Reason of phenomenon: The room size may be too large. The doors or the windows of the room may be opened and /or closed frequently. The dehumidifier is used close to a kerosene heater which emits vapor.

4. Phenomenon description: Bad smell during operation

Reason of phenomenon: Smell is emitted from the walls, furniture or other objects.

5. Phenomenon description: Sound is produced within the device

Reason of phenomenon: Circulation of the refrigerant may cause sound until it is stable.

6. Phenomenon description: Water is left in the water tank

Reason of phenomenon: The water is left because the device is subjected to dehumidifying test in the factory

7. Phenomenon description: The buzzer sounds

Reason of phenomenon: The buzzer sounds when the water tank is full of water.

CAUTION: Refrigerant agent can be filled by factory only.

TECHNICAL DATA:

Dehumidify capacity at 30°C / 80% RH): 25 liters / 24 hours

Dehumidify capacity at 27°C / 60% RH): 13 liters / 24 hours

Noise level: <= 48dB (A)

Water tank capacity: 6,5 liters

Air flow: 195 m³ / hour

R290 coolant weight: max. 65 grams

Ratted Input Power: 320W

Max. Ratted Input Power: 420W



Caution, risk of fire.

Do NOT pierce or burn.

Be aware that the refrigerant may not contain an odour.

The maximum refrigerant charge amount: 65g.



Please transfer cardboard packaging to waste paper. Pour the polyethylene bags (PE) into the plastic container

Worn device should be returned to the appropriate point storage because it is dangerous in the device

ingredients may pose a threat to the environment. The electrical device should be handed over to limit

its reuse and use. If in the device there are batteries you have to take out and give to the point stored separately.

DEUTSCH

ALLGEMEINE SICHERHEITSVORSCHRIFTEN WICHTIGE SICHERHEITSHINWEISE SORGFÄLTIG DURCHLESEN UND FÜR DIE ZUKUNFT AUFBEWAHREN

1. Lesen Sie vor dem Gebrauch des Geräts die Bedienungsanleitung und befolgen Sie die darin enthaltenen Anweisungen. Der Hersteller haftet nicht für Schäden, die durch nicht bestimmungsgemäßen Gebrauch oder unsachgemäßen Betrieb des Gerätes verursacht werden.
2. Das Gerät ist nur für den Heimgebrauch bestimmt. Verwenden Sie es nicht für andere Zwecke, die nicht für den vorgesehenen Zweck bestimmt sind.
3. Das Gerät darf nur an eine Netzsteckdose mit 220-240 V ~ 50 Hz angeschlossen werden. Um die Betriebssicherheit zu erhöhen, sollten nicht mehrere elektrische Geräte gleichzeitig an einen Stromkreis angeschlossen werden.
4. Seien Sie äußerst vorsichtig, wenn Sie das Gerät in der Nähe von Kindern verwenden. Erlauben Sie Kindern nicht, mit dem Gerät zu spielen. Erlauben Sie Kindern oder Personen, die mit dem Gerät nicht vertraut sind, nicht, es zu benutzen.
5. **WARNUNG:** Dieses Gerät darf von Kindern über 8 Jahren und Personen mit eingeschränkten körperlichen, sensorischen oder geistigen Fähigkeiten oder Personen ohne Erfahrung oder Kenntnis des Geräts verwendet werden, wenn dies unter Aufsicht einer verantwortlichen Person erfolgt zu ihrer Sicherheit oder ihnen wurden Informationen über den sicheren Gebrauch des Geräts erteilt, und sie sind sich der

- Gefahren bei der Verwendung des Geräts bewusst. Kinder sollten nicht mit dem Gerät spielen. Die Reinigung und Wartung des Geräts darf nur von Kindern durchgeführt werden, die älter als 8 Jahre sind und diese Tätigkeiten unter Aufsicht ausführen.
6. Ziehen Sie nach dem Gebrauch immer den Netzstecker, indem Sie die Steckdose mit der Hand festhalten. NICHT am Netzkabel ziehen.
 7. Tauchen Sie das Kabel, den Stecker und das gesamte Gerät nicht in Wasser oder andere Flüssigkeiten. Setzen Sie das Gerät keinen atmosphärischen Bedingungen aus (Regen, Sonne usw.) und verwenden Sie es nicht bei hoher Luftfeuchtigkeit (Badezimmer, feuchte Mobilheime).
 8. Überprüfen Sie regelmäßig den Zustand des Netzkabels. Wenn das Netzkabel beschädigt ist, sollte es von einer Fachwerkstatt ausgetauscht werden, um Gefahren zu vermeiden.
 9. Verwenden Sie das Gerät nicht mit einem beschädigten Netzkabel oder wenn es fallen gelassen oder auf andere Weise beschädigt wurde oder wenn es nicht richtig funktioniert. Reparieren Sie das Gerät nicht selbst, da die Gefahr eines Stromschlags besteht. Bringen Sie das beschädigte Gerät zur Überprüfung oder Reparatur zu einem geeigneten Servicecenter. Alle Reparaturen dürfen nur von autorisierten Servicestellen durchgeführt werden. Durch unsachgemäße Reparaturen können ernsthafte Gefahren für den Benutzer entstehen.
 10. Stellen Sie das Gerät auf eine kühle, stabile Oberfläche, entfernt von heißen Küchengeräten wie Elektroherd, Gasbrenner usw..
 11. Stellen Sie sicher, dass nichts den Lufteinlass und -auslass des Geräts blockiert
 12. Verwenden Sie das Gerät nur auf einer ebenen Fläche, damit kein Kondenswasser austreten kann
 13. Um einen zusätzlichen Schutz zu gewährleisten, wird empfohlen, im Stromkreis einen Fehlerstromschutzschalter (RCD) mit einem Bemessungsfehlerstrom von nicht mehr als 30 mA zu installieren. Bitten Sie einen Elektriker darum.
 14. Reinigen Sie den Luftfilter regelmäßig. Die Häufigkeit der Reinigung hängt von der Luftreinheit ab.
 15. Warten Sie nach dem Ausschalten des Geräts mindestens 5 Minuten, bevor Sie es wieder einschalten.
 16. Für eine effektive Entfeuchtung sollte ein Abstand von mindestens 20 cm zwischen den Seitenwänden der Geräte und den komprimierten Möbeln oder Vorhängen verwendet werden.
 17. Sprühen Sie den Trockner nicht ein, um Brand- oder Explosionsgefahr zu vermeiden
 18. Um die Gehäuseteile zu verwenden, platzieren Sie den Luftentfeuchter nicht in der Nähe von Heizgeräten.
 19. Entfernen Sie das im Tank gesammelte Wasser. Das versehentliche Trinken von Wasser oder die Verwendung mit anderen Personen kann zu Krankheiten führen.
 20. Unterstützt keine Geräte, bei denen die hintere Abdeckung aufgrund beweglicher

und heißer Teile entfernt wurde.

21. Verwenden Sie keine anderen Mittel als die vom Hersteller empfohlenen, um den Auftau- oder Betriebsprozess durchzuführen.

22. Das Gerät sollte als Teil einer permanenten Liste von Zündquellen verfügbar sein, d. H. Ohne offene Flamme, ohne Arbeitsgasgerät oder ohne Heizgerät für Arbeitsgeräte.

23. Nicht durchstechen oder rauchen.

24. Bitte beachten Sie, dass Kältehersteller möglicherweise keinen Duft enthalten.

Vor dem ersten Gebrauch:

1. Der Luftentfeuchter muss auf einer ebenen und stabilen Oberfläche verwendet werden. Halten Sie die Abstände zwischen dem Gerät und anderen Objekten gemäß Bild 1 ein, um eine angemessene Effizienz sicherzustellen. Schließen Sie alle Fenster und Türen des Raums, in dem Sie die Luft entfeuchten möchten.
2. Um ein Gefrieren des Wassers zu verhindern, verwenden Sie den Luftentfeuchter und den Ablaufschlauch nicht bei Umgebungstemperaturen unter 0 ° C.
3. Verwenden Sie den Luftentfeuchter nicht im Freien. Direkte Sonneneinstrahlung oder Regen können zu Überhitzung, Stromschlag und Feuer führen.
4. Stellen Sie keinen Wassertank auf den Luftentfeuchter, um zu verhindern, dass Wasser in das Gerät gelangt und die Isolierung beschädigt wird.
5. Versuchen Sie niemals, den Luftentfeuchter für spezielle Zwecke zu verwenden, z. B. zum Entfeuchten von Lebensmitteln oder zur Konservierung von Kunstgegenständen oder dergleichen.
6. Verwenden Sie den Luftentfeuchter nicht, wenn Öl oder brennbares Gas austreten kann. Verwenden Sie das Gerät nicht an Orten, die Chemikalien ausgesetzt sind.
7. Stellen Sie für eine kontinuierliche Entleerung sicher, dass der Ablaufschlauch richtig gereinigt ist.
8. Achten Sie darauf, dass ein Heizgerät nicht dem Wind des Luftentfeuchters ausgesetzt ist.
9. Verwenden Sie den Luftentfeuchter nicht als Stuhl oder Fußschemel.
10. Entfernen Sie den Schwimmerhebel nicht vom Wassertank.
11. Blockieren Sie nicht die Lufteinlässe und Luftauslässe.
12. Decken Sie das Gerät nicht mit gewaschener Kleidung ab.

Produktbeschreibung: AD7863 2in1 Luftentfeuchter und Luftreiniger

- | | |
|---|----------------------------------|
| 1. Bedienfeld | 2. Lufteinlass |
| 3. Wassertank 6,5L | 4. Luftauslass |
| 5. Griff | 6. Schwimmer |
| 7. HEPA- Luftfilter | 8. Waschbarer Mesh-Luftvorfilter |
| 9. Filtergehäuse | 10. Feuchtigkeitsanzeigeleuchte |
| 11. Aktivkohlefilter | 12. Digitalanzeige vorne |
| 13. Loch für Rohr zum kontinuierlichen Wasserablauf | |

Bedienfeld (1):

- | | |
|--|---|
| A. Netzschalter | B. Plus- und Minus-Tasten |
| C. Timer-Taste 0–24 Stunden | D. Lüftergeschwindigkeitstaste |
| E. Modustaste | F. Anzeige für den Modus „Wäsche trocknen“. |
| G. Anzeige für den normalen Betriebsmodus. | H. Anzeige für den Luftzirkulationsmodus |
| I. Anzeige des automatischen Modus | J. Anzeige der Selbstabtauung des Geräts |
| K. Anzeige für hohe Lüftergeschwindigkeit. | L. Anzeige für niedrige Lüftergeschwindigkeit |
| M. Timer-Anzeige | N. Temperaturanzeige |
| O. Luftfeuchtigkeitsanzeige | P. Zielfeuchtigkeitsanzeige |
| Q. Anzeige für vollen Wassertank. | R. Betriebsanzeige |
| S. LED-Digitalanzeige von Luftfeuchtigkeit, Timer und Raumtemperatur | |

NUTZUNGSBEDINGUNGEN

Dieser Luftentfeuchter ist nicht dazu geeignet, die Luftfeuchtigkeit sehr niedrig zu halten (ca. 50 % oder weniger) .

Dieser Luftentfeuchter wurde entwickelt, um unangenehme Feuchtigkeit im täglichen Leben zu entfernen und zum zusätzlichen Trocknen gewaschener Kleidung in Innenräumen zu verwenden . Um die Luftfeuchtigkeit sehr niedrig zu halten, ist dies nicht geeignet .

Es ist normal, dass das Gerät während des Betriebs Wärme erzeugt und die Raumtemperatur um 1 °C bis 4 °C ansteigt, da dieses Gerät keine Kühlfunktion hat. Beim Betrieb in einem Schrank oder Ähnlichem steigt die Temperatur. Darüber hinaus steigt die Raumtemperatur, weil Türen und Fenster geschlossen sind und Wärme durch andere Geräte im Raum und die Sonneneinstrahlung erzeugt wird. Dieser Luftentfeuchter eignet sich nicht zur Aufrechterhaltung extrem niedriger Temperaturen. Die Funktion dieses Luftentfeuchters besteht darin, die unangenehm hohe Luftfeuchtigkeit abzupumpen.

Selbstentfrosthfunktion des Geräts

Wenn sich auf den Verdampferschlangen im Inneren des Geräts Reif bildet, wird die automatische Abtaufunktion gestartet. Der Kompressor schaltet sich ab und der Ventilator läuft weiter, bis der Frost entfernt ist. Wenn das Gerät läuft bei einer Raumtemperatur zwischen 5 und 12 Grad Celsius stoppt das Auftauen alle 8 Minuten für etwa 3 Minuten. Wenn das Gerät bei einer Raumtemperatur zwischen 12 und 18 °C betrieben wird Grad Celsius und 18 Grad Celsius wird der Abtauvorgang für ca 5 Minuten alle 25 Minuten. Wenn das Gerät bei einer Raumtemperatur von 18 Grad Celsius betrieben wird und 23 Grad Celsius Der Auftauvorgang wird alle 120 Minuten für etwa 5 Minuten unterbrochen. Warten Sie 3 Minuten, bevor Sie den Betrieb wieder aufnehmen. Nachdem der Kompressor gestoppt wurde, kann er den Betrieb nicht wieder aufnehmen bis 3 Minuten vergangen sind. Die Anzeige (J) auf dem Bedienfeld (1) leuchtet ständig, solange die Selbstabtauung aktiv ist.

WICHTIG !

Sowohl die Entfeuchtungsfunktion als auch die Luftreinigungsfunktion stoppen während des Abtauvorgangs. Ziehen Sie während des Abtauens nicht den Stecker des Geräts und schalten Sie das Gerät nicht aus.

Entfeuchungskapazität

1. Die tägliche Entfeuchungskapazität des Luftentfeuchters hängt von der Raumtemperatur und der relativen Luftfeuchtigkeit ab. Bei unterschiedlichen Temperaturen und relativer Luftfeuchtigkeit kann die Entfeuchungsleistung unterschiedlich sein.
2. Bei gleicher Raumtemperatur ist die Entfeuchungsleistung bei höherer relativer Luftfeuchtigkeit höher und bei niedrigerer relativer Luftfeuchtigkeit geringer. Bei gleicher relativer Luftfeuchtigkeit ist die Entfeuchungsleistung bei höheren Temperaturen höher und bei niedrigeren Temperaturen geringer.
3. Wenn der Luftentfeuchter im Schrank aufgestellt wird, kann seine Entfeuchungskapazität kurz nach dem Betrieb aufgrund der stark verringerten Luftfeuchtigkeit im Schrank stark nachlassen.
4. Bei 30 °C / 27 °C Raumtemperatur und 80 % / 60 % relativer Luftfeuchtigkeit beträgt die Entfeuchungsleistung jeweils etwa 25 bzw. 13 Liter Wasser, wenn der Luftauslass vollständig geöffnet ist.

Luftreinigungssystem – 3-stufige Filterung

Das System dient dazu, Schadstoffpartikel und Gerüche aus der Luft zu entfernen. Das Gerät verfügt über folgende Filter:

1. Waschbarer Mesh-Luftvorfilter (8): Zum Filtern von Staub und Haaren in der Luft.
2. Aktivkohlefilter: Entfernen Sie Gerüche, die beispielsweise durch Zigaretten, Haustiere usw. verursacht werden.
3. HEPA-Filter H13: Er filtert Staub, Schadstoffpartikel und erfrischt die Luft. Der HEPA H13-Filter hält effektiv 99,95 % der Schadstoffpartikel mit einer Größe von bis zu 0,3 Mikrometern in der strömenden Luft zurück. Der HEPA H13-Filter ist zur Luftreinigung für Allergiker geeignet.

Betrieb

1. Bitte stellen Sie das Gerät aufrecht auf, um Fehlbedienungen und ungewöhnliche Geräusche zu vermeiden. Halten Sie Abstände zwischen anderen Objekten ein, wie in Bild 1 gezeigt.
2. Der HEPA-Filter (7) ist in Polybeuteln verpackt. Bitte entfernen Sie den Polybeutel vor der Verwendung.
3. Öffnen Sie den schwarzen Deckel oben am Gerät, damit die Luft leichter entweichen kann.
4. Schließen Sie das Gerät an, der Netzschalter (A) blinkt auf dem Bedienfeld (1), drücken Sie ihn, um das Gerät einzuschalten. Die Digitalanzeige (S) zeigt die aktuelle Luftfeuchtigkeit im Raum an. Gleichzeitig leuchtet die Luftfeuchtigkeitsanzeigeleuchte (10) an der vorderen Oberkante des Geräts auf.

Während des Betriebs zeigt die Luftfeuchtigkeitsanzeigeleuchte die aktuelle Luftfeuchtigkeit im Raum an:

- Blaue Farbe bedeutet niedrige Luftfeuchtigkeit unter 50 % relative Luftfeuchtigkeit
- Grüne Farbe bedeutet mittlere Luftfeuchtigkeit im Bereich von 51 % bis 69 % relativer Luftfeuchtigkeit
- Rote Farbe bedeutet hohe Luftfeuchtigkeit über 70 % relative Luftfeuchtigkeit

Bitte beachten Sie, dass der Wert der relativen Luftfeuchtigkeit eine Toleranz von 3 % hat, wenn die entsprechende Anzeigeleuchte aufleuchtet.

5. Drücken Sie die Modustaste (E) im Zyklus, um den gewünschten Betriebsmodus auszuwählen:

- Modus „Wäsche trocknen“ – Drücken Sie einmal die Modustaste (E), die Anzeige (F) leuchtet auf. Um eine schnelle Funktionserfüllung zu gewährleisten, arbeitet der Kompressor kontinuierlich ohne Unterbrechung, es sei denn, der Wassertank (3) ist voll. Der Lüfter läuft ständig auf hoher Geschwindigkeit.
- Normaler Betriebsmodus – drücken Sie die Modustaste (E) erneut, die Anzeige (G) leuchtet auf. Im Normalbetrieb arbeitet der Kompressor. Der Benutzer kann die Zielfeuchtigkeit durch Drücken der Plus- und Minus-Tasten (3) einstellen. Der eingestellte Feuchtigkeitsbereich beträgt: 30 %–80 % in 5 %-Schritten. Wenn die Zielfeuchtigkeit erreicht ist, hört der Kompressor auf zu

arbeiten. Der Lüfter kann je nach Bedarf auf hohe und niedrige Geschwindigkeit eingestellt werden. Um die Lüftergeschwindigkeit zwischen niedrig und hoch zu wählen, drücken Sie die Taste (D). Die entsprechende Anzeige (K) für hohe Geschwindigkeit und (L) für niedrige Geschwindigkeit leuchtet auf.

- Luftzirkulationsmodus – drücken Sie die Modustaste (E) erneut, die Anzeige (H) leuchtet auf. In diesem Modus arbeitet der Kompressor nicht, es erfolgt nur der Lüfterbetrieb. Sie können die Geschwindigkeit des Lüfters je nach Bedarf zwischen niedriger und hoher Geschwindigkeit einstellen.

- Automatikmodus — Drücken Sie die Modustaste (E) erneut, die Anzeige (I) leuchtet auf. In diesem Modus beträgt die Standardzielfeuchtigkeit 55 %. Wenn die Raumfeuchtigkeit 55 % erreicht, hört der Kompressor auf zu arbeiten, der Lüfter läuft nur weiter. Wenn die Raumfeuchtigkeit höher als 55 % ist, beginnt der Kompressor wieder zu arbeiten.

Im Falle eines Stromausfalls verfügt das Gerät über eine Speicherfunktion und kann sich an die letzte Einstellung erinnern.

Kontinuierliche Entwässerungsfunktion

1. Wenn Sie die Luft über einen längeren Zeitraum entfeuchten müssen, können Sie die kontinuierliche Entwässerungsfunktion nutzen.

2. Vor einem Dauerbetrieb über einen längeren Zeitraum ist eine regelmäßige Überprüfung insbesondere des Luftreinigungsfilters, des Abflussrohrs usw. erforderlich.

3. Nehmen Sie den Wassertank (3) aus der ursprünglichen Position und stecken Sie das angebrachte Rohr in das Loch für den kontinuierlichen Wasserablauf (13).

siehe Bild 5.

4. Wenn Sie im normalen Entfeuchtungsmodus die Zielfeuchtigkeit einstellen, können Sie Folgendes einstellen: 30-35-40-45-50-55-60-65-70-75-80 %-CO-30 % und so weiter. „CO“ bedeutet kontinuierlicher Entfeuchtungsmodus. In diesem Modus kann die Lüftergeschwindigkeit zwischen niedriger und hoher Geschwindigkeit gewählt werden.

5. Nach Beendigung der Dauarentfeuchtung das Rohr demontieren, den Wassertank (3) an seinem ursprünglichen Platz positionieren und das Gerät ausschalten.

Ablaufschlauch: Länge: 30 cm, Innendurchmesser: 17 mm, Außendurchmesser: 19 mm.

Timerbetrieb – Verzögerungsstoppfunktion

Um die Timer-AUS-Funktion – VERZÖGERUNG STOPP einzustellen, verwenden Sie die Timer-Taste (C).

Die Timer-Aus-Funktion kann eingestellt werden, wenn das Gerät in Betrieb ist. Drücken Sie die Timer-Taste (C), die Timer-Anzeige (M) leuchtet auf. Die LED-Digitalanzeige (S) leuchtet auf und „00“ erscheint, Sie sollten die Plus- oder Minus-Taste (B) drücken, um die gewünschte Zeit für das Ausschalten des Geräts auszuwählen. Nachdem der Timer eingestellt wurde, wird die Zeit 5 Sekunden lang angezeigt und gespeichert. Sobald der Timer eingestellt ist, drücken Sie die Timer-Taste (C), um die verbleibende Zeit zu überprüfen. Nach Ablauf der eingestellten Zeit schaltet sich das Gerät automatisch aus. Um die Timer-Funktion zurückzusetzen, müssen Sie die Timer-Taste (C) kontinuierlich drücken, während der Zeitwert blinkt. Der Zeitwert wird auf Null geändert. Der Timerbereich reicht von 1 bis 24 Stunden mit einem 1-Stunden-Intervall.

Überprüfung der Raumtemperatur

Um die aktuelle Raumtemperatur zu überprüfen, drücken Sie einige Sekunden lang die Plus-Taste. Anschließend wird der Wert auf der LED-Digitalanzeige (S) angezeigt. Gleichzeitig wird die Temperaturanzeige (N) angezeigt.

Überprüfung der Raumfeuchtigkeit

Um die aktuelle Raumfeuchtigkeit zu überprüfen, sehen Sie sich den Wert an, der auf der LED-Digitalanzeige (S) angezeigt wird, oder sehen Sie sich den Wert an, der auf der vorderen Digitalanzeige (12) angezeigt wird. Gleichzeitig leuchtet die Feuchtigkeitsanzeige (O) auf der Steuerung auf Platte (1). Wenn die aktuelle Raumfeuchtigkeit die eingestellte relative Luftfeuchtigkeit erreicht, leuchtet die Zielfeuchtigkeitsanzeige (P) auf.

Drücken Sie den Netzschalter (A) erneut, um das Gerät auszuschalten. Das Gerät hört auf zu laufen, nur die Betriebsanzeige (R) blinkt, um anzuzeigen, dass sich das Gerät im Standby-Status befindet. Wenn das Gerät eingeschaltet ist. Die Betriebsanzeige (R) leuchtet.

Entleeren des Wassertanks

1. Wenn der Wassertank (3) voll ist oder der Wassertank (3) nicht in der richtigen Position installiert ist, leuchtet die Anzeige für vollen Wassertank (Q) am Bedienfeld (1) auf und der Summer ertönt. Das Gerät stoppt den Betrieb automatisch.

2. Wenn die Anzeigeleuchte für den vollen Wassertank (Q) blinkt, stoppt das Gerät den Betrieb, bis der Wassertank leer ist oder sich in der richtigen Position befindet.

3. Um den Wassertank (3) zu entfernen, ziehen Sie ihn bitte vorsichtig zu sich heran, indem Sie ihn an den konkaven Teilen des Wassertanks festhalten. Schauen Sie sich Bild 3 an.

4. Um den Wassertank (3) zu entleeren, tragen Sie ihn an einem Griff, kippen Sie ihn dann wie in Bild 4 gezeigt und lassen Sie das Wasser langsam ablaufen. Legen Sie dann den Griff flach hin, bevor Sie den Tank (3) vorsichtig in seine vorherige Position im

Gehäuse zurückschieben.

5. Von Zeit zu Zeit muss der Wassertank (6) innen gereinigt werden. Um den Wassertank (3) zu öffnen, passen Sie die Position des Griffs des Wassertanks an die Form der Löcher in zwei Kunststoffteilen an, an denen der Griff montiert ist, und spreizen Sie beide Kanten des Griffs vorsichtig, um den Griff vollständig zu demontieren. Jetzt können Sie den Deckel des Wassertanks öffnen und den Wassertank mit Wasser, Spülmittel und einem weichen Tuch reinigen. Demontieren oder heben Sie den Schwimmer (6) nicht vom Wassertank (3). Schauen Sie auf das Bild

Summer

Es ertönt 20 Sekunden lang, wenn der Wassertank (3) während des Betriebs entnommen wird.

Reinigung und Instandhaltung

1. Schalten Sie das Gerät aus und ziehen Sie den Netzstecker, bevor Sie mit der Reinigung oder anderen routinemäßigen Wartungsarbeiten beginnen.

2. Um die Gefahr eines Stromschlags zu vermeiden, streuen oder verschütten Sie beim Reinigen niemals Wasser auf den Luftentfeuchter.

3. Schalten Sie das Gerät aus und leeren Sie das Wasser aus dem Wassertank, bevor Sie das Gerät bewegen. Halten Sie beim Bewegen unbedingt den Griff fest. 4. Wischen Sie das Gehäuse des Geräts mit einem feuchten, weichen Tuch ab.

5. Demontieren Sie den Schwimmer (6) nicht vom Wassertank (3).

6. Vor einem geplanten Dauerbetrieb über einen längeren Zeitraum ist eine regelmäßige Überprüfung insbesondere des Luftfilters (8), des Aktivkohlefilters (11) und des Abflussrohrs (13) o.ä. erforderlich.

7. So reinigen oder ersetzen Sie die Filter:

- Ziehen Sie den Stecker ab und nehmen Sie den Wassertank (3) heraus.

- Entfernen Sie das Filtergehäuse (9), wie in Abbildung 5 gezeigt

- Nehmen Sie den Mesh-Luftfilter (8) aus dem Gehäuse und entfernen Sie vorsichtig den Aktivkohlefilter (11).

- HEPA-Filter (7) aus dem Gerät herausziehen

- Reinigen Sie alle drei Filter alle zwei Wochen mit einem Staubsauger oder tupfen Sie sie leicht ab, um sie auszuschütteln. Wenn die Filter durch Schmutz verstopft sind, kann die Entfeuchtungsleistung nachlassen

- Setzen Sie die Filter wieder ein und montieren Sie das Filtergehäuse (9) wieder.

Wenn die Filter stark verschmutzt sind, waschen Sie sie in Wasser mit neutralem Reinigungsmittel, spülen Sie sie gut mit Wasser ab und lassen Sie sie trocknen.

8. Reinigen Sie das Gerät nicht mit Benzin, Verdünnern oder flüssigem Reinigungsmittel.

9. Vor längerer Lagerung: Bündeln Sie das Netzkabel, leeren Sie den Wassertank und wischen Sie ihn mit einem weichen Tuch ab, reinigen und trocknen Sie alle Filter. Stellen Sie das Gerät aufrecht auf, um Fehlfunktionen oder ungewöhnliche Geräusche in Zukunft zu vermeiden. Vermeiden Sie direkte Sonneneinstrahlung.

Fehlerbehebung: Überprüfen Sie die folgende Liste, bevor Sie den Verkäufer kontaktieren:

1. Problem: keine Funktion

Prüfpunkt 1: Prüfen Sie, ob der Netzstecker gezogen ist.

Lösung 1: Stecken Sie den Stecker vollständig und sicher in eine Steckdose

Kontrollpunkt 2: Überprüfen Sie, ob der Wassertank mit Wasser gefüllt ist

Lösung 2: Entleeren Sie das Wasser aus dem Tank .

Kontrollpunkt 3: Überprüfen Sie, ob der Wassertank nicht richtig positioniert ist .

Lösung 3: Bringen Sie den Tank richtig zum Gerät

Prüfpunkt 4: Prüfen Sie, ob der obere Deckel aus schwarzem Kunststoff des Luftauslasses geschlossen ist

Lösung 4: Oberen Deckel öffnen

2. Problem: Die Kapazität des Luftentfeuchters ist gering

Prüfpunkt 1: Prüfen Sie, ob die Filter verschmutzt sind

Lösung 1: Reinigen Sie die Filter wie im Kapitel Reinigung und Wartung in Punkt 7 beschrieben

Prüfpunkt 2: Prüfen Sie, ob die Luftöffnungen verstopft sind

Lösung 2: Hindernisse aus den Luftöffnungen entfernen

Prüfpunkt 3: Prüfen Sie, ob sich der Luftentfeuchter im Umluftmodus befindet

Lösung 3: Ändern Sie den Betriebsmodus in den Entfeuchtungsmodus

3. Problem: Lauter Ton während des Betriebs

Prüfpunkt 1: Überprüfen Sie, ob das Gerät korrekt installiert ist

Lösung 1: Stellen Sie das Gerät auf einen ebenen und stabilen Boden

4. Problem: Gewaschene Tücher werden nicht getrocknet

Prüfpunkt 1: Prüfen Sie, ob die gewaschene Kleidung nicht der Luft des Geräts ausgesetzt ist

Lösung 1: Versuchen Sie, die gewaschene Wäsche dem Luftstrom auszusetzen

Prüfpunkt 2: Prüfen Sie, ob die Raumtemperatur zu niedrig ist

Lösung 2: Gewaschene Kleidung lässt sich bei niedrigen Temperaturen nur schwer trocknen

Das Gerät funktioniert ordnungsgemäß, wenn das folgende Phänomen auftritt:

1. Phänomenbeschreibung: Der Betrieb stoppt gelegentlich

Ursache des Phänomens: Das Gerät taut ab

2. Phänomenbeschreibung: Das entfeuchtete Volumen ist klein

Ursache des Phänomens: Die Lautstärke des Luftentfeuchters ist geringer, wenn die Raumtemperatur niedrig ist.

3. Phänomenbeschreibung: Die Luftfeuchtigkeit in einem Raum ist immer noch hoch

Ursache des Phänomens: Der Raum ist möglicherweise zu groß. Die Türen oder Fenster des Raumes können geöffnet und / oder geschlossen werden

häufig. Der Luftentfeuchter wird in der Nähe einer Petroleumheizung verwendet, die Dampf abgibt.

4. Phänomenbeschreibung: Schlechter Geruch während des Betriebs

Ursache des Phänomens: Von Wänden, Möbeln oder anderen Gegenständen wird ein Geruch abgegeben.

5. Phänomenbeschreibung: Der Ton wird im Gerät erzeugt

Ursache des Phänomens: Die Zirkulation des Kältemittels kann Geräusche verursachen, bis es stabil ist.

6. Phänomenbeschreibung: Es verbleibt Wasser im Wassertank

Ursache des Phänomens: Das Wasser bleibt zurück, da das Gerät im Werk einem Entfeuchtungstest unterzogen wird

7. Phänomenbeschreibung: Der Summer ertönt

Ursache des Phänomens: Der Summer ertönt, wenn der Wassertank mit Wasser gefüllt ist.

ACHTUNG: Kältemittel kann nur im Werk eingefüllt werden.

TECHNISCHE DATEN:

Entfeuchtungskapazität bei 30 °C / 80 % RH): 25 Liter / 24 Stunden

Entfeuchtungskapazität bei 27 °C / 60 % RH): 13 Liter / 24 Stunden

Geräuschpegel: <= 48 dB (A)

Fassungsvermögen des Wassertanks: 6,5 Liter

Luftdurchsatz: 195 m³/Stunde

Kühlmittelgewicht R290: max. 65 Gramm

Nenneingangsleistung: 320 W

Max. Nenneingangsleistung: 420 W

Stromversorgung: 220–240 V ~ 50 Hz



Vorsicht, Brandgefahr.

NICHT durchstechen oder verbrennen.

Beachten Sie, dass das Kältemittel möglicherweise keinen Geruch enthält.

Die maximale Kältemittelfüllmenge: 65g.



Den Pappkarton im Altpapier entsorgen. Polyäthylenbeutel (PE) in dem Behälter für Kunststoff entsorgen. Das abgenutzte Gerät zum Recycling zu einer offiziellen Sammelstelle bringen, da es gefährliche Substanzen enthält, die die Umwelt gefährden können. Das Gerät sollte in einer Form abgegeben werden, die eine weitere Nutzung unmöglich macht. Wenn es Batterien enthält, sollten diese rausgenommen und separat an einer Sammelstelle abgegeben werden. Das Gerät darf nicht in den Hausmüll rausgeworfen werden!!

FRANÇAIS

CONDITIONS GENERALES DE SECURITE

INSTRUCTIONS DE SÉCURITÉ IMPORTANTES À LIRE ATTENTIVEMENT ET À CONSERVER POUR L'AVENIR

1. Avant d'utiliser l'appareil, lisez le mode d'emploi et suivez les instructions qu'il contient. Le fabricant n'est pas responsable des dommages résultant de l'utilisation contraire de l'appareil ou de son utilisation incorrecte.
2. L'appareil est réservé à un usage domestique. Ne pas utiliser à d'autres fins que celles prévues.
3. L'appareil ne doit être branché qu'à une prise secteur avec une tension de 220 240V ~ 50Hz mise à la terre. Pour augmenter la sécurité de fonctionnement, plusieurs appareils électriques ne doivent pas être connectés à un circuit de courant en même temps.
4. Soyez extrêmement prudent lorsque vous utilisez l'appareil lorsque des enfants se trouvent à proximité. Ne laissez pas les enfants jouer avec l'appareil, n'autorisez pas les enfants ou des personnes inconnus à l'utiliser.
5. AVERTISSEMENT: Cet équipement peut être utilisé par des enfants de plus de 8 ans

et des personnes ayant des capacités physiques, sensorielles ou mentales limitées, ou des personnes qui n'ont aucune expérience ou connaissance de l'équipement, si cela est fait sous la supervision d'une personne responsable. Pour leur sécurité ou leur ont été donnés des informations sur l'utilisation en toute sécurité de l'appareil et sont conscients des dangers de son utilisation. Les enfants ne doivent pas jouer avec l'équipement. Le nettoyage et l'entretien de l'appareil ne doivent pas être effectués par des enfants, sauf s'ils ont plus de 8 ans et que ces activités sont effectuées sous surveillance.

6. Débranchez toujours le cordon d'alimentation en tenant la prise avec votre main après utilisation. NE tirez PAS sur le cordon d'alimentation.

7. N'immergez pas le câble, la fiche et l'appareil dans l'eau ou tout autre liquide.

N'exposez pas l'appareil à des conditions atmosphériques (pluie, soleil, etc.) et ne l'utilisez pas dans des conditions d'humidité élevée (salles de bains, maisons mobiles humides).

8. Vérifiez périodiquement l'état du cordon d'alimentation. Si le cordon d'alimentation est endommagé, il doit être remplacé par un atelier spécialisé afin d'éviter tout danger.

9. N'utilisez pas l'appareil avec un cordon d'alimentation endommagé, s'il est tombé ou s'il a été endommagé d'une autre manière ou s'il ne fonctionne pas correctement. Ne réparez pas l'appareil vous-même, vous risqueriez de vous électrocuter. Apportez le périphérique endommagé à un centre de service approprié pour vérification ou réparation. Toutes les réparations ne peuvent être effectuées que par des points de service autorisés. Des réparations effectuées incorrectement peuvent entraîner un grave danger pour l'utilisateur.

10. Placez l'appareil sur une surface fraîche et stable, loin des appareils de cuisine chauds tels que: cuisinière électrique, brûleur à gaz, etc.

11. Assurez-vous que rien ne bloque l'entrée et la sortie d'air de l'appareil.

12. Utilisez l'appareil uniquement sur une surface plane afin d'empêcher la condensation de se répandre

13. Pour assurer une protection supplémentaire, il est conseillé d'installer un dispositif à courant différentiel résiduel (RCD) dans le circuit électrique avec un courant résiduel nominal ne dépassant pas 30 mA. Demandez à un électricien pour cela.

14. Nettoyez le filtre à air régulièrement. La fréquence de nettoyage dépend de la propreté de l'air.

15. Après avoir éteint la machine, attendez au moins 5 minutes avant de la rallumer.

16. Pour une déshumidification efficace, un espace d'au moins 20 cm doit être utilisé entre les parois latérales des appareils et les meubles ou rideaux compressés.

17. Pour éviter tout risque d'incendie ou d'explosion, ne vaporisez pas le sèche-linge

18. Pour utiliser les pièces du boîtier, ne placez pas le déshumidificateur à proximité d'appareils de chauffage.

19. Retirez l'eau recueillie dans le réservoir. La consommation accidentelle d'eau ou son

utilisation avec d'autres personnes peut provoquer des maladies.

20. Ne prend pas en charge les appareils dont le capot arrière a été retiré en raison de pièces mobiles et chaudes.

21. N'utilisez aucun moyen de décongélation ou de fonctionnement autre que ceux recommandés par le fabricant.

22. L'appareil devrait être disponible dans le cadre d'une liste permanente de sources d'inflammation, c'est-à-dire sans flamme nue, sans appareil à gaz en état de marche ou sans chauffage d'appareil en état de marche.

23. Ne percez pas et ne fumez pas.

24. Veuillez noter que les fabricants de réfrigérateurs peuvent ne pas contenir de parfum.

Avant la première utilisation:

1. Le déshumidificateur doit être utilisé sur une surface plane et stable, gardez les distances entre l'unité et les autres objets conformément à l'image 1 pour assurer une efficacité appropriée. Fermez toutes les fenêtres et portes de la pièce dont vous souhaitez déshumidifier l'air.
2. Pour éviter que l'eau ne gèle, n'utilisez pas le déshumidificateur et le tuyau de vidange à une température ambiante inférieure à 0 ° C
3. N'utilisez pas le déshumidificateur à l'extérieur. L'exposition à la lumière directe du soleil ou à la pluie peut entraîner une surchauffe, un choc électrique et un incendie.
4. Ne placez pas de réservoir d'eau sur le déshumidificateur pour éviter tout déversement d'eau à l'intérieur de l'unité et détériorer l'isolation.
5. N'essayez jamais d'utiliser le déshumidificateur à des fins spéciales, telles que la déshumidification des aliments ou la conservation d'objets d'art ou autres.
6. N'utilisez pas le déshumidificateur là où une fuite d'huile ou de gaz inflammable peut se produire. N'utilisez pas l'appareil dans des endroits soumis à des produits chimiques.
7. Pour une vidange continue, assurez-vous que le tuyau de vidange est correctement réglé avec la pente.
8. Veillez à ce qu'un appareil de chauffage ne soit pas exposé au vent du déshumidificateur.
9. N'utilisez pas le déshumidificateur comme chaise ou tabouret.
10. Ne retirez pas le levier du flotteur du réservoir d'eau.
11. N'obstruez pas les entrées d'air et les sorties d'air.
12. Ne couvrez pas l'appareil avec des vêtements lavés.

Description du produit : Déshumidificateur et purificateur d'air 2 en 1 AD7863

- | | |
|---|--------------------------------------|
| 1. Panneau de commande | 2. Entrée d'air |
| 3. Réservoir d'eau 6,5L | 4. Sortie d'air |
| 5. Poignée | 6. Flotteur |
| 7. Filtre à air HEPA | 8. Préfiltre à air en maille lavable |
| 9. Boîtier du filtre | 10. Voyant d'humidité |
| 11. Filtre à charbon actif | 12. Affichage numérique avant |
| 13. Trou pour tuyau d'évacuation d'eau continue | |

Panneau de commande (1) :

- | | |
|---|--|
| A. Interrupteur d'alimentation | B. Boutons plus et moins |
| C. Bouton minuterie 0-24 heures | D. Bouton vitesse du ventilateur |
| E. Bouton Mode | F. Indicateur du mode Séchage des vêtements |
| G. Indicateur du mode de fonctionnement normal | H. Indicateur du mode de circulation d'air |
| I. Indicateur de mode automatique | J. Indicateur d'auto-dégivrage de l'appareil |
| K. Indicateur de vitesse élevée du ventilateur | L. Indicateur de vitesse faible du ventilateur |
| M. Indicateur de minuterie | N. Indicateur de température |
| O. Indicateur d'humidité | P. Indicateur d'humidité cible |
| Q. Indicateur de réservoir d'eau plein | R. Indicateur d'alimentation |
| S. Affichage numérique LED de l'humidité, de la minuterie et de la température ambiante | |

CONDITIONS D'UTILISATION

Ce déshumidificateur n'est pas adapté pour maintenir une humidité très basse, environ 50 % ou moins .

Ce déshumidificateur est conçu pour éliminer l'humidité inconfortable de la vie quotidienne et pour le séchage auxiliaire des vêtements lavés à l'intérieur . Cela ne convient pas pour maintenir une humidité très basse .

Il est normal que l'appareil produise de la chaleur pendant le fonctionnement et que la température ambiante augmente de 1 °C à 4 °C, car cet appareil n'a pas de fonction de refroidissement . La température augmente lorsqu'il fonctionne dans un placard ou autre . De plus , la température ambiante augmente parce que les portes et les fenêtres sont fermées et que de la chaleur est produite par d'autres appareils dans la pièce et par le rayonnement solaire . Ce déshumidificateur ne peut pas être utilisé pour maintenir des températures extrêmement basses. La fonction de ce déshumidificateur est d'évacuer l'humidité désagréable et élevée.

FONCTION D'AUTO-DÉGIVRAGE DE L'APPAREIL

Lorsque du givre s'accumule sur les serpentins de l'évaporateur à l'intérieur de l'appareil, la fonction de dégivrage automatique démarre. Le le compresseur s'éteindra et le ventilateur continuera à fonctionner jusqu'à ce que le givre soit éliminé. Lorsque l'appareil est en marche dans une température ambiante comprise entre 5 degrés Celsius et 12 degrés Celsius , il cessera de décongeler pendant environ 3 minutes toutes les 8 minutes. Lorsque l'appareil fonctionne à une température ambiante comprise entre 12 degré Celsius et 18 degré Celsius , le dégivrage s'arrêtera pendant environ 5 minutes toutes les 25 minutes. Lorsque l'appareil fonctionne dans une température ambiante comprise entre 18 degrés Celsius et 23 degré Celsius il cessera de décongeler pendant environ 5 minutes toutes les 120 minutes. Attendez 3 minutes avant de reprendre le fonctionnement. Une fois le compresseur arrêté, il ne peut pas redémarrer son fonctionnement jusqu'à ce que 3 minutes se soient écoulées. Le voyant (J) sur le panneau de commande (1) est allumé tout le temps que l' auto-dégivrage est actif.

IMPORTANT !

La fonction de déshumidification et la fonction de purification de l'air s'arrêtent pendant l'opération de dégivrage . Ne débranchez pas la fiche de l'appareil et n'éteignez pas l'appareil pendant le dégivrage .

Capacité de déshumidification

1. La capacité de déshumidification quotidienne du déshumidificateur dépend de la température ambiante et de l'humidité relative. À différentes températures et humidité relative, il peut avoir une capacité de déshumidification différente.
2. À température ambiante identique, la capacité de déshumidification est plus élevée dans une humidité relative plus élevée et la capacité de déshumidification est plus faible dans une humidité relative plus faible. Dans la même humidité relative, la capacité de déshumidification est plus élevée à température élevée et la capacité de déshumidification est inférieure à température plus basse.
3. Si le déshumidificateur est placé dans l'armoire, sa capacité de déshumidification peut fortement diminuer dans un court laps de temps après son fonctionnement en raison de la forte réduction de l'humidité dans l'armoire.
4. Pour 30°C / 27°C de température ambiante et 80% / 60% d'humidité relative, la capacité de déshumidification est respectivement d'environ 25 /13 litres d'eau lorsque la sortie d'air est complètement ouverte.

Système de purification de l'air - Filtration en 3 étapes

Le système est conçu pour éliminer les particules polluantes et les odeurs présentes dans l'air. L'appareil comprend les filtres suivants :

1. Pré-filtre à air en maille lavable (8) : utilisé pour filtrer la poussière et les cheveux dans l'air.
2. Filtre à charbon actif : élimine l'odeur causée par exemple par la cigarette, l'animal domestique, etc.
3. Filtre HEPA H13 : Il filtre les poussières, les particules polluantes et rafraîchit l'air. Le filtre HEPA H13 retient efficacement 99,95 % des particules polluantes d'une taille allant jusqu'à 0,3 microns dans l'air en circulation. Le filtre HEPA H13 convient à la purification de l'air des personnes allergiques.

Opération

1. Veuillez placer l'appareil à la verticale pour éviter tout fonctionnement manqué et tout bruit inhabituel. Gardez les distances entre les autres objets comme indiqué sur l'image 1.
2. Le filtre HEPA (7) est emballé dans des sacs en polyéthylène, veuillez retirer le sac en polyéthylène avant utilisation.
3. Ouvrez le couvercle noir sur le dessus de l'appareil pour laisser l'air s'échapper facilement.
4. Branchez l'appareil, l'interrupteur d'alimentation (A) clignote sur le panneau de commande (1), appuyez dessus pour allumer l'appareil. L'affichage numérique (S) indiquera le niveau d'humidité actuel dans la pièce. En même temps, le voyant d'humidité (10) s'allumera sur le bord avant supérieur de l'appareil.

Pendant le fonctionnement, le voyant d'indication d'humidité indique le niveau d'humidité actuel dans la pièce :

- La couleur bleue signifie une faible humidité inférieure à 50 % d'humidité relative.
- La couleur verte signifie une humidité moyenne comprise entre 51 % et 69 % d'humidité relative.
- La couleur rouge signifie une humidité élevée supérieure à 70 % d'humidité relative.

Veuillez noter que la valeur d'humidité relative a une tolérance de 3 % lorsque le voyant lumineux correspondant s'allume.

5. Appuyez sur le bouton de mode (E) en cycle pour choisir le mode de fonctionnement souhaité entre :

- Mode vêtements secs – appuyez une fois sur le bouton mode (E), l'indicateur (F) s'allumera. Pour obtenir un fonctionnement rapide, le compresseur fonctionne en continu sans arrêt, sauf dans le cas où le réservoir d'eau (3) est plein. Le ventilateur reste constamment à haute vitesse.
- Mode de fonctionnement normal – appuyez à nouveau sur le bouton mode (E), l'indicateur (G) s'allumera. En fonctionnement normal, le compresseur fonctionne. L'utilisateur peut définir le niveau d'humidité cible en appuyant sur les boutons plus et moins (3). La plage d'humidité définie est : 30 % à 80 % avec un pas de 5 %. Lorsque l'humidité cible atteint, le compresseur cesse de fonctionner. Le ventilateur peut être réglé sur les deux vitesses : haute et basse vitesse selon vos besoins. Pour choisir la vitesse du ventilateur entre basse et haute, appuyez sur le bouton (D), l'indicateur correspondant (K) pour haute vitesse et (L) pour basse vitesse s'allumera.
- Mode circulation d'air – appuyez à nouveau sur le bouton mode (E), l'indicateur (H) s'allumera. Dans ce mode, le compresseur ne fonctionne pas, seul le ventilateur fonctionne. Vous pouvez régler la vitesse du ventilateur entre : basse et haute vitesse selon vos besoins.
- Mode automatique — appuyez à nouveau sur le bouton mode (E), le voyant (I) s'allumera. Dans ce mode, l'humidité cible par défaut est de 55 %. Lorsque l'humidité de la pièce atteint 55 %, le compresseur cesse de fonctionner, le ventilateur continue de fonctionner uniquement. Lorsque l'humidité de la pièce est supérieure à 55 %, le compresseur recommence à fonctionner.

En cas de coupure d'électricité, l'appareil dispose d'une fonction de mémoire et peut mémoriser la dernière configuration.

Fonction de drainage continu

1. Si vous devez déshumidifier l'air pendant une longue période, vous pouvez utiliser la fonction de drainage continu.
 2. Avant un fonctionnement continu pendant une longue durée, une vérification périodique est requise, en particulier pour le filtre à air pur, le tuyau de vidange ou autre.
 3. Retirez le réservoir d'eau (3) de sa position d'origine, insérez le tuyau attaché sur le trou pour une évacuation continue de l'eau (13).
montré sur la photo 5.
 4. Lorsque vous définissez l'humidité cible en mode de déshumidification normal, vous pouvez définir : 30-35-40-45-50-55-60-65-70-75-80%-CO-30% et ainsi de suite. « CO » signifie mode de déshumidification continue. Dans ce mode, la vitesse du ventilateur peut être choisie entre basse vitesse et haute vitesse.
 5. Après avoir terminé la déshumidification continue, démontez le tuyau, placez le réservoir d'eau (3) à sa place d'origine et éteignez l'appareil.
- Tuyau de vidange : longueur : 30 cm, diamètre intérieur : 17 mm, diamètre extérieur : 19 mm.

Fonctionnement par minuterie - Fonction d'arrêt différé

Pour régler la fonction Timer OFF - DELAY STOP, utilisez le bouton timer (C).

La fonction de minuterie d'arrêt peut être réglée lorsque l'appareil fonctionne. Appuyez sur le bouton Minuterie (C), l'indication de la minuterie (M) s'allumera. L'affichage numérique LED (S) s'allume et « 00 » apparaît, vous devez appuyer sur les boutons plus ou moins (B) pour sélectionner l'heure souhaitée pour l'extinction de l'appareil. Une fois la minuterie réglée, l'heure sera affichée pendant 5 secondes et mémorisée. Une fois la minuterie réglée, pour vérifier avec le temps restant, appuyez sur le bouton de la minuterie (C). L'appareil s'éteindra automatiquement une fois le temps de configuration écoulé. Pour réinitialiser la fonction de minuterie, il faut appuyer continuellement sur le bouton de minuterie (C) pendant que la valeur du temps clignote, la valeur du temps sera remplacée par zéro. La plage de minuterie est de 1 à 24 heures avec un intervalle de 1 heure.

Vérification de la température ambiante

Afin de vérifier la température ambiante actuelle, appuyez sur le bouton Plus pendant quelques secondes, lorsque la valeur sera affichée sur l'affichage numérique LED (S), en même temps l'indicateur de température (N) sera affiché.

Vérification de l'humidité de la pièce

Afin de vérifier l'humidité actuelle de la pièce, regardez la valeur affichée par l'affichage numérique LED (S) ou regardez la valeur affichée par l'affichage numérique avant (12), en même temps l'indicateur d'humidité (O) s'allumera sur la commande. panneau (1). Lorsque l'humidité ambiante actuelle atteint l'humidité relative réglée, l'indicateur d'humidité cible (P) s'allume.

Appuyez à nouveau sur l'interrupteur d'alimentation (A) pour éteindre l'appareil, l'appareil s'arrête de fonctionner, seul le voyant d'alimentation (R) clignote pour informer que l'appareil est en état de veille. Lorsque l'appareil est allumé. Le voyant d'alimentation (R) s'allume.

Vider le réservoir d'eau

1. Si le réservoir d'eau (3) est plein ou si le réservoir d'eau (3) n'est pas installé dans la bonne position, l'indication du réservoir d'eau plein (Q) s'allume sur le panneau de commande (1), le signal sonore retentit. L'appareil cessera de fonctionner automatiquement.
2. Lorsque le voyant du réservoir d'eau plein (Q) clignote, l'appareil s'arrête de fonctionner jusqu'à ce que le réservoir d'eau soit vide

ou réglé dans la bonne position.

3. Pour retirer le réservoir d'eau (3), veuillez tirer doucement le réservoir d'eau vers vous en tenant les parties concaves du réservoir d'eau. Regardez l'image 3.

4. Pour vider le réservoir d'eau (3), utilisez une poignée pour le transporter, puis inclinez-le comme indiqué sur la photo 4 et vidangez l'eau lentement. Ensuite, vous devez poser la poignée à plat avant de repousser doucement le réservoir (3) dans sa position précédente à l'intérieur du boîtier.

5. De temps en temps, le réservoir d'eau (6) doit être nettoyé à l'intérieur. Pour ouvrir le réservoir d'eau (3), ajustez la position de la poignée du réservoir d'eau à la forme des trous dans les deux pièces en plastique sur lesquelles la poignée est assemblée et élargissez doucement les deux bords de la poignée pour démonter complètement la poignée. Vous pouvez maintenant ouvrir le couvercle du réservoir d'eau et nettoyer le réservoir d'eau avec de l'eau avec du savon à vaisselle et un chiffon doux. Ne démontez pas et ne soulevez pas le flotteur (6) du réservoir d'eau (3). Regardez l'image

Avertisseur sonore

Il retentit pendant 20 secondes lorsque le réservoir d'eau (3) est retiré pendant le fonctionnement.

Nettoyage et entretien

1. Éteignez l'appareil et débranchez la fiche d'alimentation avant de commencer tout nettoyage ou autre entretien de routine.

2. Pour éviter tout risque de choc électrique, ne vaporisez jamais et ne renversez jamais d'eau sur le déshumidificateur lors du nettoyage.

3. Éteignez l'appareil et videz l'eau du réservoir d'eau avant de déplacer l'appareil. Assurez-vous de tenir la poignée lorsque vous vous déplacez.

4. Essuyez le boîtier de l'appareil avec un chiffon doux et humide.

5. Ne démontez pas le flotteur (6) du réservoir d'eau (3).

6. Avant un fonctionnement continu prévu pendant une longue durée, un contrôle périodique est requis, en particulier pour le filtre à air à mailles (8), le filtre à charbon actif (11) et le tuyau d'évacuation (13), ou similaire.

7. Pour nettoyer ou remplacer les filtres :

- débrancher la fiche et retirer le réservoir d'eau (3)

- retirer le boîtier du filtre (9) comme indiqué sur la figure 5

- retirer le filtre à air à mailles (8) du boîtier et retirer délicatement le filtre à charbon actif (11)

- retirer le filtre HEPA (7) de l'appareil

- toutes les deux semaines, nettoyez les trois filtres avec un aspirateur ou tapotez-les légèrement pour les secouer. Les performances de déshumidification peuvent diminuer si les filtres sont obstrués par de la saleté

- remettre les filtres et remonter le boîtier du filtre (9).

Si les filtres sont sérieusement encrassés, lavez-les à l'eau additionnée d'un détergent neutre, rincez bien à l'eau et laissez sécher.

8. Ne nettoyez pas l'appareil avec de l'essence, du diluant ou un détergent liquide.

9. Avant un stockage prolongé : regroupez le cordon d'alimentation, videz le réservoir d'eau et essuyez-le avec un chiffon doux, nettoyez et séchez tous les filtres. Tenez l'appareil en position verticale pour éviter un dysfonctionnement ou un bruit anormal à l'avenir, évitez l'exposition directe au soleil.

Dépannage : vérifiez avec la liste ci-dessous avant de contacter le vendeur :

1. Problème : aucune opération

Point de contrôle 1 : vérifier si la fiche d'alimentation est débranchée.

Solution 1 : insérez la fiche dans une prise électrique complètement et en toute sécurité

Point de contrôle 2 : voir si le réservoir d'eau est plein d'eau

Solution 2 : Videz l'eau du réservoir .

Point de contrôle 3 : voir si le réservoir d'eau n'est pas correctement mis en place .

Solution 3 : Réglez correctement le réservoir sur l' appareil

Point de contrôle 4 : vérifiez si le couvercle supérieur en plastique noir de la sortie d'air est fermé.

Solution 4 : ouvrir le couvercle supérieur

2. Problème : la capacité du déshumidificateur est faible

Point de contrôle 1 : voir si les filtres sont sales

Solution 1 : Nettoyer les filtres comme précisé au chapitre Nettoyage et Entretien au point 7

Point de contrôle 2 : voir si les ouvertures d'air sont bouchées

Solution 2 : retirer les obstacles des ouvertures d'aération

Point de contrôle 3 : voir si le déshumidificateur est en mode circulation d'air

Solution 3 : Changez le mode de fonctionnement en mode déshumidification

3. Problème : son fort pendant le fonctionnement

Point de contrôle 1 : vérifier si l'appareil est correctement installé

Solution 1 : Installer l'appareil sur un sol plat et stable

4. Problème : les linges lavés ne sont pas séchés

Point de contrôle 1 : vérifier si les vêtements lavés ne sont pas exposés à l'air de l'appareil

Solution 1 : Essayez d'exposer les vêtements lavés au flux d'air

Point de contrôle 2 : voir si la température ambiante est trop basse

Solution 2 : Les vêtements lavés sont difficiles à sécher dans des conditions de basse température

L'appareil fonctionne correctement lorsque le phénomène suivant se produit :

1. Description du phénomène : le fonctionnement s'arrête occasionnellement

Raison du phénomène : L'appareil est en train de dégivrer

2. Description du phénomène : le volume déshumidifié est faible

Raison du phénomène : Le volume du déshumidificateur diminue lorsque la température ambiante est basse.

3. Description du phénomène : L'humidité dans une pièce est encore élevée

Raison du phénomène : La taille de la pièce est peut-être trop grande . Les portes ou les fenêtres de la pièce peuvent être ouvertes et / ou fermées

fréquemment . Le déshumidificateur s'utilise à proximité d'un radiateur au kérosène qui émet de la vapeur .

4. description du phénomène : mauvaise odeur pendant le fonctionnement

Raison du phénomène : L'odeur est émise par les murs , les meubles ou d'autres objets .

5. Description du phénomène : le son est produit à l'intérieur de l'appareil.

Raison du phénomène : La circulation du réfrigérant peut provoquer du bruit jusqu'à ce qu'il soit stable .

6. Description du phénomène : de l'eau reste dans le réservoir d'eau.

Raison du phénomène : L'eau reste car l'appareil est soumis à un test de déshumidification en usine.

7. Description du phénomène : le buzzer retentit

Raison du phénomène : Le buzzer retentit lorsque le réservoir d'eau est plein d'eau .

ATTENTION : L'agent réfrigérant peut être rempli uniquement en usine.

DONNÉES TECHNIQUES:

Capacité de déshumidification à 30°C / 80% HR) : 25 litres / 24 heures

Capacité de déshumidification à 27°C / 60% HR) : 13 litres / 24 heures

Niveau sonore : <= 48dB (A)

Capacité du réservoir d'eau : 6,5 litres

Débit d'air : 195 m3/heure

Poids du liquide de refroidissement R290 : max. 65 grammes

Puissance d'entrée nominale : 320 W

Max. Puissance d'entrée nominale : 420 W

Alimentation : 220-240 V ~ 50 Hz



Attention, risque d'incendie.

NE PAS percer ni brûler.

Sachez que le réfrigérant peut ne pas contenir d'odeur.

La quantité maximale de charge de réfrigérant: 65g.



Respect de l'environnement. Nous vous prions de bien vouloir trier les emballages en carton ainsi que les sachets plastiques (en polyéthylène). L'appareil usagé ne doit pas être jeté à la poubelle mais remis au point de collecte prévu à cet effet car il contient des éléments pouvant être nocifs pour l'environnement. L'appareil électrique doit être remis de manière à limiter au maximum une éventuelle utilisation ultérieure. Si l'appareil contient des piles, il faut les retirer et les remettre à un autre point de collecte.

Ne pas jeter l'appareil dans une poubelle de déchets ménagers !!!

ESPAÑOL

CONDICIONES GENERALES DE SEGURIDAD

INSTRUCCIONES DE SEGURIDAD IMPORTANTES LEA CUIDADOSAMENTE Y AHORRE POR FUTURO

1. Antes de usar el dispositivo, lea el manual de operación y siga las instrucciones contenidas en él. El fabricante no se hace responsable de los daños causados por el uso del dispositivo contrario a su propósito previsto u operación incorrecta.
2. El dispositivo es solo para uso doméstico. No lo use para otros fines que no sean para los fines previstos.
3. El dispositivo solo debe conectarse a un tomacorriente de CA con una conexión a tierra de 220 240V ~ 50Hz. Para aumentar la seguridad operativa, no se deben conectar varios dispositivos eléctricos a un circuito de corriente al mismo tiempo.
4. Tenga mucho cuidado al usar el dispositivo cuando haya niños cerca. No permita que

los niños jueguen con el dispositivo, no permita que lo usen niños o personas que no estén familiarizadas con el dispositivo.

5. **ADVERTENCIA:** Este equipo puede ser utilizado por niños mayores de 8 años y personas con capacidad física, sensorial o mental limitada, o personas que no tienen experiencia o conocimiento del equipo, si esto se hace bajo la supervisión de una persona responsable. por su seguridad o se les ha otorgado información sobre el uso seguro del dispositivo y son conscientes de los peligros de su uso. Los niños no deben jugar con el equipo. La limpieza y el mantenimiento del dispositivo no deben ser realizados por niños, a menos que tengan más de 8 años y estas actividades se realicen bajo supervisión.

6. Siempre desconecte el enchufe de alimentación sosteniendo el enchufe con la mano después de usarlo. NO tire del cable de alimentación.

7. No sumerja el cable, el enchufe y todo el dispositivo en agua o cualquier otro líquido. No exponga el dispositivo a condiciones atmosféricas (lluvia, sol, etc.) ni lo use en condiciones de alta humedad (baños, casas móviles húmedas).

8. Compruebe periódicamente el estado del cable de alimentación. Si el cable de alimentación está dañado, debe ser reemplazado por un taller de reparación especializado para evitar peligros.

9. No utilice el aparato con un cable de alimentación dañado o si se ha caído o dañado de alguna otra manera o si no funciona correctamente. No repare el dispositivo usted mismo, ya que existe el riesgo de descarga eléctrica. Lleve el dispositivo dañado a un centro de servicio apropiado para su revisión o reparación. Todas las reparaciones solo pueden llevarse a cabo en puntos de servicio autorizados. Las reparaciones realizadas incorrectamente pueden causar serios peligros para el usuario.

10. Coloque el dispositivo sobre una superficie fresca y estable, lejos de electrodomésticos de cocina calientes como: estufa eléctrica, quemador de gas, etc.

11. Asegúrese de que nada bloquee la entrada y salida de aire del dispositivo

12. Use el dispositivo solo en una superficie nivelada para evitar que se derrame la condensación

13. Para proporcionar protección adicional, es aconsejable instalar un dispositivo de corriente residual (RCD) en el circuito eléctrico con una corriente residual nominal que no exceda los 30 mA. Pregúntele a un electricista por esto.

14. Limpie el filtro de aire regularmente. La frecuencia de la limpieza depende de la limpieza del aire.

15. Después de apagar la máquina, espere al menos 5 minutos antes de volver a encenderla.

16. Para una deshumidificación efectiva, se debe utilizar un espacio de al menos 20 cm entre las paredes laterales de los dispositivos y los muebles o cortinas comprimidos.

17. Para evitar el riesgo de incendio o explosión, no rocíe la secadora

18. Para usar las piezas de la carcasa, no coloque el deshumidificador cerca de

dispositivos de calefacción.

19. Retire el agua recogida en el tanque. Tomar agua accidentalmente o usarla con otras personas puede causar enfermedades.

20. No admite dispositivos con la cubierta posterior retirada debido a piezas móviles y calientes.

21. No utilice ningún medio para llevar a cabo el proceso de descongelación u operación que no sean los recomendados por el fabricante.

22. El dispositivo debe estar disponible como parte de una lista permanente de fuentes de ignición, es decir, sin llama abierta, sin un dispositivo de gas en funcionamiento o sin un calentador de dispositivo en funcionamiento.

23. No perforar ni fumar.

24. Tenga en cuenta que los fabricantes de refrigeración no pueden contener fragancias.

Antes del primer uso:

1. El deshumidificador debe usarse en una superficie nivelada y estable, mantenga las distancias entre la unidad y otros objetos de acuerdo con la imagen 1 para garantizar una eficiencia adecuada. Cierre todas las ventanas y puertas de la habitación donde desee deshumidificar el aire.

2. Para evitar que el agua se congele, no use el deshumidificador ni la manguera de drenaje a una temperatura ambiente inferior a 0 ° C

3. No use el deshumidificador afuera. La exposición a la luz solar directa o la lluvia puede provocar sobrecalentamiento, descargas eléctricas e incendios.

4. No coloque el tanque de agua sobre el deshumidificador para evitar derrames de agua dentro de la unidad y deteriorar el aislamiento.

5. Nunca intente utilizar el deshumidificador para usos especiales, como la deshumidificación de alimentos o la preservación de objetos de arte, o similares.

6. No utilice el deshumidificador donde pueda tener lugar una fuga de aceite o gas inflamable. No utilice la unidad en lugares sujetos a productos químicos.

7. Para un drenaje continuo, asegúrese de que la manguera de drenaje esté ajustada correctamente con pendiente.

8. Tenga cuidado de que un aparato de calefacción no esté expuesto al viento del deshumidificador.

9. No utilice el deshumidificador como silla o reposapiés.

10. No retire la palanca del flotador del tanque de agua.

11. No bloquee las entradas de aire y las salidas de aire.

12. No cubra la unidad con ropa lavada.

Descripción del producto: Deshumidificador y purificador de aire AD7863 2 en 1

1. Panel de control

2. Entrada de aire

3. Depósito de agua 6,5L

4. Salida de aire

5. Mango

6. Flotador

Filtro de aire HEPA

8. Prefiltro de aire de malla lavable

9. Caja del filtro

10. Luz indicadora de humedad

11. Filtro de carbón activado

12. Pantalla digital frontal

13. Orificio para tubería de drenaje continuo de agua.

Panel de control (1):

A. Interruptor de encendido

C. Botón del temporizador 0-24 horas

E. Botón de modo

G. Indicador del modo de funcionamiento normal

I. Indicador de modo automático

K. Indicador de velocidad alta del ventilador

M. Indicador del temporizador

O. Indicador de humedad

B. Botones más y menos

D. Botón de velocidad del ventilador

F. Indicador de modo de ropa seca

H. Indicador del modo de circulación de aire

J. Indicación de autodescongelamiento del dispositivo

L. Indicador de velocidad baja del ventilador

N. Indicador de temperatura

P. Indicador de humedad objetivo

Q. Indicador del tanque de agua lleno

R. Indicador de encendido

S. Pantalla digital LED de humedad y temporizador y temperatura ambiente.

CONDICIONES DE USO

Este deshumidificador no es adecuado para mantener la humedad muy baja, aproximadamente el 50 % o menos .

Este deshumidificador está diseñado para eliminar la humedad incómoda en la vida diaria y para utilizarlo como secado auxiliar de ropa lavada en interiores . Esto no es adecuado para mantener la humedad muy baja .

Es normal que el dispositivo produzca calor durante el funcionamiento y que la temperatura ambiente aumente de 1 °C a 4 °C, porque este dispositivo no tiene función de enfriamiento . La temperatura aumenta mientras se utiliza en un armario o similar . Además , la temperatura ambiente aumenta porque se cierran puertas y ventanas y el calor se produce a partir de otros aparatos de la habitación y de la radiación solar . Este deshumidificador no puede utilizarse para mantener temperaturas extremadamente bajas. La función de este deshumidificador es eliminar la humedad elevada y desagradable.

FUNCIÓN DE AUTODESCONGELACIÓN DEL DISPOSITIVO

Cuando se acumule escarcha en los serpentines del evaporador dentro del dispositivo, se iniciará la función de descongelación automática. El El compresor se apagará y el ventilador seguirá funcionando hasta que se elimine la escarcha. Cuando el dispositivo está funcionando en una temperatura ambiente entre 5 grados Celsius y 12 grados Celsius , se detendrá para descongelarse durante aproximadamente 3 minutos cada 8 minutos. Cuando el dispositivo está funcionando a una temperatura ambiente de entre 12 grados Celsius y 18 grados Celsius , dejará de descongelarse durante aproximadamente 5 minutos cada 25 minutos. Cuando el dispositivo está funcionando en una temperatura ambiente entre 18 grados Celsius y 23 grados centígrados se detendrá para descongelarse durante unos 5 minutos cada 120 minutos. Espere 3 minutos antes de reanudar la operación. Una vez que el compresor se ha detenido, no puede reiniciar su funcionamiento. hasta que hayan pasado 3 minutos. El indicador (J) en el panel de control (1) permanece encendido todo el tiempo que el autodescongelamiento esté activo.

IMPORTANTE !

Tanto la función de deshumidificación como la función de limpieza de aire se detienen durante la operación de descongelación .

No desconecte el enchufe del dispositivo ni apague el dispositivo durante la descongelación .

Capacidad deshumidificadora

1. La capacidad deshumidificadora diaria del deshumidificador depende de la temperatura ambiente y la humedad relativa. A diferentes temperaturas y humedad relativa, puede tener diferente capacidad deshumidificadora.
2. A la misma temperatura ambiente, la capacidad de deshumidificación es mayor con una humedad relativa más alta y la capacidad de deshumidificación es menor con una humedad relativa más baja. A la misma humedad relativa, la capacidad deshumidificadora es mayor a mayor temperatura y la capacidad deshumidificadora es menor a menor temperatura.
3. Si el deshumidificador se coloca en el gabinete, su capacidad deshumidificadora puede reducirse considerablemente en un corto período después de su funcionamiento debido a que la humedad en el gabinete se ha reducido considerablemente.
4. Para 30°C / 27°C de temperatura ambiente y 80% / 60% de humedad relativa, la capacidad de deshumidificación es respectivamente de aproximadamente 25 /13 litros de agua cuando la salida de aire está completamente abierta.

Sistema de purificación de aire: filtración de 3 etapas.

El sistema está diseñado para eliminar partículas contaminantes y olores en el aire. El dispositivo incluye los siguientes filtros:

1. Prefiltro de aire de malla lavable (8): se utiliza para filtrar el polvo y los pelos del aire.
2. Filtro de carbón activado: elimina el olor causado, por ejemplo, por cigarrillo, mascota, etc.
3. Filtro HEPA H13: Filtra polvo, partículas contaminantes y refresca el aire. El filtro HEPA H13 retiene eficazmente el 99,95% de las partículas contaminantes de hasta 0,3 micrones en el aire que fluye. El filtro HEPA H13 es adecuado para la purificación del aire para personas alérgicas.

Operación

1. Coloque el dispositivo en posición vertical para evitar fallos de funcionamiento y sonidos inusuales. Mantenga distancias entre otros objetos como se muestra en la imagen 1.
2. El filtro HEPA (7) está empaquetado en bolsas de plástico; retire la bolsa de plástico antes de usarlo.
3. Abra la tapa negra en la parte superior del dispositivo para que el aire salga fácilmente.
4. Enchufe el dispositivo, el interruptor de encendido (A) parpadea en el panel de control (1), presiónelo para encender el dispositivo. La pantalla digital (S) mostrará el nivel de humedad actual en la habitación. Al mismo tiempo se encenderá la luz indicadora de humedad (10) en el borde superior frontal del dispositivo.

Durante el funcionamiento, la luz indicadora de humedad muestra el nivel de humedad actual en la habitación:

- El color azul significa baja humedad por debajo del 50% de humedad relativa.
- El color verde significa humedad media en el rango 51% - 69% de humedad relativa
- El color rojo significa alta humedad superior al 70% de humedad relativa.

Tenga en cuenta que el valor de humedad relativa tiene una tolerancia del 3% cuando se enciende la luz indicadora correspondiente.

5. Presione el botón de modo (E) en ciclo para elegir el modo de operación deseado entre:

- Modo de ropa seca: presione el botón de modo (E) una vez, el indicador (F) se iluminará. Para lograr un rápido cumplimiento de su función, el compresor funciona continuamente sin parar, excepto en el caso de que el tanque de agua (3) esté lleno. El ventilador se mantiene a alta velocidad todo el tiempo.

- Modo de funcionamiento normal: presione el botón de modo (E) nuevamente, el indicador (G) se iluminará. En funcionamiento normal, el compresor funciona. El usuario puede establecer el nivel de humedad objetivo presionando los botones más y menos (3). El rango de humedad establecido es: 30%-80% con un paso del 5%. Cuando se alcanza la humedad objetivo, el compresor deja de funcionar. El ventilador se puede configurar en ambas velocidades: alta y baja según sus necesidades. Para elegir la velocidad del ventilador entre baja y alta, presione el botón (D), se iluminará el indicador correspondiente (K) para velocidad alta y (L) para velocidad baja.

- Modo de circulación de aire: presione el botón de modo (E) nuevamente, el indicador (H) se iluminará. En este modo el compresor no funciona, sólo funciona el ventilador. Puedes ajustar la velocidad del ventilador entre: baja y alta velocidad según tus necesidades.

- Modo automático — presione el botón de modo (E) nuevamente, el indicador (I) se iluminará. En este modo, la humedad objetivo predeterminada es 55%. Cuando la humedad ambiente alcanza el 55%, el compresor deja de funcionar y el ventilador sólo sigue funcionando. Cuando la humedad ambiente es superior al 55%, el compresor comienza a funcionar nuevamente.

En caso de corte de electricidad el dispositivo tiene función de memoria y puede recordar la última configuración.

Función de drenaje continuo

1. Si necesita deshumidificar el aire durante un período prolongado, puede utilizar la función de drenaje continuo.

2. Antes de un funcionamiento continuo durante un período prolongado, se requiere una verificación periódica, especialmente del filtro de limpieza de aire, la tubería de drenaje o similares.

3. Retire el tanque de agua (3) de su posición original, inserte el tubo adjunto en el orificio para drenaje continuo de agua (13). se muestra en la imagen 5.

4. Cuando configura la humedad objetivo en el modo de deshumidificación normal, puede configurar: 30-35-40-45-50-55-60-65-70-75-80%-CO-30% y así sucesivamente. "CO" significa modo de deshumidificación continua. En este modo, la velocidad del ventilador se puede elegir entre baja o alta velocidad.

5. Una vez finalizada la deshumidificación continua, desmontar el tubo, colocar el depósito de agua (3) en su lugar original y apagar el aparato.

Manguera de drenaje: longitud: 30 cm, diámetro interior: 17 mm, diámetro exterior: 19 mm.

Operación del temporizador - Función de parada retardada

Para configurar la función Temporizador APAGADO - DEMORA RETARDADA utilice el botón del temporizador (C).

La función de apagado del temporizador se puede configurar cuando el dispositivo está en funcionamiento. Presione el botón del temporizador (C), la indicación del temporizador (M) se iluminará. La pantalla digital LED (S) se ilumina y aparece "00", debes presionar los botones más o menos (B) para seleccionar el tiempo deseado para que el dispositivo se apague. Después de configurar el temporizador, la hora se mostrará durante 5 segundos y la recordará. Una vez configurado el temporizador, para verificar el tiempo restante, presione el botón del temporizador (C). El dispositivo se apagará automáticamente después de que pase el tiempo configurado. Para restablecer la función del temporizador es necesario presionar continuamente el botón del temporizador (C) mientras el valor del tiempo parpadea, el valor del tiempo cambiará a cero. El rango del temporizador es de 1 a 24 horas con un intervalo de 1 hora.

Control de temperatura ambiente

Para verificar la temperatura ambiente actual, presione el botón Más durante unos segundos, cuando el valor se mostrará en la pantalla digital LED (S), al mismo tiempo se mostrará el indicador de temperatura (N).

Comprobación de la humedad ambiental

Para verificar la humedad ambiental actual, mire el valor que se muestra en la pantalla digital LED (S) o mire el valor que se muestra en la pantalla digital frontal (12), al mismo tiempo se iluminará el indicador de humedad (O) en el control. panel (1). Cuando la humedad ambiental actual alcance la humedad relativa establecida, se iluminará el indicador de humedad objetivo (P).

Presione el interruptor de encendido (A) nuevamente para apagar el dispositivo, el dispositivo dejará de funcionar, solo el indicador de encendido (R) parpadeará para informar que el dispositivo está en estado de espera. Cuando el dispositivo está encendido. El indicador de encendido (R) se ilumina.

Vaciar el tanque de agua

1. Si el tanque de agua (3) está lleno o el tanque de agua (3) no está instalado en la posición correcta, la indicación del tanque de agua lleno (Q) se enciende en el panel de control (1) y suena el timbre. El dispositivo dejará de funcionar automáticamente.

2. Cuando la luz indicadora del tanque de agua lleno (Q) parpadea, el dispositivo deja de funcionar hasta que el tanque de agua esté vacío o colocado en la posición correcta.
3. Para retirar el tanque de agua (3), tire del tanque de agua suavemente hacia usted sosteniendo las partes cóncavas del tanque de agua. Mira la imagen 3.
4. Para vaciar el tanque de agua (3), use un asa para transportarlo, luego inclínelo como se muestra en la imagen 4 y drene el agua lentamente. Luego, debe colocar el asa en posición horizontal antes de empujar suavemente el tanque (3) de regreso a su posición anterior dentro de la carcasa.
5. De vez en cuando es necesario limpiar el depósito de agua (6) por dentro. Para abrir el tanque de agua (3), ajuste la posición de la manija del tanque de agua a la forma de los orificios en dos piezas de plástico en las que está ensamblada la manija y expanda ambos bordes de la manija suavemente para desmontar la manija por completo. Ahora puede abrir la tapa del tanque de agua y limpiarlo con agua, jabón para platos y un paño suave. No desmonte ni levante el flotador (6) del depósito de agua (3). Mira la foto

Zumbador

Suena durante 20 segundos cuando se retira el tanque de agua (3) durante el funcionamiento.

Limpieza y mantenimiento

1. Apague el dispositivo y desconecte el enchufe antes de comenzar cualquier limpieza u otro mantenimiento de rutina.
2. Para evitar el riesgo de descarga eléctrica, nunca rocíe ni derrame agua sobre el deshumidificador al limpiarlo.
3. Apague el dispositivo y vacíe el agua del tanque antes de mover el dispositivo. Asegúrese de sujetar el mango mientras se mueve.
4. Limpie la carcasa del dispositivo con un paño suave y húmedo.
5. No desmonte el flotador (6) del depósito de agua (3).
6. Antes del funcionamiento continuo planificado durante un período prolongado, se requiere una verificación periódica, especialmente para el filtro de aire de malla (8), el filtro de carbón activado (11) y el tubo de drenaje (13), o similares.
7. Para limpiar o reemplazar los filtros:
 - desconectar el enchufe y sacar el depósito de agua (3)
 - quitar la carcasa del filtro (9) como se muestra en la figura 5
 - quitar el filtro de aire de malla (8) de la carcasa y retirar con cuidado el filtro de carbón activo (11)
 - extraiga el filtro HEPA (7) del dispositivo
 - cada dos semanas, limpie los tres filtros con una aspiradora o sacúdalos ligeramente. El rendimiento de la deshumidificación puede disminuir si los filtros están obstruidos con suciedad.
 - volver a colocar los filtros y montar de nuevo el portafiltros (9).
 Si los filtros están gravemente sucios, lávelos con agua que incluya detergente neutro, enjuáguelos bien con agua y déjelos hasta que se sequen.
8. No limpie el dispositivo con gasolina, diluyente o detergente líquido.
9. Antes de un almacenamiento prolongado: ate el cable de alimentación, vacíe el tanque de agua y límpielo con un paño suave, limpie y seque todos los filtros. Coloque el dispositivo en posición vertical para evitar un mal funcionamiento o un sonido anormal en el futuro, evite la exposición a la luz solar directa.

Solución de problemas: consulte la siguiente lista antes de contactar al vendedor:

1. Problema: no hay operación

Punto de verificación 1: ver si el enchufe está desconectado.

Solución 1: inserte el enchufe en una toma de corriente de forma completa y segura

Punto de comprobación 2: ver si el depósito de agua está lleno de agua

Solución 2: Vacíe el agua del tanque .

Punto de control 3: ver si el depósito de agua no está colocado correctamente en su posición .

Solución 3: coloque el tanque en el dispositivo correctamente en su posición

Punto de comprobación 4: compruebe si la tapa superior de plástico negro de salida de aire está cerrada

Solución 4: abra la tapa superior

2. Problema: la capacidad del deshumidificador es pequeña

Punto de control 1: ver si los filtros están sucios

Solución 1: Limpiar los filtros como se especifica en el capítulo Limpieza y Mantenimiento en el punto 7

Punto de control 2: ver si las aberturas de aire están obstruidas

Solución 2: eliminar los obstáculos de las aberturas de aire

Punto de verificación 3: vea si el deshumidificador está en modo de circulación de aire

Solución 3: cambie el modo de funcionamiento al modo deshumidificación

3. Problema: sonido fuerte durante el funcionamiento

Punto de comprobación 1: comprobar si el dispositivo está instalado correctamente

Solución 1: instale el dispositivo en un suelo nivelado y estable

4. Problema: la ropa lavada no se seca

Punto de control 1: ver si la ropa lavada no está expuesta al aire del dispositivo

Solución 1: Intente exponer la ropa lavada al flujo de aire.

Punto de control 2: ver si la temperatura ambiente es demasiado baja

Solución 2: la ropa lavada es difícil de secar en condiciones de baja temperatura

El dispositivo funciona correctamente cuando ocurre el siguiente fenómeno:

1.Descripción del fenómeno: la operación se detiene ocasionalmente

Motivo del fenómeno: el dispositivo se está descongelando.

2.Descripción del fenómeno: el volumen deshumidificado es pequeño

Motivo del fenómeno: El volumen del deshumidificador es menor cuando la temperatura ambiente es baja.

3.Descripción del fenómeno: la humedad en una habitación sigue siendo alta

Motivo del fenómeno: el tamaño de la habitación puede ser demasiado grande . Las puertas o las ventanas de la habitación podrán abrirse y / o cerrarse.

frecuentemente . El deshumidificador se utiliza cerca de un calentador de queroseno que emite vapor .

4.Descripción del fenómeno: mal olor durante la operación

Motivo del fenómeno: Las paredes , muebles u otros objetos emiten olores .

5.Descripción del fenómeno: el sonido se produce dentro del dispositivo.

Motivo del fenómeno: La circulación del refrigerante puede provocar ruidos hasta que se estabilice .

6.Descripción del fenómeno: queda agua en el tanque de agua.

Motivo del fenómeno: El agua queda porque el dispositivo se somete a una prueba de deshumidificación en la fábrica.

7.Descripción del fenómeno: suena el timbre.

Motivo del fenómeno: el timbre suena cuando el tanque de agua está lleno de agua .

PRECAUCIÓN: El agente refrigerante solo puede llenarse en fábrica.

DATOS TÉCNICOS:

Capacidad deshumidificar a 30°C / 80% RH): 25 litros / 24 horas

Capacidad deshumidificar a 27°C / 60% RH): 13 litros / 24 horas

Nivel de ruido: <= 48dB (A)

Capacidad del depósito de agua: 6,5 litros

Caudal de aire: 195 m3/hora

Peso del refrigerante R290: máx. 65 gramos

Potencia de entrada nominal: 320W

Máx. Potencia de entrada nominal: 420W

Fuente de alimentación: 220-240V ~50Hz

Precaución, riesgo de incendio.

NO perforo ni quemé.

Tenga en cuenta que es posible que el refrigerante no tenga olor.

La cantidad máxima de carga de refrigerante: 65 g.



Preocupación por el medio ambiente. Por favor, lleva las cajas de cartón a un sitio de reciclaje. Las bolsas de polietileno se deben tirar al cubo de la basura amarillo (para envases). El equipo gastado debe ser entregado en el punto de almacenamiento adecuado, porque las piezas que constituyen el equipo pueden suponer un peligro para el medio ambiente. Debes entregar el equipo Hay que devolver el equipo eléctrico con el fin de evitar su reutilización. Si en el equipo se encuentran pilas, hay que sacarlas y entregar por separado, en un punto de almacenamiento adecuado. No tires el equipo al contenedor para residuos urbanos!!

PORTUGUÊS

CONDIÇÕES GERAIS DE SEGURANÇA

INSTRUÇÕES IMPORTANTES DE SEGURANÇA LEIA COM ATENÇÃO E SALVE PARA O FUTURO

1. Antes de usar o dispositivo, leia o manual de operação e siga as instruções nele contidas. O fabricante não se responsabiliza por danos causados pelo uso do dispositivo contrário ao seu objetivo ou operação incorreta.
2. O dispositivo é apenas para uso doméstico. Não use para outros fins que não sejam para o fim a que se destina.
3. O dispositivo deve ser conectado apenas a uma tomada CA com 220 240V ~ 50Hz aterrada. Para aumentar a segurança operacional, vários dispositivos elétricos não devem ser conectados a um circuito de corrente ao mesmo tempo.
4. Tenha muito cuidado ao usar o dispositivo quando houver crianças por perto. Não

permita que crianças brinquem com o dispositivo, não permita que crianças ou pessoas não familiarizadas com o dispositivo o usem.

5. AVISO: Este equipamento pode ser usado por crianças acima de 8 anos de idade e pessoas com habilidades físicas, sensoriais ou mentais limitadas, ou pessoas que não têm experiência ou conhecimento do equipamento, se isso for feito sob a supervisão de uma pessoa responsável. por sua segurança ou tenham recebido informações sobre o uso seguro do dispositivo e estão cientes dos perigos de usá-lo. As crianças não devem brincar com o equipamento. A limpeza e manutenção do dispositivo não devem ser realizadas por crianças, a menos que tenham mais de 8 anos e essas atividades sejam realizadas sob supervisão.

6. Sempre desconecte o plugue de energia segurando o soquete com a mão após o uso. NÃO puxe pelo cabo de alimentação.

7. Não mergulhe o cabo, plugue e todo o dispositivo em água ou qualquer outro líquido. Não exponha o dispositivo a condições atmosféricas (chuva, sol, etc.) ou use em condições de alta umidade (banheiros, casas móveis úmidas).

8. Verifique periodicamente as condições do cabo de alimentação. Se o cabo de alimentação estiver danificado, ele deverá ser substituído por uma oficina especializada para evitar perigos.

9. Não use o aparelho com um cabo de alimentação danificado ou se ele caiu ou foi danificado de qualquer outra maneira ou se não estiver funcionando corretamente. Não repare o dispositivo, pois existe o risco de choque elétrico. Leve o dispositivo danificado a um centro de serviço apropriado para verificação ou reparo. Todos os reparos podem ser realizados apenas por pontos de serviço autorizados. Reparos executados incorretamente podem causar sérios perigos ao usuário.

10. Coloque o dispositivo em uma superfície fria e estável, longe de utensílios de cozinha quentes, como: fogão elétrico, queimador de gás, etc.

11. Certifique-se de que nada esteja bloqueando a entrada e saída de ar do dispositivo

12. Use o dispositivo apenas em uma superfície nivelada para evitar que a condensação se espalhe

13. Para fornecer proteção adicional, é aconselhável instalar um dispositivo de corrente residual (RCD) no circuito elétrico com uma corrente residual nominal que não exceda 30mA. Peça a um electricista para isso.

14. Limpe o filtro de ar regularmente. A frequência da limpeza depende da limpeza do ar.

15. Depois de desligar a máquina, aguarde pelo menos 5 minutos antes de ligá-la novamente.

16. Para uma desumidificação eficaz, deve-se usar um espaço de pelo menos 20 cm entre as paredes laterais dos dispositivos e os móveis ou cortinas comprimidos.

17. Para evitar o risco de incêndio ou explosão, não borrife o secador

18. Para usar as peças da caixa, não coloque o desumidificador perto de dispositivos

de aquecimento.

19. Remova a água coletada no tanque. Beber água acidentalmente ou usá-lo com outras pessoas pode causar doenças.
20. Não suporta dispositivos com a tampa traseira removida devido a peças quentes e em movimento.
21. Não use nenhum meio para realizar o processo de descongelamento ou operação que não seja o recomendado pelo fabricante.
22. O dispositivo deve estar disponível como parte de uma lista permanente de fontes de ignição, isto é, sem chama aberta, sem dispositivo de gás ativo ou sem aquecedor de dispositivo ativo.
23. Não fure ou fume.
24. Observe que os fabricantes de refrigeração não podem conter fragrâncias.

Antes da primeira utilização:

1. O desumidificador deve ser usado em uma superfície nivelada e estável, mantenha distâncias entre a unidade e outros objetos de acordo com a figura 1 para garantir uma eficiência adequada. Feche todas as janelas e portas da sala que você deseja desumidificar o ar.
2. Para evitar que a água congele, não use o desumidificador e a mangueira de drenagem em temperatura ambiente abaixo de 0 ° C
3. Não use o desumidificador externo. A exposição à luz solar direta ou chuva pode resultar em superaquecimento, choque elétrico e incêndio.
4. Não coloque o tanque de água no desumidificador para evitar derramamento de água dentro da unidade e deteriorar o isolamento.
5. Nunca tente usar o desumidificador para usos especiais, como desumidificação de alimentos ou preservação de objetos de arte, ou similares.
6. Não use o desumidificador em locais onde possam ocorrer vazamentos de óleo ou gás inflamável. Não use a unidade em locais sujeitos a produtos químicos.
7. Para drenagem contínua, verifique se a mangueira de drenagem está ajustada corretamente com inclinação.
8. Cuidado para que um aparelho de aquecimento não seja exposto ao vento pelo desumidificador.
9. Não use o desumidificador como cadeira ou apoio para os pés.
10. Não remova a alavanca de flutuação do tanque de água.
11. Não bloqueie as entradas e saídas de ar.
12. Não cubra a unidade com roupas lavadas.

Descrição do produto: Desumidificador de ar e purificador de ar AD7863 2 em 1

- | | |
|---|--------------------------------------|
| 1. Painel de controle | 2. Entrada de ar |
| 3. Tanque de água 6,5L | 4. Saída de ar |
| 5. Alça | 6. Flutuador |
| 7. Filtro de ar HEPA | 8. Pré-filtro de ar de malha lavável |
| 9. Carcaça do filtro | 10. Luz indicadora de umidade |
| 11. Filtro de carvão ativado | 12. Display digital frontal |
| 13. Furo para tubo para drenagem contínua de água | |

Painel de controle (1):

- | | |
|---|--|
| A. Botão liga / desliga | B. Botões mais e menos |
| C. Botão do temporizador 0-24 horas | D. Botão de velocidade do ventilador |
| E. Botão de modo | F. Indicador do modo de secar roupas |
| G. Indicador do modo de operação normal | H. Indicador do modo de circulação de ar |
| I. Indicador de modo automático | J. Indicação de autodegelo do dispositivo |
| K. Indicador de alta velocidade do ventilador | L. Indicador de baixa velocidade do ventilador |
| M. Indicador do temporizador | N. Indicador de temperatura |
| O. Indicador de umidade | P. Indicador de umidade alvo |
| Q. Indicador de tanque de água cheio | R. Indicador de energia |
| S. Display digital LED de umidade e temporizador e temperatura ambiente | |

CONDIÇÕES DE USO

Este desumidificador não é adequado para manter a umidade muito baixa, aproximadamente 50 % ou menos . Este desumidificador foi projetado para remover a umidade desconfortável do dia a dia e para ser utilizado na secagem auxiliar de roupas lavadas em ambientes internos . Isto não é adequado para manter a umidade muito baixa .

É normal que o aparelho produza calor durante o funcionamento e a temperatura ambiente suba de 1C a 4C, pois este aparelho não possui função de resfriamento . A temperatura aumenta enquanto o aparelho é operado em um armário ou algo semelhante . Além disso , a temperatura ambiente aumenta porque as portas e janelas estão fechadas e o calor é produzido por outros aparelhos na sala e pela radiação solar . Este desumidificador não pode ser aplicável para manter temperaturas extremamente baixas. A função deste desumidificador é bombear a alta umidade desagradável.

FUNÇÃO DE AUTO-DESCONGELAMENTO DO DISPOSITIVO

Quando o gelo se acumular nas serpentinas do evaporador dentro do dispositivo, a função de degelo automático será iniciada. O o compressor desligará e o ventilador continuará funcionando até que o gelo seja removido. Quando o dispositivo está funcionando em uma temperatura ambiente entre 5 graus Celsius e 12 graus Celsius , ele irá parar de descongelar por cerca de 3 minutos a cada 8 minutos. Quando o dispositivo estiver funcionando em uma temperatura ambiente entre 12 graus Celsius e 18 graus Celsius , ele irá parar de descongelar por cerca de 5 minutos a cada 25 minutos. Quando o dispositivo está funcionando em uma temperatura ambiente entre 18 graus Celsius e 23 grau Celsius ele irá parar para descongelar por cerca de 5 minutos a cada 120 minutos. Aguarde 3 minutos antes de retomar a operação. Depois que o compressor parar, ele não poderá reiniciar a operação até que 3 minutos tenham passado. O indicador (J) no painel de controle (1) fica aceso durante todo o tempo em que o autodegelo está ativo.

IMPORTANTE !

Tanto a função de desumidificação como a função de limpeza do ar param durante a operação de descongelamento . Não desconecte o plugue do aparelho nem desligue o aparelho durante o descongelamento .

Capacidade de desumidificação

1. A capacidade diária de desumidificação do desumidificador depende da temperatura ambiente e da umidade relativa. Em diferentes temperaturas e umidade relativa, pode ter diferentes capacidades de desumidificação.
2. Na mesma temperatura ambiente, a capacidade de desumidificação é maior em umidade relativa mais alta e a capacidade de desumidificação é menor em umidade relativa mais baixa. Na mesma umidade relativa, a capacidade de desumidificação é maior em temperaturas mais altas e a capacidade de desumidificação é menor em temperaturas mais baixas.
3. Se o desumidificador for colocado no gabinete, sua capacidade de desumidificação poderá diminuir bastante em um curto período após a operação devido à umidade no gabinete ter sido bastante reduzida.
4. Para 30°C / 27°C de temperatura ambiente e 80% / 60% de umidade relativa a capacidade de desumidificação é respectivamente de cerca de 25/13 litros de água quando a saída de ar está totalmente aberta.

Sistema de purificação de ar - filtragem em 3 estágios

O sistema foi projetado para remover partículas poluentes e odores do ar. O dispositivo inclui os seguintes filtros:

1. Pré-filtro de ar de malha lavável (8): use para filtrar poeira e cabelos no ar.
2. Filtro de carvão ativado: remove o odor causado por, por exemplo, cigarro, animal de estimação, etc.
3. Filtro HEPA H13: Filtra poeira, partículas poluentes e refresca o ar. O filtro HEPA H13 retém eficazmente 99,95% das partículas poluentes de tamanho até 0,3 micron no ar que flui. O filtro HEPA H13 é adequado para purificação do ar para quem sofre de alergias.

Operação

1. Coloque o dispositivo na vertical para evitar falhas de operação e sons incomuns. Mantenha distâncias entre outros objetos como mostrado na figura 1.
2. O filtro HEPA (7) é embalado em sacos de polietileno, remova o saco de polietileno antes de usar.
3. Abra a tampa preta na parte superior do dispositivo para permitir que o ar saia facilmente.
4. Conecte o dispositivo, o botão liga / desliga (A) está piscando no painel de controle (1), pressione-o para ligar o dispositivo. O display digital (S) mostrará o nível de umidade atual no ambiente. Ao mesmo tempo, a luz indicadora de umidade (10) acenderá na borda frontal superior do dispositivo.

Durante a operação, a luz indicadora de umidade mostra o nível atual de umidade no ambiente:

- Cor azul significa baixa umidade abaixo de 50% de umidade relativa
- A cor verde significa umidade média na faixa de 51% a 69% de umidade relativa
- A cor vermelha significa alta umidade acima de 70% de umidade relativa

Observe que o valor da umidade relativa tem tolerância de 3% quando acende a luz indicadora correspondente.

5. Pressione o botão de modo (E) no ciclo para escolher o modo de operação desejado entre:

- Modo roupa seca – pressione o botão de modo (E) uma vez, o indicador (F) acenderá. Para obter um rápido cumprimento da

função, o compressor funciona continuamente sem parar, exceto no caso do tanque de água (3) estar cheio. O ventilador mantém em alta velocidade o tempo todo.

- Modo de operação normal – pressione o botão de modo (E) novamente, o indicador (G) acenderá. Em operação normal, o compressor funciona. O usuário pode definir o nível de umidade alvo pressionando os botões mais e menos (3). A faixa de umidade definida é: 30% -80% com incremento de 5%. Quando a umidade desejada atinge, o compressor para de funcionar. O ventilador pode ser ajustado em alta e baixa velocidade de acordo com sua necessidade. Para escolher a velocidade do ventilador entre baixa e alta, pressione o botão (D), o indicador correspondente (K) para alta velocidade e (L) para baixa velocidade acenderá.

- Modo circulação de ar – pressione novamente o botão de modo (E), o indicador (H) acenderá. Neste modo o compressor não funciona, há apenas funcionamento do ventilador. Você pode ajustar a velocidade do ventilador entre: velocidade baixa e alta de acordo com suas necessidades.

- Modo automático — pressione o botão de modo (E) novamente, o indicador (I) acenderá. Neste modo, a umidade alvo padrão é 55%. Quando a umidade ambiente atinge 55%, o compressor para de funcionar, o ventilador continua funcionando apenas. Quando a umidade ambiente for superior a 55%, o compressor volta a funcionar.

No caso de corte de energia elétrica o aparelho possui função de memória e pode lembrar a última configuração.

Função de drenagem contínua

1. Se precisar desumidificar o ar por um longo período, você pode usar a função de drenagem contínua.

2. Antes da operação contínua por um longo período, é necessária uma verificação periódica, especialmente para o filtro de limpeza de ar, o tubo de drenagem ou algo semelhante.

3. Retire o tanque de água (3) da posição original, insira o tubo anexado no orifício para drenagem contínua de água (13), mostrado na figura 5.

4. Quando você define a umidade alvo no modo de desumidificação normal, você pode definir: 30-35-40-45-50-55-60-65-70-75-80%-CO-30% e assim por diante. "CO" significa modo de desumidificação contínua. Neste modo a velocidade do ventilador pode ser escolhida entre baixa ou alta velocidade.

5. Após finalizar a desumidificação contínua, desmonte a tubulação, posicione o reservatório de água (3) em seu lugar original e desligue o aparelho.

Mangueira de drenagem: comprimento: 30 cm, diâmetro interno: 17 mm, diâmetro externo: 19 mm.

Operação do temporizador - Função Delay Stop

Para configurar a função Timer OFF - DELAY STOP utilize o botão timer (C).

A função de desligamento do temporizador pode ser definida quando o dispositivo estiver em operação. Pressione o botão Timer (C), a indicação do timer (M) acenderá. O display digital LED (S) acende e aparece "00", deve-se pressionar os botões mais ou menos (B) para selecionar o tempo desejado para o aparelho desligar. Depois que o cronômetro for definido, a hora será exibida por 5 segundos e lembre-se. Depois que o cronômetro estiver configurado, para verificar o tempo restante, pressione o botão do cronômetro (C). O dispositivo desligará automaticamente após o tempo de configuração. Para reiniciar a função do temporizador é necessário pressionar continuamente o botão do temporizador (C) enquanto o valor do tempo estiver piscando, o valor do tempo será alterado para zero. O intervalo do temporizador é de 1 a 24 horas com intervalo de 1 hora.

Verificação da temperatura ambiente

Para verificar a temperatura ambiente atual, pressione o botão Mais por alguns segundos, quando o valor será exibido no display digital LED (S), ao mesmo tempo o indicador de temperatura (N) será exibido.

Verificação de umidade ambiente

Para verificar a umidade ambiente atual, observe o valor mostrado no display digital LED (S) ou o valor mostrado no display digital frontal (12), ao mesmo tempo o indicador de umidade (O) acenderá no controle painel (1). Quando a umidade ambiente atual atingir a umidade relativa definida, o indicador de umidade alvo (P) acenderá.

Pressione o botão liga / desliga (A) novamente para desligar o dispositivo, o dispositivo para de funcionar, apenas o indicador de energia (R) piscará para informar que o dispositivo está no status de espera. Quando o dispositivo está ligado. O indicador de energia (R) acende.

Esvaziar o tanque de água

1. Se o reservatório de água (3) estiver cheio ou o reservatório de água (3) não estiver instalado na posição correta, a indicação de reservatório de água cheio (Q) acende no painel de controle (1), a campainha soa. O dispositivo interromperá a operação automaticamente.

2. Quando a luz indicadora de tanque cheio de água (Q) estiver piscando, o dispositivo parará de funcionar até que o tanque de água esteja vazio ou colocado na posição correta.

3. Para remover o tanque de água (3), puxe-o suavemente em sua direção, segurando as partes côncavas do tanque de água. Veja a foto 3.

4. Para esvaziar o reservatório de água (3), utilize uma alça para carregá-lo, em seguida incline-o conforme mostrado na figura 4 e escoe a água lentamente. Em seguida, você deve colocar a alça na horizontal antes de empurrar suavemente o tanque (3) de volta à sua posição anterior dentro da caixa.
5. De tempos em tempos o reservatório de água (6) precisa ser limpo por dentro. Para abrir o tanque de água (3), ajuste a posição da alça do tanque de água no formato dos orifícios nas duas peças plásticas nas quais a alça está montada e expanda ambas as bordas da alça suavemente para desmontá-la completamente. Agora você pode abrir a tampa do reservatório de água e limpá-lo com água, detergente e pano macio. Não desmonte nem levante o flutuador (6) do tanque de água (3). Olhe para a foto

Campainha

Soa durante 20 segundos quando o tanque de água (3) é retirado durante a operação.

Limpeza e manutenção

1. Desligue o dispositivo e desconecte o plugue de alimentação antes de iniciar qualquer limpeza ou outra manutenção de rotina.
2. Para evitar o risco de choque elétrico, nunca borrife ou derrame água no desumidificador durante a limpeza.
3. Desligue o aparelho e esvazie a água do reservatório antes de mover o aparelho. Certifique-se de segurar a alça enquanto se move.
4. Limpe a caixa do dispositivo com um pano úmido e macio.
5. Não desmonte o flutuador (6) do reservatório de água (3).
6. Antes da operação contínua planejada por um longo período, é necessária uma verificação periódica, especialmente para o filtro de ar de malha (8), o filtro de carvão ativado (11) e o tubo de drenagem (13), ou similares.
7. Para limpar ou substituir os filtros:
 - desligue a ficha e retire o depósito de água (3)
 - remova a carcaça do filtro (9) conforme mostrado na figura 5
 - remova o filtro de ar de malha (8) da caixa e remova cuidadosamente o filtro de carvão ativado (11)
 - retire o filtro HEPA (7) do dispositivo
 - a cada duas semanas, limpe os três filtros com um aspirador ou dê leves batidinhas para sacudi-los. O desempenho da desumidificação pode diminuir se os filtros estiverem entupidos com sujeira
 - recolocar os filtros e montar novamente a carcaça do filtro (9).Se os filtros estiverem gravemente sujos, lave com água e detergente neutro, enxágue bem com água e deixe secar.
8. Não limpe o aparelho com gasolina, diluente ou detergente líquido.
9. Antes de um armazenamento mais prolongado: enrole o cabo de alimentação, esvazie o tanque de água e limpe-o com um pano macio, limpe e seque todos os filtros. Coloque o dispositivo na posição vertical para evitar mau funcionamento ou som anormal no futuro, evite a exposição à luz solar direta.

Solução de problemas: verifique a lista abaixo antes de entrar em contato com o vendedor:

1. Problema: nenhuma operação

Ponto de verificação 1: veja se o plugue de alimentação está desconectado.

Solução 1: insira o plugue em uma tomada elétrica de forma completa e segura

Ponto de verificação 2: veja se a caixa d'água está cheia de água

Solução 2: Esvazie a água do tanque .

Ponto de verificação 3: veja se o reservatório de água não está bem colocado .

Solução 3: Coloque o tanque no dispositivo corretamente na posição

Ponto de verificação 4: veja se a tampa superior de plástico preto da saída de ar está fechada

Solução 4: abra a tampa superior

2. Problema: a capacidade do desumidificador é pequena

Ponto de verificação 1: veja se os filtros estão sujos

Solução 1: Limpe os filtros conforme especificado no capítulo Limpeza e Manutenção no ponto 7

Ponto de verificação 2: veja se as aberturas de ar estão bloqueadas

Solução 2: remova obstáculos das aberturas de ar

Ponto de verificação 3: veja se o desumidificador está em modo de circulação de ar

Solução 3: Altere o modo de operação para modo desumidificação

3. Problema: som alto durante a operação

Ponto de verificação 1: verifique se o dispositivo está instalado corretamente

Solução 1: Instale o dispositivo em um piso nivelado e estável

4. Problema: panos lavados não secam

Ponto de verificação 1: veja se as roupas lavadas não ficam expostas ao ar do aparelho

Solução 1: Tente expor as roupas lavadas ao fluxo de ar

Ponto de verificação 2: veja se a temperatura ambiente está muito baixa

Solução 2: Roupas lavadas são difíceis de secar em condições de baixa temperatura

O dispositivo funciona corretamente quando ocorre o seguinte fenômeno:

1. Descrição do fenômeno: A operação para ocasionalmente

Razão do fenômeno: O aparelho está descongelando

2. Descrição do fenômeno: O volume desumidificado é pequeno

Razão do fenômeno: O volume do desumidificador é menor quando a temperatura ambiente está baixa.

3. Descrição do fenômeno: A umidade em uma sala ainda é alta

Razão do fenômeno: O tamanho da sala pode ser muito grande . As portas ou janelas da sala podem ser abertas e / ou fechadas freqüentemente . O desumidificador é usado próximo a um aquecedor a querosene que emite vapor .

4. Descrição do fenômeno: Mau cheiro durante a operação

Razão do fenômeno: O cheiro é emitido pelas paredes , móveis ou outros objetos .

5. Descrição do fenômeno: O som é produzido dentro do dispositivo

Razão do fenômeno: A circulação do refrigerante pode causar som até que esteja estável .

6. Descrição do fenômeno: Deixa água na caixa d'água

Motivo do fenômeno: A água sobra porque o aparelho foi submetido a teste de desumidificação na fábrica

7. Descrição do fenômeno: A campainha toca

Razão do fenômeno: A campainha soa quando o tanque de água está cheio de água .

CUIDADO: O agente refrigerante só pode ser abastecido pela fábrica.

DADOS TÉCNICOS:

Capacidade de desumidificação a 30°C / 80% UR): 25 litros / 24 horas

Capacidade de desumidificação a 27°C / 60% UR): 13 litros / 24 horas

Nível de ruído: <= 48dB (A)

Capacidade do tanque de água: 6,5 litros

Fluxo de ar: 195 m3/hora

Peso do líquido refrigerante R290: máx. 65 gramas

Potência de entrada nominal: 320W

Máx. Potência de entrada nominal: 420W

Fonte de alimentação: 220-240 V ~ 50 Hz



Cuidado, risco de incêndio.

NÃO fure ou queime.

Esteja ciente de que o refrigerante pode não conter odor.

A quantidade máxima de carga de refrigerante: 65g.



Proteção do meio ambiente. Rogamos, os embalagens de cartão destinem-se para papéis velhos. Os sacos de polietileno (PE) devem-se colocar em contenedores para material plástico. O dispositivo usado deve-se levar a um ponto de armazenamento adequado porque os componentes perigosos que ficam dentro do dispositivo podem ser perigosos para o meio ambiente. O dispositivo elétrico deve-se entregar de modo que se reduza a sua nova utilização e uso. Se no dispositivo há pilhas, devem-se tirar e levar a um ponto de armazenamento em separado. Não colocar o dispositivo em contenedores para resíduos municipais!!

LIETUVIŲ

BENDROSIS SAUGOS SĄLYGOS

SVARBIOS SAUGOS INSTRUKCIJOS ATSARGIAI Perskaitykite ir išsaugokite ateičiai

1. Prieš naudodamiesi prietaisu, perskaitykite naudojimo vadovą ir vykdykite jame pateiktas instrukcijas. Gamintojas neatsako už žalą, padarytą naudojant įrenginį ne pagal paskirtį ar netinkamai naudojant.
2. Prietaisas skirtas naudoti tik namuose. Nenaudokite kitiems tikslams, kurie nėra numatyti.
3. Prietaisą reikia prijungti tik prie įžeminto 220 240 V ~ 50 Hz lizdo. Norint padidinti eksploataavimo saugą, keli elektros prietaisai neturėtų būti jungiami prie vienos srovės grandinės tuo pačiu metu.
4. Būkite ypač atsargūs naudodamiesi prietaisu, kai šalia yra vaikai. Neleiskite vaikams žaisti su šiuo prietaisu, neleiskite vaikams ar žmonėms, nepažįstamiems prietaiso, juo naudotis.
5. **ISPĖJIMAS:** Šia įranga gali naudotis vyresni nei 8 metų vaikai ir ribotų fizinių, jutimo ar protinių galimybių žmonės arba žmonės, neturintys patirties ar žinių apie įrangą, jei

- tai atliekama prižiūrint atsakingam asmeniui. jų saugumui ar jiems buvo suteikta informacija apie saugų prietaiso naudojimą ir žino apie jo naudojimo pavojus. Vaikai neturėtų žaisti su įranga. Valyti ir prižiūrėti prietaisą neturėtų vaikai, išskyrus tuos atvejus, kai jie yra vyresni nei 8 metų, o šios veiklos atliekamos prižiūrint.
6. Po naudojimo visada atjunkite maitinimo kištuką, laikydami už rankos lizdą. **NENUDIRKITE** maitinimo laido.
 7. Nemerkite laido, kištuko ir viso prietaiso į vandenį ar kitą skystį. Saugokite prietaisą nuo atmosferos sąlygų (lietaus, saulės ir pan.) Ir nenaudokite didelės drėgmės sąlygomis (vonios kambariai, drėgni mobilūs namai).
 8. Periodiškai tikrinkite maitinimo laido būklę. Jei maitinimo laidas yra pažeistas, jį reikia pakeisti specializuotoje remonto dirbtuvėje, kad būtų išvengta pavojaus.
 9. Nenaudokite prietaiso su pažeistu maitinimo laidu, jei jis buvo numestas ar kitaip pažeistas, arba jis veikia netinkamai. Netaisykite prietaiso patys, nes kyla elektros smūgio rizika. Nuvežkite sugadintą prietaisą į tinkamą aptarnavimo centrą patikrinti ar pataisyti. Visus remonto darbus gali atlikti tik įgalioti techninės priežiūros punktai. Neteisingai atliktas remontas gali sukelti rimtą pavojų vartotojui.
 10. Padėkite prietaisą ant vėsių, stabilių paviršių, atokiau nuo karštų virtuvės prietaisų, tokių kaip: elektrinė viryklė, dujinis degiklis ir kt.
 11. Įsitinkinkite, kad niekas neužstoja prietaiso oro įleidimo ir išleidimo angos
 12. Naudokite prietaisą tik ant lygaus paviršiaus, kad nesusidarytų kondensatas
 13. Norint užtikrinti papildomą apsaugą, patartina į elektros grandinę įmontuoti likutinės srovės įtaisą (RCD), kurio vardinė likutinė srovė neviršytų 30mA. Dėl to kreipkitės į elektriką.
 14. Reguliariai valykite oro filtrą. Valymo dažnumas priklauso nuo oro švara.
 15. Išjungę mašiną, prieš vėl įjungdami, palaukite bent 5 minutes.
 16. Norint veiksmingai nusausinoti drėgnumą, tarp prietaisų šoninių sienelių ir suspaustų baldų ar užuolaidų turėtų būti naudojamas ne mažesnis kaip 20 cm tarpas.
 17. Kad išvengtumėte gaisro ar sprogo pavojaus, nepurkškite džiovintuvo
 18. Norėdami naudoti korpuso dalis, nedėkite sausintuvo šalia šildymo prietaisų.
 19. Pašalinkite iš rezervuaro surinktą vandenį. Netyčia gerdamas vandenį ar vartodamas jį su kitais žmonėmis, gali susirgti.
 20. Nepalaiko prietaisų, kurių nuimtas galinis dangtis yra dėl judančių ir karštų dalių.
 21. Atšildymui ar veikimui nenaudokite jokių kitų priemonių, išskyrus tas, kurias rekomenduoja gamintojas.
 22. Prietaisą turėtų būti galima įsigyti kaip nuolatinio uždegimo šaltinių sąrašo, t. Y. Be atviros liepsnos, be darbinio dujų įtaiso ar be darbinio prietaiso šildytuvo.
 23. Negalima pradurti ir nerūkyti.
 24. Atminkite, kad šaldymo įrenginių gamintojai neturi kvapiųjų medžiagų.

Prieš pirmąjį naudojimą:

1. Oro sausintuvą turi būti naudojamas ant lygaus ir stabilaus paviršiaus, kad būtų užtikrintas tinkamas efektyvumas, išlaikykite

- atstumus tarp įrenginio ir kitų objektų pagal 1 paveikslą. Uždarykite visus kambario, kuriame norite pašalinti orą, langus ir duris.
2. Kad vanduo neužšaltų, nenaudokite sausintuvo ir išleidimo žarnos, kai aplinkos temperatūra yra žemesnė nei 0 ° C.
3. Nenaudokite sausintuvo lauke. Dėl tiesioginių saulės spindulių ar lietaus gali perkaisti, kilti elektros smūgis ir kilti gaisras.
4. Nedėkite vandens rezervuaro ant sausintuvo, kad vanduo nepatektų į įrenginio vidų ir nesugadintų jo izoliacijos.
5. Niekada nemėginkite naudoti sausintuvo specialiam naudojimui, pavyzdžiui, maisto sausinimui, meno objektų konservavimui ar pan.
6. Nenaudokite sausintuvo ten, kur gali nutekėti alyva arba degios dujos. Nenaudokite įrenginio vietose, kuriose yra chemikalų.
7. Norėdami nuolat nusausinti, įsitinkinkite, kad išleidimo žarna nustatyta tinkamai su nuolydžiu.
8. Būkite atsargūs, kad šildymo prietaisais nepatektų vėjo iš sausintuvo.
9. Nenaudokite sausintuvo kaip kėdės ar kojos.
10. Nenuimkite plūdės svirties iš vandens rezervuaro.
11. Neužblokuokite oro įleidimo angų ir išleidimo angų.
12. Neuždenkite prietaiso skalbiamaiais drabužiais.

Produkto aprašymas: AD7863 2in1 oro sausintuvas ir oro valytuvas

- | | |
|---|---|
| 1. Valdymo skydelis | 2. Oro įleidimo anga |
| 3. Vandens bakas 6,5L | 4. Oro išleidimo anga |
| 5. Rankena | 6. Plūdė |
| 7. HEPA oro filtras | 8. Plaunamas tinklinis oro pirminis filtras |
| 9. Filtro korpusas | 10. Drėgmės indikatorius lemputė |
| 11. Aktyvintos anglies filtras | 12. Priekinis skaitmeninis ekranas |
| 13. Anga vamzdžiui į nuolatinį vandens nutekėjimą | |

Valdymo skydelis (1):

- | | |
|--|---|
| A. Maitinimo jungiklis | B. Pluso ir minuso mygtukai |
| C. Laikmačio 0–24 valandų mygtukas | D. Ventilatoriaus greičio mygtukas |
| E. Režimo mygtukas | F. Drabužių džiovinimo režimo indikatorius |
| G. Normalaus darbo režimo indikatorius | H. Oro cirkuliacijos režimo indikatorius |
| I. Automatinio režimo indikatorius | J. Įrenginio savaiminio atitirpimo indikatorius |
| K. Ventilatoriaus didelio greičio indikatorius | L. Mažo ventilatoriaus greičio indikatorius |
| M. Laikmačio indikatorius | N. Temperatūros indikatorius |
| O. Drėgmės indikatorius | P. Tikslinės drėgmės indikatorius |
| Q. Pilno vandens bako indikatorius | R. Maitinimo indikatorius |
| S. LED skaitmeninis drėgmės ir laikmačio bei kambario temperatūros ekranas | |

NAUDOJIMO SĄLYGOS

Šis sausintuvas netinka palaikyti labai žemą drėgmę, maždaug 50 % ar mažiau .

Šis oro sausintuvas skirtas pašalinti nepatogią drėgmę kasdieniame gyvenime ir naudoti pagalbiniam išskalbtų drabužių džiovinimui patalpose . Tai netinka labai žemai drėgmei palaikyti .

Normalu, kad prietaisais veikimo metu gamina šilumą ir kambario temperatūra pakyla nuo 1C iki 4C, nes šis įrenginys neturi vėsinimo funkcijos . Eksploatuojant spintoje ar pan., temperatūra pakyla . Be to , kambario temperatūra pakyla, nes uždaromos durys ir langai, o šilumą gamina kiti patalpoje esantys prietaisai bei saulės spinduliuotė . Šis sausintuvas negali būti pritaikytas itin žemai temperatūrai palaikyti. Šio sausintuvo funkcija yra išpumpuoti nemalonų, didelę drėgmę.

PRIETAISO SAVAITINIO ATITIIRDYMO FUNKCIJA

Kai ant prietaiso viduje esančių garintuvo gyvatukų susikaups šerkšnas, bus paleista automatinio atitirpinimo funkcija. The kompresorius išsijungs, o ventilatorius veiks tol, kol pašalinis šerkšnas. Kai įrenginys veikia kambario temperatūroje nuo 5 laipsnių Celsijaus iki 12 laipsnių Celsijaus , jis nustos atitirpti maždaug 3 minutes kas 8 minutes. Kai prietaisais veikia kambario temperatūroje tarp 12 Celsijaus laipsnis ir 18 Celsijaus laipsnio , jis nustos atitirpti maždaug 5 minutes kas 25 minutes. Kai prietaisais veikia kambario temperatūroje nuo 18 laipsnių Celsijaus ir 23 Celsijaus laipsnis jis nustos atitirpti maždaug 5 minutes kas 120 minučių. Prieš tęsdami darbą, palaukite 3 minutes. Kai kompresorius sustoja, jis negali vėl veikti kol praeis 3 minutės. Indikatorius (J) valdymo skydelyje (1) šviečia visą laiką, kai veikia savaiminis atitirpinimas.

SVARBU!

Atitirpinimo metu sustoja ir oro sausinimo funkcija, ir oro valymo funkcija .

Atitirpinimo metu neatjunkite prietaiso kištuko ir neišjunkite jo .

Sausinimo pajėgumas

1. Kasdienis sausintuvo sausinimo pajėgumas priklauso nuo kambario temperatūros ir santykinės drėgmės. Esant skirtingoms

temperatūroms ir santykiinei oro drėgmei, jis gali turėti skirtingą sausinimo pajėgumą.

2. Toje pačioje kambario temperatūroje, esant didesnei santykiinei oro drėgmei, sausinimo pajėgumas yra didesnis, o esant žemesnei santykiinei oro drėgmei – mažesnis. Esant tokiai pačiai santykiinei drėgmei, esant aukštesnei temperatūrai, sausinimo pajėgumas yra didesnis, o žemesnėje temperatūroje – mažesnis.

3. Jei oro sausintuvas dedamas į spintelę, jo sausinimo pajėgumas gali labai sumažėti per trumpą laiką po eksploataavimo, nes spintelėje labai sumažėjo drėgmė.

4. Esant 30°C / 27°C kambario temperatūrai ir 80% / 60% santykiinei oro drėgmei, sausinimo pajėgumas yra atitinkamai apie 25/13 litrų vandens, kai oro išleidimo anga yra visiškai atidaryta.

Oro valymo sistema – 3 pakopų filtravimas

Sistema skirta pašalinti ore esančias teršalų daleles ir kvapus. Įrenginyje yra šie filtrai:

1. Plaunamas tinklinis oro pirminis filtras (8): naudokite ore esančioms dulkėms ir plaukams filtruoti.

2. Aktyvintos anglies filtras: pašalinkite kvapą, kurį sukelia pvz., cigarečių, naminių gyvūnėlių ir pan.

3. HEPA filtras H13: Jis filtruoja dulkes, teršalų daleles ir gaivina orą. HEPA H13 filtras efektyviai sulaukia 99,95% teršalų dalelių, kurių dydis iki 0,3 mikrono tekančio oro sraute. HEPA H13 filtras tinkamas oro valymui alergiškiems žmonėms.

Operacija

1. Pastatykite įrenginį vertikaliai, kad išvengtumėte veikimo ir neįprasto garso. Laikykitės atstumų tarp kitų objektų, kaip parodyta 1 paveiksle.

2. HEPA filtras (7) supakuotas į maišelius, prieš naudodami išimkite maišelį.

3. Atidarykite juoda dangtelį įrenginio viršuje, kad oras lengvai išeitų.

4. Įjunkite įrenginį, maitinimo jungiklis (A) mirksi valdymo skydelyje (1), paspauskite jį, kad įjungtumėte įrenginį. Skaitmeninis ekranas (S) parodys esamą drėgmės lygį patalpoje. Tuo pačiu metu priekiniame viršutiniame įrenginio krašte užsidegs drėgmės indikatorius lemputė (10).

Veikimo metu drėgmės indikatorius lemputė rodo esamą drėgmės lygį patalpoje:

- Mėlyna spalva reiškia žemą drėgmę žemiau 50 % santykinio drėgnumo

- Žalia spalva reiškia vidutinę drėgmę nuo 51% iki 69% santykinės drėgmės

- Raudona spalva reiškia didelę drėgmę, viršijančią 70 % santykinės drėgmės

Atkreipkite dėmesį, kad santykinės drėgmės vertė turi 3% toleranciją, kai užsidega atitinkama indikacinė lemputė.

5. Paspauskite režimo mygtuką (E) ciklo metu, kad pasirinktumėte norimą veikimo režimą iš:

- Drabužių džiovinimo režimas – vieną kartą paspauskite režimo mygtuką (E), užsidegs indikatorius (F). Kad funkcija veiktų greitai, kompresorius dirba nuolat be sustojimo, išskyrus atvejus, kai vandens bakas (3) yra pilnas. Ventilatorius visą laiką veikia dideliu greičiu.

- Įprastas veikimo režimas – dar kartą paspauskite režimo mygtuką (E), užsidegs indikatorius (G). Esant normaliai eksploatacijai, veikia kompresorius. Vartotojas gali nustatyti tikslinį drėgmės lygį paspausdamas pliuso ir minuso mygtukus (3). Nustatytas drėgmės diapazonas yra: 30% -80% su 5% žingsniu. Kai pasiekama tikslinė drėgmė, kompresorius nustoja veikti. Ventilatorius gali būti nustatytas tiek dideliu, tiek mažu greičiu pagal jūsų poreikius. Norėdami pasirinkti ventilatoriaus greitį nuo mažo iki didelio, paspauskite mygtuką (D), užsidegs atitinkamas indikatorius (K), rodantis didelį greitį, ir (L) esant mažam greičiui.

- Oro cirkuliacijos režimas – dar kartą paspauskite režimo mygtuką (E), užsidegs indikatorius (H). Šiuo režimu kompresorius neveikia, veikia tik ventilatorius. Galite reguliuoti ventilatoriaus greitį tarp: mažo ir didelio greičio pagal savo poreikius.

- Automatinis režimas – dar kartą paspauskite režimo mygtuką (E), užsidegs indikatorius (I). Šiuo režimu numatytoji tikslinė drėgmė yra 55%. Kai patalpos drėgnumas pasiekia 55%, kompresorius nustoja veikti, ventilatorius veikia tik. Kai patalpos drėgnumas didesnis nei 55%, kompresorius vėl pradeda veikti.

Nutrūkus elektrai, įrenginys turi atminties funkciją ir gali prisiminti paskutinį nustatymą.

Nepertraukiamo drenažo funkcija

1. Jei reikia ilgą laiką sausinti orą, galite naudoti nuolatinio drenažo funkciją.

2. Prieš naudojant nepertraukiamą ilgą laiką, būtina periodiškai tikrinti oro švarų filtrą, išleidimo vamzdį ar pan.

3. Nuimkite vandens baką (3) iš pradinės padėties, pritvirtintą vamzdį įkiškite į nuolatinio vandens nutekėjimo angą (13). parodyta 5 paveiksle.

4. Kai nustatote tikslinę drėgmę įprastu sausinimo režimu, galite nustatyti: 30-35-40-45-50-55-60-65-70-75-80%-CO-30% ir pan. „CO“ reiškia nuolatinį drėgmės šalinimo režimą. Šiuo režimu ventilatoriaus greitį galima pasirinkti iš mažo arba didelio greičio.

5. Baigę nuolatinį drėkinimą, išardykite vamzdį, pastatykite vandens baką (3) į pradinę vietą ir išjunkite įrenginį.

Išleidimo žarna: ilgis: 30 cm, vidinis skersmuo: 17 mm, išorinis skersmuo: 19 mm.

Laikmačio veikimas – Delay Stop funkcija

Norėdami nustatyti laikmačio išjungimo funkciją – DELAY STOP, naudokite laikmačio mygtuką (C).

Laikmačio išjungimo funkciją galima nustatyti, kai įrenginys veikia. Paspauskite laikmačio mygtuką (C), užsidegs laikmačio indikatorius (M). Šviečia LED skaitmeninis ekranas (S) ir pasirodo „00“, spauskite pliuso arba minuso mygtukus (B), kad

pasirinktumėte norimą įrenginio išsijungimo laiką. Nustačius laikmatį, laikas bus rodomas 5 sekundes ir prisimins. Nustačius laikmatį, norėdami patikrinti kairįjį laiką, paspauskite laikmačio mygtuką (C). Praėjus nustatytam laikui, prietaisas išsijungs automatiškai. Norint iš naujo nustatyti laikmačio funkciją, reikia nuolat spausti laikmačio mygtuką (C), kol laiko reikšmė mirksi, laiko reikšmė bus pakeista į nulį. Laikmačio diapazonas yra nuo 1 iki 24 valandų su 1 valandos intervalu.

Kambario temperatūros tikrinimas

Norėdami patikrinti esamą kambario temperatūrą, keletą sekundžių spauskite Pliuso mygtuką, kol reikšmė bus rodoma LED skaitmeniniame ekrane (S), tuo pačiu metu bus rodomas temperatūros indikatorius (N).

Kambario drėgmės patikrinimas

Norėdami patikrinti esamą kambario drėgmę, pažiūrėkite į vertę, rodomą LED skaitmeniniame ekrane (S) arba į vertę, rodomą priekiniame skaitmeniniame ekrane (12), tuo pačiu metu valdymo pulte užsidegs drėgmės indikatorius (O). skydelis (1). Kai esama patalpos drėgmė pasiekė nustatytą santykinę drėgmę, užsidegs tikslinės drėgmės indikatorius (P).

Dar kartą paspauskite maitinimo jungiklį (A), kad išjungtumėte įrenginį, įrenginys nustos veikti, mirksės maitinimo indikatorius (R), pranešdamas, kad įrenginys veikia budėjimo režimu. Kai įrenginys įjungtas. Maitinimo indikatorius (R) šviečia.

Vandens bako ištuštinimas

1. Jei vandens bakas (3) yra pilnas arba vandens bakas (3) sumontuotas netinkamoje padėtyje, valdymo skydelyje (1) užsidega pilno vandens bako indikatorius (Q), pasigirsta garsinis signalas. Prietaisas automatiškai nustos veikti.
2. Kai mirksi pilno vandens bako indikatorius lemputė (Q), prietaisas nustoja veikti, kol vandens bakas bus tuščias arba nustatytas į reikiamą padėtį.
3. Norėdami išimti vandens bakelį (3), švelniai patraukite vandens bakelį link savęs, laikydami už įgaubtų vandens bakelio dalių. Pažiūrėkite į 3 paveikslėlį.
4. Norėdami ištuštinti vandens baką (3), neškite jį už rankenos, tada pakreipkite, kaip parodyta 4 paveiksle, ir lėtai išleiskite vandenį. Tada, prieš švelniai stumdami baką (3) atgal į ankstesnę padėtį korpuso viduje, padėkite rankeną lygiai.
5. Kartkartėmis reikia išvalyti vandens bako (6) vidų. Norėdami atidaryti vandens baką (3), sureguliuokite vandens bako rankenos padėtį pagal skylutes dviejuose plastikinėse dalyse, prie kurių pritvirtinta rankena, ir švelniai išplėskite abu rankenos kraštus, kad rankena būtų visiškai išardyta. Dabar galite atidaryti vandens bako dangtį ir išvalyti vandens baką vandeniu su indų muilu ir minkšta šluoste. Neardykite ir nekelkite plūdės (6) iš vandens bako (3). Pažiūrėk į paveikslėlį

Skambutis

Kai veikimo metu išimamas vandens bakelis (3), skamba 20 sekundžių.

Valymas ir priežiūra

1. Prieš pradėdami bet kokį valymą ar kitą įprastinę priežiūrą, išjunkite įrenginį ir atjunkite maitinimo kištuką.
2. Kad išvengtumėte elektros smūgio pavojaus, valydami niekada nepurkškite ir nepilkite vandens ant sausintuvo.
3. Prieš perkeldami prietaisą, išjunkite prietaisą ir išpilkite vandenį iš vandens bakelio. Judėdami būtinai laikykite už rankenos.
4. Nuvalykite prietaiso korpusą drėgna ir minkšta šluoste.
5. Neardykite plūdės (6) iš vandens bako (3).
6. Prieš planuojant nepertraukiamą ilgesnį laiką, būtina periodiškai tikrinti tinklinį oro filtrą (8), aktyvintos anglies filtrą (11) ir nutekėjimo vamzdį (13) ar pan.
7. Norėdami išvalyti arba pakeisti filtrus:
 - ištraukite kištuką ir išimkite vandens baką (3)
 - nuimkite filtro korpusą (9), kaip parodyta 5 pav
 - išimkite tinklinį oro filtrą (8) iš korpuso ir švelniai išimkite aktyvintos anglies filtrą (11)
 - ištraukite iš prietaiso HEPA filtrą (7).
8. Kas dvi savaites išvalykite visus tris filtrus dulkių siurbliu arba lengvai patapšnokite, kad išsikratytumėte. Drėgmės pašalinimo efektyvumas gali sumažėti, jei filtrai yra užsikimšę nešvarumu
 - įdėkite filtrus atgal ir vėl sumontuokite filtro korpusą (9).Jei filtrai labai užsiteršę, nuplaukite vandeniu, įskaitant neutralų ploviklį, gerai nuplaukite vandeniu ir palikite, kol išdžius.
8. Nevalykite prietaiso benzinu, skiedikliu ar skystu plovikliu.
9. Prieš ilgesnį laikymą; suriškite maitinimo laidą, ištuštinkite vandens baką ir nuvalykite minkšta šluoste, išvalykite ir išdžiovinkite visus filtrus. Pastatykite įrenginį vertikaliajoje padėtyje, kad ateityje išvengtumėte gedimų ar neįprasto garso, venkite tiesioginių saulės spindulių.

Trikčių šalinimas: prieš susisiekdami su pardavėju patikrinkite toliau pateiktą sąrašą:

1.Problema: jokios operacijos

1 patikrinimo taškas: pažiūrėkite, ar maitinimo kištukas atjungtas.

1 sprendimas: iki galo ir patikimai įkiškite kištuką į elektros lizdą

- 2 patikrinimo taškas: pažiūrėkite , ar vandens bakas pilnas vandens
- 2 sprendimas: išpilkite vandenį iš bako .
- 3 patikrinimo taškas: patikrinkite, ar vandens bakas nėra tinkamai nustatytas .
- 3 sprendimas: tinkamai nustatykite baką prie įrenginio
- 4 patikrinimo taškas: patikrinkite, ar uždarytas viršutinis dangtis, pagamintas iš juodo plastiko, oro išleidimo angos
- 4 sprendimas: atidarykite viršutinį dangtį
- 2. Problema: sausintuvo talpa maža
- 1 patikrinimo taškas: pažiūrėkite, ar filtrai nešvarūs
- 1 sprendimas: išvalykite filtrus, kaip nurodyta 7 punkte skyriuje „Valymas ir priežiūra“.
- 2 patikrinimo taškas: patikrinkite, ar oro angos neužsikimšusios
- 2 sprendimas: pašalinkite kliūtis nuo oro angų
- 3 patikrinimo taškas: pažiūrėkite, ar oro sausintuvus veikia oro cirkuliacijos režimu
- 3 sprendimas: pakeiskite veikimo režimą į sausinimo režimą
- 3. Problema: garsus garsas veikiant
- 1 patikrinimo taškas: patikrinkite, ar įrenginys tinkamai sumontuotas
- 1 sprendimas: sumontuokite įrenginį ant lygių ir stabilių grindų
- 4. Problema: išskalbtos šluostės nedžiovinamos
- 1 patikrinimo taškas: patikrinkite, ar išskalbtų drabužių nepateks į prietaiso orą
- 1 sprendimas: pabandykite išskalbtus drabužius paveikti oro srautu
- 2 patikrinimo taškas: patikrinkite, ar kambario temperatūra nėra per žema
- 2 sprendimas: išskalbtus drabužius sunku išdžiovinti žemoje temperatūroje

Įrenginys tinkamai veikia, kai įvyksta šis reiškinys:

- 1.Fenomeno aprašymas: Veikimas retkarčiais sustoja
- Reiškinio priežastis: prietaisas atitirpsta
- 2.Fenomeno aprašymas: Išsausintas tūris yra mažas
- Reiškinio priežastis: Sumažėjęs oro sausintuvo tūris, kai kambario temperatūra žema.
- 3.Reiškinio aprašymas: Patalpoje vis dar didelė drėgmė
- Reiškinio priežastis: kambarys gali būti per didelis . Patalpos durys arba langai gali būti atidaryti ir / arba uždaryti dažnai . Drėgmės surinkėjas naudojamas šalia žibalinio šildytuvo, kuris išskiria garus .
- 4.Fenomeno aprašymas: Blogas kvapas eksploatacijos metu
- Reiškinio priežastis: nuo sienų , baldų ar kitų daiktų sklinda kvapas .
- 5.Fenomeno aprašymas: Garsas sklinda įrenginyje
- Reiškinio priežastis: Šaltnešio cirkuliacija gali skleisti garsą, kol jis tampa stabilus .
- 6.Fenomeno aprašymas: Vandens talpykloje liko vandens
- Reiškinio priežastis: Vanduo liko, nes gamykloje įrenginys buvo išbandytas drėgmės pašalinimo
- 7.Fenomeno aprašymas: Skamba garsinis signalas
- Reiškinio priežastis: pasigirsta garsinis signalas, kai vandens bakas yra pilnas vandens

ATSARGIAI! Šaldymo agentą gali užpildyti tik gamykla.

TECHNINIAI DUOMENYS:

- Drėgmės šalinimo pajėgumas esant 30°C / 80% RH): 25 litrai / 24 val.
- Drėgmės šalinimo pajėgumas esant 27°C / 60% RH: 13 litrų / 24 val.
- Triukšmo lygis: ≤ 48dB (A)
- Vandens bako talpa: 6,5 litro
- Oro srautas: 195 m³ / val
- R290 aušinimo skysčio svoris: maks. 65 gramai
- Nominali įvesties galia: 320W
- Maks. Nominali įvesties galia: 420W
- Maitinimas: 220-240V ~50Hz



Atsargiai, gaisro pavojus.
NEGALIMA pradurti ir nedeginti.
 Atminkite, kad šaltnešis neturi kvapo.
 Didžiausias šaltnešio įkrovos kiekis: 65 g.



Rūpinantis aplinka. Kartono pakuotes atiduoti į makulatūrą. Polietileno (PE) maišelius mesti į plastikui skirtą konteinerį. Susidėvėjusį prietaisą atiduoti į atitinkamą atliekų surinkimo vietą, nes prietaise esančios pavojingos medžiagos gali kelti grėsmę aplinkai. Elektrinį prietaisą atiduoti tokį, kad nebūtų galima jo pakartotinai naudoti ir panaudoti. Jeigu prietaise yra baterijos, būtina jas išimti ir atskirai atiduoti į atliekų surinkimo vietą. Nemesti prietaiso į buitinių atliekų konteinerį!

VISPĀRĪGIE DROŠĪBAS NOSACĪJUMI

SVARĪGAS DROŠĪBAS INSTRUKCIJAS RŪPĪGI LASĪT UN SAUDZĒT NĀKOTNĒM

1. Pirms ierīces izmantošanas izlasiet lietošanas instrukciju un ievērojiet tajā sniegtos norādījumus. Izgatavotājs nav atbildīgs par zaudējumiem, kas radušies, izmantojot ierīci pretēji paredzētajam mērķim vai nepareizu darbību.
2. Ierīce paredzēta tikai lietošanai mājās. Nelietojiet citiem mērķiem, kas nav paredzēti paredzētajam mērķim.
3. Ierīce jāpievieno maiņstrāvas kontaktligzdai tikai ar iezemētu 220 240 V ~ 50Hz. Lai palielinātu ekspluatācijas drošību, vairākas elektriskās ierīces nedrīkst būt savienotas vienā strāvas ķēdē vienlaikus.
4. Esiet īpaši piesardzīgs, lietojot ierīci, kad tuvumā ir bērni. Neļaujiet bērniem spēlēties ar ierīci, neļaujiet to lietot bērniem vai cilvēkiem, kuri to nepazīst.
5. BRĪDINĀJUMS. Šo aprīkojumu var izmantot bērni, kas vecāki par 8 gadiem, un cilvēki ar ierobežotām fiziskām, maņu vai garīgajām spējām vai cilvēki, kuriem nav pieredzes vai zināšanu par šo aprīkojumu, ja tas tiek veikts atbildīgas personas uzraudzībā. Viņu drošībai vai viņiem ir piešķirta informācija par ierīces drošu lietošanu un viņi apzinās tās lietošanas bīstamību. Bērni nedrīkst spēlēt ar aprīkojumu. Ierīces tīrīšanu un apkopi nedrīkst veikt bērni, ja vien viņi ir vecāki par 8 gadiem un šīs darbības tiek veiktas uzraudzībā.
6. Pēc lietošanas vienmēr atvienojiet strāvas kontaktdakšu, turot kontaktligzdu ar roku. NEvelciet strāvas vadu.
7. Neiegremdējiet kabeli, kontaktdakšu un visu ierīci ūdenī vai citā šķidrumā. Nepakļaujiet ierīci atmosfēras iedarbībai (lietus, saule utt.) Vai nelietojiet paaugstināta mitruma apstākļos (vannas istabas, mitras pārvietojamās mājas).
8. Periodiski pārbaudiet strāvas vada stāvokli. Ja strāvas vads ir bojāts, tas jāmaina specializētā remontdarbnīcā, lai izvairītos no briesmām.
9. Nelietojiet ierīci ar bojātu strāvas vadu, ja tā ir nomesta vai citādi bojāta, vai arī tā nedarbojas pareizi. Neuzlabojiet ierīci pats, jo pastāv elektriskās strāvas trieciena risks. Nogādājiet bojāto ierīci pārbaudei vai labošanai atbilstošā servisa centrā. Visus remontdarbus drīkst veikt tikai pilnvaroti servisa punkti. Nepareizi veikts remonts var radīt nopietnas briesmas lietotājam.
10. Novietojiet ierīci uz vēsas, stabilas virsmas, prom no karstām virtuves ierīcēm, piemēram, elektriskās plīts, gāzes degļa utt.
11. Pārliedzieties, ka nekas neliedz ierīces gaisa ieplūdi un izplūdi
12. Izmantojiet ierīci tikai uz līdzenas virsmas, lai novērstu kondensāta izliešanu
13. Lai nodrošinātu papildu aizsardzību, ieteicams elektriskajā ķēdē uzstādīt atlikušās strāvas ierīci (RCD) ar nominālo atlikušo strāvu, kas nepārsniedz 30mA. Par to jautājiet elektriķim.
14. Regulāri notīriet gaisa filtru. Tīrīšanas biežums ir atkarīgs no gaisa tīrības.

15. Pēc mašīnas izslēgšanas nogaidiet vismaz 5 minūtes, pirms to atkal ieslēdzat.
16. Efektīvai gaisa mitrināšanai starp ierīču sānu sienām un saspīestajām mēbelēm vai aizkariem jāizmanto vismaz 20 cm atstarpe.
17. Lai izvairītos no ugunsgrēka vai eksplozijas riska, nesmidziniet žāvētāju
18. Lai izmantotu korpusa detaļas, nenovietojiet sausinātāju sildīšanas ierīču tuvumā.
19. Izņemiet no tvertnes savāktu ūdeni. Ja nejauši dzerat ūdeni vai lietojat to kopā ar citiem cilvēkiem, tas var izraisīt slimības.
20. Neatbalsta ierīces ar aizmugures pārsegu kustīgu un karstu detaļu dēļ.
21. Atkausēšanas vai darbības procesa veikšanai nelietojiet citus līdzekļus, izņemot tos, kurus ieteicis ražotājs.
22. Ierīcei jābūt pieejamai pastāvīga aizdedzes avotu saraksta ietvaros, t.i., bez atklātas liesmas, bez darbīgas gāzes ierīces vai bez darba ierīces sildītāja.
23. Neuzdurt un nesmēķēt.
24. Lūdzu, ņemiet vērā, ka saldēšanas iekārtu ražotāji nedrīkst saturēt aromātu.

Pirms pirmās lietošanas:

1. Sausinātājs jāizmanto uz līdzenas un stabilas virsmas, lai nodrošinātu piemērotu efektivitāti, ievērojiet attālumus starp vienību un citiem objektiem saskaņā ar 1. attēlu. Aizveriet visus telpas logus un durvis, no kurām vēlaties mitrināt gaisu.
2. Lai nepieļautu ūdens sasaldāšanu, nelietojiet sausinātāju un kanalizācijas šūteni apkārtējās vides temperatūrā zem 0 ° C.
3. Nelietojiet sausinātāju ārpusē. Tiešas saules gaismas vai lietus iedarbība var izraisīt pārkaršanu, elektriskās strāvas triecienu un ugunsgrēku.
4. Nelieciet ūdens tvertni uz sausinātāja, lai izvairītos no jebkādas ūdens izliešanas ierīces iekšpusē un pasliktinātu izolāciju.
5. Nekādā gadījumā nemēģiniet izmantot sausinātāju īpašiem nolūkiem, piemēram, pārtikas sausināšanai vai mākslas priekšmetu konservēšanai vai tamlīdzīgi.
6. Nelietojiet sausinātāju vietā, kur var notikt eļļas vai viegli uzliesmojošas gāzes noplūde. Nelietojiet ierīci vietās, kas pakļautas ķīmiskām vielām.
7. Nepārtrauktas iztukšošanas gadījumā pārliecinieties, ka iztukšošanas šūtene ir pareizi iestatīta ar slīpumu.
8. Esiet piesardzīgs, lai sildīšanas ierīce neitku pakļauta vēja iedarbībai no sausinātāja.
9. Nelietojiet sausinātāju kā krēslu vai kāju.
10. Neizņemiet pludiņa sviru no ūdens tvertnes.
11. Neaizsprostojiet gaisa ieplūdes atveres un izplūdes atveres.
12. Nepārkļāviet ierīci ar mazgātām drēbēm.

Produkta apraksts: AD7863 2in1 gaisa sausinātājs un gaisa attīrītājs

- | | |
|--|---------------------------------------|
| 1. Vadības panelis | 2. Gaisa ieplūde |
| 3. Ūdens tvertne 6,5L | 4. Gaisa izplūde |
| 5. Rokturis | 6. Pludiņš |
| 7. HEPA gaisa filtrs | 8. Mazgājams sieta gaisa priekšfiltrs |
| 9. Filtra korpus | 10. Mitruma indikators |
| 11. Aktivās ogles filtrs | 12. Priekšējais digitālais displejs |
| 13. Caurums caurulei nepārtrauktai ūdens novadīšanai | |

Vadības panelis (1):

- | | |
|--|---|
| A. Strāvas slēdzis | B. Plusa un mīnusa pogas |
| C. Taimera 0-24 stundu poga | D. Ventilatora ātruma poga |
| E. Režīma poga | F. Sauso apģērbu režīma indikators |
| G. Normāla darba režīma indikators | H. Gaisa cirkulācijas režīma indikators |
| I. Automātiskā režīma indikators | J. Ierīces pašsaldēšanas indikators |
| K. Ventilatora ātrgaitas indikators | L. Ventilatora zema ātruma indikators |
| M. Taimera indikators | N. Temperatūras indikators |
| O. Mitruma indikators | P. Mērķa mitruma indikators |
| Q. Pilnas ūdens tvertnes indikators | R. Jaudas indikators |
| S. LED digitālais mitruma un taimera un telpas temperatūras displejs | |

LIETOŠANAS NOSACĪJUMI

Šis gaisa sausinātājs nav piemērots ļoti zema mitruma uzturēšanai aptuveni 50 % vai mazāk .

Šis gaisa sausinātājs ir paredzēts, lai noņemtu neērto mitrumu ikdienas dzīvē un izmantotu izmazgātu apģērbu žāvēšanai telpās . Tas nav piemērots ļoti zema mitruma uzturēšanai .

Tas ir normāli, ka ierīce darbības laikā rada siltumu un telpas temperatūra paaugstinās par 1C līdz 4C, jo šai ierīcei nav dzesēšanas funkcijas . Temperatūra kļūst augstāka, kamēr to darbina skapī vai tamlīdzīgi . Turklāt istabas temperatūra paaugstinās , jo durvis un logi ir aizvērti un siltums tiek ražots no citām telpā esošajām ierīcēm un saules starojuma . Šo gaisa mitrinātāju nevar izmantot, lai uzturētu ārkārtīgi zemu temperatūru. Šī gaisa mitrinātāja funkcija ir atsūknēt nepatīkamo, augsto mitrumu.

IERĪCES PAŠATDALUSĒŠANAS FUNKCIJA

Kad uz iztvaicētāja spirālēm ierīces iekšpusē sakrājas sarma, tiks ieslēgta automātiskā atkausēšanas funkcija. The kompresors izslēgsies un ventilators turpinās darboties, līdz tiek noņemts sals. Kad ierīce darbojas istabas temperatūrā no 5 grādiem pēc Celsija līdz 12 grādiem pēc Celsija tas pārtrauks atkausēt apmēram 3 minūtes ik pēc 8 minūtēm. Kad ierīce darbojas istabas temperatūrā no 12 grādi pēc Celsija un 18 Celsija grādu , tas pārtrauks atkausēt apmēram 5 minūtes ik pēc 25 minūtēm. Kad ierīce darbojas istabas temperatūrā starp 18 grādiem pēc Celsija un 23 grādu pēc Celsija tas pārtrauks atkausēt apmēram 5 minūtes ik pēc 120 minūtēm. Uzgaidiet 3 minūtes pirms darbības atsākšanas. Pēc tam, kad kompresors ir apstājies, tas nevar atsākt darbību līdz ir pagājušas 3 minūtes. Indikators (J) uz vadības paneļa (1) deg visu laiku, kamēr ir aktivizēta pašatkausēšana.

SVARĪGS !

Atkausēšanas darbības laikā apstājas gan sausināšanas funkcija, gan gaisa attīrīšanas funkcija .

Atkausēšanas laikā neatvienojiet ierīces kontaktdakšu un neizslēdziet ierīci .

Mitruma noņemšanas spēja

1. Sausinātāja ikdienas sausināšanas jauda ir atkarīga no telpas temperatūras un relatīvā mitruma. Pie dažādām temperatūrām un relatīvā mitruma tam var būt atšķirīga mitruma noņemšanas spēja.
2. Tajā pašā telpas temperatūrā sausināšanas jauda ir lielāka, ja relatīvais mitrums ir augstāks, un sausināšanas jauda ir zemāka, ja relatīvais mitrums ir zemāks. Tajā pašā relatīvajā mitrumā mitruma noņemšanas jauda ir augstāka augstākā temperatūrā, un sausināšanas jauda ir zemāka zemākā temperatūrā.
3. Ja gaisa sausinātājs ir ievietots skapī, tā sausināšanas jauda var ievērojami samazināties īsā laika periodā pēc darbības, jo mitrums skapī ir ievērojami samazināts.
4. Pie 30°C / 27°C istabas temperatūras un 80% / 60% relatīvā mitruma mitruma noņemšanas jauda ir attiecīgi aptuveni 25/13 litri ūdens, kad gaisa izplūde ir pilnībā atvērta.

Gaisa attīrīšanas sistēma - 3 pakāpju filtrēšana

piesārņojošo daļiņu un smaku noņemšanai gaisā. Ierīce ietver šādus filtrus:

1. Mazgājams sieta gaisa priekšfiltrs (8): izmantojiet putekļu un matu filtrēšanai gaisā.
2. Aktīvās ogles filtrs: noņemiet smaku, ko izraisa, piemēram, cigarete, mājdzīvnieks utt.
3. HEPA filtrs H13: tas filtrē putekļus, piesārņojošās daļiņas un atsvaidzina gaisu. HEPA H13 filtrs plūstošajā gaisā efektīvi aiztur 99,95% piesārņojošo daļiņu, kuru izmērs ir līdz 0,3 mikroniem. HEPA H13 filtrs ir piemērots gaisa attīrīšanai alerģijas slimniekiem.

Darbība

1. Lūdzu, novietojiet ierīci vertikāli, lai izvairītos no nepareizas darbības un neparastas skaņas. Ievērojiet attālumus starp citiem objektiem, kā parādīts 1. attēlā.
2. HEPA filtrs (7) ir iesaiņots maisiņos, lūdzu, pirms lietošanas izņemiet to.
3. Atveriet melno vāku ierīces augšpusē, lai gaisa varētu viegli izplūst.
4. Pievienojiet ierīci kontaktlīdzdai, vadības panelī (1) mirgo barošanas slēdzis (A), nospiediet to, lai ieslēgtu ierīci. Digitālais displejs (S) parādīs pašreizējo mitruma līmeni telpā. Tajā pašā laikā ierīces priekšējā augšējā malā iedegsies mitruma indikators (10).

Darbības laikā mitruma indikators rāda pašreizējo mitruma līmeni telpā:

- Zilā krāsa nozīmē zemu mitrumu zem 50% relatīvā mitruma
 - Zaļā krāsa nozīmē vidēju mitrumu diapazonā no 51% līdz 69% relatīvā mitruma
 - Sarkanā krāsa nozīmē augstu mitruma līmeni virs 70% relatīvā mitruma
- Lūdzu, ņemiet vērā, ka relatīvā mitruma vērtībai ir 3% pielāide, kad iedegas atbilstošā indikācijas gaisma.

5. Ciklā nospiediet režīma pogu (E), lai izvēlētos vēlamo darbības režīmu starp:

- Žāvēšanas režīms – nospiediet režīma pogu (E) vienu reizi, indikators (F) iedegsies. Lai nodrošinātu ātru funkciju izpildi, kompresors strādā nepārtraukti bez apstāšanās, izņemot gadījumu, ja ūdens tvertne (3) ir pilna. Ventilators visu laiku uztur lielu ātrumu.
- Normāls darbības režīms – vēlreiz nospiediet režīma pogu (E), iedegsies indikators (G). Normālas darbības apstākļos darbojas kompresors. Lietotājs var iestatīt mērķa mitruma līmeni, nospiežot plusa un mīnusa pogas (3). Iestatītais mitruma diapazons ir:

30%-80% ar 5% soli. Sasniedzot mērķa mitrumu, kompresors pārstāj darboties. Ventilatoru var iestatīt gan uz lielu, gan uz mazu ātrumu atbilstoši jūsu vajadzībām. Lai izvēlētos ventilatora ātrumu starp zemu un augstu, nospiediet pogu (D), tiks izgaismots atbilstošais indikators (K) lielam ātrumam un (L) zēmam ātrumam.

- Gaisa cirkulācijas režīms – vēlreiz nospiediet režīma pogu (E), iedegsies indikators (H). Šajā režīmā kompresors nedarbojas, darbojas tikai ventilators. Jūs varat pielāgot ventilatora ātrumu no: zema un liela ātruma atbilstoši savām vajadzībām.

- Automātiskais režīms – vēlreiz nospiediet režīma pogu (E), iedegsies indikators (I). Šajā režīmā noklusējuma mērķa mitrums ir 55%. Kad telpas mitrums sasniedz 55%, kompresors pārstāj darboties, ventilators turpina darboties. Kad telpas mitrums pārsniedz 55%, kompresors atsāk darboties.

Elektrības padeves pārtraukuma gadījumā ierīcei ir atmiņas funkcija un tā var atcerēties pēdējo uzstādīšanu.

Nepārtraukta drenāžas funkcija

1. Ja jums ir nepieciešams ilgstoši sausināt gaisu, varat izmantot nepārtrauktas drenāžas funkciju.

2. Pirms ilgstošas nepārtrauktas darbības ir nepieciešama periodiska pārbaude, īpaši gaisa tīram filtram, kanalizācijas caurulei vai tamlīdzīgam.

3. Izņemiet ūdens tvertni (3) no sākotnējās pozīcijas, ievietojiet pievienoto cauruli caurumā nepārtrauktai ūdens novadīšanai (13). parādīts 5. attēlā.

4. Kad iestatāt mērķa mitrumu parastā mitruma noņemšanas režīmā, varat iestatīt: 30-35-40-45-50-55-60-65-70-75-80%-CO-30% un tā tālāk. "CO" nozīmē nepārtrauktas mitruma samazināšanas režīmu. Šajā režīmā ventilatora ātrumu var izvēlēties starp zemu vai lielu ātrumu.

5. Pēc nepārtrauktas mitrināšanas pabeigšanas izjauciet cauruli, novietojiet ūdens tvertni (3) tās sākotnējā vietā un izslēdziet ierīci. Drenāžas šļūtene: garums: 30 cm, iekšējais diametrs: 17 mm, ārējais diametrs: 19 mm.

Taimera darbība - Delay Stop funkcija

Lai iestatītu taimera IZSLĒGŠANAS funkciju - DELAY STOP, izmantojiet taimera pogu (C).

Taimera izslēgšanas funkciju var iestatīt, kad ierīce darbojas. Nospiediet taimera pogu (C), iedegsies taimera indikators (M). LED digitālais displejs (S) iedegas un parādās "00", nospiediet plusa vai mīnusa pogas (B), lai izvēlētos vēlamo ierīces izslēgšanas laiku. Kad taimeris ir iestatīts, laiks tiks parādīts 5 sekundes un atcerēsies. Kad taimeris ir iestatīts, lai pārbaudītu kreiso laiku, nospiediet taimera pogu (C). Ierīce automātiski izslēgsies pēc iestatīšanas laika. Lai atiestatītu taimera funkciju, ir nepārtraukti jānospiež taimera poga (C), kamēr laika vērtība mirgo, laika vērtība tiks nomaiņāta uz nulli. Taimera diapazons ir no 1 līdz 24 stundām ar 1 stundas intervālu.

Telpas temperatūras pārbaude

Lai pārbaudītu pašreizējo telpas temperatūru, nospiediet plus pogu uz dažām sekundēm, kad vērtība tiks parādīta LED digitālajā displejā (S), tajā pašā laikā tiks parādīts temperatūras indikators (N).

Telpas mitruma pārbaude

Lai pārbaudītu telpas pašreizējo mitrumu, skatiet vērtību, kas parādīta LED digitālajā displejā (S) vai priekšējā digitālajā displejā (12), tajā pašā laikā uz vadības pults iedegsies mitruma indikators (O). panelis (1). Kad esošais telpas mitrums sasniedz iestatīto relatīvo mitrumu, iedegsies mērķa mitruma indikators (P).

Vēlreiz nospiediet barošanas slēdzi (A), lai izslēgtu ierīci, ierīce pārstāj darboties, tikai mirgos strāvas indikators (R), lai informētu, ka ierīce atrodas gaidstāves režīmā. Kad ierīce ir ieslēgta. Jaudas indikators (R) deg.

Ūdens tvertnes iztukšošana

1. Ja ūdens tvertne (3) ir pilna vai ūdens tvertne (3) nav uzstādīta pareizajā pozīcijā, pilnas ūdens tvertnes indikators (Q) iedegas vadības panelī (1), atskan skaņas signāls. Ierīce automātiski pārtrauks darbību.

2. Kad mirgo pilnas ūdens tvertnes indikators (Q), ierīce pārtrauc darbību, līdz ūdens tvertne ir tukša vai iestatīta pareizajā pozīcijā.

3. Lai izņemtu ūdens tvertni (3), lūdzu, uzmanīgi pavelciet ūdens tvertni pret sevi, turot ūdens tvertnes ieliektās daļas. Apskatiet 3. attēlu.

4. Lai iztukšotu ūdens tvertni (3), izmantojiet rokturi tās pārnēsāšanai, pēc tam nolieciet to, kā parādīts 4. attēlā, un lēnām izlejiet ūdeni. Pēc tam rokturis jānovieto plakani, pirms uzmanīgi nospiežat tvertni (3) atpakaļ iepriekšējā pozīcijā korpusa iekšpusē.

5. Ik pa laikam ūdens tvertnes (6) iekšpuse ir jāiztīra. Lai atvērtu ūdens tvertni (3), noregulējiet ūdens tvertnes roktura stāvokli atbilstoši caurumu formai divās plastmasas daļās, pie kurām rokturis ir pieslēgts, un uzmanīgi izvēršiet abas roktura malas, lai rokturis pilnībā izjauktu. Tagad varat atvērt ūdens tvertnes vāku un iztīrīt ūdens tvertni ar ūdeni ar trauku ziepēm un mikstu drāniņu. Neizjauciet un neceliet pludīņu (6) no ūdens tvertnes (3). Paskatieties uz attēlu

Zummers

Tas atskan 20 sekundes, kad darbības laikā tiek izņemta ūdens tvertne (3).

Tīrīšana un apkope

1. Izslēdziet ierīci un atvienojiet strāvas kontaktakšu, pirms sākat tīrīšanu vai citu kārtējo apkopi.
 2. Lai izvairītos no elektriskās strāvas trieciena riska, tīrīšanas laikā nekādā gadījumā neapsmidziniet un neizlejiet to ar ūdeni.
 3. Pirms ierīces pārvietošanas izslēdziet ierīci un iztukšojiet ūdeni no ūdens tvertnes. Kustības laikā noteikti turiet rokturi.
 4. Noslaukiet ierīces korpusu ar mitru un mīkstu drānu.
 5. Neizjauciet pludiņu (6) no ūdens tvertnes (3).
 6. Pirms plānotas ilgstošas nepārtrauktas darbības, ir nepieciešama periodiska pārbaude, it īpaši sieta gaisa filtram (8), aktīvās ogles filtram (11) un drenāžas caurulei (13) vai tamlīdzīgi.
 7. Lai notīrītu vai nomainītu filtrus:
 - atvienojiet kontaktakšu un izņemiet ūdens tvertni (3)
 - noņemiet filtra korpusu (9), kā parādīts 5. attēlā
 - izņemiet sieta gaisa filtru (8) no korpusa un uzmanīgi izņemiet aktīvās ogles filtru (11)
 - izvelciet no ierīces HEPA filtru (7).
 - ik pēc divām nedēļām notīriet visus trīs filtrus ar putekļu sūcēju vai viegli nosietiet tos, lai tos izkراتītu. Sausināšanas veiktspēja var samazināties, ja filtri ir aizsērējuši ar netīrumiem
 - novietojiet filtrus atpakaļ un atkal salieciet filtra korpusu (9).
- Ja filtri ir nopietni netīri, mazgājiet tos ar neitrālu mazgāšanas līdzekli, labi izskalojiet ar ūdeni un atstājiet, līdz tie nožūst.
8. Netīriet ierīci ar benzīnu, šķīdinātāju vai šķidru mazgāšanas līdzekli.
 9. Pirms ilgākas uzglabāšanas: salieciet kopā strāvas vadu, iztukšojiet ūdens tvertni un noslaukiet to ar mīkstu drāniņu, notīriet un nosusiniet visus filtrus. Novietojiet ierīci vertikālā stāvoklī, lai turpmāk izvairītos no darbības traucējumiem vai neparastas skaņas, izvairieties no tiešas saules gaismas iedarbības.

Problēmu novēršana: pārbaudiet tālāk norādīto sarakstu, pirms sazināties ar pārdevēju:

1. Problēma: nav operācijas
 - 1. pārbaudes punkts: pārbaudiet, vai strāvas kontaktakša ir atvienota.
 - 1. risinājums: pilnībā un droši ievietojiet kontaktakšu elektrības kontaktligzdā
 - 2. pārbaudes punkts: pārbaudiet, vai ūdens tvertne ir pilna ar ūdeni
 - 2. risinājums: iztukšojiet ūdeni no tvertnes .
 - 3. pārbaudes punkts: pārbaudiet, vai ūdens tvertne nav pareizi iestāta pozīcijā .
 - 3. risinājums: iestatiet tvertni uz ierīci pareizi
 - 4. pārbaudes punkts: pārbaudiet, vai gaisa izplūdes atveres augšējais vāks, kas izgatavots no melnas plastmasas, ir aizvērts
 - 4. risinājums: atveriet augšējo vāku
2. Problēma: gaisa sausinātāja jauda ir maza
 - 1. pārbaudes punkts: pārbaudiet, vai filtri nav netīri
 - 1. risinājums: notīriet filtrus, kā norādīts 7. punkta nodaļā Tīrīšana un apkope
- Pārbaudes punkts 2: pārbaudiet, vai gaisa atveres nav aizsprostotas
 - 2. risinājums: noņemiet šķēršļus no gaisa atverēm
 - 3. pārbaudes punkts: pārbaudiet, vai gaisa sausinātājs ir gaisa cirkulācijas režīmā
 - 3. risinājums: mainiet darbības režīmu uz sausināšanas režīmu
3. Problēma: skaļa skaņa darbības laikā
 - 1. pārbaudes punkts: pārbaudiet, vai ierīce ir pareizi uzstādīta
 - 1. risinājums: uzstādiet ierīci uz līdzenas un stabilas grīdas
 - 4. Problēma: izmazgātās drānas netiek žāvētas
 - 1. pārbaudes punkts: pārbaudiet, vai izmazgātās drēbes nav pakļautas gaisam no ierīces
 - 1. risinājums: mēģiniet pakļaut izmazgātās drēbes gaisa plūsmai
 - 2. pārbaudes punkts: pārbaudiet, vai telpas temperatūra nav pārāk zema
 - 2. risinājums. Izmazgātās drēbes ir grūti izžāvēt zemas temperatūras apstākļos

Ierīce darbojas pareizi, ja notiek šāda parādība:

1. Fenomena apraksts: Darbība laiku pa laikam apstājas
Parādības iemesls: ierīce atkausē
2. Fenomena apraksts: Sausinātais apjoms ir mazs
Parādības iemesls: gaisa sausinātāja tilpums ir mazāks, ja telpas temperatūra ir zema.
3. Fenomena apraksts: Mitrums telpā joprojām ir augsts
Parādības iemesls: telpas izmērs var būt pārāk liels . Telpas durvis vai logus var atvērt un / vai aizvērt bieži . Mitruma atīrītājs tiek izmantots tuvu petrolejas sildītājam, kas izdala tvaikus .
4. Fenomena apraksts: Slikta smaka darbības laikā
Parādības iemesls: no sienām , mēbelēm vai citiem priekšmetiem izdalās smaka .
5. Fenomena apraksts: Skaņa tiek radīta ierīcē
Parādības iemesls: Aukstumaģenta cirkulācija var izraisīt skaņu, līdz tā ir stabila .

- 6.Fenomena apraksts: Ūdens ir atstāts ūdens tvertnē
Parādības iemesls: Ūdens ir palicis, jo iekārtai rūpnīcā ir veikta mitruma samazināšana
- 7.Fenomena apraksts: Skan zūmurs
Parādības iemesls: Atskan skaņas signāls, kad ūdens tvertne ir pilna ar ūdeni .

UZMANĪBU! Dzesēšanas aģentu var iepildīt tikai rūpnīcā.

TEHNISKIE DATI:

Mitruma noņemšanas jauda pie 30°C / 80% RH: 25 litri / 24 stundas
Mitruma noņemšanas jauda pie 27°C / 60% RH: 13 litri / 24 stundas
Troksņa līmenis: <= 48dB (A)
Ūdens tvertnes tilpums: 6,5 litri
Gaisa plūsma: 195 m³ / stundā
R290 dzesēšanas šķidruma svars: maks. 65 grammi
Nominālā ieejas jauda: 320W
Maks. Nominālā ieejas jauda: 420W
Barošana: 220-240V ~50Hz



Piesardzība, ugunsbīstamība.
NAV caurdurt un nededzināt.
Ņemiet vērā, ka dzesēšanas šķidrumam nedrīkst būt smakas.
Maksimālais dzesēšanas šķidruma uzlādes daudzums: 65 g.



Apkārtējās vides aizsardzība. Kartona iepakojumu, lūdzu, nododiet atsevišķai pārstrādei. Polietilēna maisiņus (PE) izmest plastmasas izstrādājumiem paredzētajos konteineros. Lietotās elektropreces nododiet attiecīgajos pieņemšanas punktos. Ierīcē satur bīstamas sastāvdaļas, kas var izraisīt draudus apkārtējai videi. Elektroierīce jānodod tā, lai ierobežotu tās atkārtotu izmantošanu. Ja ierīcē atrodas baterijas, izņemiet tās un nododiet pieņemšanas punktā atsevišķi. Produktu neizmest sadzīves atkritumu konteinerā!

EESTI

ÜLDISED OHUTUSTINGIMUSED

OLULISED OHUTUSJUHISED LUGEGE ETTEVAATUST JA HOIDKE TULEVIKKU

1. Enne seadme kasutamist lugege kasutusjuhendit ja järgige selles sisalduvaid juhiseid. Tootja ei vastuta kahjude eest, mis on põhjustatud seadme eesmärgipärasest kasutamisest või ebaõigest kasutamisest.
2. Seade on ette nähtud ainult koduseks kasutamiseks. Ärge kasutage muuks otstarbeks kui otstarbeks.
3. Seadme toiteallikat tuleks ühendada ainult maandatud 220-240 V ~ 50Hz sagedusega. Tööohutuse suurendamiseks ei tohiks mitu vooluahelat üheaegselt ühendada.
4. Kui olete läheduses, kasutage seadet eriti ettevaatlikult. Ärge lubage lastel seadmega mängida, ärge lubage lastel ega inimestel, kes pole seadmega tuttavad, seda kasutada.
5. HOIATUS. Seda seadet võivad kasutada üle 8-aastased lapsed ja piiratud füüsilise, sensoorse või vaimse võimekusega inimesed või inimesed, kellel pole seadme kasutamise kohta kogemusi ega teadmisi, kui seda tehakse vastutava isiku järelevalve all. nende ohutuse tagamiseks või neile on antud teavet seadme ohutu kasutamise kohta ja nad on teadlikud selle kasutamisega seotud ohtudest. Lapsed ei tohiks varustusega mängida. Seadme puhastamist ja hooldamist tohivad teha ainult lapsed, välja arvatud juhul, kui nad on üle 8 aasta vanad ja neid toiminguid teostatakse järelevalve all.
6. Ühendage toitepistik alati lahti, hoides pärast kasutamist pistikupesast käega. **ÄRGE** tõmmake toitejuhtmest.
7. Ärge kastke kaablit, pistikut ja kogu seadet vette ega muusse vedelikku. Ärge jätke seadet atmosfääriolude (vihm, päike jne) kätte ega kasutage kõrge õhuniiskusega

tingimustes (vannituba, niiske liikuv kodu).

8. Kontrollige perioodiliselt toitejuhtme seisukorda. Kui toitejuhe on kahjustatud, peaks selle ohu vältimiseks välja vahetama spetsialiseeritud remonditöökojas.

9. Ärge kasutage seadet kahjustatud toitejuhtmega, kui see on maha kukkunud või muul viisil kahjustatud või kui see ei tööta korralikult. Ärge parandage seadet ise, kuna seal võib tekkida elektrilöögi oht. Viige kahjustatud seade kontrollimiseks või parandamiseks vastavasse teeninduskeskusesse. Kõiki remonditöid tohivad teha ainult selleks volitatud teeninduspunktid. Valesti tehtud remonditööd võivad kasutajale põhjustada tõsiseid ohte.

10. Asetage seade jahedale, kindlale pinnale, eemal kuumadest köögiseadmetest, nagu näiteks: elektripliit, gaasipõleti jne.

11. Veenduge, et miski ei blokeeri seadme õhu sisse- ja väljalaskeava

12. Kasutage seadet ainult tasasel pinnal, et vältida kondensaadi väljavoolamist

13. Täiendava kaitse tagamiseks on soovitatav paigaldada vooluahelasse jääkvoolu seade (RCD), mille nimijäätvool ei ületa 30mA. Küsige seda elektrikult.

14. Puhastage regulaarselt õhufiltrit. Puhastamise sagedus sõltub õhu puhtusest.

15. Pärast masina väljalülitamist oodake enne sisselülitamist vähemalt 5 minutit.

16. Tõhusa õhuniiskuse vähendamiseks tuleks seadmete külgeinte ja kokkusurutud mööbli või kardinate vahel kasutada vähemalt 20 cm pikkust tühikut.

17. Tule- või plahvatusohu vältimiseks ärge pihustage kuivatit

18. Korpuse osade kasutamiseks ärge pange õhukuivatit kütteseadmete lähedusse.

19. Eemaldage mahutisse kogutud vesi. Vee tahtmatu joomine või selle kasutamine koos teiste inimestega võib põhjustada haigusi.

20. Ei toeta seadmeid, mille tagakaas on liikuvate ja kuumade osade tõttu eemaldatud.

21. Sulamis- või tööprotsesside läbiviimiseks kasutage ainult tootja soovitatud vahendeid.

22. Seade peaks olema kättesaadav osana pidevast süüteallikate loendist, st ilma lahtise leegi, töötava gaasiseadme või töötava kütteseadmeta.

23. Ärge torgake ega suitsetage.

24. Pange tähele, et külmutusseadmete tootjad ei tohi lõhnaaineid sisaldada.

Enne esimest kasutamist:

1. Kuivatit tuleb kasutada tasasel ja stabiilsel pinnal. Sobiva tõhususe tagamiseks hoidke üksuse ja muude objektide vahel vahemaad vastavalt pildile 1. Sulgege kõik ruumi aknad ja ukсед, kus soovite õhku kuivatada.

2. Vee külmumise vältimiseks ärge kasutage õhukuivatit ja äravooluvoolikut ümbritseva õhu temperatuuril alla 0 ° C.

3. Ärge kasutage õhukuivatit väljas. Otsene päikesevalgus või vihm võivad põhjustada ülekuumenemist, elektrilööki ja tulekahju.

4. Ärge pange veemahuti õhukuivatisse, et vältida vee sissevoolamist seadmesse ja soojustuse kahjustamist.

5. Ärge kunagi proovige kasutada õhukuivatit spetsiaalseks otstarbeks, näiteks toidu kuivatamiseks või kunstiesemete säilitamiseks vms.

6. Ärge kasutage õhukuivatit, kui õli või tuleohtlik gaas võib lekkida. Ärge kasutage seadet kemikaalidega kokkupuutuvates kohtades.

7. Pideva tühjendamise korral veenduge, et tühjendusvoolik on kaldega korralikult kinnitatud.

8. Olge ettevaatlik, et kütteseadet ei oleks kuivatit tuule käes.

9. Ärge kasutage õhukuivatit toolina ega jalgadena.

10. Ärge eemaldage ujukikangi veemahutist.

11. Ärge blokeerige õhu sisselaskeavasid ja väljalaskeavasid.
12. Ärge katke seadet pestud riietega.

Tootekirjeldus: AD7863 2in1 õhukuivati ja õhupuhasti

1. Juhtpaneel
2. Õhu sisselaskeava
3. Veepaak 6,5L
4. Õhu väljalaskeava
5. Käepide
6. Ujuk
7. HEPA õhufilter
8. Pestav võrgust õhu eelfilter
9. Filtri korpus
10. Niiskuse märgutuli
11. Aktiivsõefilter
12. Eesmine digitaalne ekraan
13. Toru auk pideva vee äravoolu jaoks

Juhtpaneel (1):

- | | |
|---|---------------------------------------|
| A. Toitelüliti | B. Pluss- ja miinusnupud |
| C. Taimeri 0-24 tunni nupp | D. Ventilatori kiiruse nupp |
| E. Režiimi nupp | F. Kuiva riie režiimi indikaator |
| G. Tavalise töörežiimi indikaator | H. Õhuringluse režiimi indikaator |
| I. Automaatrežiimi indikaator | J. Seadme isesulatusnäidik |
| K. Ventilatori suure kiiruse näidik | L. Ventilatori aeglase kiiruse näidik |
| M. Taimeri indikaator | N. Temperatuuri indikaator |
| O. Niiskuse indikaator | P. Sihtniiskuse indikaator |
| Q. Täis veepaagi indikaator | R. Toitenäidik |
| S. Niiskuse ja taimeri ning ruumitemperatuuri digitaalne LED-ekraan | |

KASUTUSTINGIMUSED

See õhukuivati ei sobi õhuniiskuse väga madalaks hoidmiseks umbes 50 % või alla selle .

See õhukuivati on mõeldud igapäevaelus ebamugava niiskuse eemaldamiseks ja kasutamiseks pestud riie täiendavaks kuivatamiseks siseruumides . See ei sobi õhuniiskuse väga madalaks hoidmiseks .

On normaalne, et seade toodab töötamise ajal soojust ja toatemperatuur tõuseb 1C kuni 4C, kuna sellel seadmel puudub jahutusfunktsioon . Kapis vms kasutamisel tõuseb temperatuur kõrgemaks . Lisaks tõuseb toatemperatuur , kuna ukсед ja aknad on suletud ning soojust toodavad teised ruumis olevad seadmed ja päikesekiirgus . Seda õhukuivatit ei saa kasutada äärmiselt madala temperatuuri hoidmiseks. Selle õhukuivati funktsioon on ebameeldiva kõrge õhuniiskuse väljapumpamine.

SEADME ISESULATUSFUNKTSIOON

Kui härmatis koguneb seadme sees olevatele aurustispiraalidele, käivitub automaatne sulatusfunktsioon. The Kompessor lülitub välja ja ventilator jätkab tööd kuni härmatise eemaldamiseni. Kui seade töötab toatemperatuuril vahemikus 5 kuni 12 kraadi Celsiuse järgi sulab see umbes 3 minutiks iga 8 minuti järel. Kui seade töötab toatemperatuuril vahemikus 12 kraadi Celsiuse järgi ja 18 Celsiuse kraadi juures peatub sulamine umbes 5 minutit iga 25 minuti järel. Kui seade töötab toatemperatuuril vahemikus 18 kraadi Celsiuse järgi ja 23 Celsiuse kraadi see lõpetab sulamise umbes 5 minutiks iga 120 minuti järel. Oodake 3 minutit enne töö jätkamist. Pärast kompressori seiskumist ei saa see tööd uuesti käivitada kuni on möödunud 3 minutit. Näidik (J) juhtpaneelil (1) põleb kogu aeg, kui isesulatus on aktiivne.

TÄHTIS!

Nii niiskuse eemaldamise funktsioon kui ka õhu puhastamise funktsioon peatuvad sulatamise ajal .

Ärge ühendage seadme pistikut lahti ega lülitage seadet sulatamise ajal välja .

Niiskuse eemaldamise võime

1. Õhukuivati igapäevane niiskuse eemaldamise võimsus sõltub ruumi temperatuurist ja suhtelisest õhuniiskusest. Erinevate temperatuuride ja suhtelise õhuniiskuse korral võib sellel olla erinev niiskuse eemaldamise võime.
2. Samal ruumitemperatuuril on suurema suhtelise õhuniiskuse korral niiskuse eemaldamise võime suurem ja madalama suhtelise õhuniiskuse korral väiksem. Sama suhtelise õhuniiskuse korral on kõrgemal temperatuuril kuivatamisvõime suurem ja madalamal temperatuuril väiksem.
3. Kui õhukuivatit asetatakse kappi, võib selle kuivatamisvõime pärast töötamist lühikese aja jooksul oluliselt väheneda, kuna kapis on õhuniiskus oluliselt vähenenud.
4. 30°C / 27°C toatemperatuuri ja 80% / 60% suhtelise õhuniiskuse korral on õhukuivatamisvõimsus vastavalt umbes 25/13 liitrit vett, kui õhu väljalaskeava on täielikult avatud.

Õhupuhastussüsteem - 3-astmeline filtreerimine

saasteainete osakeste ja lõhnade eemaldamiseks õhust. Seade sisaldab järgmisi filtreid:

1. Pestav võrgust õhu eelfilter (8): kasutage tolmu ja juuste filtreerimiseks õhus.

2. Aktiivsõefilter: eemalda nt sigareti, lemmiklooma vms tekitatud lõhn.
3. HEPA-filtri H13: see filtreerib tolmu, saasteosakesed ja värskendab õhku. HEPA H13 filter hoiab tõhusalt 99,95% kuni 0,3 mikroni suurustest saasteosakestest voolavas õhus. HEPA H13 filter sobib õhu puhastamiseks allergikutele.

Operatsioon

1. Palun asetage seade püsti, et vältida töö katkemist ja ebatavalist heli. Hoidke teiste objektide vahel vahemaad, nagu näidatud pildil 1.

2. HEPA-filtri (7) on pakitud polükottidesse, eemaldage see enne kasutamist.

3. Avage seadme ülasaosas olev must kaas, et õhk saaks kergesti välja.

4. Ühendage seade vooluvõrku, toitelüliti (A) vilgub juhtpaneelil (1), vajutage seda seadme sisselülitamiseks. Digitaalekraan (S) näitab ruumi hetke niiskustaset. Samal ajal süttib seadme ülemises esiservas niiskuse indikaatorituli (10).

Töötamise ajal näitab niiskuse indikaatorituli hetke niiskustaset ruumis:

- Sinine värv tähendab madalat õhuniiskust alla 50% suhtelisest õhuniiskusest

- Roheline värv tähendab keskmist õhuniiskust vahemikus 51% - 69% suhtelist õhuniiskust

- Punane värv tähendab kõrget õhuniiskust üle 70% suhtelisest õhuniiskusest

Pange tähele, et suhtelise niiskuse väärtus on 3% tolerantsiga, kui vastav märgutuli süttib.

5. Vajutage tsüklis režiiminuppu (E), et valida soovitud töörežiim järgmistest vahel:

- Kuivate riide režiim – vajutage režiiminuppu (E) üks kord, näidik (F) süttib. Funktsiooni kiireks täitmiseks töötab kompressor pidevalt ilma peatumata, välja arvatud juhul, kui veepaak (3) on täis. Ventilator töötab kogu aeg suurel kiirusel.

- Tavaline töörežiim – vajutage uuesti režiiminuppu (E), näidik (G) süttib. Normaalsel tööel kompressor töötab. Kasutaja saab määrata õhuniiskuse sihttaseme, vajutades pluss- ja miinusnuppe (3). Seadistatud niiskustaseme vahemik on: 30%-80% 5% sammuga.

Sihtniiskuse saavutamisel lõpetab kompressor töötamise. Ventilatorit saab vastavalt vajadusele seadistada nii suurele kui ka madalale kiirusel. Ventilatori kiiruse madala ja suure vahel valimiseks vajutage nuppu (D), süttib vastav indikaator (K) suure kiiruse jaoks ja (L) madala kiiruse jaoks.

- Õhuringlusrežiim – vajutage uuesti režiiminuppu (E), indikaator (H) süttib. Selles režiimis kompressor ei tööta, töötab ainult ventilator. Saate reguleerida ventilatori kiirust vastavalt oma vajadustele madala ja suure kiiruse vahel.

- Automaatrežiim – vajutage uuesti režiiminuppu (E), näidik (I) süttib. Selles režiimis on vaikimisi sihtniiskuse 55%. Kui ruumi niiskuse jõuab 55% -ni, lakkab kompressor töötamast, ventilator töötab ainult. Kui ruumi õhuniiskuse on üle 55%, hakkab kompressor uuesti tööle.

Elektrikatkestuse korral on seadmel määlufunktsioon ja see suudab meeles pidada viimast seadistust.

Pidev drenaažifunktsioon

1. Kui teil on vaja õhku pikka aega kuivatada, võite kasutada pidevat äravoolu funktsiooni.

2. Enne pikaajalist pidevat kasutamist tuleb perioodiliselt kontrollida, eriti õhupuhastusfiltrit, äravoolutoru vms.

3. Võtke veepaak (3) algsest asendist ära, sest seadme kinnitatud toru pideva vee äravoolu avasse (13) näidatud pildil 5.

4. Kui määrate normaalse niiskuse eemaldamise režiimis sihtniiskuse, saate määrata: 30-35-40-45-50-55-60-65-70-75-80%-CO-30% ja nii edasi. "CO" tähendab pidevat niiskuse eemaldamise režiimi. Selles režiimis saab ventilatori kiirust valida madala või suure kiiruse vahel.

5. Pärast pideva niisutamise lõpetamist võtke toru lahti, asetage veepaak (3) algele kohale ja lülitage seade välja.

Äravooluvoolik: pikkus: 30 cm, siseläbimõõt: 17 mm, välisläbimõõt: 19 mm.

Taimeri töö – viivitusega seiskamise funktsioon

Funktsiooni Timer OFF - DELAY STOP seadistamiseks kasutage taimeri nuppu (C).

Taimeri väljalülitamise funktsiooni saab seadistada, kui seade töötab. Vajutage taimeri nuppu (C), süttib taimeri näit (M). LED-digitaalekraan (S) süttib ja ekraanile ilmub "00", siis peaksite vajutama pluss- või miinusnuppe (B), et valida seadme soovitud väljalülitusaeg. Pärast taimeri seadistamist kuvatakse kellaaega 5 sekundit ja see jääb meelde. Kui taimer on seadistatud, vajutage vasakpoolese aja kontrollimiseks taimeri nuppu (C). Seade lülitub automaatselt välja pärast seadistamise aja möödumist. Taimeri funktsiooni lähtestamiseks tuleb ajaväärtuse vilkumise ajal pidevalt vajutada taimeri nuppu (C), aja väärtus muudetakse nulliks.

Taimeri vahemik on 1-24 tundi 1-tunnise intervalliga.

Ruumi temperatuuri kontrollimine

Praeguse ruumitemperatuuri kontrollimiseks vajutage paar sekundit plussnuppu, kui väärtus kuvatakse LED-digitaalekraanil (S), samal ajal kuvatakse temperatuurinäidik (N).

Ruumi niiskuse kontroll

Ruumi praeguse õhuniiskuse kontrollimiseks vaadake LED-digitaalekraanil (S) või eesmisel digitaalnäidikul (12) kuvatavat väärtust, samal ajal süttib juhtnupul niiskuse indikaator (O). paneel (1). Kui ruumi praegune õhuniiskuse saavutab seadud suhtelise õhuniiskuse, süttib sihtniiskuse indikaator (P).

Seadme väljalülitamiseks vajutage uuesti toitelülitit (A), seade lakkab töötamast, vaid toiteindikaator (R) hakkab vilkuma, teavitades sellest, et seade on ooterežiimis. Kui seade on sisse lülitatud. Toiteindikaator (R) põleb.

Veepaagi tühjendamine

1. Kui veepaak (3) on täis või veepaak (3) ei ole paigaldatud õigesse asendisse, süttib juhtpaneelil (1) täis veepaagi näit (Q) ja kostab helisignaali. Seade lõpetab töö automaatselt.
2. Kui täis veepaagi märgutuli (Q) vilgub, peatab seade töö, kuni veepaak on tühi või seatud õigesse asendisse.
3. Veepaagi (3) eemaldamiseks tõmmake veepaak õrnalt enda poole, hoides veepaagi nõgusaid osi. Vaata pilti 3.
4. Veepaagi (3) tühjendamiseks kasutage selle kandmiseks käepidet, seejärel kallutage seda, nagu näidatud pildil 4, ja tühjendage vesi aeglaselt. Seejärel asetage käepide tasaseks, enne kui lükkate paagi (3) õrnalt tagasi oma eelmisse asendisse korpusse sees.
5. Aeg-ajalt tuleb veepaaki (6) seest puhastada. Veepaagi (3) avamiseks reguleerige veepaagi käepideme asendit kahes plastosas, mille külge käepide on kokku pandud, avade kuju järgi ja laiendage käepideme mõlemat serva õrnalt, et käepide täielikult lahti võtta. Nüüd saate avada veepaagi kaane ja puhastada veepaaki veega, kasutades nõudepesuvahendit ja pehmet lappi. Ärge demonteerige ega tõstke ujukit (6) veepaagist (3) üles. Vaata pilti

Sumiseja

Kui veepaak (3) töötamise ajal välja võetakse, kostab see 20 sekundit.

Puhastamine ja hooldus

1. Lülitage seade välja ja eemaldage toitepistik enne mis tahes puhastamise või muu rutiinse hoolduse alustamist.
2. Elektrilöögiõhu vältimiseks ärge kunagi piserdage ega piserdage seda puhastamise ajal vett.
3. Enne seadme teiseladumist lülitage seade välja ja tühjendage veepaagist vesi. Hoidke liikumise ajal kindlasti käepidemest kinni.
4. Pühkige seadme korpus niiske ja pehme lapiga.
5. Ärge võtke ujukit (6) veepaagist (3) lahti.
6. Enne planeeritud pikaajalist pidevat töötamist tuleb perioodiliselt kontrollida eelkõige võrgusilma õhufiltrit (8), aktiivsõefiltrit (11) ja äravoolutoru (13) vms.
7. Filtrite puhastamiseks või vahetamiseks tehke järgmist.
 - eemaldage pistik ja eemaldage veepaak (3)
 - eemaldage filtri korpus (9), nagu on näidatud joonisel 5
 - eemaldage võrkõhufilter (8) korpuselt ja eemaldage õrnalt aktiivsõefilter (11)
 - tõmmake HEPA-filter (7) seadmest välja
 - iga kahe nädala järel puhastage kõik kolm filtrit tolmuimejaga või patsutage neid kergelt välja raputamiseks. Kuivatusvõime võib väheneda, kui filtrid on mustusega ummistunud
 - asetage filtrid tagasi ja pange filtri korpus (9) uuesti kokku.Kui filtrid on tõsiselt määrdunud, peske neid neutraalse pesuvahendiga vees, loputage korralikult veega ja laske kuivada.
8. Ärge puhastage seadet benssiini, lahusti või vedela pesuainega.
9. Enne pikemat ladustamist: ühendage toitejuhe kokku, tühjendage veepaak ja pühkige see pehme lapiga, puhastage ja kuivatage kõik filtrid. Hoidke seade püstises asendis, et vältida tõrkeid või ebatavalist heli tulevikus, vältige kokkupuudet otsese päikesevalgusega.

Probleemide lahendamise: enne müüjaga ühenduse võtmist kontrollige allolevat loendit:

1. Probleem: operatsioon puudub

Kontrollpunkt 1: vaadake, kas toitepistik on lahti ühendatud.

Lahendus 1: sisestage pistik täielikult ja kindlalt pistikupespa

Kontrollpunkt 2: vaadake, kas veepaak on vett täis

Lahendus 2: Tühjendage vesi paagist.

Kontrollpunkt 3: vaadake, kas veepaak ei ole korralikult asendis.

Lahendus 3: Seadke paak seadme külge korralikult oma kohale

Kontrollpunkt 4: vaadake, kas õhu väljalaskeava mustast plastikust ülemine kaas on suletud

Lahendus 4: avage ülemine kaas

2. Probleem: õhukuivati võimsus on väike

Kontrollpunkt 1: vaadake, kas filtrid on määrdunud

Lahendus 1: Puhastage filtreid, nagu on kirjeldatud punktis 7 jaotises Puhastamine ja hooldus

Kontrollpunkt 2: vaadake, kas õhuavad on ummistunud

Lahendus 2: eemaldage õhuavadest takistused

Kontrollpunkt 3: vaadake, kas õhukuivati on õhuringlusrežiimis

Lahendus 3: muutke töörežiimiks niiskuse eemaldamise režiim

3. Probleem: valju heli töötamise ajal

Kontrollpunkt 1: kontrollige, kas seade on õigesti paigaldatud

Lahendus 1: paigaldage seade tasasele ja stabiilsele põrandale

4. Problem: pestud lappe ei kuivatata
Kontrollpunkt 1: vaadake, kas pestud riided ei puutu kokku seadme õhuga
Lahendus 1: püüdke pestud riided õhuvoolu kätte jätta
Kontrollpunkt 2: vaadake, kas toatemperatuur on liiga madal
Lahendus 2: pestud riideid on madalal temperatuuril raske kuivatada

Seade töötab korralikult, kui ilmneb järgmine nähtus:

1. Nähtuse kirjeldus: Töö seiskub aeg-ajalt
Nähtuse põhjus: seade sulab
2. Fenomeni kirjeldus: Kuivatatud maht on väike
Nähtuse põhjus: õhukuivati maht väheneb, kui toatemperatuur on madal.
3. Nähtuse kirjeldus: Ruumi õhuniiskus on endiselt kõrge
Nähtuse põhjus: ruumi suurus võib olla liiga suur . Ruumi uksti või aknaid võib avada ja / või sulgeda sageli . Niisutajat kasutatakse petrooleumi küttekeha läheduses, mis eraldab auru .
4. Nähtuse kirjeldus: Halb lõhn töötamise ajal
Nähtuse põhjus: seintelt , mööblilt või muudelt esemetelt eraldub lõhna .
5. Nähtuse kirjeldus: heli tekib seadme sees
Nähtuse põhjus: külmutusagensi ringlus võib tekitada heli, kuni see on stabiilne .
6. Nähtuse kirjeldus: Veepaaki on jäänud vett
Nähtuse põhjus: vesi jääb maha, kuna seade on tehases läbinud niiskuse eemaldamise katse
7. Nähtuse kirjeldus: kostab helisignaali
Nähtuse põhjus: kui veepaak on vett täis, kostab helisignaali .

ETTEVAATUST: Külmutusagensi saab täita ainult tehas.

TEHNILISED ANDMED:

Niiskuse eemaldamise võime 30°C / 80% suhteline õhuniiskus: 25 liitrit / 24 tundi

Niiskuse eemaldamise võime 27°C / 60% suhteline õhuniiskus: 13 liitrit / 24 tundi

Müratase: <= 48dB (A)

Veepaagi maht: 6,5 liitrit

Õhuvool: 195 m3 / tund

R290 jahutusvedeliku kaal: max. 65 grammi

Nimisisendvõimsus: 320W

Max Nimisisendvõimsus: 420W

Toide: 220-240V ~50Hz



Ettevaatust, tuleoht.

MITTE lämbistada ega põletada.

Pange tähele, et külmutusagens ei pruugi lõhna sisaldada.

Maksimaalne külmutusagensi laadimiskogus: 65 g.



Hoolitse keskkonnakaitse eest.

Kartongist pakendid vii makulatuuri. Kilekotid (PE) viska kasutatud plastiku jaoks ettenähtud mahutitesse.

Kasutatud seadmed vii selleks ettenähtud kogumispunktidesse, sest seadmes leiduvad ohtlikud elemendid võivad olla kahjulikud keskkonnale. Elektriseadmed tuleb anda nii ära, et seadet ei saaks enam uuesti kasutada. Kui seadmes on patareid, tuleb need välja võtta ja anda eraldi kogumispunkti.

Seadet ei tohi visata olmejäätmete konteineritesse!!

ROMÂNĂ

CONDIȚII GENERALE DE SIGURANȚĂ INSTRUCȚIUNI DE SIGURANȚĂ IMPORTANTE CITIȚI ÎNCETARE ȘI SALVAȚI PENTRU VIITOR

1. Înainte de a utiliza dispozitivul, citiți manualul de operare și urmați instrucțiunile conținute de acesta. Producătorul nu este responsabil pentru daunele cauzate de utilizarea dispozitivului contrar scopului intenționat sau a funcționării necorespunzătoare a acestuia.

2. Aparatul este numai pentru uz casnic. Nu folosiți în alte scopuri care nu sunt destinate scopului său.

3. Dispozitivul trebuie conectat numai la o priză de curent alternativ cu o masă de pământ 220 240V ~ 50Hz. Pentru a spori siguranța operațională, mai multe dispozitive electrice nu ar trebui conectate la un circuit de curent în același timp.
4. Aveți precauție extremă atunci când utilizați dispozitivul când copiii sunt în apropiere. Nu permiteți copiilor să se joace cu dispozitivul, nu lăsați copiii sau persoanele necunoscute de dispozitiv să-l folosească.
5. **AVERTIZARE:** Acest echipament poate fi utilizat de copii peste 8 ani și de persoane cu capacitate fizică, senzorială sau mentală limitată sau de persoane care nu au experiență sau cunoștințe despre echipament, dacă acest lucru este realizat sub supravegherea unei persoane responsabile pentru siguranța lor sau le-a fost oferită informații despre utilizarea în siguranță a dispozitivului și sunt conștienți de pericolele folosirii acestuia. Copiii nu ar trebui să se joace cu echipamentul. Curățarea și întreținerea dispozitivului nu trebuie să fie efectuată de către copii, cu excepția cazului în care au peste 8 ani și aceste activități sunt desfășurate sub supraveghere.
6. Deconectați întotdeauna mufa de alimentare ținând priza cu mâna după utilizare. NU trageți cablul de alimentare.
7. Nu scufundați cablul, mufa și întregul dispozitiv în apă sau în orice alt lichid. Nu expuneți dispozitivul la condiții atmosferice (ploaie, soare etc.) și nu folosiți în condiții de umiditate ridicată (băi, case mobile umede).
8. Verificați periodic starea cablului de alimentare. În cazul în care cablul de alimentare este deteriorat, acesta trebuie înlocuit de un atelier de reparații de specialitate pentru a evita pericolul.
9. Nu folosiți aparatul cu un cablu de alimentare deteriorat sau dacă a fost aruncat sau deteriorat în alt mod sau dacă nu funcționează corect. Nu reparați singur dispozitivul, deoarece există riscul de electrocutare. Duceți dispozitivul deteriorat la un centru de service adecvat pentru verificare sau reparare. Toate reparațiile pot fi efectuate numai de către punctele de service autorizate. Reparațiile efectuate incorect pot cauza pericol grav pentru utilizator.
10. Așezați dispozitivul pe o suprafață rece, stabilă, departe de aparatele de bucătărie calde, cum ar fi: aragaz electric, arzător de gaz etc.
11. Asigurați-vă că nimic nu blochează intrarea și ieșirea aerului dispozitivului
12. Folosiți dispozitivul numai pe o suprafață plană pentru a preveni scurgerea condensului
13. Pentru a oferi o protecție suplimentară, este recomandabil să instalați un dispozitiv de curent rezidual (RCD) în circuitul electric cu un curent rezidual nominal care să nu depășească 30mA. Întrebați un electrician pentru asta.
14. Curățați regulat filtrul de aer. Frecvența curățării depinde de curățenia aerului.
15. După ce opriți mașina, așteptați cel puțin 5 minute înainte de a o porni din nou.
16. Pentru o dezumidificare eficientă, trebuie utilizat un spațiu de cel puțin 20 cm între pereții laterali ai dispozitivelor și mobilierul sau perdelele comprimate.

17. Pentru a evita riscul de incendiu sau explozie, nu pulverizați uscătorul
18. Pentru a utiliza piesele carcasei, nu așezați dezumidificatorul lângă dispozitivele de încălzire.
19. Scoateți apa colectată în rezervor. Apa potabilă accidentală sau utilizarea ei cu alte persoane poate provoca boli.
20. Nu acceptă dispozitivele cu capacul posterior îndepărtat din cauza pieselor mobile și fierbinți.
21. Nu folosiți niciun mijloc pentru a desfășura procesul de decongelare sau operare, altele decât cele recomandate de producător.
22. Dispozitivul trebuie să fie disponibil ca parte a unei liste permanente de surse de aprindere, adică fără flacără deschisă, fără un dispozitiv cu gaz de lucru sau fără un dispozitiv de încălzire.
23. Nu străpunge și nu fumează.
24. Vă rugăm să rețineți că producătorii de refrigerare nu pot conține parfum.

Înainte de prima utilizare:

1. Dezumidificatorul trebuie utilizat pe o suprafață plană și stabilă, pentru a menține distanțele între unitate și alte obiecte conform imaginii 1 pentru a asigura o eficiență adecvată. Închideți toate ferestrele și ușile camerei pe care doriți să le dezumidificați aerul.
2. Pentru a preveni înghețarea apei, nu folosiți dezumidificatorul și furtunul de scurgere la temperatura ambiantă sub 0 ° C
3. Nu folosiți dezumidificatorul afară. Expunerea la soare directă sau la ploaie poate duce la supraîncălzire, șocuri electrice și incendiu.
4. Nu puneți rezervorul de apă pe dezumidificator pentru a evita orice vărsare de apă în unitate și deteriora izolația.
5. Nu încercați niciodată să folosiți dezumidificatorul pentru utilizări speciale, cum ar fi dezumidificarea alimentelor sau conservarea obiectelor de artă sau altele asemenea.
6. Nu folosiți dezumidificatorul unde poate avea loc scurgeri de ulei sau gaz inflamabil. Nu folosiți aparatul în locuri supuse substanțelor chimice.
7. Pentru o scurgere continuă, asigurați-vă că furtunul de scurgere este reglat corect cu pantă.
8. Aveți grijă ca un aparat de încălzire să nu fie expus vântului de la dezumidificator.
9. Nu folosiți dezumidificatorul ca scaun sau suport pentru picioare.
10. Nu scoateți pârghia de plutire din rezervorul de apă.
11. Nu blocați prizele de aer și ieșirile de aer.
12. Nu acoperiți unitatea cu haine spălate.

Descriere produs: AD7863 2in1 Dezumidificator de aer și purificator de aer

- | | |
|--|--|
| 1. Panou de control | 2. Admisia aerului |
| 3. Rezervor de apă 6,5L | 4. Ieșire aer |
| 5. Mâner | 6. Plutitor |
| Filtru de aer HEPA | 8. Prefiltru de aer din plasă lavabilă |
| 9. Carcasa filtrului | 10. Indicator luminos de umiditate |
| 11. Filtru de cărbune activ | 12. Afișaj digital frontal |
| 13. Orificiu pentru conducta de scurgere continuă a apei | |

Panou de control (1):

A. Comutator de alimentare

B. Butoane plus și minus

- | | |
|--|--|
| C. Buton cronometru 0-24 ore | D. Buton viteza ventilator |
| E. Butonul de mod | F. Indicatorul modului pentru haine uscate |
| G. Indicator mod de funcționare normală | H. Indicator mod de circulație a aerului |
| I. Indicator de mod automat | J. Indicator de autodecongelare a dispozitivului |
| K. Indicator de viteză mare a ventilatorului | L. Indicator de viteză redusă a ventilatorului |
| M. Indicator cronometru | N. Indicator temperatură |
| O. Indicator de umiditate | P. Indicator de umiditate țintă |
| Q. Indicator rezervor de apă plin | R. Indicator putere |
| S. Afișaj digital cu LED pentru umiditate și temporizator și temperatura camerei | |

CONDIȚII DE UTILIZARE

Acest dezumidificator nu este potrivit pentru a menține umiditatea foarte scăzută cu aproximativ 50 % sau mai puțin . Acest dezumidificator este conceput pentru a elimina umiditatea inconfortabilă din viața de zi cu zi și pentru a fi utilizat pentru uscarea suplimentară a rufelor spălate în interior . Acest lucru nu este potrivit pentru a menține umiditatea foarte scăzută .

Este normal ca dispozitivul să producă căldură în timpul funcționării și temperatura camerei crește cu 1C până la 4C, deoarece acest dispozitiv nu are funcție de răcire . Temperatura crește în timp ce este utilizat într-un dulap sau ceva asemănător . În plus , temperatura camerei crește deoarece ușile și ferestrele sunt închise și căldura este produsă de la alte aparate din cameră și de la radiația solară . Acest dezumidificator nu poate fi aplicat pentru a menține o temperatură extrem de scăzută. Funcția acestui dezumidificator este de a pompa umiditatea neplăcută, ridicată.

FUNCȚIA DE AUTODEGEZARE A DISPOZITIVULUI

Când înghețul se acumulează pe serpentinele evaporatorului din interiorul dispozitivului, funcția de dezghețare automată va fi pornită. The compresorul se va opri și ventilatorul va continua să funcționeze până când înghețul este îndepărtat. Când dispozitivul rulează la temperatura camerei între 5 grade Celsius și 12 grade Celsius , se va opri la dezghețare pentru aproximativ 3 minute la fiecare 8 minute. Când dispozitivul funcționează la o temperatură a camerei între 12 grade Celsius și 18 grad Celsius , se va opri dezghețarea pentru aproximativ 5 minute la fiecare 25 de minute. Când dispozitivul funcționează la o temperatură a camerei între 18 grade Celsius și 23 grad Celsius se va opri pentru a dezgheța aproximativ 5 minute la fiecare 120 de minute. Așteptați 3 minute înainte de a relua funcționarea. După ce compresorul s-a oprit, nu poate reporni funcționarea pana au trecut 3 minute. Indicatorul (J) de pe panoul de comandă (1) este aprins tot timpul când auto-dezghețarea este activă.

IMPORTANT !

Atât funcția de dezumidificare, cât și cea de curățare a aerului se opresc în timpul operațiunii de dezghețare . Nu deconectați ștecherul dispozitivului și nu opriți dispozitivul în timpul dezghețării .

Capacitate de dezumidificare

1. Capacitatea zilnică de dezumidificare a dezumidicatorului depinde de temperatura camerei și de umiditatea relativă. La diferite temperaturi și umiditate relativă, poate avea o capacitate de dezumidificare diferită.
2. La aceeași temperatura camerei, capacitatea de dezumidificare este mai mare la umiditate relativă mai mare, iar capacitatea de dezumidificare este mai mică la umiditate relativă mai scăzută. În aceeași umiditate relativă, capacitatea de dezumidificare este mai mare la temperatură mai mare, iar capacitatea de dezumidificare este mai mică la temperatură mai scăzută.
3. Dacă dezumidificatorul este plasat în dulap, capacitatea sa de dezumidificare se poate reduce foarte mult într-o perioadă scurtă de timp după funcționare, deoarece umiditatea din dulap a fost foarte redusă.
4. Pentru 30°C/27°C de temperatura camerei și 80%/60% de umiditate relativă capacitatea de dezumidificare este, respectiv, de aproximativ 25/13 litri de apa cand orificiul de evacuare a aerului este complet deschis.

Sistem de purificare a aerului - filtrare in 3 trepte

Sistemul este conceput pentru a elimina particulele poluante și mirosurile din aer. Dispozitivul include următoarele filtre:

1. Prefiltru de aer din plasă lavabilă (8): utilizat pentru a filtra praful și părul în aer.
2. Filtru de cărbune activ: îndepărtați un miros cauzat de ex. țigară, animal de companie, etc.
3. Filtru HEPA H13: Filtrează praful, particulele poluante și împrăspătează aerul. Filtrul HEPA H13 reține eficient 99,95% din particulele poluante cu dimensiuni de până la 0,3 microni în aerul care curge. Filtrul HEPA H13 este potrivit pentru purificarea aerului pentru persoanele alergice.

Operațiune

1. Vă rugăm să așezați dispozitivul în poziție verticală pentru a evita greșelile de funcționare și sunetul neobișnuit. Păstrați distanța dintre alte obiecte, așa cum se arată în imaginea 1.
2. Filtrul HEPA (7) este ambalat în saci de polietilenă, vă rugăm să scoateți sacul de polietilenă înainte de utilizare.
3. Deschideți capacul negru din partea de sus a dispozitivului pentru a lăsa aerul să iasă ușor.
4. Conectați dispozitivul, comutatorul de alimentare (A) clipește pe panoul de control (1), apăsați-l pentru a porni dispozitivul. Afișajul digital (S) va afișa nivelul actual de umiditate din cameră. În același timp, indicatorul luminos al umidității (10) se va aprinde

pe marginea frontală superioară a dispozitivului.

În timpul funcționării, ledul de indicare a umidității arată nivelul actual de umiditate din cameră:

- Culoarea albastră înseamnă umiditate scăzută sub 50% umiditate relativă

- Culoarea verde înseamnă umiditate medie în intervalul 51% - 69% umiditate relativă

- Culoarea roșie înseamnă umiditate ridicată peste 70% umiditate relativă

Vă rugăm să rețineți că valoarea umidității relative are o toleranță de 3% atunci când se aprinde lumina indicatoare corespunzătoare.

5. Apăsăți butonul de mod (E) în ciclul pentru a alege modul de funcționare dorit între:

- Mod haine uscate – apăsați butonul de mod (E) o dată, indicatorul (F) se va aprinde. Pentru a îndeplini rapid funcția, compresorul funcționează continuu fără oprire, cu excepția cazului în care rezervorul de apă (3) este plin. Ventilatorul menține viteza mare tot timpul.

- Mod de funcționare normal – apăsați din nou butonul de mod (E), indicatorul (G) se va aprinde. În condiții normale de funcționare, compresorul funcționează. Utilizatorul poate seta nivelul țintă de umiditate apăsând butoanele plus și minus (3). Intervalul de umiditate setat este: 30%-80% cu pas de 5%. Când umiditatea țintă atinge, compresorul nu mai funcționează. Ventilatorul poate fi setat pe ambele: viteză mare și mică, în funcție de nevoile dvs. Pentru a alege viteza ventilatorului între mică și mare, apăsați butonul (D), indicatorul corespunzător (K) pentru viteză mare și (L) pentru viteză mică se va aprinde.

- Mod circulație aer – apăsați din nou butonul de mod (E), indicatorul (H) se va aprinde. În acest mod compresorul nu funcționează, există doar funcționarea ventilatorului. Puteți regla viteza ventilatorului între: viteză mică și mare în funcție de nevoie dvs.

- Modul automat — apăsați din nou butonul de mod (E), indicatorul (I) se va aprinde. În acest mod, umiditatea țintă implicită este de 55%. Când umiditatea din cameră atinge 55%, compresorul nu mai funcționează, ventilatorul continuă să funcționeze. Când umiditatea camerei este mai mare de 55%, compresorul începe să funcționeze din nou.

În cazul întreruperii curentului, dispozitivul are funcție de memorie și își poate aminti ultima configurație.

Funcție de drenaj continuu

1. Dacă trebuie să deumidificați aerul pentru o perioadă lungă de timp, puteți utiliza funcția de drenare continuă.

2. Înainte de funcționarea continuă pe o durată lungă, este necesară verificarea periodică, în special pentru filtrul de curățare a aerului, conducta de scurgere sau altele asemenea.

3. Scoateți rezervorul de apă (3) din poziția inițială, introduceți conducta atașată în oficiul pentru scurgerea continuă a apei (13) prezentat în poza 5.

4. Când setați umiditatea țintă în modul normal de deumidificare, puteți seta: 30-35-40-45-50-55-60-65-70-75-80%-CO-30% și așa mai departe. „CO” înseamnă modul de deumidificare continuă. În acest mod, viteza ventilatorului poate fi aleasă între viteză mică sau viteză mare.

5. După terminarea de umidificare continuă, demontați conducta, poziționați rezervorul de apă (3) în locul inițial și opriți dispozitivul. Furtun de scurgere: lungime: 30 cm, diametru interior: 17 mm, diametru exterior: 19 mm.

Funcționare cu temporizator - Funcție Delay Stop

Pentru a seta funcția Timer OFF - DELAY STOP, utilizați butonul temporizatorului (C).

Funcția de oprire a temporizatorului poate fi setată atunci când dispozitivul funcționează. Apăsăți butonul Timer (C), indicatorul temporizatorului (M) se va aprinde. Afișajul digital LED (S) se aprinde și apare „00”, trebuie să apăsați butoanele plus sau minus (B) pentru a selecta timpul dorit pentru oprirea dispozitivului. După setarea temporizatorului, timpul va fi afișat timp de 5 secunde și va fi reținut. Odată setat temporizatorul, pentru a verifica cu timpul stâng apăsați butonul temporizatorului (C). Dispozitivul se va opri automat după trecerea timpului configurat. Pentru a reseta funcția temporizatorului este nevoie să apăsați în mod continuu butonul temporizatorului (C) în timp ce valoarea timpului clipește, valoarea timpului va fi schimbată la zero. Intervalul cronometrului este de la 1 la 24 de ore cu un interval de 1 oră.

Verificarea temperaturii camerei

Pentru a verifica temperatura actuală a camerei, apăsați butonul Plus timp de câteva secunde, când valoarea va fi afișată pe afișajul digital LED (S), în același timp va fi afișat și indicatorul de temperatură (N).

Verificarea umidității încăperii

Pentru a verifica umiditatea actuală a încăperii, uitați-vă la valoarea afișată de afișajul digital LED (S) sau la valoarea afișată de afișajul digital frontal (12), în același timp indicatorul de umiditate (O) se va aprinde pe control. panoul (1). Când umiditatea actuală a încăperii a atins umiditatea relativă setată, indicatorul de umiditate țintă (P) se va aprinde.

Apăsăți din nou comutatorul de alimentare (A) pentru a opri dispozitivul, dispozitivul se oprește, doar indicatorul de alimentare (R) va clipi pentru a informa că dispozitivul este în starea de așteptare. Când dispozitivul este pornit. Indicatorul de alimentare (R) se aprinde.

Golirea rezervorului de apă

1. Dacă rezervorul de apă (3) este plin sau rezervorul de apă (3) nu este instalat în poziția corectă, indicația rezervorului de apă plin (Q) se aprinde la panoul de comandă (1), se aude sonorul. Dispozitivul va opri automat funcționarea.
2. Când indicatorul luminos al rezervorului de apă plin (Q) clipește, dispozitivul se oprește până când rezervorul de apă este gol sau setat în poziția corectă.
3. Pentru a scoate rezervorul de apă (3), trageți ușor rezervorul de apă spre dvs. ținând părțile concave ale rezervorului de apă. Uită-te la poza 3.
4. Pentru a goli rezervorul de apă (3), utilizați un mâner pentru a-l transporta, apoi înclinați-l așa cum se arată în imaginea 4 și scurgeți apa încet. Apoi, trebuie să așezați mânerul plat înaintea de a împinge ușor rezervorul (3) înapoi în poziția anterioară în interiorul carcasei.
5. Din când în când rezervorul de apă (6) trebuie să-l curețe în interior. Pentru a deschide rezervorul de apă (3), ajustați poziția mânerului rezervorului de apă la forma găurilor din două părți din plastic la care este asamblat mânerul și extindeți ușor ambele margini ale mânerului pentru a demonta complet mânerul. Acum puteți deschide capacul rezervorului de apă și puteți curăța rezervorul de apă cu apă cu săpun de vase și o cârpă moale. Nu demontați și nu ridicați plutitorul (6) din rezervorul de apă (3). Uită-te la poza

Buzzer

Se aude timp de 20 de secunde când rezervorul de apă (3) este scos în timpul funcționării.

Curatenie și mentenanță

1. Oprțiți dispozitivul și deconectați ștecherul de alimentare înainte de a începe orice curățare sau altă întreținere de rutină.
2. Pentru a evita riscul de electrocutare, nu stropiți sau vărsați niciodată apă pe dezumidificator atunci când curățați.
3. Oprțiți dispozitivul și goliți apa din rezervorul de apă înainte de a muta dispozitivul. Asigurați-vă că țineți mânerul în timp ce vă deplasați.
4. Ștergeți carcasa dispozitivului cu o cârpă umedă și moale.
5. Nu demontați plutitorul (6) din rezervorul de apă (3).
6. Înainte de funcționarea continuă planificată pe o durată lungă, este necesară verificarea periodică, în special pentru filtrul de aer cu plasă (8), filtrul de cărbune activ (11) și conducta de scurgere (13) sau altele asemenea.
7. Pentru a curăța sau a înlocui filtrele:
 - deconectați ștecherul și scoateți rezervorul de apă (3)
 - scoateți carcasa filtrului (9) așa cum se arată în figura 5
 - scoateți filtrul de aer cu plasă (8) din carcasa și îndepărtați ușor filtrul de cărbune activ (11)
 - scoateți filtrul HEPA (7) din dispozitiv
 - la fiecare două săptămâni, curăța toate cele trei filtre cu un aspirator sau mângâie-le ușor pentru a le scutura. Performanța dezumidificării poate scădea dacă filtrele sunt înfundate cu murdărie
 - puneți filtrele înapoi și montați din nou carcasa filtrului (9).
- Dacă filtrele sunt murdare serios, spălați-vă cu apă, inclusiv detergent neutru, clătiți bine cu apă și lăsați până se usucă.
8. Nu curățați dispozitivul cu benzină, diluant sau detergent lichid.
9. Înainte de o depozitare mai lungă: legați cablul de alimentare, goliți rezervorul de apă și ștergeți-l cu o cârpă moale, curățați și uscați toate filtrele. Stați dispozitivul în poziție verticală pentru a evita funcționarea defectuoasă sau sunetul anormal pe viitor, evitați expunerea la lumina directă a soarelui.

Defecțiuni - depanare: verificați cu lista de mai jos înainte de a contacta vânzătorul:

1. Problemă: nicio operațiune
 - Punctul de verificare 1: vezi dacă ștecherul este deconectat.
 - Soluția 1: introduceți ștecherul într-o priză electrică complet și sigur
 - Punctul de verificare 2: vezi dacă rezervorul de apă este plin cu apă
 - Soluția 2: Goliți apa din rezervor .
 - Punctul de verificare 3: vezi dacă rezervorul de apă nu este setat corect în poziția .
 - Soluția 3: Așezați rezervorul pe dispozitiv în poziție corectă
 - Punctul de verificare 4: vezi dacă capacul superior din plastic negru al orificiului de evacuare a aerului este închis
 - Soluția 4: deschideți capacul superior
2. Problemă: capacitatea dezumidificatorului este mică
 - Punctul de verificare 1: vezi dacă filtrele sunt murdare
 - Soluția 1: Curățați filtrele așa cum este specificat în capitolul Curățare și întreținere la punctul 7
 - Punctul de verificare 2: vezi dacă orificiile de aer sunt blocate
 - Soluția 2: îndepărtați obstacolele din deschiderile de aer
 - Punctul de verificare 3: vezi dacă dezumidificatorul este în modul de circulație a aerului
 - Soluția 3: Schimbați modul de funcționare în modul de dezumidificare
3. Problemă: sunet puternic în timpul funcționării
 - Punctul de verificare 1: verificați dacă dispozitivul este instalat corect

Soluția 1: Instalați dispozitivul pe o podea plană și stabilă

4. Problemă: cârpele spălate nu sunt uscate

Punctul de verificare 1: vezi dacă hainele spălate nu sunt expuse la aerul din dispozitiv

Soluția 1: Încercați să expuneți rufele spălate la fluxul de aer

Punctul de verificare 2: vezi dacă temperatura camerei este prea scăzută

Soluția 2: Hainele spălate sunt greu de uscat în condiții de temperatură scăzută

Dispozitivul funcționează corect atunci când apare următorul fenomen:

1.Descrierea fenomenului: Funcționarea se oprește ocazional

Motivul fenomenului: Dispozitivul se dezgheață

2.Descrierea fenomenului: Volumul dezumidificat este mic

Motivul fenomenului: Volumul dezumidicatorului mai mic atunci când temperatura camerei este scăzută.

3.Descrierea fenomenului: Umiditatea într-o cameră este încă ridicată

Motivul fenomenului: dimensiunea camerei poate fi prea mare . Ușile sau ferestrele camerei pot fi deschise și / sau închise des . Dezumidicatorul este utilizat în apropierea unui încălzitor cu kerosen care emite vapori .

4.Descrierea fenomenului: Miroso neplăcut în timpul funcționării

Motivul fenomenului: Mirosul este emis de pereți , mobilier sau alte obiecte .

5.Descrierea fenomenului: Sunetul este produs în cadrul dispozitivului

Motivul fenomenului: Circulația agentului frigorific poate provoca sunet până când acesta este stabil .

6.Descrierea fenomenului: Apa este lăsată în rezervorul de apă

Motivul fenomenului: Apa este lăsată deoarece dispozitivul este supus testului de dezumidificare în fabrică

7.Descrierea fenomenului: Se aude sonorul

Motivul fenomenului: Soneria se aude când rezervorul de apă este plin cu apă .

ATENȚIE: Agentul frigorific poate fi umplut numai de fabrică.

DATE TEHNICE:

Capacitate de dezumidificare la 30°C / 80% RH): 25 litri / 24 ore

Capacitate de dezumidificare la 27°C / 60% RH): 13 litri / 24 ore

Nivel de zgomot: <= 48dB (A)

Capacitate rezervor apă: 6,5 litri

Debit aer: 195 mc/oră

Greutate lichid de răcire R290: max. 65 de grame

Putere nominală de intrare: 320 W

Max. Putere nominală de intrare: 420 W

Alimentare: 220-240V ~50Hz



Atenție, risc de incendiu.

NU străpungeți și nu ardeți.

Rețineți că agentul frigorific nu poate conține miros.

Cantitatea maximă de încărcare a agentului frigorific: 65g



Din grija pentru mediul înconjurător. Ambalajele din carton vă rugăm să le transmiteți șa centrele de maculatură. Sacii din polietilenă (PE) trebuie aruncați în recipientele pentru materialele plastice. Dispozitivul uzat trebuie transmis la punctul corespunzător de depozitare, deoarece componentele periculoase care se găsesc în dispozitiv pot fi foarte periculoase pentru mediul înconjurător. Dispozitivul electric trebuie transmis în așa fel încât să se limiteze utilizarea lui repetată. Dacă în dispozitiv se găsesc baterii acestea trebuie scoase și transmise către punctul de depozitare a acestora, separat.

BOSANSKI

OPĆI UVJETI SIGURNOSTI

**VAŽNE SIGURNOSNE UPUTE PROČITAJTE UPOZORENJE I UŠTEDITE
BUDUĆNOST**

1. Prije upotrebe uređaja, pročitajte korisnički priručnik i slijedite upute sadržane u njemu. Proizvođač ne odgovara za štetu nastalu upotrebom uređaja suprotno njegovoj predviđenoj namjeni ili nepravilnom radu.
2. Uređaj je namenjen samo za kućnu upotrebu. Ne koristite za druge svrhe koje nisu prema njegovoj predviđenoj namjeni.
3. Uređaj treba priključiti na izmjeničnu utičnicu samo uzemljenim 220 240V ~ 50Hz. Da bi se povećala operativna sigurnost, više električnih uređaja ne smije istovremeno biti povezano na jedan strujni krug.

4. Budite izuzetno oprezni kada koristite uređaj kada su djeca u blizini. Ne dozvolite djeci da se igraju s uređajem, ne dozvolite djeci ili osobama koje nisu upoznate s uređajem da ga koriste.
5. **UPOZORENJE:** Ovu opremu mogu koristiti djeca starija od 8 godina i osobe ograničene fizičke, senzorne ili mentalne sposobnosti, ili ljudi koji nemaju iskustva ili znanje o opremi, ako se to radi pod nadzorom odgovorne osobe radi njihove sigurnosti ili su im odobreni podaci o sigurnoj upotrebi uređaja i svjesni su opasnosti korištenja. Deca se ne smeju igrati sa opremom. Čišćenje i održavanje uređaja ne smiju obavljati djeca, osim ako su starija od 8 godina i ove aktivnosti se izvode pod nadzorom.
6. Uvek isključite utikač držeći utičnicu rukom nakon upotrebe. NE povlačite kabl za napajanje.
7. Nemojte uranjati kabl, utikač i cijeli uređaj u vodu ili bilo koju drugu tečnost. Ne izlažite uređaj atmosferskim uvjetima (kiša, sunce itd...) I ne koristite u uvjetima visoke vlažnosti (kupaonice, vlažne mobilne kućice).
8. Povremeno provjeravajte stanje kabela za napajanje. Ako je kabl za napajanje oštećen, zamijenite ga specijalnom servisnom radionicom kako biste izbjegli opasnost.
9. Ne koristite uređaj s oštećenim kablom za napajanje ili ako je ispao ili oštećen na bilo koji drugi način ili ako ne radi ispravno. Ne popravljajte uređaj sami jer postoji opasnost od električnog udara. Oštećeni uređaj odnesite u odgovarajući servisni centar radi provjere ili popravljanja. Sve popravke smiju obavljati samo ovlašteni servisi. Nepravilno izvedeni popravci mogu predstavljati ozbiljnu opasnost za korisnika.
10. Uređaj postavite na hladnu i stabilnu površinu, dalje od vrućih kuhinjskih uređaja kao što su: električni štednjak, plinski plamenik itd...
11. Pazite da ništa ne blokira dovod i izlaz zraka na uređaju
12. Koristite uređaj samo na ravnoj površini kako biste spriječili da se kondenzacija prolije
13. Da biste osigurali dodatnu zaštitu, preporučljivo je u električni krug instalirati zaostalu struju (RCD), nazivna zaostala struja koja ne prelazi 30mA. Pitajte za to električara.
14. Redovno čistite filtar za vazduh. Učestalost čišćenja ovisi o čistoći zraka.
15. Nakon isključenja uređaja pričekajte najmanje 5 minuta prije nego što ga ponovo uključite.
16. Za učinkovito odvlaživanje treba koristiti razmak od najmanje 20 cm između bočnih zidova uređaja i komprimiranog namještaja ili zavjesa.
17. Da biste izbjegli opasnost od požara ili eksplozije, ne prskajte sušilicu
18. Da biste koristili dijelove kućišta, ne postavljajte ovlaživač u blizinu grijaćih uređaja.
19. Uklonite vodu sakupljenu u rezervoaru. Slučajna konzumacija vode ili upotreba s drugim ljudima može uzrokovati bolest.
20. Ne podržava uređaje sa stražnjim poklopcem uklonjenim zbog pokretnih i vrućih dijelova.

21. Nemojte koristiti sredstva za otapanje ili rukovanje drugim proizvodima osim onih koje je preporučio proizvođač.
22. Uređaj bi trebao biti dostupan u sklopu trajne liste izvora paljenja, tj. Bez otvorenog plamena, bez radnog plinskog uređaja ili bez grijača radnog uređaja.
23. Ne probijajte i ne pušite.
24. Imajte na umu da proizvođači proizvoda za hlađenje možda ne sadrže mirise.

Prije prve upotrebe:

1. Odvlaživač mora se koristiti na ravnoj i stabilnoj površini, držati udaljenosti između jedinice i drugih predmeta u skladu sa slikom 1 kako bi se osigurala odgovarajuća učinkovitost. Zatvorite sve prozore i vrata prostorije u kojoj želite odmrzavati zrak.
2. Da biste spriječili zamrzavanje vode, ne koristite odvlaživač i odvodno crijevo na sobnoj temperaturi ispod 0 ° C
3. Ne koristite odvlaživač vani. Izloženost direktnoj sunčevoj svjetlosti ili kiši može rezultirati pregrijavanjem, strujnim udarom i požarom.
4. Ne stavljajte rezervoar za vodu na odvlaživač kako biste izbjegli prolijevanje vode u uređaj unutar i narušilo izolaciju.
5. Nikada ne pokušavajte koristiti odvlaživač za posebne namjene, poput odmrzavanja hrane ili očuvanja umjetničkih predmeta ili slično.
6. Ne koristite sredstvo za odvlaživanje zraka tamo gdje može doći do curenja ulja ili zapaljivog plina. Ne koristite jedinicu na mjestima koja su izložena kemikalijama.
7. Za neprekidno pražnjenje, osigurajte da je odvodno crijevo pravilno postavljeno uz nagib.
8. Pazite da uređaj za grijanje ne bude izložen vjetru iz uređaja za odvlaživanje zraka.
9. Ne koristite odvlaživač zraka kao stolicu ili podlogu za stopala.
10. Ne uklanjajte ručicu plovka iz spremnika vode.
11. Ne blokirajte otvore za vazduh i otvore za vazduh.
12. Ne prekrivajte jedinicu opranom odjećom.

Opis proizvoda: AD7863 2u1 Odvlaživač zraka i pročišćivač zraka

- | | |
|---|---|
| 1. Kontrolna tabla | 2. Ulaz zraka |
| 3. Spremnik za vodu 6,5L | 4. Odvod zraka |
| 5. Ručka | 6. Floater |
| 7. HEPA vazdušni filter | 8. Mrežasti predfilter zraka koji se može prati |
| 9. Kućište filtera | 10. Lampica indikatora vlažnosti |
| 11. Filter sa aktivnim ugljem | 12. Prednji digitalni displej |
| 13. Otvor za cijev za kontinuirani odvod vode | |

Kontrolna tabla (1):

- | | |
|--|---|
| A. Prekidač za napajanje | B. Dugmad plus i minus |
| C. Dugme za tajmer 0-24 sata | D. Dugme za brzinu ventilatora |
| E. Dugme za način rada | F. Indikator načina rada za suhu odjeću |
| G. Indikator normalnog režima rada | H. Indikator režima cirkulacije vazduha |
| I. Indikator automatskog načina rada | J. Indikacija samoodleživanja uređaja |
| K. Indikator velike brzine ventilatora | L. Indikator male brzine ventilatora |
| M. Indikator tajmera | N. Indikator temperature |
| O. Indikator vlažnosti | P. Ciljni indikator vlažnosti |
| Q. Indikator punog rezervoara za vodu | R. Indikator napajanja |
| S. LED digitalni displej vlažnosti i tajmera i sobne temperature | |

USLOVI KORIŠĆENJA

Ovaj odvlaživač nije pogodan za održavanje vrlo niske vlažnosti od približno 50 % ili manje .

Ovaj odvlaživač je dizajniran da ukloni neugodnu vlagu u svakodnevnom životu i da se koristi za pomoćno sušenje oprane odjeće u zatvorenom prostoru . Ovo nije prikladno za održavanje vrlo niske vlažnosti .

Normalno je da uređaj proizvodi toplotu tokom rada i sobna temperatura raste za 1C do 4C, jer ovaj uređaj nema funkciju hlađenja . Temperatura postaje viša dok se radi u ormaru ili slično . Nadalje , sobna temperatura raste jer su vrata i prozori zatvoreni, a toplina se proizvodi od drugih uređaja u prostoriji i sunčevog zračenja . Ovaj odvlaživač ne može biti primjenjiv za održavanje ekstremno niske temperature. Funkcija ovog odvlaživača je da ispumpava neugodnu, visoku vlažnost.

FUNKCIJA SAMOODMRZIVANJA UREĐAJA

Kada se mraz nakupi na zavojnicama isparivača unutar uređaja, pokreće se funkcija automatskog odmrzavanja. The kompresor će se isključiti i ventilator će nastaviti da radi sve dok se mraz ne ukloni. Kada uređaj radi na sobnoj temperaturi između 5 stepeni Celzijusa i 12 stepeni Celzijusa, prestaće da se odleđuje na oko 3 minuta svakih 8 minuta. Kada uređaj radi na sobnoj temperaturi između 12 stepena Celzijusa i 18 stepena Celzijusa, prestaće da se odleđuje otprilike 5 minuta svakih 25 minuta. Kada uređaj radi na sobnoj temperaturi između 18 stepeni Celzijusa i 23 stepena Celzijusa prestaće da se odleđuje na oko 5 minuta svakih 120 minuta. Pričekajte 3 minute prije nastavka rada. Nakon što se kompresor zaustavi, ne može ponovo pokrenuti rad dok ne prođe 3 minuta. Indikator (J) na kontrolnoj tabli (1) svijetli sve vrijeme dok je aktivno samodmrzavanje.

BITAN !

I funkcija odvlaživanja i funkcija čišćenja zraka zaustavljaju se tijekom operacije odmrzavanja .

Nemojte iskopčavati utikač uređaja niti isključivati uređaj tokom odmrzavanja .

Kapacitet odvlaživanja

1. Dnevni kapacitet odvlaživanja odvlaživača zavisi od sobne temperature i relativne vlažnosti. Pri različitim temperaturama i relativnoj vlažnosti, može imati različit kapacitet odvlaživanja.
2. Na istoj sobnoj temperaturi, kapacitet odvlaživanja je veći pri višoj relativnoj vlažnosti, a kapacitet odvlaživanja je manji pri nižoj relativnoj vlažnosti. Pri istoj relativnoj vlažnosti, kapacitet odvlaživanja je veći na višoj temperaturi, a kapacitet odvlaživanja je manji na nižoj temperaturi.
3. Ako je odvlaživač postavljen u ormarić, njegov kapacitet odvlaživanja može se jako smanjiti u kratkom periodu nakon rada jer je vlažnost u ormaru jako smanjena.
4. Za 30°C / 27°C sobne temperature i 80% / 60% relativne vlažnosti, kapacitet odvlaživanja iznosi oko 25/13 litara vode kada je izlaz zraka potpuno otvoren.

Sistem za prečišćavanje vazduha - 3-stepena filtracija

Sistem je dizajniran za uklanjanje čestica zagađivača i neprijatnih mirisa iz vazduha. Uređaj uključuje sljedeće filtere:

1. Mrežasti predfilter zraka koji se može prati (8): koristite za filtriranje prašine i dlaka u zraku.
2. Filter s aktivnim ugljem: uklonite miris uzrokovan npr. cigaretom, kućnim ljubimcem, itd.
3. HEPA filter H13: Filtrira prašinu, čestice zagađivača i osvježava zrak. HEPA H13 filter efikasno zadržava 99,95% čestica zagađivača veličine do 0,3 mikrona u vazduhu koji struji. HEPA H13 filter je pogodan za pročišćavanje zraka za alergičare.

Operacija

1. Postavite uređaj uspravno kako biste izbjegli promašaj rada i neobičan zvuk. Održavajte udaljenosti između drugih objekata kao što je prikazano na slici 1.

2. HEPA filter (7) je upakovan u polietilenske vrećice, pre upotrebe uklonite polietilenu vrećicu.

3. Otvorite crni poklopac na vrhu uređaja kako biste pustili da zrak lako izađe.

4. Uključite uređaj, prekidač – napajanje (A) treperi na kontrolnoj tabli (1), pritisnite ga da biste uključili uređaj. Digitalni displej (S) će pokazati trenutni nivo vlažnosti u prostoriji. Istovremeno će se upaliti indikator vlažnosti (10) na prednjoj gornjoj ivici uređaja.

Tokom rada, indikator vlažnosti pokazuje trenutni nivo vlažnosti u prostoriji:

- Plava boja označava nisku vlažnost ispod 50% relativne vlažnosti
- Zelena boja označava srednju vlažnost u rasponu od 51% - 69% relativne vlažnosti
- Crvena boja označava visoku vlažnost preko 70% relativne vlažnosti

Imajte na umu da relativna vlažnost ima toleranciju od 3% kada se upali odgovarajuća indikatorska lampica.

5. Pritisnite dugme za režim rada (E) u ciklusu da izaberete željeni režim rada između:

- Način rada za suhu odjeću – jednom pritisnite tipku za način rada (E), indikator (F) će se upaliti. Za brzo ispunjenje funkcije kompresor radi neprekidno bez zaustavljanja, osim u slučaju da je rezervoar za vodu (3) pun. Ventilator ima veliku brzinu cijelo vrijeme.

- Normalan način rada – ponovo pritisnite tipku za način rada (E), indikator (G) će se upaliti. Pri normalnom radu kompresor radi.

Korisnik može podesiti željeni nivo vlažnosti pritiskom na dugmad plus i minus (3). Podeseni raspon vlažnosti je: 30%-80% sa korakom od 5%. Kada dostigne ciljnu vlažnost, kompresor prestaje da radi. Ventilator se može podesiti i na: veliku i malu brzinu prema vašim potrebama. Za izbor brzine ventilatora između niske i visoke, pritisnite dugme (D), zasvetleće odgovarajući indikator (K) za veliku brzinu i (L) za malu brzinu.

- Režim cirkulacije vazduha – ponovo pritisnite dugme za režim (E), indikator (H) će se upaliti. U ovom načinu rada kompresor ne radi, radi samo ventilator. Brzinu ventilatora možete podesiti između: niske i velike brzine prema vašim potrebama.

- Automatski način rada — ponovo pritisnite tipku za način rada (E), indikator (I) će se upaliti. U ovom režimu, podrazumevana ciljna vlažnost je 55%. Kada vlažnost u prostoriji dostigne 55%, kompresor prestaje da radi, ventilator nastavlja da radi samo. Kada je vlažnost u prostoriji veća od 55%, kompresor ponovo počinje da radi.

U slučaju nestanka struje uređaj ima memorijsku funkciju i može zapamtiti posljednje podešavanje.

Kontinuirana funkcija drenaže

1. Ako trebate odvlažiti zrak duže vrijeme, možete koristiti funkciju kontinuirane drenaže.
 2. Prije kontinuiranog rada tokom dužeg trajanja, potrebna je periodična provjera posebno za filter za čist zrak, odvodnu cijev ili slično.
 3. Skinite rezervoar za vodu (3) iz prvobitnog položaja, umetnite pričvršćenu cijev na rupu za kontinuirani odvod vode (13) prikazano na slici 5.
 4. Kada postavite ciljnu vlažnost pod normalnim režimom odvlaživanja, možete postaviti: 30-35-40-45-50-55-60-65-70-75-80%-CO-30% i tako dalje. "CO" znači kontinuirani način odvlaživanja. U ovom načinu rada brzina ventilatora se može birati između male ili velike brzine.
 5. Nakon završetka kontinuiranog odvlaživanja, rastavite cijev, postavite rezervoar za vodu (3) na prvobitno mjesto i isključite uređaj.
- Odvodno crijevo: dužina: 30 cm, unutrašnji promjer: 17 mm, vanjski promjer: 19 mm.

Rad tajmera - funkcija odgode zaustavljanja

Da biste podesili funkciju ISKLJUČIVANJA tajmera - ODGOĐENJE STOP koristite dugme tajmera (C).

Funkcija isključivanja tajmera može se podesiti kada uređaj radi. Pritisnite tipku tajmera (C), indikator tajmera (M) će zasvijetliti. LED digitalni displej (S) svijetli i pojavljuje se "00", trebate pritisnuti tipke plus ili minus (B) da odaberete željeno vrijeme za isključivanje uređaja. Nakon što je tajmer podešen, vrijeme će biti prikazano na 5 sekundi i zapamtiti. Kada je tajmer podešen, za proveru sa levim vremenom pritisnite dugme tajmera (C). Uređaj će se automatski isključiti nakon podešenog vremena. Za resetovanje funkcije tajmera potrebno je kontinuirano pritiskanje tipke tajmera (C) dok vrijednost vremena treperi, vrijednost vremena će se promijeniti na nulu. Raspon tajmera je od 1 do 24 sata sa intervalom od 1 sata.

Provjera sobne temperature

Da biste provjerili trenutnu temperaturu prostorije, pritisnite dugme Plus nekoliko sekundi, kada će vrijednost biti prikazana na LED digitalnom displeju (S), istovremeno će se prikazati indikator temperature (N).

Provjera vlažnosti u prostoriji

Da biste provjerili trenutnu vlažnost u prostoriji, pogledajte vrijednost prikazanu na LED digitalnom displeju (S) ili pogledajte vrijednost prikazanu na prednjem digitalnom displeju (12), istovremeno će indikator vlažnosti (O) zasvijetliti na komandi panel (1). Kada trenutna vlažnost u prostoriji dostigne podešenu relativnu vlažnost, indikator ciljane vlažnosti (P) će se upaliti.

Ponovo pritisnite prekidač za napajanje (A) da isključite uređaj, uređaj prestaje da radi, samo indikator napajanja (R) će treptati da obavesti da je uređaj u stanju pripravnosti. Kada je uređaj uključen. Indikator napajanja (R) svijetli.

Praznjenje rezervoara za vodu

1. Ako je rezervoar za vodu (3) pun ili rezervoar za vodu (3) nije instaliran u ispravnom položaju, indikacija punog rezervoara za vodu (Q) svjetli na kontrolnoj tabli (1), oglašava se zujalica. Uređaj će automatski prekinuti rad.
2. Kada indikatorna lampica punog rezervoara za vodu (Q) treperi, uređaj prestaje sa radom dok se rezervoar za vodu ne isprazni ili ne postavi u ispravan položaj.
3. Da biste uklonili rezervoar za vodu (3), lagano povucite rezervoar za vodu prema sebi držeći konkavne delove rezervoara za vodu. Pogledajte sliku 3.
4. Da biste ispraznili rezervoar za vodu (3), koristite ručku za nošenje, zatim ga nagnite kao što je prikazano na slici 4 i polako ispustite vodu. Zatim postavite ručicu ravno prije nego što lagano gurnete spremnik (3) u prethodni položaj unutar kućišta.
5. S vremena na vrijeme spremnik za vodu (6) treba ga očistiti iznutra. Da biste otvorili rezervoar za vodu (3), podesite položaj ručke rezervoara za vodu u obliku rupa u dva plastična dela na koja je ručka sastavljena i lagano proširite obe ivice ručke da biste potpuno rastavili ručku. Sada možete otvoriti poklopac rezervoara za vodu i očistiti rezervoar vodom sapunom za suđe i mekom krpom. Nemojte rastavljati ili podizati plovak (6) iz rezervoara za vodu (3). Pogledaj sliku

Zujalica

Čuje se 20 sekundi kada se rezervoar za vodu (3) izvadi tokom rada.

Čišćenje i održavanje

1. Isključite uređaj i izvucite utikač iz utičnice prije početka bilo kakvog čišćenja ili drugog rutinskog održavanja.
2. Da biste izbjegli rizik od strujnog udara, nikada nemojte prskati ili proljevati vodu po odvlaživaču zraka prilikom čišćenja.
3. Isključite uređaj i ispraznite vodu iz rezervoara za vodu pre pomeranja uređaja. Obavezno držite ručku dok se krećete.
4. Obrišite kućište uređaja mokrom i mekom krpom.
5. Nemojte rastavljati plovak (6) iz rezervoara za vodu (3).
6. Prije planiranog kontinuiranog rada tokom dužeg trajanja, potrebna je periodična provjera posebno za mrežasti filter zraka (8), filter s aktivnim ugljem (11) i odvodnu cijev (13) ili slično.
7. Za čišćenje ili zamjenu filtera:
 - izvucite utikač i izvadiite rezervoar za vodu (3)

- uklonite kućište filtera (9) kao što je prikazano na slici 5
 - izvadite mrežasti filter za zrak (8) iz kućišta i nježno uklonite filter s aktivnim ugljem (11)
 - izvucite HEPA filter (7) iz uređaja
 - svake dvije sedmice očistite sva tri filtera usisivačem ili ih lagano tapkajte da ih istresite. Performanse odvlaživanja mogu se smanjiti ako su filteri začepljeni prljavštinom
 - vratite filtere i ponovo sastavite kućište filtera (9).
- Ako su filteri ozbiljno zaprljani, operite u vodi uključujući neutralni deterdžent, dobro isperite vodom i ostavite dok se ne osuše.
8. Ne čistite uređaj benzinom, razređivačem ili tečnim deterdžentom.
9. Prije dužeg skladištenja: spojite kabel za napajanje, ispraznite spremnik za vodu i obrišite ga mekom krpom, očistite i osušite sve filtere. Postavite uređaj uspravno kako biste izbjegli kvar ili nenormalan zvuk u budućnosti, izbjegavajte izlaganje direktnoj sunčevoj svjetlosti.

Problem – otklanjanje: provjerite donju listu prije nego kontaktirate prodavca:

1. Problem: nema operacije

Provjera 1: provjerite da li je utikač isključen.

Rješenje 1: potpuno i sigurno umetnite utikač u električnu utičnicu

Kontrolna točka 2: provjerite da li je rezervoar za vodu pun vode

Rješenje 2: Ispraznite vodu iz rezervoara .

Kontrolna točka 3: provjerite da li rezervoar za vodu nije pravilno postavljen na svoje mjesto .

Rješenje 3: Namjestite spremnik na uređaj kako treba

Kontrolna točka 4: provjerite da li je gornji poklopac od crne plastike za izlaz zraka zatvoren

Rješenje 4: otvorite gornji poklopac

2. Problem: kapacitet odvlaživača je mali

Kontrolna točka 1: provjerite jesu li filteri prljavi

Rješenje 1: Očistite filtere kako je navedeno u poglavlju Čišćenje i održavanje u tački 7

Kontrolna točka 2: provjerite da li su otvori za zrak začepljeni

Rješenje 2: uklonite prepreke iz otvora za zrak

Kontrolna točka 3: pogledajte da li je odvlaživač u režimu cirkulacije vazduha

Rješenje 3: Promijenite način rada u način odvlaživanja

3. Problem: glasan zvuk tokom rada

Kontrolna točka 1: provjerite da li je uređaj ispravno instaliran

Rješenje 1: Instalirajte uređaj na ravan i stabilan pod

4. Problem: oprane krpe se ne suše

Kontrolna tačka 1: proverite da li oprana odeća nije izložena vazduhu iz uređaja

Rješenje 1: Pokušajte opranu odjeću izložiti strujanju zraka

Kontrolna točka 2: provjerite da li je sobna temperatura preniska

Rešenje 2: Opranu odeću je teško sušiti pod uslovima niske temperature

Uređaj radi ispravno kada se dogodi sljedeća pojava:

1. Opis fenomena: Rad povremeno prestaje

Razlog pojave: Uređaj se odmrzava

2. Opis fenomena: Odvlaženi volumen je mali

Razlog pojave: Zapremina odvlaživača je manja kada je sobna temperatura niska.

3. Opis fenomena: Vlaga u prostoriji je i dalje visoka

Razlog pojave: Veličina sobe je možda prevelika . Vrata ili prozori sobe mogu se otvoriti i / ili zatvoriti često . Odvlaživač se koristi u blizini kerozinskog grijača koji emituje paru .

4. Opis fenomena: Loš miris tokom rada

Razlog pojave: Miris se emituje iz zidova , nameštaja ili drugih predmeta .

5. Opis fenomena: Zvuk se proizvodi unutar uređaja

Razlog za pojavu: Cirkulacija rashladnog sredstva može uzrokovati zvuk dok se ne stabilizira .

6. Opis fenomena: Voda je ostala u rezervoaru za vodu

Razlog pojave: Voda je ostala jer je uređaj u fabrici podvrgnut testu odvlaživanja

7. Opis fenomena: zujalica

Razlog za pojavu: zujalica se oglašava kada je rezervoar za vodu pun vode .

OPREZ: Rashladno sredstvo se može puniti samo u fabrici.

TEHNIČKI PODACI:

Kapacitet odvlaživanja na 30°C / 80% RH): 25 litara / 24 sata

Kapacitet odvlaživanja na 27°C / 60% RH): 13 litara / 24 sata

Nivo buke: <= 48dB (A)
Kapacitet rezervoara za vodu: 6,5 litara
Protok zraka: 195 m³ / sat
R290 težina rashladnog sredstva: max. 65 grama
Nazivna ulazna snaga: 320W
Max. Nazivna ulazna snaga: 420W
Napajanje: 220-240V ~50Hz



Oprez, opasnost od požara
NE bušite i ne palite.
Imajte na umu da rashladno sredstvo ne sadrži miris.
Maksimalna količina punjenja rashladnog sredstva: 65g.



Brinuci za okoliš. Molimo Vas da kartonska pakovanja odnesete u otkup otpadnog papira. Polietilenske džakove (PE) bacajte u kontejner za plastiku. Iskorišćen uređaj treba odneti na odgovarajuću deponiju, jer opasni sastojci koji se u njemu nalaze, mogu biti opasni za okoliš. Električni uređaj treba odneti na način, koji ograničava njegovu ponovnu upotrebu i korištenje. Ako se u uređaju nalaze baterije, treba ih izvaditi i odvojeno predati na deponiju. Uređaj se ne smije bacati u kontejner za komunalni otpad!!

MAGYAR

ÁLTALÁNOS BIZTONSÁGI FELTÉTELEK

FONTOS BIZTONSÁGI UTASÍTÁSOK FIGYELMESEN OLVASSA EL ÉS TÖRVÉNYE JÖVŐBEN

1. A készülék használata előtt olvassa el a használati útmutatót, és kövesse az abban található utasításokat. A gyártó nem felel a kárért, amelyet az eszköz rendeltetésszerű használatának vagy nem megfelelő működésének okozott.
2. A készülék csak otthoni használatra készült. Ne használja más célra, amely nem a rendeltetésszerű.
3. A készüléket csak földelt 220 240 V ~ 50Hz feszültségű hálózati aljzathoz szabad csatlakoztatni. Az üzembiztonság növelése érdekében több elektromos készüléket nem szabad egyszerre csatlakoztatni egy áramkörhöz.
4. Nagyon óvatosan járjon el az eszköz használatakor, ha a közelben vannak gyermekek. Ne engedje, hogy gyermekek játszanak az eszközzel, ne engedjék, hogy gyermekek vagy a készüléket ismeretlen emberek használják.
5. FIGYELMEZTETÉS: Ezt a készüléket 8 évesnél idősebb gyermekek és korlátozott fizikai, érzékszervi vagy mentális képességekkel rendelkező személyek, vagy azok a személyek használhatják, akiknek nincs tapasztalata vagy ismerete a berendezésről, ha ezt egy felelős személy felügyelete alatt végzik. biztonságuk érdekében, vagy információkat kaptak nekik az eszköz biztonságos használatáról, és tisztában vannak annak használatának veszélyeivel. A gyermekek nem játszhatnak a felszereléssel. Az eszköz tisztítását és karbantartását csak gyermekek végezhetik, kivéve ha 8 évesnél idősebbek, és ezeket a tevékenységeket felügyelet mellett végzik el.
6. Használat után mindig húzza ki a hálózati csatlakozót az aljzat kezével. NE húzza be a tápkábelt.
7. Ne merítse a kábelt, a dugót és az egész készüléket vízbe vagy más folyadékba. Ne tegye ki a készüléket légköri körülményeknek (eső, nap, stb.), illetve ne használja magas páratartalom esetén (fürdőszoba, nedves mobilházak).

8. Rendszeresen ellenőrizze a tápkábel állapotát. Ha a tápkábel sérült, akkor a veszély elkerülése érdekében szakszervizben kell cserélni.
9. Ne használja a készüléket sérült tápkábellel, ha leesett vagy egyéb módon megsérült, vagy nem működik megfelelően. Ne javítsa saját kezűleg a készüléket, mert fennáll az áramütés veszélye. Vigye a sérült készüléket megfelelő szervizközpontba ellenőrzés vagy javítás céljából. Minden javítást csak hivatalos szerviz végezhet. A helytelenül elvégzett javítások súlyos veszélyt jelenthetnek a felhasználó számára.
10. Helyezze a készüléket hűvös, stabil felületre, távol a forró konyhai készülékektől, például: elektromos tűzhely, gázégő stb.
11. Ellenőrizze, hogy semmi nem akadályozza-e a készülék levegő be- és kimenetet
12. A készüléket csak sík felületen használja, hogy megakadályozza a kondenzvíz kiömlését
13. A kiegészítő védelem érdekében tanácsos az áramkörbe beépíteni olyan maradékáram-eszközt (RCD), amelynek névleges maradékáram nem haladja meg a 30 mA-t. Kérdezzen egy villanyszerelőtől.
14. Rendszeresen tisztítsa meg a légszűrőt. A tisztítás gyakorisága a levegő tisztaságától függ.
15. A gép kikapcsolása után várjon legalább 5 percet, mielőtt újra bekapcsolja.
16. A hatékony szárítás érdekében legalább 20 cm rést kell használni az eszközök oldalfalai és a sűrített bútorok vagy függönyök között.
17. A tűz vagy robbanás kockázatának elkerülése érdekében ne permetezze be a szárítógépet
18. A ház alkatrészeinek használatához ne tegye a szárítót fűtőberendezések közelébe.
19. Távolítsa el a tartályból összegyűjtött vizet. Véletlen ivás vagy más emberekkel történő betegség betegséget okozhat.
20. Nem támogatja azokat az eszközöket, amelyeknek a hátlapja mozgó és forró alkatrészek miatt le lett távolítva.
21. A felolvasztás vagy a működési folyamat elvégzéséhez csak a gyártó által ajánlott eszközöket használjon.
22. Az eszköznek a gyújtóforrások állandó listájának részeként rendelkezésre kell állnia, vagyis nyílt láng nélkül, működő gázkészülék vagy működő eszköz fűtőberendezése nélkül.
23. Ne szűrje át és ne dohányozzon.
24. Felhívjuk figyelmét, hogy a hűtőgyártók nem tartalmazhatnak illatanyagokat.

Az első használat előtt:

1. A páráltanítót sík és stabil felületen kell használni, a megfelelő hatékonyság biztosítása érdekében tartson távolságot az egység és más tárgyak között az 1. ábra szerint. Csukja be az összes ablakot és ajtót a helyiségből, ahol száradni kívánja a levegőt.
2. A víz fagyásának elkerülése érdekében ne használja a szárítót és a lefolyótömlőt 0 ° C alatti környezeti hőmérsékleten.
3. Ne használja a szárítót kívül. A közvetlen napfénynek vagy esőnek való kitétség túlmelegedést, áramütést és tüzet okozhat.
4. Ne tegye a viztartályt a páramentesítőbe, hogy ne kerüljön víz a készülék belsejébe, és ne károsodjon a szigetelése.
5. Soha ne kísérelje meg a szárítót speciális célokra, például ételek szárításához vagy műtárgyak tartósításához vagy hasonlóhoz.

6. Ne használja a szárítót, ahol olaj vagy gyúlékony gáz szivároghat. Ne használja a készüléket vegyi anyagoknak kitett helyeken.
7. A folyamatos leeresztéshez ellenőrizze, hogy a leeresztőcső megfelelően van-e beállítva lejtőn.
8. Vigyázzon, hogy a fűtőkészülék ne legyen kitéve a páratlanító szélének.
9. Ne használja a páratlanítót székként vagy lábszárként.
10. Ne vegye le az úszókart a víztartályból.
11. Ne takarja el a levegő bemeneti nyílásait és a levegő kimeneteit.
12. Ne takarja le a mosott ruhát.

Termékleírás: AD7863 2in1 légszárító és légtisztító

- | | |
|--|------------------------------------|
| 1. Kezelőpanel | 2. Levegő bemenet |
| 3. Víztartály 6,5L | 4. Levegő kimenet |
| 5. Fogantyú | 6. Úszó |
| 7. HEPA légszűrő | 8. Mosható hálós levegő előszűrő |
| 9. Szűrőház | 10. Páratartalom visszajelző lámpa |
| 11. Aktív szénzsűrő | 12. Előelső digitális kijelző |
| 13. Lyuk a csőhöz a folyamatos vízelvezetéshez | |

Vezérlőpult (1):

- | | |
|--|---|
| A. Tápkapcsoló | B. Plusz és mínusz gombok |
| C. Időzítő 0-24 óra gomb | D. Ventilátor sebesség gomb |
| E. Üzem mód gomb | F. Ruhaszáritás üzemmód jelzője |
| G. Normál üzemmód jelző | H. Levegőkeringetés üzemmód jelző |
| I. Automatikus üzemmód jelző | J. A készülék önleolvasztásának jelzése |
| K. Ventilátor nagy sebesség jelző | L. Ventilátor alacsony fordulatszám jelző |
| M. Időzítő jelző | N. Hőmérsékletjelző |
| O. Páratartalom jelző | P. Cél páratartalom jelző |
| Q. Tele víztartály jelző | R. Teljesítményjelző |
| S. LED digitális páratartalom és időzítő és szobahőmérséklet kijelző | |

FELHASZNÁLÁSI FELTÉTELEK

Ez a páratlanító nem alkalmas a páratartalom nagyon alacsonyan tartására, körülbelül 50 % vagy annál alacsonyabb szinten . Ezt a páratlanítót úgy tervezték, hogy eltávolítsa a kellemetlen páratartalmat a mindennapi életben, és a mosott ruhák beltéri szárítására szolgál . Ez nem alkalmas a páratartalom nagyon alacsonyan tartására .

Normális, hogy a készülék működés közben hőt termel, és a szobahőmérséklet 1-4 C-kal emelkedik, mivel ennek a készüléknek nincs hűtési funkciója . A hőmérséklet magasabb lesz, ha szekrényben vagy hasonlóban használják . Továbbá a szobahőmérséklet emelkedik, mert az ajtók és ablakok zárva vannak, és a helyiségben lévő egyéb készülékek és a napsugárzás hőt termelnek . Ez a páratlanító nem alkalmas extrém alacsony hőmérséklet tartására. Ennek a páratlanítónak az a feladata, hogy elszívja a kellemetlen, magas páratartalmat.

A KÉSZÜLÉK ÖNLEOLVASZTÓ FUNKCIÓJA

Amikor a gép felgyülemlik a készülék belsejében lévő elpárologtató telercséken, az automatikus leolvasztás funkció elindul. A kompresszor kikapcsol, és a ventilátor tovább fog működni, amíg a fagy el nem távolodik. Amikor a készülék működik 5 Celsius-fok és 12 Celsius-fok közötti szobahőmérsékleten 8 percenként körülbelül 3 percet leáll. Ha a készülék 12 fok közötti szobahőmérsékleten működik Celsius-fok és 18 Celsius-fok , akkor kb 5 perc 25 percenként. Ha a készülék 18 Celsius fok közötti szobahőmérsékleten működik és 23 Celsius fok 120 percenként körülbelül 5 percet leáll. Várjon 3 percet, mielőtt folytatná a működést. Miután a kompresszor leállt, nem tudja újraindítani a működését amíg el nem telik a 3 perc. A kezelőpanelen (1) lévő jelzőfény (J) mindaddig világít, amíg az önleolvasztás aktív.

FONTOS!

A páratlanító funkció és a légtisztító funkció is leáll a leolvasztás alatt . Leolvasztás közben ne húzza ki a készülék csatlakozóját, és ne kapcsolja ki a készüléket .

Páratlanító képesség

1. A páratlanító napi páratlanító kapacitása a szobahőmérséklettől és a relatív páratartalomtól függ. Különböző hőmérsékleteken és relatív páratartalom mellett eltérő páratlanító képességgel rendelkezhet.
2. Ugyanazon szobahőmérsékleten magasabb relatív páratartalom mellett nagyobb a páratlanító kapacitás, alacsonyabb relatív páratartalom esetén pedig kisebb a páratlanító képesség. Ugyanazon relatív páratartalom mellett magasabb hőmérsékleten nagyobb a páratlanító képesség, alacsonyabb hőmérsékleten pedig kisebb a páratlanító képesség.
3. Ha a páratlanítót a szekrényben helyezi el, annak páratlanító képessége az üzemeltetést követő rövid időn belül jelentősen

lecsökkenhet, mivel a szekrényben lévő páratartalom jelentősen csökkent.

4. 30°C / 27°C szobahőmérséklet és 80% / 60% relatív páratartalom esetén a páratlanító kapacitás 25 /13 liter víz körül van, amikor a levegőkimenet teljesen nyitva van.

Levegőtisztító rendszer - 3 fokozatú szűrés

A rendszert úgy tervezték, hogy eltávolítsa a levegőből a szennyező részecskéket és a szagokat. A készülék a következő szűrőket tartalmazza:

1. Mosható hálós levegő-előszűrő (8): a levegőben lévő por és haj szűrésére használható.
2. Aktív széniszűrő: távolítsa el a pl. cigaretta, házi kedvenc stb. által okozott szagokat.
3. HEPA szűrő H13: Szűri a port, a szennyező részecskéket és frissíti a levegőt. A HEPA H13 szűrő hatékonyan visszatartja a 0,3 mikron méretű szennyező részecskék 99,95%-át az áramló levegőben. A HEPA H13 szűrő alkalmas allergiások légtisztítására.

Művelet

1. Kérjük, helyezze a készüléket függőlegesen, hogy elkerülje a működéskihagyást és a szokatlan hangokat. Tartson távolságot a többi objektum között az 1. képen látható módon.

2. A HEPA szűrő (7) polizsákokba van csomagolva, használat előtt kérjük, távolítsa el a polizsákokat.

3. Nyissa ki a készülék tetején lévő fekete fedelet, hogy a levegő könnyen kijöjjön.

4. Csatlakoztassa a készüléket, a tápkapcsoló (A) villog a kezelőpanelen (1), nyomja meg a készülék bekapcsolásához. A digitális kijelző (S) mutatja a helyiség jelenlegi páratartalmát. Ezzel egyidejűleg a páratartalom visszajelző lámpa (10) kigyullad a készülék elülső felső szélén.

Működés közben a páratartalom jelzőfény mutatja a helyiség aktuális páratartalmát:

- A kék szín alacsony páratartalmat jelent 50% relatív páratartalom alatt

- A zöld szín közepes páratartalmat jelent 51% - 69% relatív páratartalom tartományban

- A piros szín magas páratartalmat jelent, 70% feletti relatív páratartalom

Kérjük, vegye figyelembe, hogy a relatív páratartalom értéke 3%-os toleranciával rendelkezik, amikor a megfelelő jelzőfény világít.

5. Nyomja meg az üzemmód gombot (E) ciklus közben a kívánt üzemmód kiválasztásához:

- Ruhaszárítás üzemmód – nyomja meg az üzemmód gombot (E) egyszer, a jelzőfény (F) kigyullad. A gyors működés érdekében a kompresszor folyamatosan, megállás nélkül működik, kivéve ha a víztartály (3) megtelt. A ventilátor folyamatosan nagy sebességen működik.

- Normál üzemmód – nyomja meg ismét az üzemmód gombot (E), ekkor a jelzőfény (G) kigyullad. Normál működés mellett kompresszor működik. A felhasználó beállíthatja a kívánt páratartalmat a plusz és mínusz gombok (3) megnyomásával. A beállított páratartalom: 30%-80% 5%-os lépéssel. Amikor eléri a kívánt páratartalmat, a kompresszor leáll. A ventilátor igény szerint nagy és alacsony sebességre is beállítható. A ventilátor sebességének alacsony és magas közötti kiválasztásához nyomja meg a (D) gombot, a megfelelő jelzőfény (K) a nagy sebességhez és (L) az alacsony sebességhez világít.

- Levegőkeringetés üzemmód – nyomja meg ismét az üzemmód gombot (E), ekkor a jelzőfény (H) kigyullad. Ebben az üzemmódban a kompresszor nem működik, csak ventilátor működik. Beállíthatja a ventilátor sebességét: alacsony és nagy sebesség között az Ön igényei szerint.

- Automatikus üzemmód – nyomja meg ismét az üzemmód gombot (E), ekkor a visszajelző (I) kigyullad. Ebben az üzemmódban az alapértelmezett célpáratartalom 55%. Amikor a helyiség páratartalma eléri az 55%-ot, a kompresszor leáll, a ventilátor csak tovább működik. Ha a helyiség páratartalma meghaladja az 55%-ot, a kompresszor újra működni kezd.

Áramszünet esetén a készülék memória funkcióval rendelkezik, és képes megjegyezni az utolsó beállítást.

Folyamatos vízvezető funkció

1. Ha hosszabb ideig kell páratlanítani a levegőt, használhatja a folyamatos vízvezetés funkciót.

2. Hosszú ideig tartó folyamatos működés előtt időszakos ellenőrzés szükséges, különösen a levegőtisztító szűrő, a lefolyócső vagy hasonló esetében.

3. Vegye ki a víztartályt (3) az eredeti helyzetéből, helyezze be a csatlakoztatott csövet a folyamatos vízleeresztő furatba (13) az 5. képen látható.

4. Ha normál páratlanítási módban beállítja a célpáratartalmat, beállíthatja: 30-35-40-45-50-55-60-65-70-75-80%-CO-30% és így tovább. A „CO” folyamatos páratlanítási módot jelent. Ebben az üzemmódban a ventilátor sebessége alacsony vagy nagy sebesség között választható.

5. A folyamatos párasítás befejezése után szerelje szét a csövet, helyezze a víztartályt (3) az eredeti helyére, és kapcsolja ki a készüléket.

Lefolyócső: hossza: 30 cm, belső átmérője: 17 mm, külső átmérője: 19 mm.

Időzített működés - Késleltetett leállítás funkció

A Timer OFF funkció - KÉSLELTETETT LEÁLLÍTÁS beállításához használja az időzítő gombot (C).

Az időzítő kikapcsolási funkciója beállítható, amikor a készülék működik. Nyomja meg az Időzítő gombot (C), az időzítő jelzése (M) kigyullad. A LED digitális kijelző (S) világít, és megjelenik a „00”, nyomja meg a plusz vagy mínusz gombokat (B) a készülék

kikapcsolásának kívánt időpontjának kiválasztásához. Az időzítő beállítása után az idő 5 másodpercig látható lesz, és ne feledje. Az időzítő beállítása után a bal idő ellenőrzéséhez nyomja meg az időzítő gombot (C). A készülék a beállítási idő letelte után automatikusan kikapcsol. Az időzítő funkció visszaállításához folyamatosan nyomva kell tartani az időzítő gombot (C), miközben az időérték villog, az idő értéke nullára változik. Az időzítő tartománya 1-24 óra, 1 órás intervallummal.

Szobahőmérséklet ellenőrzése

Az aktuális szobahőmérséklet ellenőrzéséhez nyomja meg a Plusz gombot néhány másodpercig, amikor az érték megjelenik a LED digitális kijelzőn (S), egyidejűleg a hőmérsékletjelző (N) is megjelenik.

A helyiség páratartalmának ellenőrzése

A helyiség aktuális páratartalmának ellenőrzéséhez nézze meg a LED digitális kijelzőn (S) vagy az első digitális kijelzőn (12) mutatott értéket, ezzel egyidejűleg a páratartalom jelző (O) világít a vezérlőn. panel (1). Amikor a helyiség jelenlegi páratartalma elérte a beállított relatív páratartalmat, a célpáratartalom-jelző (P) világít.

Nyomja meg ismét a főkapcsolót (A) a készülék kikapcsolásához, a készülék leáll, csak a tápfeszültség jelző (R) villogása jelzi, hogy a készülék készenléti állapotban van. Amikor a készülék be van kapcsolva. A bekapcsolásjelző (R) világít.

A víztartály ürítése

1. Ha a víztartály (3) megtelt, vagy a víztartály (3) nincs megfelelően beszerelve, a tele víztartály jelzés (Q) világít a kezelőpanelen (1), és megszólal a hangjelzés. A készülék működése automatikusan leáll.
2. Amikor a teli víztartály jelzőfénye (Q) villog, a készülék leáll, amíg a víztartály ki nem ürül vagy a megfelelő pozícióba kerül.
3. A víztartály (3) eltávolításához óvatosan húzza maga felé a víztartályt a víztartály homorú részeit megfogva. Nézd meg a 3. képet.
4. A víztartály (3) kiürítéséhez használjon fogantyút, majd döntse meg a 4. képen látható módon, és lassan engedje le a vizet. Ezután fektesse le a fogantyút, mielőtt finoman visszanyomná a tartályt (3) az előző helyzetébe a házban.
5. Időnként meg kell tisztítani a víztartályt (6) belülről. A víztartály (3) kinyitásához állítsa be a víztartály fogantyújának helyzetét a két műanyag részen lévő lyukak alakjához, amelyekhez a fogantyú össze van szerelve, és finoman húzza ki a fogantyút mindkét szélét, hogy a fogantyút teljesen szétszedje. Most kinyithatja a víztartály fedelét, és mosogatószeres vízzel és puha ruhával megtisztíthatja a víztartályt. Ne szerelje szét és ne emelje fel az úszót (6) a víztartályból (3). Nézd meg a képet

Berregő

20 másodpercig szól, ha a víztartályt (3) működés közben kiveszi.

Tisztítás és karbantartás

1. Kapcsolja ki a készüléket, és húzza ki a hálózati csatlakozót, mielőtt bármilyen tisztítási vagy egyéb rutinszerű karbantartást végezne.
2. Az áramütés veszélyének elkerülése érdekében tisztításkor soha ne szórjon vagy öntsön vizet a páratlanítóra.
3. A készülék mozgatása előtt kapcsolja ki a készüléket és ürítse ki a vizet a víztartályból. Mozgás közben feltétlenül fogja meg a fogantyút.
4. Nedves és puha ruhával törölje le a készülék házát.
5. Ne szerelje le az úszót (6) a víztartályról (3).
6. A tervezett, hosszú ideig tartó folyamatos üzemelés előtt időszakos ellenőrzés szükséges, különösen a hálós levegőszűrő (8), az aktívzén szűrő (11) és a lefolyócső (13) vagy hasonló esetében.
7. A szűrők tisztítása vagy cseréje:
 - húzza ki a csatlakozódugót és vegye ki a víztartályt (3)
 - távolítsa el a szűrőházat (9) az 5. ábra szerint
 - távolítsa el a hálós levegőszűrőt (8) a házból, és óvatosan távolítsa el az aktívzén szűrőt (11)
 - húzza ki a HEPA szűrőt (7) a készülékből
 - kéthetente tisztítsa meg mindhárom szűrőt porszívóval, vagy enyhén ütögesse ki, hogy kirázza őket. A páratlanítási teljesítmény csökkenhet, ha a szűrők eltömődnek szennyeződéssel
 - tegye vissza a szűrőket és szerelje vissza a szűrőházat (9).Ha a szűrők súlyosan elszennyeződtek, mossa el semleges mosószert tartalmazó vízzel, alaposan öblítse le vízzel, és hagyja megszáradni.
8. Ne tisztítsa a készüléket benzinnel, hígítóval vagy folyékony mosószerral.
9. Hosszabb tárolás előtt: csomagolja össze a tápkábel, ürítse ki a víztartályt és törölje le a puha ruhával, tisztítsa meg és szárítsa meg az összes szűrőt. Állítsa a készüléket függőleges helyzetbe, hogy a jövőben elkerülje a hibás működést vagy a rendellenes hangot, és kerülje a közvetlen napfény hatását.

Hibaelhárítás: ellenőrizze az alábbi listát, mielőtt kapcsolatba lépne az eladóval:

1.Probléma: nincs művelet

1. ellenőrzési pont: ellenőrizze, hogy a tápcsatlakozó ki van-e húzva.

1. megoldás: dugja be teljesen és biztonságosan a dugót az elektromos aljzatba
2. ellenőrzési pont: ellenőrizze, hogy a víztartály tele van-e vízzel
2. megoldás: Úrítse ki a vizet a tartályból .
3. ellenőrzési pont: ellenőrizze, hogy a víztartály nincs-e megfelelően beállítva .
3. megoldás: Helyezze a tartályt az eszközhöz megfelelően a helyére
4. ellenőrzési pont: ellenőrizze, hogy a fekete műanyagból készült felső fedél le van-e zárva
4. megoldás: nyissa fel a felső fedelet
2. Probléma: a párártlanító kapacitása kicsi
1. ellenőrzési pont: ellenőrizze, hogy a szűrők szennyezettek-e
1. megoldás: Tisztítsa meg a szűrőket a 7. pont Tisztítás és karbantartás című fejezetében leírtak szerint
2. ellenőrzési pont: ellenőrizze, hogy a levegőnyílások nincsenek-e eltömődve
2. megoldás: távolítsa el az akadályokat a levegőnyílásokból
3. ellenőrzési pont: ellenőrizze, hogy a párártlanító légkeringető üzemmódban van-e
3. megoldás: Állítsa át az üzemmódot párártlanító módra
3. Probléma: hangos hang működés közben
1. ellenőrzési pont: ellenőrizze, hogy az eszköz megfelelően van-e telepítve
1. megoldás: Telepítse a készüléket vízszintes és stabil padlóra
4. Probléma: a kimosott ruha nem szárad meg
1. ellenőrzési pont: ellenőrizze, hogy a kimosott ruhák nincsenek-e kitéve a készülék levegőjének
1. megoldás: Próbálja ki a kimosott ruhát a levegő áramlásának
2. ellenőrzési pont: ellenőrizze, hogy a helyiség hőmérséklete nem túl alacsony-e
2. megoldás: A kimosott ruha alacsony hőmérsékleten nehezen szárítható

A készülék megfelelően működik, ha a következő jelenség fordul elő:

1. Jelenség leírása: A működés időnként leáll
- A jelenség oka: A készülék leolvadt
2. A jelenség leírása: A párártlanított térfogat kicsi
- A jelenség oka: A párártlanító térfogata kisebb, ha a helyiség hőmérséklete alacsony.
3. A jelenség leírása: A helyiség páratartalma továbbra is magas
- A jelenség oka: Lehet, hogy a szoba mérete túl nagy . A helyiség ajtaja vagy ablaka nyitható és / vagy zárható gyakran . A párártlanítót a gőzt kibocsátó kerozin fűtőtest közelében használják .
4. Jelenség leírása: Rossz szag működés közben
- A jelenség oka: A falak , bútorok vagy egyéb tárgyak szagot bocsátanak ki .
5. Jelenség leírása: Hang keletkezik a készüléken belül
- A jelenség oka: A hűtőközeg keringése hangot okozhat, amíg az stabil nem lesz .
6. A jelenség leírása: Viz maradt a víztartályban
- A jelenség oka: A víz azért maradt meg, mert a készüléket a gyárban párártlanító tesztnek vetették alá
7. Jelenség leírása: Megszólal a berregő
- A jelenség oka: A hangjelzés megszólal, ha a víztartály tele van vízzel .

VIGYÁZAT: A hűtőközeget csak a gyár töltheti be.

MŰSZAKI ADATOK:

Párártlanító kapacitás 30°C-on / 80% relatív páratartalom: 25 liter / 24 óra
 Párártlanító kapacitás 27°C-on / 60% relatív páratartalom: 13 liter / 24 óra
 Zajszint: <= 48 dB (A)
 Víztartály kapacitása: 6,5 liter
 Légáramlás: 195 m³ / óra
 R290 hűtőfolyadék tömege: max. 65 gramm
 Névleges bemeneti teljesítmény: 320 W
 Max. Névleges bemeneti teljesítmény: 420 W
 Tápellátás: 220-240V ~50Hz



Vigyázat, tűzveszély.
 NE átszúrja vagy égesse.
 Vegye figyelembe, hogy a hűtőközeg nem tartalmazhat szagokat.
 A hűtőközeg maximális töltöttsége: 65 g.



A környezet védelme érdekében kérjük külön karton dobozok és műanyag zsákokat és dobja őket a megfelelő hulladék közé. Használt készüléket kell eljuttatni a kijelölt gyűjtőhelyekre miatt veszélyes elemek alkatrészeket, amelyek hatással lehetnek a környezetre. Ne dobja a készüléket a közös szemétkosárba.

YLEISET TURVALLISUUSOLOSUHTEET

TÄRKEITÄ TURVAOHJEITA LUE HUOLELLISESTI JA SÄILYTÄ TULEVAISUUTTA

1. Lue käyttöohjeet ja noudata niiden ohjeita ennen laitteen käyttöä. Valmistaja ei ole vastuussa vahingoista, jotka aiheutuvat laitteen käyttötarkoituksen vastaisesta käytöstä tai virheellisestä käytöstä.
2. Laite on tarkoitettu vain kotikäyttöön. Älä käytä muihin tarkoituksiin, jotka eivät ole sen käyttötarkoitukseen.
3. Laite saa kytkeä vain pistorasiaan, jonka maadoitus on 220 240 V ~ 50 Hz. Käyttöturvallisuuden lisäämiseksi useita sähkölaitteita ei tule kytkeä samaan virtapiiriin.
4. Ole erityisen varovainen käyttäessäsi laitetta, kun lapset ovat lähellä. Älä anna lasten leikkiä laitteen kanssa, älä anna lasten tai muiden tuntemattomien käyttää sitä.
5. VAROITUS: Tätä laitetta voivat käyttää yli 8-vuotiaat lapset ja henkilöt, joilla on rajoitetut fyysiset, aisti- tai henkiset kyvyt tai ihmiset, joilla ei ole kokemusta tai tietoa laitteista, jos tämä tehdään vastuussa olevan henkilön valvonnassa. heidän turvallisuutensa vuoksi tai heille on annettu tietoja laitteen turvallisesta käytöstä ja he ovat tietoisia laitteen käytön vaaroista. Lasten ei tulisi leikkiä laitteilla. Laitetta ei saa puhdistaa ja huoltaa, elleivät lapset ole yli 8-vuotiaita ja nämä toimet suoritetaan valvonnassa.
6. Irrota virtajohto aina pitämällä pistorasiaa kädellä käytön jälkeen. ÄLÄ vedä virtajohtoa.
7. Älä upota kaapelia, pistoketta ja koko laitetta veteen tai muuhun nesteeseen. Älä altista laitetta ilmasto-olosuhteille (sade, aurinko jne.) Tai käytä korkean kosteuden olosuhteissa (kylpyhuoneet, kosteat asuntovaunut).
8. Tarkista säännöllisesti virtajohdon kunto. Jos virtajohto on vaurioitunut, se on vaihdettava erikoistuneeseen korjaamoon vaaran välttämiseksi.
9. Älä käytä laitetta vaurioituneen virtajohdon kanssa tai jos se on pudonnut tai vaurioitunut jollakin muulla tavalla tai jos se ei toimi oikein. Älä korjaa laitetta itse, koska siinä on sähköiskun vaara. Vie vaurioitunut laite asianmukaiseen huoltokeskukseen tarkistamista tai korjaamista varten. Kaikki korjaukset saa suorittaa vain valtuutetut huoltoliikkeet. Väärin suoritettavat korjaukset voivat aiheuttaa vakavan vaaran käyttäjälle.
10. Sijoita laite viileälle, vakaalle alustalle, pois kuumista keittiövälineistä, kuten sähköliesi, kaasupoltin jne.
11. Varmista, että mikään ei estä laitteen ilmanottoa ja poistoa
12. Käytä laitetta vain tasaisella pinnalla estämään kondenssiveden valuminen
13. Lisäsuojauksen tarjoamiseksi on suositeltavaa asentaa sähkövirtapiiriin jäännösvirtalaitte (RCD), jonka nimellisvirtavirta ei ylitä 30mA. Pyydä sitä sähköasentajalta.
14. Puhdista ilmansuodatin säännöllisesti. Puhdistuksen tiheys riippuu ilman puhtaudesta.

15. Kun olet sammuttanut koneen, odota vähintään 5 minuuttia ennen kuin kytket sen takaisin päälle.
16. Tehokasta ilmankuivausta varten laitteiden sivuseinien ja puristettujen huonekalujen tai verhojen väliin tulee käyttää vähintään 20 cm:n rako.
17. Älä suihkuta kuivainta tulipalo- tai räjähdysvaaran välttämiseksi
18. Jos haluat käyttää kotelon osia, älä sijoita ilmankuivainta lämmityslaitteiden läheisyyteen.
19. Poista säiliöön kerätty vesi. Vesi vahingossa juominen tai sen käyttäminen muiden kanssa voi aiheuttaa sairauden.
20. Ei tue laitteita, joissa takakuori on poistettu liikkuvien ja kuumien osien takia.
21. Älä käytä muita kuin valmistajan suosittelemia sulatus- tai käyttöprosesseja.
22. Laitteen tulisi olla saatavana osana pysyvää sytytyslähteiden luetteloa, ts. Ilman avointa liekkiä, ilman toimivaa kaasulaitetta tai ilman toimivan laitteen lämmitintä.
23. Älä lävistä tai tupakoi.
24. Huomaa, että jäähdytysvalmistajat eivät saa sisältää hajusteita.

Ennen ensimmäistä käyttöä:

1. Ilmankuivainta on käytettävä tasaisella ja vakaalla pinnalla. Pidä etäisyydet yksikön ja muiden esineiden välillä kuvan 1 mukaisesti sopivan tehokkuuden varmistamiseksi. Sulje kaikki huoneet, joissa haluat kuivata ilman, kaikki ikkunat ja ovet.
2. Älä käytä ilmankuivainta ja tyhjennysletkua ympäristön lämpötilassa alle 0 °C veden jäätyminen estämiseksi.
3. Älä käytä ilmankuivainta ulkopuolella. Altistuminen suoralle auringonvalolle tai sateelle voi aiheuttaa ylikuumenemisen, sähköiskun ja tulipalon.
4. Älä laita vesisäiliötä ilmankuivaimeen, jotta vältetään veden vuotaminen laitteen sisälle ja se vaurioittaa eristystä.
5. Älä koskaan yritä käyttää ilmankuivainta erityiskäyttöön, kuten elintarvikkeiden kosteudenpoistoon tai taideesineiden säilömiseen tai vastaavaan.
6. Älä käytä ilmankuivainta, jos öljyä tai palavaa kaasua voi vuotaa. Älä käytä laitetta paikoissa, joihin altistuu kemikaaleja.
7. Jatkuvaa tyhjennystä varten varmista, että tyhjennysletku on asetettu oikein kaltevuudella.
8. Ole varovainen, etteivät lämmityslaitteet ole alltiina kosteudenpoistimen aiheuttamalle tuulelle.
9. Älä käytä ilmankuivainta tuolina tai jalkatyökäluna.
10. Älä poista kellukevipua vesisäiliöstä.
11. Älä tukki ilmanottoaukkoja ja ilmanottoaukkoja.
12. Älä peitä yksikköä pestyillä vaatteilla.

Tuotekuvaus: AD7863 2in1 ilmankuivain ja ilmanpuhdistin

- | | |
|--|------------------------------------|
| 1. Ohjauspaneeli | 2. Ilmanottoaukko |
| 3. Vesisäiliö 6,5L | 4. Ilmanpoistoaukko |
| 5. Kahva | 6. Kelluke |
| 7. HEPA- ilmansuodatin | 8. Pestävä verkkoilman esisuodatin |
| 9. Suodattimen kotelo | 10. Kosteuden merkkivalo |
| 11. Aktiivihiilisuodatin | 12. Digitaalinen näyttö edessä |
| 13. Putken reikä jatkuvaan vedenpoistoon | |

Ohjauspaneeli (1):

- | | |
|---|---|
| A. Virtakytkin | B. Plus- ja miinuspainikkeet |
| C. Ajastinpainike 0-24 tuntia | D. Tuulettimen nopeuspainike |
| E. Tilapainike | F. Kuivavaatteet-tilan ilmaisin |
| G. Normaalin toimintatilan ilmaisin | H. Ilmankiertotilan ilmaisin |
| I. Automaattisen tilan ilmaisin | J. Laitteen itsesulatusilmaisoin |
| K. Tuulettimen suuren nopeuden ilmaisin | L. Tuulettimen hitaan nopeuden ilmaisin |
| M. Ajastimen ilmaisin | N. Lämpötilan ilmaisin |
| O. Kosteusosoitin | P. Tavoitekosteuden ilmaisin |
| Q. Täyden vesisäiliön ilmaisin | R. Virran merkkivalo |
| S. Digitaalinen LED-näyttö kosteudesta, ajastin ja huonelämpötila | |

KÄYTTÖEHDOT

Tämä ilmankuivain ei sovellu pitämään kosteutta erittäin alhaisena, noin 50 % tai vähemmän .

Tämä ilmankuivain on suunniteltu poistamaan epämiellyttävä kosteus jokapäiväisessä elämässä ja käytettäväksi pestyjen vaatteiden apukuivaukseen sisätiloissa . Tämä ei sovellu kosteuden pitämiseen erittäin alhaisena .

On normaalia, että laite tuottaa lämpöä käytön aikana ja huoneen lämpötila nousee 1 C - 4 C, koska tässä laitteessa ei ole jäähdytystoimintaa . Lämpötila nousee, kun sitä käytetään kaapissa tai vastaavassa . Lisäksi huoneen lämpötila nousee , koska ovet ja ikkunat ovat kiinni ja lämpöä tuotetaan huoneen muista laitteista ja auringon säteilystä . Tätä ilmankuivaajaa ei voida käyttää äärimmäisen alhaisen lämpötilan pitämiseen. Tämän ilmankuivaajan tehtävänä on pumpata pois epämiellyttävä korkea kosteus.

LAITTEEN ITSESULATUSTOIMINTO

Kun huurre kerääntyy laitteen sisällä oleviin höyrystimen kiereihin, automaattinen sulatustoiminto käynnistyy. The kompressori sammuu ja puhallin jatkaa toimintaansa, kunnes huurre poistuu. Kun laite on käynnissä huoneenlämmössä 5 celsiusastetta ja 12 celsiusastetta , se pysähtyy sulamaan noin 3 minuutiksi 8 minuutin välein. Kun laite toimii huoneenlämmössä 12 asteen välillä celsiusaste ja 18 Celsius-asteella , se lakkaa sulamasta noin 5 minuuttia 25 minuutin välein. Kun laite toimii huoneenlämmössä 18 celsiusasteen välillä ja 23 celsiusaste se pysähtyy sulamaan noin 5 minuutiksi 120 minuutin välein. Odota 3 minuuttia ennen toiminnan jatkamista. Kun kompressori on pysähtynyt, se ei voi käynnistyä uudelleen kunnes 3 minuuttia on kulunut. Merkkivalo (J) ohjauspaneelissa (1) palaa koko ajan, kun itsesulatus on aktiivinen.

TÄRKEÄ !

Sekä kosteudenpoistotoiminto että ilmanpuhdistustoiminto pysähtyvät sulatuksen aikana .

Älä irrota laitteen pistoketta tai sammuta laitetta sulatuksen aikana .

Kuivauskapasiteetti

1. Ilmankuivaajan päivittäinen kosteudenpoistokapasiteetti riippuu huoneen lämpötilasta ja suhteellisesta kosteudesta. Eri lämpötiloissa ja suhteellisessa kosteudessa sillä voi olla erilainen kosteudenpoistokyky.
2. Samassa huoneenlämpötilassa kosteudenpoistokyky on suurempi korkeammassa suhteellisessa kosteudessa ja kosteudenpoistokyky pienempi alhaisemmassa suhteellisessa kosteudessa. Samassa suhteellisessa kosteudessa kosteudenpoistokyky on korkeampi korkeammassa lämpötilassa ja kosteudenpoistokyky pienempi alhaisemmassa lämpötilassa.
3. Jos ilmankuivain sijoitetaan kaappiin, sen ilmankuivauskyky voi heikentyä voimakkaasti lyhyen ajan kuluessa käytön jälkeen, koska kaapin kosteus on vähentynyt huomattavasti.
4. 30°C / 27°C huoneenlämpötilassa ja 80 % / 60 % suhteellisessa kosteudessa ilmanpoistokapasiteetti on vastaavasti noin 25 /13 litraa vettä, kun ilmanpoistoaukko on täysin auki.

Ilmanpuhdistusjärjestelmä - 3-vaiheinen suodatus

Järjestelmä on suunniteltu poistamaan ilman epäpuhtauksia ja hajuja. Laite sisältää seuraavat suodattimet:

1. Pestävä verkkoilman esisuodatin (8): käytä pölyn ja hiusten suodattamiseen ilmassa.
2. Aktiivihiliisuodatin: poista esim. tupakan, lemmikin jne. aiheuttama haju.
3. HEPA-suodatin H13: Se suodattaa pölyn, saastehiukkaset ja raikastaa ilmaa. HEPA H13 -suodatin pidättää tehokkaasti 99,95 % saastehiukkasista, joiden koko on enintään 0,3 mikronia, virtaavassa ilmassa. HEPA H13 -suodatin sopii ilmanpuhdistukseen allergikoille.

Operaatio

1. Aseta laite pystyasentoon välttääksesi toimintahäiriöitä ja epätavallista ääntä. Pidä etäisyydet muiden kohteiden välillä kuvan 1 mukaisesti.

2. HEPA-suodatin (7) on pakattu polybageihin, poista polybag ennen käyttöä.

3. Avaa laitteen päällä oleva musta kansi, jotta ilma pääsee helposti ulos.

4. Kytke laite pistorasiaan, virtakytkin (A) vilkkuu ohjauspaneelissa (1), paina sitä käynnistääksesi laitteen. Digitaalinen näyttö (S) näyttää huoneen nykyisen kosteustason. Samanaikaisesti kosteuden merkkivalo (10) syttyy laitteen yläreunaan.

Käytön aikana kosteuden merkkivalo näyttää nykyisen huoneen kosteustason:

- Sininen väri tarkoittaa alhaista kosteutta alle 50 % suhteellisesta kosteudesta

- Vihreä väri tarkoittaa keskimääräistä kosteutta alueella 51% - 69% suhteellinen kosteus

- Punainen väri tarkoittaa korkeaa kosteutta yli 70 % suhteellisesta kosteudesta

Huomaa, että suhteellisen kosteuden arvolla on 3 % toleranssi, kun vastaava merkkivalo syttyy.

5. Paina tilapainiketta (E) syklin aikana valitaksesi haluamasi toimintatilan seuraavista:

- Kuivaavaatteen – paina tilapainiketta (E) kerran, merkkivalo (F) syttyy. Jotta toiminto toimisi nopeasti, kompressori toimii jatkuvasti ilman taukoa, paitsi jos vesisäiliö (3) on täynnä. Tuuletin pitää suurella nopeudella koko ajan.

- Normaali toimintatila – paina tilapainiketta (E) uudelleen, merkkivalo (G) syttyy. Normaalkäytössä kompressori toimii. Käyttäjää voi asettaa tavoitekosteustason painamalla plus- ja miinuspainikkeita (3). Säädetty kosteusalue on: 30-80 % 5 % askeleella. Kun tavoitekosteus saavuttaa, kompressori lakkaa toimimasta. Tuuletin voidaan asettaa sekä suurelle että alhaiselle nopeudelle

tarpeidesi mukaan. Valitse puhallinnopeus alhaisen ja suuren välillä painamalla painiketta (D), vastaava merkkivalo (K) suurelle nopeudelle ja (L) alhaiselle nopeudelle syytty.

- Ilmankiertotila – paina tilapainiketta (E) uudelleen, merkkivalo (H) syytty. Tässä tilassa kompressori ei toimi, vain tuuletin toimii. Voit säätää tuulettimen nopeutta: matalan ja suuren nopeuden välillä tarpeidesi mukaan.

- Automaattinen tila — Paina tilapainiketta (E) uudelleen, merkkivalo (I) syytty. Tässä tilassa oletuskohdekoosteus on 55 %. Kun huoneen koosteus saavuttaa 55 %, kompressori lakkaa toimimasta, puhallin jatkaa toimintaansa. Kun huoneen koosteus on yli 55 %, kompressori alkaa taas toimia.

Sähkökatkon sattuessa laitteessa on muistitoiminto ja se muistaa viimeisimmän asennuksen.

Jatkuva tyhjennystoiminto

1. Jos sinun on kuivattava ilmaa pitkään, voit käyttää jatkuvaa tyhjennystoimintoa.

2. Ennen jatkuvaa käyttöä pitkään, erityisesti ilmanpuhdistussuodatin, tyhjennysputki tai vastaavat on tarkastettava säännöllisesti.

3. Ota vesisäiliö (3) pois alkuperäisestä asennosta, aseta kiinnitetty putki jatkuvan vedenpoiston reikään (13) .

näkyvä kuvassa 5.

4. Kun asetat tavoitekoosteuden normaalissa kosteudenpoistotilassa, voit asettaa: 30-35-40-45-50-55-60-65-70-75-80% CO-30% ja niin edelleen. "CO" tarkoittaa jatkuvaa kosteudenpoistotilaa. Tässä tilassa tuulettimen nopeus voidaan valita alhaisen tai suuren nopeuden välillä.

5. Kun jatkuva kosteudenpoisto on päättynyt, irrota putki, aseta vesisäiliö (3) alkuperäiselle paikalleen ja sammuta laite.

Tyhjennysletku: pituus: 30 cm, sisähalkaisija: 17 mm, ulkohalkaisija: 19 mm.

Ajastintoiminto - Delay Stop -toiminto

Aseta ajastin OFF -toiminto - DELAY STOP ajastinpainikkeella (C).

Ajastimen sammutustoiminto voidaan asettaa laitteen toimiessa. Paina ajastinpainiketta (C), ajastimen merkkivalo (M) syytty. LED-digitaalinäyttö (S) syytty ja näyttöön tulee "00". paina plus- tai miinuspainikkeita (B) valitaksesi halutun ajan, jolloin laite sammuu.

Kun ajastin on asetettu, aika näkyy 5 sekunnin ajan ja muista se. Kun ajastin on asetettu, voit tarkistaa vasemman ajan painamalla ajastinpainiketta (C). Laite sammuu automaattisesti asetusajan kuluttua. Ajastintoiminnon nollaamiseksi on painettava jatkuvasti ajastinpainiketta (C), kun aika-arvo vilkkuu, aika-arvo muutetaan nolnaan. Ajastinalue on 1 - 24 tuntia 1 tunnin välein.

Huoneen lämpötilan tarkistus

Tarkistaaksesi nykyisen huonelämpötilan, paina Plus-painiketta muutaman sekunnin ajan, jolloin arvo näkyy LED-digitaalinäytössä (S), samalla lämpötilan ilmaisin (N) tulee näkyviin.

Huoneen kosteuden tarkastus

Tarkistaaksesi nykyisen huoneen kosteuden, katso LED-digitaalinäytön (S) näyttämää arvoa tai etuosan digitaalinäytön (12) osoittamaa arvoa, samalla kun kosteusilmaisim (O) syytty säätimeen. paneeli (1). Kun huoneen nykyinen koosteus saavuttaa asetetun suhteellisen kosteuden, tavoitekoosteuden ilmaisin (P) syytty.

Paina virtakytkintä (A) uudelleen sammuttaaksesi laitteen, laite lakkaa toimimasta, vain virran merkkivalo (R) vilkkuu ilmoittaen, että laite on valmiustilassa. Kun laite on päällä. Virran merkkivalo (R) palaa.

Vesisäiliön tyhjennys

1. Jos vesisäiliö (3) on täynnä tai vesisäiliötä (3) ei ole asennettu oikeaan asentoon, täysi vesisäiliön merkkivalo (Q) syytty ohjauspaneeliin (1) ja äänimerkki kuuluu. Laite lopettaa toiminnan automaattisesti.

2. Kun täyteen vesisäiliön merkkivalo (Q) vilkkuu, laite pysähtyy, kunnes vesisäiliö on tyhjä tai asetettu oikeaan asentoon.

3. Irrottaaksesi vesisäiliön (3) vedä vesisäiliötä varovasti itseäsi kohti pitämällä kiinni vesisäiliön koverista osista. Katso kuvaa 3.

4. Tyhjennä vesisäiliö (3) kantamalla sitä kahvalla, kallista sitten sitä kuvan 4 mukaisesti ja tyhjennä vesi hitaasti. Aseta sitten kahva tasaiseksi ennen kuin työntät säiliön (3) varovasti takaisin edelliseen asentoonsa kotolon sisällä.

5. Vesisäiliö (6) on puhdistettava ajoittain sisältä. Avaa vesisäiliö (3) säätämällä vesisäiliön kahvan asentoa kahdessa muoviosassa, joihin kahva on asennettu, olevien reikiin muotoon ja laajentamalla kahvan molempia reunoja varovasti, jotta kahva irtoaa kokonaan. Nyt voit avata vesisäiliön kannen ja puhdistaa vesisäiliön vedellä, jossa on astianpesuaine ja pehmeä liina. Älä pura tai nosta kelluketta (6) vesisäiliöstä (3). Katso kuvaa

Summeri

Ääni kuuluu 20 sekunnin ajan, kun vesisäiliö (3) otetaan pois käytön aikana.

Puhdistus ja huolto

1. Katkaise laitteesta virta ja irrota virtapistoke pistorasiasta, ennen kuin aloitat puhdistuksen tai muun rutiinihuollon.

2. Sähköiskun välttämiseksi älä koskaan pirskota tai läikytä vettä ilmankuivaajalle puhdistuksen aikana.

3. Sammuta laite ja tyhjennä vesi vesisäiliöstä ennen laitteen siirtämistä. Muista pitää kahvasta kiinni liikkuessasi.

4. Pyyhi laitteen kotelo kostealla ja pehmeällä liinalla.
5. Älä irrota kelluketta (6) vesisäiliöstä (3).
6. Ennen suunniteltua pitkäkestoista jatkuvaan käyttöön on tarkastettava määrärajojen erityisesti verkkoilmasuodatin (8), aktiivihilisuodatin (11) ja tyhjennysputki (13) tai vastaava.
7. Puhdista tai vaihda suodattimet seuraavasti:
 - irrota pistoke ja irrota vesisäiliö (3)
 - irrota suodatinkotelo (9) kuvan 5 mukaisesti
 - irrota verkkoilmasuodatin (8) kotelosta ja irrota varovasti aktiivihilisuodatin (11)
 - vedä HEPA-suodatin (7) ulos laitteesta
 - Puhdista kaikki kolme suodatinta kahden viikon välein pölynimurilla tai taputtele niitä kevyesti ravistaaksesi niitä.
- Kosteudenpoistoteho saattaa heikentyä, jos suodattimet ovat tukkeutuneet liasta
- laita suodattimet takaisin paikoilleen ja asenna suodatinkotelo (9) uudelleen.
- Jos suodattimet ovat vakavasti likaantuneet, pese ne neutraalilla pesuaineella, huuhtelee hyvin vedellä ja anna kuivua.
8. Älä puhdista laitetta bensiinillä, tinnerillä tai nestemäisellä pesuaineella.
9. Ennen pidempää varastointia: niputa virtajohto, tyhjennä vesisäiliö ja pyyhi se pehmeällä liinalla, puhdista ja kuivaa kaikki suodattimet. Aseta laite pystyasentoon välttääksesi toimintahäiriöt tai epänormaali äänet tulevaisuudessa. Vältä altistumista suoralle auringonvalolle.

Vianetsintä: tarkista alla oleva luettelo ennen kuin otat yhteyttä myyjään:

1. Ongelma: ei toimintaa

Tarkastuskohta 1: katso, onko virtapistoke irrotettu.

Ratkaisu 1: työnnä pistoke pistorasiaan kokonaan ja tukevasti

Tarkastuskohta 2: katso , onko vesisäiliö täynnä vettä

Ratkaisu 2: Tyhjennä vesi säiliöstä .

Tarkastuskohta 3: tarkista , onko vesisäiliö asetettu oikein asentoon .

Ratkaisu 3: Aseta säiliö laitteeseen oikein paikoilleen

Tarkastuskohta 4: katso, onko ilmanpoistoaukon mustasta muovista valmistettu yläkansi suljettu

Ratkaisu 4: avaa yläkansi

2. Ongelma: ilmankuivaimen kapasiteetti on pieni

Tarkastuskohta 1: katso, ovatko suodattimet likaiset

Ratkaisu 1: Puhdista suodattimet kohdan 7 Puhdistus ja huolto ohjeiden mukaisesti

Tarkastuskohta 2: katso, ovatko ilma-aukot tukossa

Ratkaisu 2: poista esteet ilma-aukoista

Tarkastuskohta 3: tarkista, onko ilmankuivain ilmankiertotilassa

Ratkaisu 3: Vaihda toimintatila kosteudenpoistotilaan

3. Ongelma: kova ääni käytön aikana

Tarkastuskohta 1: tarkista, onko laite asennettu oikein

Ratkaisu 1: Asenna laite tasaiselle ja vakaalle lattialle

4. Ongelma: pestyjä liinoja ei kuivata

Tarkastuskohta 1: tarkista, etteivät vaatteet ole alttiina laitteesta tulevalle ilmalle

Ratkaisu 1: Yritä altistaa pesty vaatteet ilmavirtaukselle

Tarkastuskohta 2: tarkista, onko huonelämpötila liian alhainen

Ratkaisu 2: Pestyjä vaatteita on vaikea kuivata matalissa lämpötiloissa

Laite toimii oikein, kun tapahtuu seuraava ilmiö:

1. Ilmiön kuvaus: Toiminta pysähtyy ajoittain

Ilmiön syy: Laite sulaa

2. Ilmiön kuvaus: Kuivatun tilavuus on pieni

Ilmiön syy: Ilmankuivaajan tilavuus pienempi, kun huonelämpötila on alhainen.

3. Ilmiön kuvaus: Huoneen kosteus on edelleen korkea

Ilmiön syy: Huoneen koko voi olla liian suuri . Huoneen ovet tai ikkunat voidaan avata ja / tai sulkea usein . Ilmankuivaajaa käytetään kerosiinilämmittimen lähellä, josta vapautuu höyryä .

4. Ilmiön kuvaus: Paha haju käytön aikana

Ilmiön syy: Seinistä , huonekaluista tai muista esineistä tulee haju .

5. Ilmiön kuvaus: Laitteen sisällä syntyy ääntä

Ilmiön syy: Kylmäaineen kierto voi aiheuttaa ääntä, kunnes se on vakaa .

6. Ilmiön kuvaus: Vesisäiliöön on jäänyt vettä

Ilmiön syy: Vettä jää pois, koska laitteelle on tehtäällä tehty kosteudenpoistotesti

7. Ilmiön kuvaus: Summeri soi

Ilmiön syy: Summeri kuuluu, kun vesisäiliö on täynnä vettä .

VAROITUS: Kylmäaine voidaan täyttää vain tehtaalla.

TEKNISET TIEDOT:

Kuivauskapasiteetti 30°C / 80 % RH: 25 litraa / 24 tuntia

Kuivauskapasiteetti 27°C / 60 % RH: 13 litraa / 24 tuntia

Melutaso: ≤ 48 dB (A)

Vesisäiliön tilavuus: 6,5 litraa

Ilmavirta: 195 m³ / tunti

R290 jäähdytysnesteen paino: max. 65 grammaa

Nimellisyöttöteho: 320 W

Max. Nimellisyöttöteho: 420 W

Virtalähde: 220-240V ~ 50Hz



Varo, tulipalon vaara.

ÄLÄ lävistä tai polta.

Huomaa, että kylmäaine ei saa sisältää hajua.

Kylmäaineen enimmäismäärä: 65 g.



Suojellaksesi ympäristöäsi: hävitä pahvilaatikat ja muovipussit ja kierrätä ne niille tarkoitetuissa jätteastioissa. Käytetyt koneet tulee toimittaa niihin erioistuneisiin keräyspisteisiin ympäristölle vaarallisten aineiden takia. Älä hävitä laitteita sekajätteessä.

РУССКИЙ

ОБЩИЕ УСЛОВИЯ БЕЗОПАСНОСТИ

ВАЖНЫЕ ИНСТРУКЦИИ ПО БЕЗОПАСНОСТИ ВНИМАТЕЛЬНО ПРОЧТИТЕ И СОХРАНИТЕ НА БУДУЩЕЕ

1. Перед использованием устройства прочитайте инструкцию по эксплуатации и следуйте инструкциям, содержащимся в нем. Производитель не несет ответственности за ущерб, вызванный использованием устройства вопреки его назначению или неправильной эксплуатации.
2. Устройство предназначено только для домашнего использования. Не используйте для других целей, которые не по назначению.
3. Устройство должно быть подключено только к розетке переменного тока с заземлением 220 240 В ~ 50 Гц. Для повышения эксплуатационной безопасности, несколько электрических устройств не должны быть подключены к одной цепи тока одновременно.
4. Будьте предельно осторожны при использовании устройства, когда рядом находятся дети. Не позволяйте детям играть с устройством, не позволяйте детям или людям, незнакомым с устройством, использовать его.
5. ПРЕДУПРЕЖДЕНИЕ. Данное оборудование могут использовать дети старше 8 лет и люди с ограниченными физическими, сенсорными или умственными способностями или люди, которые не имеют опыта или знаний об оборудовании, если это делается под наблюдением ответственного лица. для их безопасности или были предоставлены им информацию о безопасном использовании устройства и знают об опасностях его использования. Дети не должны играть с оборудованием. Чистка и техническое обслуживание устройства не должны выполняться детьми, за исключением случаев, когда им исполнилось 8 лет, и эти действия выполняются под наблюдением.
6. Всегда отсоединяйте штепсельную вилку, придерживая розетку рукой после использования. НЕ тяните за шнур питания.

7. Не погружайте кабель, вилку и все устройство в воду или любую другую жидкость. Не подвергайте устройство воздействию атмосферных условий (дождь, солнце и т. Д.) И не используйте его в условиях повышенной влажности (ванные комнаты, влажные дома на колесах).
8. Периодически проверяйте состояние шнура питания. Если шнур питания поврежден, его следует заменить в специализированной ремонтной мастерской, чтобы избежать опасности.
9. Не используйте прибор с поврежденным шнуром питания, если он упал или поврежден каким-либо иным образом или он не работает должным образом. Не ремонтируйте устройство самостоятельно, так как существует риск поражения электрическим током. Доставьте поврежденное устройство в соответствующий сервисный центр для проверки или ремонта. Все ремонтные работы могут выполняться только авторизованными сервисными центрами. Неправильно выполненный ремонт может представлять серьезную опасность для пользователя.
10. Поместите устройство на прохладную, устойчивую поверхность, вдали от горячих кухонных приборов, таких как: электрическая плита, газовая горелка и т. Д.
11. Убедитесь, что ничто не блокирует вход и выход воздуха устройства
12. Используйте устройство только на ровной поверхности, чтобы предотвратить выпадение конденсата.
13. Для обеспечения дополнительной защиты рекомендуется установить устройство защитного отключения (УЗО) в электрической цепи с номинальным током не более 30 мА. Спросите электрика для этого.
14. Регулярно очищайте воздушный фильтр. Частота очистки зависит от чистоты воздуха.
15. После выключения машины подождите не менее 5 минут, прежде чем снова включить его.
16. Для эффективного осушения следует использовать зазор не менее 20 см между боковыми стенками приборов и сжатой мебелью или шторами.
17. Во избежание возгорания или взрыва не распыляйте сушилку.
18. Для использования частей корпуса не устанавливайте осушитель рядом с нагревательными приборами.
19. Удалите воду, собранную в баке. Случайно питьевая вода или использование ее с другими людьми может вызвать болезнь.
20. Не поддерживает устройства со снятой задней крышкой из-за движущихся и горячих частей.
21. Не используйте никакие средства для оттаивания или работы, кроме тех, которые рекомендованы производителем.
22. Устройство должно быть доступно как часть постоянного списка источников

возгорания, то есть без открытого пламени, без устройства с рабочим газом или без нагревателя с рабочим устройством.

23. Не прокалывать и не курить.

24. Обратите внимание, что производители холодильного оборудования не могут содержать ароматизаторы.

Перед первым использованием:

1. Осушитель следует использовать на ровной и устойчивой поверхности, соблюдайте расстояния между устройством и другими объектами в соответствии с рисунком 1, чтобы обеспечить соответствующую эффективность. Закройте все окна и двери комнаты, в которой вы хотите осушить воздух.
2. Во избежание замерзания воды не используйте осушитель и сливной шланг при температуре окружающей среды ниже 0 °С.
3. Не используйте осушитель снаружи. Воздействие прямых солнечных лучей или дождя может привести к перегреву, поражению электрическим током и пожару.
4. Не ставьте резервуар для воды на осушитель, чтобы избежать пролива воды внутрь устройства и ухудшения изоляции.
5. Никогда не пытайтесь использовать осушитель для специальных целей, таких как осушение пищевых продуктов или сохранение предметов искусства или тому подобное.
6. Не используйте осушитель, если возможна утечка масла или горючего газа. Не используйте устройство в местах, подверженных воздействию химикатов.
7. Для непрерывного слива убедитесь, что сливной шланг правильно установлен с уклоном.
8. Будьте осторожны, чтобы отопительный прибор не подвергался воздействию ветра от осушителя.
9. Не используйте осушитель как стул или подставку для ног.
10. Не снимайте поплавковый рычаг с водяного бака.
11. Не блокируйте воздухозаборники и воздуховыпускные отверстия.
12. Не накрывайте прибор стиральной одеждой.

Описание продукта: AD7863 Осушитель воздуха и очиститель воздуха 2 в 1

- | | |
|---|--|
| 1. Панель управления | 2. Воздухозаборник |
| 3. Резервуар для воды 6,5 л | 4. Воздуховыпускное отверстие |
| 5. Ручка | 6. Поплавок |
| фильтр HEPA | 8. Моющийся сетчатый воздушный фильтр предварительной очистки. |
| 9. Корпус фильтра | 10. Индикатор влажности. |
| 11. Фильтр с активированным углем | 12. Передний цифровой дисплей. |
| 13. Отверстие для патрубка непрерывного слива воды. | |

Панель управления (1):

- | | |
|--|--|
| A. Выключатель питания | V. Кнопки «плюс» и «минус» |
| C. Кнопка таймера 0–24 часа | D. Кнопка скорости вентилятора |
| E. Кнопка режима | F. Индикатор режима сушки белья |
| G. Индикатор нормального режима работы | H. Индикатор режима циркуляции воздуха |
| I. Индикатор автоматического режима | J. Индикация саморазмораживания устройства |
| K. Индикатор высокой скорости вентилятора | L. Индикатор низкой скорости вентилятора |
| M. Индикатор таймера | N. Индикатор температуры |
| O. Индикатор влажности | P. Индикатор заданной влажности |
| Q. Индикатор полного резервуара для воды | R. Индикатор питания |
| S. Светодиодный цифровой дисплей влажности, таймера и комнатной температуры. | |

УСЛОВИЯ ИСПОЛЬЗОВАНИЯ

Этот осушитель не подходит для поддержания очень низкой влажности (около 50 % или менее) .

Этот осушитель предназначен для удаления некомфортной влажности в повседневной жизни и использования для вспомогательной сушки постиранного белья в помещении . Это не подходит для поддержания очень низкой влажности .

Это нормально, что во время работы устройство выделяет тепло, и температура в помещении повышается на 1–4 °С, поскольку это устройство не имеет функции охлаждения . Температура повышается, когда он работает в чулане и т.п. Кроме того , температура в помещении повышается, поскольку двери и окна закрыты, а тепло выделяется от других приборов в помещении и солнечного излучения . Этот осушитель не может быть применен для поддержания экстремально низкой температуры. Функция этого осушителя — откачивать неприятную повышенную влажность.

ФУНКЦИЯ САМОРАЗМОРАЖИВАНИЯ УСТРОЙСТВА

Когда на змеевиках испарителя внутри устройства образуется иней, запустится функция автоматического размораживания. Компрессор выключится, а вентилятор продолжит работать до тех пор, пока не исчезнет иней. Когда устройство работает при комнатной температуре от 5 до 12 градусов Цельсия размораживание будет прекращаться примерно на 3 минуты каждые 8 минут. Когда устройство работает при комнатной температуре от 12 градусов Цельсия и 18 градусов Цельсия, размораживание прекратится примерно на 5 минут каждые 25 минут. Когда устройство работает при комнатной температуре от 18 градусов Цельсия, и 23 градус Цельсия он будет останавливаться для размораживания примерно на 5 минут каждые 120 минут. Подождите 3 минуты, прежде чем возобновить работу. После остановки компрессора он не может возобновить работу, пока не пройдет 3 минуты. Индикатор (J) на панели управления (1) горит все время, пока активно саморазмораживание.

ВАЖНЫЙ !

Во время размораживания отключаются как функция осушения, так и функция очистки воздуха .

Не отключайте вилку устройства и не выключайте его во время разморозки .

Осушающая способность

1. Ежедневная производительность осушителя зависит от температуры и относительной влажности в помещении. При разных температурах и относительной влажности он может иметь разную осушающую способность.
2. При одинаковой комнатной температуре производительность осушения выше при более высокой относительной влажности, а производительность осушения ниже при более низкой относительной влажности. При одинаковой относительной влажности осушающая способность выше при более высокой температуре, а осушающая способность ниже при более низкой температуре.
3. Если осушитель установлен в шкафу, его осушающая способность может значительно снизиться через короткий период после работы из-за сильного снижения влажности в шкафу.
4. При комнатной температуре 30°C/27°C и относительной влажности 80/60% производительность осушения составляет соответственно около 25/13 литров воды, когда воздуховыпускное отверстие полностью открыто.

Система очистки воздуха - 3-х ступенчатая фильтрация

Система предназначена для удаления загрязняющих частиц и запахов из воздуха. В комплект устройства входят следующие фильтры:

1. Мощный сетчатый воздушный фильтр предварительной очистки (8): используется для фильтрации пыли и волос в воздухе.
2. Фильтр с активированным углем: удаляет запах, вызванный, например, сигаретой, домашними животными и т. д.
3. HEPA-фильтр H13: фильтрует пыль, загрязняющие частицы и освежает воздух. Фильтр HEPA H13 эффективно задерживает в проточном воздухе 99,95% частиц загрязняющих веществ размером до 0,3 микрона. Фильтр HEPA H13 подходит для очистки воздуха аллергикам.

Операция

1. Пожалуйста, поместите устройство вертикально, чтобы избежать сбояв в работе и необычного звука. Соблюдайте расстояния между другими объектами, как показано на рисунке 1.
2. HEPA-фильтр (7) упакован в полиэтиленовые пакеты. Перед использованием снимите полиэтиленовый пакет.
3. Откройте черную крышку в верхней части устройства, чтобы воздух мог легко выйти.
4. Подключите устройство, на панели управления (1) мигает выключатель питания (A), нажмите его, чтобы включить устройство. Цифровой дисплей (S) покажет текущий уровень влажности в помещении. В то же время на передней верхней части устройства загорится индикатор влажности (10).

Во время работы индикатор влажности показывает текущий уровень влажности в помещении:

- Синий цвет означает низкую влажность ниже 50% относительной влажности.
- Зеленый цвет означает среднюю влажность в диапазоне 51–69 % относительной влажности.
- Красный цвет означает высокую влажность более 70% относительной влажности.

Обратите внимание, что значение относительной влажности имеет допуск 3%, когда загорается соответствующая световая индикация.

5. Нажимайте кнопку режима (E) для выбора желаемого режима работы:

- Режим «Сухая одежда» – нажмите кнопку режима (E) один раз, загорится индикатор (F). Для быстрого выполнения функций компрессор работает непрерывно, без остановок, за исключением случаев, когда резервуар для воды (3) полон. Вентилятор постоянно держит высокую скорость.

- Нормальный режим работы – еще раз нажмите кнопку режима (E), загорится индикатор (G). При нормальной работе компрессор работает. Пользователь может установить целевой уровень влажности, нажимая кнопки «плюс» и «минус» (3). Установленный диапазон влажности: 30%-80% с шагом 5%. Когда заданная влажность достигает заданного значения, компрессор перестает работать. Вентилятор может быть установлен как на высокую, так и на низкую скорость в

соответствии с вашими потребностями. Чтобы выбрать скорость вентилятора между низкой и высокой, нажмите кнопку (D), при этом загорится соответствующий индикатор (K) для высокой скорости и (L) для низкой скорости.

- Режим циркуляции воздуха – еще раз нажмите кнопку режима (E), загорится индикатор (H). В этом режиме компрессор не работает, работает только вентилятор. Вы можете регулировать скорость вентилятора между низкой и высокой скоростью в соответствии с вашими потребностями.

- Автоматический режим – еще раз нажмите кнопку режима (E), загорится индикатор (I). В этом режиме целевая влажность по умолчанию составляет 55%. Когда влажность в помещении достигает 55%, компрессор перестает работать, продолжает работать только вентилятор. Когда влажность в помещении превышает 55%, компрессор снова начинает работать.

В случае отключения электроэнергии устройство имеет функцию памяти и может запомнить последнюю настройку.

Функция непрерывного дренажа

1. Если вам необходимо осушить воздух в течение длительного времени, вы можете использовать функцию непрерывного дренажа.

2. Перед непрерывной работой в течение длительного времени требуется периодическая проверка, особенно фильтра очистки воздуха, сливной трубы и т.п.

3. Выньте резервуар для воды (3) из исходного положения, вставьте прикрепленную трубку в отверстие для постоянного слива воды (13).

показано на рисунке 5.

4. Когда вы устанавливаете целевую влажность в обычном режиме осушения, вы можете установить: 30-35-40-45-50-55-60-65-70-75-80%-CO-30% и так далее. «CO» означает режим непрерывного осушения. В этом режиме скорость вентилятора можно выбирать между низкой и высокой скоростью.

5. После завершения непрерывного осушения разберите трубку, установите резервуар для воды (3) на прежнее место и выключите устройство.

Сливной шланг: длина: 30 см, внутренний диаметр: 17 мм, внешний диаметр: 19 мм.

Работа по таймеру – функция задержки остановки

Для настройки функции «Таймер ВЫКЛ» – «ОТСРОЧКА ОСТАНОВКИ» используйте кнопку таймера (C).

Функцию отключения таймера можно установить во время работы устройства. Нажмите кнопку таймера (C), загорится индикатор таймера (M). Загорается светодиодный цифровой дисплей (S) и появляется цифра «00», следует кнопками «плюс» или «минус» (B) выбрать желаемое время выключения устройства. После установки таймера время будет отображаться в течение 5 секунд и запомнить. После установки таймера для проверки оставшегося времени нажмите кнопку таймера (C). Устройство автоматически выключится по истечении установленного времени. Для сброса функции таймера необходимо непрерывно нажимать кнопку таймера (C), пока значение времени мигает, значение времени изменится на ноль. Диапазон таймера от 1 до 24 часов с интервалом в 1 час.

Проверка температуры в помещении

Чтобы проверить текущую температуру в помещении, нажмите кнопку «Плюс» на несколько секунд, когда значение отобразится на цифровом светодиодном дисплее (S), одновременно отобразится индикатор температуры (N).

Проверка влажности в помещении

Чтобы проверить текущую влажность в помещении, посмотрите на значение, отображаемое на цифровом светодиодном дисплее (S), или на значение, отображаемое на переднем цифровом дисплее (12), при этом на панели управления загорится индикатор влажности (O). панель (1). Когда текущая влажность в помещении достигнет установленной относительной влажности, загорится индикатор целевой влажности (P).

Нажмите выключатель питания (A) еще раз, чтобы выключить устройство, устройство перестанет работать, просто индикатор питания (R) будет мигать, сообщая, что устройство находится в режиме ожидания. Когда устройство включено. Индикатор питания (R) светится.

Опорожнение резервуара для воды

1. Если резервуар для воды (3) полон или резервуар для воды (3) установлен в неправильном положении, на панели управления (1) загорается индикатор полного резервуара для воды (Q), раздается звуковой сигнал. Устройство автоматически прекратит работу.

2. Когда мигает индикатор полного резервуара для воды (Q), устройство прекращает работу до тех пор, пока резервуар для воды не опустеет или не будет установлен в правильное положение.

3. Чтобы снять резервуар для воды (3), осторожно потяните резервуар для воды на себя, удерживая вогнутые части резервуара для воды. Посмотрите на картинку 3.

4. Чтобы опорожнить резервуар для воды (3), возьмите его за ручку, затем наклоните, как показано на рисунке 4, и медленно слейте воду. Затем вам следует положить ручку ровно, а затем осторожно вернуть резервуар (3) в прежнее

положение внутри корпуса.

5. Время от времени резервуар для воды (6) необходимо очищать внутри. Чтобы открыть резервуар для воды (3), отрегулируйте положение ручки резервуара для воды по форме отверстий в двух пластиковых частях, к которым прикреплена ручка, и осторожно раздвиньте оба края ручки, чтобы полностью разобрать ручку. Теперь вы можете открыть крышку резервуара для воды и очистить резервуар для воды водой с мылом для мытья посуды и мягкой тканью. Не разбирайте и не поднимайте поплавков (6) из резервуара для воды (3). Посмотрите на картинку

Зуммер

Звуковой сигнал звучит в течение 20 секунд, когда резервуар для воды (3) вынимается во время работы.

Очистка и обслуживание

1. Выключите устройство и отсоедините вилку питания перед началом чистки или другого планового обслуживания.
2. Во избежание риска поражения электрическим током никогда не брызгайте и не проливайте воду на осушитель во время чистки.
3. Выключите устройство и слейте воду из резервуара для воды, прежде чем перемещать устройство. Обязательно держитесь за ручку во время движения.
4. Протрите корпус устройства влажной мягкой тканью.
5. Не снимайте поплавков (6) с резервуара для воды (3).
6. Перед запланированной непрерывной работой в течение длительного времени требуется периодическая проверка, особенно сетчатого воздушного фильтра (8), фильтра с активированным углем (11) и сливной трубы (13) и т.п.
7. Чтобы очистить или заменить фильтры:
 - отсоедините заглушку и выньте резервуар для воды (3)
 - снимите корпус фильтра (9), как показано на рисунке 5.
 - извлеките сетчатый воздушный фильтр (8) из корпуса и аккуратно извлеките фильтр с активированным углем (11)
 - вытащите HEPA-фильтр (7) из устройства.
 - каждые две недели очищайте все три фильтра пылесосом или слегка вытряхивайте их. Эффективность осушения может снизиться, если фильтры забиты грязью.
 - установите фильтры обратно и снова соберите корпус фильтра (9).Если фильтры серьезно загрязнены, промойте их водой с нейтральным моющим средством, хорошо промойте водой и оставьте до высыхания.
8. Не чистите устройство бензином, растворителем или жидким моющим средством.
9. Перед длительным хранением: свяжите шнур питания, опорожните резервуар для воды и протрите его мягкой тканью, очистите и высушите все фильтры. Держите устройство вертикально, чтобы избежать неисправности или ненормального звука в будущем, избегайте воздействия прямых солнечных лучей.

Устранение неполадок: прежде чем обращаться к продавцу, ознакомьтесь со списком ниже:

1. Проблема: не работает

Пункт проверки 1: проверьте, отсоединена ли вилка питания.

Решение 1: полностью и надежно вставьте вилку в электрическую розетку.

Пункт проверки 2: проверьте, заполнен ли резервуар для воды водой.

Решение 2. Слейте воду из резервуара .

Пункт проверки 3: проверьте, правильно ли установлен резервуар для воды .

Решение 3. Правильно установите резервуар на устройство .

Пункт проверки 4: проверьте, закрыта ли верхняя крышка из черного пластика воздуховыпускного отверстия.

Решение 4: открыть верхнюю крышку

2. Проблема: мощность осушителя мала.

Пункт проверки 1: проверьте, не загрязнены ли фильтры.

Решение 1. Очистите фильтры, как указано в главе «Очистка и обслуживание» в пункте 7.

Пункт проверки 2: проверьте, не засорены ли воздушные отверстия.

Решение 2. Устраните препятствия из воздушных отверстий.

Пункт проверки 3: проверьте, находится ли осушитель в режиме циркуляции воздуха.

Решение 3. Измените режим работы на режим осушения.

3. Проблема: громкий звук при работе.

Пункт проверки 1: проверьте правильность установки устройства

Решение 1. Установите устройство на ровном и устойчивом полу.

4. Проблема: постиранное белье не сушится.

Пункт проверки 1: проверьте, не подвергается ли выстиранная одежда воздействию воздуха из устройства.

Решение 1. Попробуйте подвергнуть выстиранную одежду потоку воздуха.

Пункт проверки 2: проверьте, не слишком ли низкая температура в помещении.

Решение 2. Постыранную одежду трудно сушить в условиях низкой температуры.

Устройство работает правильно, когда происходит следующее явление:

1. Описание явления: работа иногда останавливается.

Причина явления: Устройство размораживается.

2. Описание явления: объем осушенного воздуха небольшой.

Причина явления: Объем осушителя уменьшается при низкой температуре в помещении.

3. Описание явления: Влажность в помещении по-прежнему высокая.

Причина неисправности: Размер помещения может быть слишком большим . Двери или окна комнаты могут быть открыты и / или закрыты.

часто . Осушитель используется рядом с керосиновым обогревателем, выделяющим пар .

4. Описание явления: Неприятный запах во время работы.

Причина явления: Запах исходит от стен , мебели или других предметов .

5. Описание явления: внутри устройства воспроизводится звук.

Причина явления: Циркуляция хладагента может вызывать шум, пока она не станет стабильной .

6. Описание явления: В резервуаре для воды осталась вода.

Причина явления: Вода осталась, потому что устройство подвергается испытанию на осушение на заводе.

7. Описание явления: звучит зуммер.

Причина явления: Зуммер звучит, когда резервуар для воды полон воды .

ВНИМАНИЕ: Хладагент может быть заправлен только на заводе.

ТЕХНИЧЕСКИЕ ДАННЫЕ:

Производительность осушения при 30°C/80% относительной влажности): 25 литров/24 часа

Производительность осушения при 27°C/60% относительной влажности): 13 литров/24 часа

Уровень шума: <= 48 дБ (А)

Емкость резервуара для воды: 6,5 литров.

Расход воздуха: 195 м3/час

Вес охлаждающей жидкости R290: макс. 65 грамм

Номинальная входная мощность: 320 Вт

Макс. Номинальная входная мощность: 420 Вт

Электропитание: 220-240 В ~ 50 Гц.

EAC



Осторожно, опасность пожара.

НЕ прокалывать и не сжигать.

Помните, что хладагент не может содержать запах.

Максимальное количество заправляемого хладагента: 65 г.



Забываясь об окружающей среде.. Упаковку из картона передайте, пожалуйста, на макулатуру. Полиэтиленовые мешки (PE) выкидать в резервуар для пластмассы. Изношенное устройство надо передать в соответствующую точку хранения, так как находящиеся в устройстве опасные составляющие могут являться угрозой для окружающей среды. Электрическое устройство надо передать таким образом, чтобы ограничить его повторное употребление и использование. Если в устройстве находятся батареи, их надо вынуть и передать в точку хранения отдельно. Устройство не выкидать в резервуар для коммунальных отходов!

ITALIANO

CONDIZIONI GENERALI DI SICUREZZA

IMPORTANTI ISTRUZIONI DI SICUREZZA LEGGERE ATTENTAMENTE E SALVARE PER IL FUTURO

1. Prima di utilizzare il dispositivo, leggere il manuale operativo e seguire le istruzioni in esso contenute. Il produttore non è responsabile per danni causati dall'uso del dispositivo contrario allo scopo previsto o al funzionamento improprio.

2. Il dispositivo è solo per uso domestico. Non utilizzare per altri scopi diversi da quelli previsti.

3. Il dispositivo deve essere collegato solo a una presa CA con una messa a terra da 220 240 V ~ 50 Hz. Per aumentare la sicurezza operativa, più dispositivi elettrici non devono essere collegati contemporaneamente a un circuito di corrente.
4. Usare estrema cautela quando si usa il dispositivo quando i bambini sono nelle vicinanze. Non consentire ai bambini di giocare con il dispositivo, non consentire ai bambini o alle persone che non hanno familiarità con il dispositivo di usarlo.
5. **AVVERTENZA:** questa apparecchiatura può essere utilizzata da bambini di età superiore a 8 anni e persone con capacità fisiche, sensoriali o mentali limitate o persone che non hanno esperienza o conoscenza dell'attrezzatura, se ciò viene fatto sotto la supervisione di una persona responsabile per la loro sicurezza o hanno ricevuto loro informazioni sull'uso sicuro del dispositivo e sono consapevoli dei pericoli connessi all'uso. I bambini non devono giocare con l'attrezzatura. La pulizia e la manutenzione del dispositivo non devono essere eseguite da bambini, a meno che non abbiano più di 8 anni e queste attività siano svolte sotto controllo.
6. Scollegare sempre la spina di alimentazione tenendo la presa con la mano dopo l'uso. **NON** tirare il cavo di alimentazione.
7. Non immergere il cavo, la spina e l'intero dispositivo in acqua o altri liquidi. Non esporre il dispositivo a condizioni atmosferiche (pioggia, sole, ecc.) O utilizzare in condizioni di elevata umidità (bagni, case mobili umide).
8. Controllare periodicamente le condizioni del cavo di alimentazione. Se il cavo di alimentazione è danneggiato, deve essere sostituito da un'officina specializzata per evitare pericoli.
9. Non utilizzare l'apparecchio con un cavo di alimentazione danneggiato o se è stato fatto cadere o danneggiato in altro modo o se non funziona correttamente. Non riparare il dispositivo da soli, poiché esiste il rischio di scosse elettriche. Portare il dispositivo danneggiato in un centro di assistenza adeguato per il controllo o la riparazione. Tutte le riparazioni possono essere eseguite solo da punti di assistenza autorizzati. Le riparazioni eseguite in modo errato possono causare gravi pericoli per l'utente.
10. Collocare il dispositivo su una superficie fresca e stabile, lontano da elettrodomestici da cucina caldi come: fornelli elettrici, bruciatori a gas, ecc.
11. Assicurarsi che nulla blocchi l'entrata e l'uscita dell'aria del dispositivo
12. Utilizzare il dispositivo solo su una superficie piana per evitare la fuoriuscita della condensa
13. Per fornire una protezione aggiuntiva, si consiglia di installare un dispositivo a corrente residua (RCD) nel circuito elettrico con una corrente residua nominale non superiore a 30 mA. Chiedi a un elettricista per questo.
14. Pulire regolarmente il filtro dell'aria. La frequenza della pulizia dipende dalla pulizia dell'aria.
15. Dopo aver spento la macchina, attendere almeno 5 minuti prima di riaccenderla.
16. Per un'efficace deumidificazione, è necessario utilizzare uno spazio di almeno 20

cm tra le pareti laterali dei dispositivi e i mobili o le tende compressi.

17. Per evitare il rischio di incendio o esplosione, non spruzzare l'asciugatrice

18. Per utilizzare le parti dell'alloggiamento, non posizionare il deumidificatore vicino ai dispositivi di riscaldamento.

19. Rimuovere l'acqua raccolta nel serbatoio. Bere accidentalmente acqua o usarla con altre persone può causare malattie.

20. Non supporta i dispositivi con il coperchio posteriore rimosso a causa di parti mobili e calde.

21. Non utilizzare alcun mezzo per eseguire lo scongelamento o il processo operativo diversi da quelli raccomandati dal produttore.

22. Il dispositivo dovrebbe essere disponibile come parte di un elenco permanente di fonti di accensione, vale a dire senza fiamma aperta, senza un dispositivo a gas funzionante o senza un riscaldatore del dispositivo funzionante.

23. Non perforare o fumare.

24. Si noti che i produttori di refrigerazione potrebbero non contenere fragranze.

Prima del primo utilizzo:

1. Il deumidificatore deve essere utilizzato su una superficie piana e stabile, mantenere le distanze tra l'unità e altri oggetti secondo la figura 1 per garantire un'efficienza adeguata. Chiudi tutte le finestre e le porte della stanza che vuoi deumidificare l'aria.

2. Per evitare il congelamento dell'acqua, non utilizzare il deumidificatore e il tubo di scarico a temperatura ambiente inferiore a 0 ° C

3. Non utilizzare il deumidificatore all'esterno. L'esposizione alla luce solare diretta o alla pioggia può provocare surriscaldamento, scosse elettriche e incendi.

4. Non mettere il serbatoio dell'acqua sul deumidificatore per evitare fuoriuscite d'acqua all'interno dell'unità e deteriorare l'isolamento.

5. Non tentare mai di utilizzare il deumidificatore per usi speciali, come la deumidificazione degli alimenti o la conservazione di oggetti d'arte o simili.

6. Non utilizzare il deumidificatore in presenza di perdite di olio o gas infiammabili. Non utilizzare l'unità in luoghi soggetti a sostanze chimiche.

7. Per lo scarico continuo, assicurarsi che il tubo di scarico sia impostato correttamente con la pendenza.

8. Fare attenzione che un apparecchio di riscaldamento non sia esposto al vento dal deumidificatore.

9. Non utilizzare il deumidificatore come sedia o poggiatesta.

10. Non rimuovere la leva del galleggiante dal serbatoio dell'acqua.

11. Non bloccare le prese d'aria e le prese d'aria.

12. Non coprire l'unità con indumenti lavati.

Descrizione del prodotto: AD7863 Deumidificatore e purificatore d'aria 2in1

1. Pannello di controllo

2. Ingresso aria

3. Serbatoio acqua 6,5L

4. Uscita aria

5. Maniglia

6. Galleggiante

Filtro dell'aria HEPA

8. Prefiltro dell'aria a rete lavabile

9. Alloggiamento del filtro

10. Spia di umidità

11. Filtro a carboni attivi

12. Display digitale frontale

13. Foro per tubo scarico continuo dell'acqua

Pannello di controllo (1):

A. Interruttore di alimentazione

C. Pulsante timer 0-24 ore

E. Pulsante modalità

G. Indicatore della modalità di funzionamento normale

I. Indicatore modalità automatica

K. Indicatore di alta velocità della ventola

M. Indicatore timer

B. Pulsanti più e meno

D. Pulsante velocità ventola

F. Indicatore modalità indumenti asciutti

H. Indicatore della modalità di circolazione dell'aria

J. Indicazione autosbrinatorio del dispositivo

L. Indicatore di bassa velocità della ventola

N. Indicatore temperatura

- O. Indicatore di umidità
- Q. Indicatore del serbatoio dell'acqua pieno
- S. Display digitale a LED di umidità, timer e temperatura ambiente

- P. Indicatore di umidità target
- R. Indicatore di alimentazione

CONDIZIONI D'USO

Questo deumidificatore non è adatto a mantenere l'umidità molto bassa, intorno al 50 % o meno .

Questo deumidificatore è progettato per rimuovere l'umidità sgradevole nella vita quotidiana e per essere utilizzato per l'asciugatura ausiliaria dei vestiti lavati in ambienti interni . Questo non è adatto per mantenere l'umidità molto bassa .

È normale che il dispositivo produca calore durante il funzionamento e che la temperatura ambiente aumenti da 1°C a 4°C, poiché questo dispositivo non dispone della funzione di raffreddamento . La temperatura aumenta quando viene utilizzato in un armadio o simili . Inoltre , la temperatura ambiente aumenta perché porte e finestre vengono chiuse e il calore viene prodotto da altri apparecchi presenti nella stanza e dall'irraggiamento solare . Questo deumidificatore non può essere utilizzato per mantenere temperature estremamente basse. La funzione di questo deumidificatore è quella di eliminare l'umidità elevata e sgradevole.

FUNZIONE AUTOSBRINAMENTO DEL DISPOSITIVO

Quando si accumula la brina sulle serpentine dell'evaporatore all'interno del dispositivo, verrà avviata la funzione di sbrinamento automatico. Il compressore si spegnerà e la ventola continuerà a funzionare finché la brina non sarà rimossa. Quando il dispositivo è in funzione a una temperatura ambiente compresa tra 5 gradi Celsius e 12 gradi Celsius , lo sbrinamento si interromperà per circa 3 minuti ogni 8 minuti. Quando il dispositivo è in funzione a una temperatura ambiente compresa tra 12 gradi Celsius e 18 gradi Celsius , smetterà di scongelarsi per circa 5 minuti ogni 25 minuti. Quando il dispositivo è in funzione a una temperatura ambiente compresa tra 18 gradi Celsius e 23 gradi Celsius si fermerà per scongelare per circa 5 minuti ogni 120 minuti. Attendere 3 minuti prima di riprendere l'operazione. Dopo che il compressore si è fermato, non è possibile riavviare il funzionamento finché non sono trascorsi 3 minuti. L'indicatore (J) sul pannello di controllo (1) è acceso per tutto il tempo in cui l' autosbrinamento è attivo.

IMPORTANTE!

Sia la funzione di deumidificazione che quella di pulizia dell'aria si arrestano durante l'operazione di sbrinamento . Non scollegare la spina del dispositivo né spegnere il dispositivo durante lo sbrinamento .

Capacità di deumidificazione

1. La capacità di deumidificazione giornaliera del deumidificatore dipende dalla temperatura ambiente e dall'umidità relativa. A temperature e umidità relative diverse, può avere una capacità di deumidificazione diversa.
2. Alla stessa temperatura ambiente, la capacità di deumidificazione è maggiore con un'umidità relativa più elevata e la capacità di deumidificazione è inferiore con un'umidità relativa più bassa. A parità di umidità relativa, la capacità di deumidificazione è maggiore a temperature più elevate e la capacità di deumidificazione è inferiore a temperature più basse.
3. Se il deumidificatore viene posizionato in un armadio, la sua capacità di deumidificazione potrebbe ridursi notevolmente in un breve periodo dopo il funzionamento a causa dell'umidità nell'armadio che è stata notevolmente ridotta.
4. Per 30°C / 27°C di temperatura ambiente e 80% / 60% di umidità relativa la capacità di deumidificazione è rispettivamente di circa 25 /13 litri d'acqua quando l'uscita dell'aria è completamente aperta.

Sistema di purificazione dell'aria: filtraggio a 3 stadi

Il sistema è progettato per rimuovere particelle inquinanti e odori nell'aria. Il dispositivo include i seguenti filtri:

1. Prefiltro dell'aria a rete lavabile (8): utilizzare per filtrare polvere e capelli presenti nell'aria.
2. Filtro a carbone attivo: rimuove gli odori causati ad esempio da sigarette, animali domestici, ecc.
3. Filtro HEPA H13: filtra la polvere, le particelle inquinanti e rinfresca l'aria. Il filtro HEPA H13 trattiene efficacemente il 99,95% delle particelle inquinanti di dimensioni fino a 0,3 micron nell'aria che scorre. Il filtro HEPA H13 è adatto per la purificazione dell'aria per chi soffre di allergie.

Operazione

1. Posizionare il dispositivo in posizione verticale per evitare errori di funzionamento e suoni insoliti. Mantieni le distanze tra gli altri oggetti come mostrato nell'immagine 1.
2. Il filtro HEPA (7) è confezionato in sacchetti di plastica, rimuovere il sacchetto di plastica prima dell'uso.
3. Aprire il coperchio nero sulla parte superiore del dispositivo per far uscire facilmente l'aria.
4. Collegare il dispositivo, l'interruttore di alimentazione (A) lampeggia sul pannello di controllo (1), premerlo per accendere il dispositivo. Il display digitale (S) mostrerà il livello di umidità attuale nella stanza. Contemporaneamente si illuminerà la spia umidità (10) posta sul bordo anteriore superiore dell'apparecchio.

Durante il funzionamento, la spia dell'umidità mostra il livello attuale di umidità nella stanza:

- Il colore blu significa bassa umidità inferiore al 50% di umidità relativa
- Il colore verde indica un'umidità media compresa tra il 51% e il 69% di umidità relativa

- Il colore rosso indica un'umidità elevata superiore al 70% di umidità relativa

Si prega di notare che il valore dell'umidità relativa ha una tolleranza del 3% quando si accende la spia luminosa corrispondente.

5. Premere il pulsante modalità (E) nel ciclo per scegliere la modalità operativa desiderata tra:

- Modalità Asciugatura vestiti – premere una volta il pulsante modalità (E), l'indicatore (F) si accenderà. Per ottenere un rapido adempimento delle funzioni, il compressore funziona continuamente senza interruzioni, tranne nel caso in cui il serbatoio dell'acqua (3) sia pieno. La ventola rimane sempre ad alta velocità.

- Modalità di funzionamento normale – premere nuovamente il pulsante modalità (E), l'indicatore (G) si accenderà. Durante il funzionamento normale, il compressore funziona. L'utente può impostare il livello di umidità target premendo i pulsanti più e meno (3). L'intervallo di umidità impostato è: 30%-80% con incrementi del 5%. Quando l'umidità target raggiunge, il compressore smette di funzionare. Il ventilatore può essere impostato su entrambe: alta e bassa velocità a seconda delle proprie esigenze. Per scegliere la velocità della ventola tra bassa e alta, premere il pulsante (D), l'indicatore corrispondente (K) per l'alta velocità e (L) per la bassa velocità si illuminerà.

- Modalità circolazione dell'aria – premere nuovamente il pulsante modalità (E), l'indicatore (H) si accenderà. In questa modalità il compressore non funziona, funziona solo la ventola. È possibile regolare la velocità della ventola tra: bassa e alta velocità in base alle proprie esigenze.

- Modalità automatica — premere nuovamente il pulsante modalità (E), l'indicatore (I) si accenderà. In questa modalità, l'umidità target predefinita è del 55%. Quando l'umidità della stanza raggiunge il 55%, il compressore smette di funzionare, la ventola continua a funzionare solo. Quando l'umidità della stanza è superiore al 55%, il compressore riprende a funzionare.

In caso di interruzione di corrente il dispositivo ha la funzione di memoria e può ricordare l'ultima impostazione.

Funzione di drenaggio continuo

1. Se è necessario deumidificare l'aria per un lungo periodo, è possibile utilizzare la funzione di drenaggio continuo.

2. Prima del funzionamento continuo per un lungo periodo, è necessario controllare periodicamente il filtro dell'aria, il tubo di scarico o simili.

3. Togliere il serbatoio dell'acqua (3) dalla posizione originale, inserire il tubo allegato nel foro per lo scarico continuo dell'acqua (13) mostrato nella figura 5.

4. Quando si imposta l'umidità target in modalità di deumidificazione normale, è possibile impostare: 30-35-40-45-50-55-60-65-70-75-80%-CO-30% e così via. "CO" significa modalità di deumidificazione continua. In questa modalità è possibile scegliere la velocità della ventola tra bassa o alta velocità.

5. Una volta terminata la deumidificazione continua, smontare il tubo, posizionare il serbatoio dell'acqua (3) nella sua posizione originale e spegnere l'apparecchio.

Tubo di scarico: lunghezza: 30 cm, diametro interno: 17 mm, diametro esterno: 19 mm.

Funzionamento del timer - Funzione di arresto ritardato

Per impostare la funzione Timer OFF - RITARDATO STOP utilizzare il pulsante timer (C).

La funzione di spegnimento del timer può essere impostata quando il dispositivo è in funzione. Premere il pulsante del timer (C), l'indicazione del timer (M) si illuminerà. Il display digitale a LED (S) si illumina e appare "00", è necessario premere i pulsanti più o meno (B) per selezionare l'ora desiderata per lo spegnimento del dispositivo. Dopo aver impostato il timer, l'ora verrà visualizzata per 5 secondi e ricordata. Una volta impostato il timer, per controllare con il tempo rimanente premere il pulsante del timer (C). Il dispositivo si spegnerà automaticamente una volta trascorso il tempo impostato. Per ripristinare la funzione timer è necessario premere continuamente il pulsante del timer (C) mentre il valore temporale lampeggia, il valore temporale verrà modificato a zero. L'intervallo del timer va da 1 a 24 ore con un intervallo di 1 ora.

Controllo della temperatura ambiente

Per verificare la temperatura ambiente attuale, premere il pulsante Più per alcuni secondi, quando il valore verrà visualizzato sul display digitale a LED (S), allo stesso tempo verrà visualizzato l'indicatore della temperatura (N).

Controllo dell'umidità della stanza

Per verificare l'umidità attuale della stanza, guardare il valore mostrato dal display digitale a LED (S) o guardare il valore mostrato dal display digitale anteriore (12), allo stesso tempo l'indicatore di umidità (O) si illuminerà sul controllo pannello (1). Quando l'umidità attuale della stanza raggiunge l'umidità relativa impostata, l'indicatore dell'umidità target (P) si accenderà.

Premere nuovamente l'interruttore di alimentazione (A) per spegnere il dispositivo, il dispositivo smette di funzionare, solo l'indicatore di alimentazione (R) lampeggia per informare che il dispositivo è in stato di standby. Quando il dispositivo è acceso. L'indicatore di alimentazione (R) si illumina.

Svuotamento del serbatoio dell'acqua

1. Se il serbatoio dell'acqua (3) è pieno o il serbatoio dell'acqua (3) non è installato nella posizione corretta, l'indicazione del serbatoio dell'acqua pieno (Q) si accende sul pannello di controllo (1), il cicalino suona. Il dispositivo smetterà di funzionare

automaticamente.

2. Quando la spia del serbatoio dell'acqua pieno (Q) lampeggia, il dispositivo interrompe il funzionamento finché il serbatoio dell'acqua non è vuoto o impostato nella posizione corretta.

3. Per rimuovere il serbatoio dell'acqua (3), avvicinare delicatamente il serbatoio dell'acqua verso di sé tenendo le parti concave del serbatoio dell'acqua. Guarda l'immagine 3.

4. Per svuotare il serbatoio dell'acqua (3), utilizzare una maniglia per trasportarlo, quindi inclinarlo come mostrato nella figura 4 e scaricare lentamente l'acqua. Quindi, dovresti appoggiare la maniglia in piano prima di spingere delicatamente il serbatoio (3) nella sua posizione precedente all'interno dell'alloggiamento.

5. Di tanto in tanto è necessario pulire l'interno del serbatoio dell'acqua (6). Per aprire il serbatoio dell'acqua (3), regolare la posizione della maniglia del serbatoio dell'acqua in base alla forma dei fori nelle due parti in plastica su cui è montata la maniglia ed espandere delicatamente entrambi i bordi della maniglia per smontare completamente la maniglia. Ora è possibile aprire il coperchio del serbatoio dell'acqua e pulirlo con acqua, sapone per i piatti e un panno morbido. Non smontare né sollevare il galleggiante (6) dal serbatoio dell'acqua (3). Guarda l'immagine

Cicalino

Suona per 20 secondi quando il serbatoio dell'acqua (3) viene estratto durante il funzionamento.

Pulizia e manutenzione

1. Spegnerne il dispositivo e scollegare la spina di alimentazione prima di iniziare qualsiasi operazione di pulizia o altra manutenzione ordinaria.

2. Per evitare il rischio di scosse elettriche, non spruzzare o versare mai acqua sul deumidificatore durante la pulizia.

3. Spegnerne il dispositivo e svuotare l'acqua dal serbatoio prima di spostare il dispositivo. Assicurati di tenere la maniglia durante lo spostamento.

4. Pulisci l'alloggiamento del dispositivo con un panno umido e morbido.

5. Non smontare il galleggiante (6) dal serbatoio dell'acqua (3).

6. Prima del funzionamento continuo programmato per un lungo periodo, è necessario un controllo periodico soprattutto del filtro dell'aria a rete (8), del filtro a carboni attivi (11) e del tubo di scarico (13) o simili.

7. Per pulire o sostituire i filtri:

- staccare la spina ed estrarre il serbatoio dell'acqua (3)

- rimuovere la sede del filtro (9) come mostrato in figura 5

- rimuovere il filtro dell'aria a rete (8) dall'alloggiamento e rimuovere delicatamente il filtro ai carboni attivi (11)

- Estrarre il filtro HEPA (7) dall'apparecchio

- ogni due settimane pulire tutti e tre i filtri con un aspirapolvere oppure tamponarli leggermente per farli uscire. Le prestazioni di deumidificazione potrebbero diminuire se i filtri sono intasati di sporco

- rimontare i filtri e rimontare la sede del filtro (9).

Se i filtri sono gravemente intasati, lavarli con acqua e detersivo neutro, sciacquarli bene con acqua e lasciarli asciugare.

8. Non pulire il dispositivo con benzina, diluenti o detersivi liquidi.

9. Prima di un rimessaggio prolungato: avvolgere il cavo di alimentazione, svuotare il serbatoio dell'acqua e pulirlo con un panno morbido, pulire e asciugare tutti i filtri. Mantenere il dispositivo in posizione verticale per evitare malfunzionamenti o suoni anomali in futuro, evitare l'esposizione alla luce solare diretta.

Risoluzione dei problemi: controllare l'elenco seguente prima di contattare il venditore:

1. Problema: nessuna operazione

Punto di controllo 1: verificare se la spina di alimentazione è scollegata.

Soluzione 1: inserire completamente e saldamente la spina in una presa elettrica

Punto di controllo 2: verificare se il serbatoio dell'acqua è pieno d'acqua

Soluzione 2: svuotare l'acqua dal serbatoio .

Punto di controllo 3: verificare se il serbatoio dell'acqua non è posizionato correttamente .

Soluzione 3: posizionare correttamente il serbatoio sul dispositivo

Punto di controllo 4: verificare se il coperchio superiore in plastica nera dell'uscita dell'aria è chiuso

Soluzione 4: aprire il coperchio superiore

2. Problema: la capacità del deumidificatore è ridotta

Punto di controllo 1: vedere se i filtri sono sporchi

Soluzione 1: Pulire i filtri come specificato nel capitolo Pulizia e Manutenzione al punto 7

Punto di controllo 2: verificare se le aperture per l'aria sono ostruite

Soluzione 2: rimuovere gli ostacoli dalle aperture dell'aria

Punto di controllo 3: verificare se il deumidificatore è in modalità circolazione dell'aria

Soluzione 3: modificare la modalità operativa in modalità deumidificazione

3. Problema: rumore forte durante il funzionamento

Punto di controllo 1: verificare se il dispositivo è installato correttamente

Soluzione 1: installare il dispositivo su un pavimento piano e stabile

4. Problema: i panni lavati non vengono asciugati

Punto di controllo 1: verificare se gli indumenti lavati non sono esposti all'aria proveniente dall'apparecchio

Soluzione 1: provare ad esporre gli indumenti lavati al flusso d'aria

Punto di controllo 2: vedere se la temperatura ambiente è troppo bassa

Soluzione 2: gli indumenti lavati sono difficili da asciugare a basse temperature

Il dispositivo funziona correttamente quando si verifica il seguente fenomeno:

1. Descrizione del fenomeno: Il funzionamento si interrompe occasionalmente

Causa del fenomeno: L'apparecchio si sta sbrinando

2. Descrizione del fenomeno: il volume deumidificato è piccolo

Motivo del fenomeno: il volume del deumidificatore diminuisce quando la temperatura ambiente è bassa.

3. Descrizione del fenomeno: l'umidità nella stanza è ancora elevata

Motivo del fenomeno: la dimensione della stanza potrebbe essere troppo grande. Le porte o le finestre della camera potranno essere aperte e / o chiuse

frequentemente. Il deumidificatore viene utilizzato vicino a una stufa a cherosene che emette vapore.

4. Descrizione del fenomeno: Cattivo odore durante il funzionamento

Causa del fenomeno: L'odore viene emesso dalle pareti, dai mobili o da altri oggetti.

5. Descrizione del fenomeno: il suono viene prodotto all'interno del dispositivo

Motivo del fenomeno: La circolazione del refrigerante può causare rumore finché non diventa stabile.

6. Descrizione del fenomeno: Nel serbatoio è rimasta dell'acqua

Causa del fenomeno: è rimasta dell'acqua perché il dispositivo è stato sottoposto a un test di deumidificazione in fabbrica

7. Descrizione del fenomeno: viene emesso un segnale acustico

Causa del fenomeno: il cicalino suona quando il serbatoio dell'acqua è pieno d'acqua.

ATTENZIONE: l'agente refrigerante può essere riempito solo in fabbrica.

DATI TECNICI:

Capacità di deumidificazione a 30°C / 80% UR): 25 litri / 24 ore

Capacità di deumidificazione a 27°C / 60% UR): 13 litri / 24 ore

Livello di rumore: <= 48 dB (A)

Capacità serbatoio acqua: 6,5 litri

Flusso d'aria: 195 m3/ora

Peso del refrigerante R290: max. 65 grammi

Potenza in ingresso nominale: 320 W

Massimo. Potenza in ingresso nominale: 420 W

Alimentazione: 220-240V~50Hz



Attenzione, rischio di incendio.

NON perforare o bruciare.

Tenere presente che il refrigerante potrebbe non contenere odori.

La quantità massima di carica di refrigerante: 65 g.



Prendiamoci cura dell'ambiente naturale. I contenitori in cartone dovrebbero essere portati all'apposito punto di raccolta. I sacchi in polietilene (PE) vanno buttati nel contenitore per la plastica. L'apparecchio fuori uso deve essere rottamato presso un centro di raccolta autorizzato, poiché contiene elementi pericolosi che potrebbero costituire una minaccia per l'ambiente. Il dispositivo elettrico deve essere consegnato in modo da limitare il suo riutilizzo. Se l'apparecchio contiene batterie, è necessario rimuoverle e smaltirle separatamente.

HRVATSKI

OPĆI UVJETI SIGURNOSTI

VAŽNE SIGURNOSNE UPUTE PROČITAJTE UPOZORENJE I SPREMITI SE ZA BUDUĆNOST

1. Prije upotrebe uređaja, pročitajte korisnički priručnik i slijedite upute sadržane u njemu. Proizvođač ne odgovara za štetu nastalu upotrebom uređaja suprotno njegovoj predviđenoj namjeni ili nepravilnom radu.
2. Uređaj je namijenjen samo kućnoj uporabi. Ne koristite za druge svrhe koje nisu prema njegovoj predviđenoj namjeni.
3. Uređaj treba spojiti samo na izmjeničnu utičnicu s uzemljenim 220 240V ~ 50Hz. Da bi se povećala operativna sigurnost, više električnih uređaja ne smije istovremeno biti povezano na jedan strujni krug.

4. Budite izuzetno oprezni kada koristite uređaj kada su djeca u blizini. Ne dopustite djeci da se igraju s uređajem, ne dopustite djeci ili osobama koje nisu upoznate s uređajem.
5. **UPOZORENJE:** Ovu opremu mogu koristiti djeca starija od 8 godina i osobe ograničene tjelesne, senzorne ili mentalne sposobnosti, ili ljudi koji nemaju iskustva ili znanje o uređaju, ako se to radi pod nadzorom odgovorne osobe radi njihove sigurnosti ili su im odobreni podaci o sigurnoj upotrebi uređaja i svjesni su opasnosti upotrebe uređaja. Djeca se ne bi trebala igrati s opremom. Čišćenje i održavanje uređaja ne smiju obavljati djeca, osim ako imaju više od 8 godina i ove aktivnosti se izvode pod nadzorom.
6. Uvijek isključite utikač držeći utičnicu rukom nakon uporabe. **NE** povlačite kabel za napajanje.
7. Ne uranjajte kabel, utikač i cijeli uređaj u vodu ili bilo koju drugu tekućinu. Ne izlažite uređaj atmosferskim uvjetima (kiša, sunce itd...) I ne koristite u uvjetima visoke vlage (kupaonice, vlažne mobilne kućice).
8. Povremeno provjeravajte stanje kabela za napajanje. Ako je mrežni kabel oštećen, zamijenite ga specijaliziranoj servisnoj službi kako biste izbjegli opasnost.
9. Ne koristite uređaj s oštećenim kablom za napajanje ili ako je ispao ili oštećen na bilo koji drugi način ili ako ne radi ispravno. Ne popravljajte uređaj sami jer postoji opasnost od električnog udara. Oštećeni uređaj odnesite u odgovarajući servisni centar radi provjere ili popravka. Sve popravke smiju obavljati samo ovlašteni servisi. Nepravilno izvedeni popravci mogu ozbiljno opasiti za korisnika.
10. Uređaj postavite na hladnu i stabilnu površinu, daleko od vrućih kuhinjskih uređaja kao što su: električni štednjak, plinski plamenik itd...
11. Pazite da ništa ne blokira dovod i izlaz zraka u uređaju
12. Koristite uređaj samo na ravnoj površini kako ne bi došlo do prolijevanja kondenzata
13. Da biste osigurali dodatnu zaštitu, preporučljivo je u električni krug instalirati zaostalu struju (RCD), nazivna zaostala struja koja ne prelazi 30mA. Pitajte za to električara.
14. Redovito čistite filter za zrak. Učestalost čišćenja ovisi o čistoći zraka.
15. Nakon isključivanja stroja pričekajte najmanje 5 minuta prije nego što ga ponovno uključite.
16. Za učinkovito odvlaživanje vlage, potrebno je koristiti razmak od najmanje 20 cm između bočnih zidova uređaja i komprimiranog namještaja ili zavjesa.
17. Da biste izbjegli opasnost od požara ili eksplozije, ne prskajte sušilicu
18. Za korištenje dijelova kućišta, ne stavljajte ovlaživač zraka u blizinu grijaćih uređaja.
19. Uklonite vodu skupljenu u spremniku. Slučajno ispijanje vode ili korištenje s drugim ljudima može uzrokovati bolest.
20. Ne podržava uređaje s uklonjenim stražnjim poklopcem zbog pokretnih i vrućih dijelova.
21. Nemojte koristiti sredstva za otapanje ili rukovanje drugim proizvodima osim onih

koje je preporučio proizvođač.

22. Uređaj bi trebao biti dostupan u sklopu stalnog popisa izvora paljenja, tj. Bez otvorenog plamena, bez radnog plinskog uređaja ili bez grijača radnog uređaja.

23. Ne probijajte i ne pušite.

24. Imajte na umu da proizvođači proizvoda za hlađenje možda ne sadrže mirise.

Prije prve upotrebe:

1. Odvlaživač mora se koristiti na ravnoj i stabilnoj površini, držati udaljenosti između jedinice i drugih predmeta u skladu sa slikom 1 kako bi se osigurala prikladna učinkovitost. Zatvorite sve prozore i vrata prostorije u kojima želite odmrznuti zrak.
2. Da biste spriječili zamrzavanje vode, ne koristite odvlaživač i odvodno crijevo na sobnoj temperaturi ispod 0 ° C
3. Ne koristite odvlaživač vani. Izloženost izravnoj sunčevoj svjetlosti ili kiši može rezultirati pregrijavanjem, strujnim udarom i požarom.
4. Ne stavljajte spremnik vode na odvlaživač zraka kako biste izbjegli prolijevanje vode u uređaj unutar i oštetili izolaciju.
5. Nikad ne pokušavajte koristiti odvlaživač zraka za posebne namjene, kao što je odvlaživanje hrane ili očuvanje umjetničkih predmeta ili slično.
6. Ne koristite odvlaživač zraka gdje može doći do curenja ulja ili zapaljivog plina. Ne koristite jedinicu na mjestima koja su izložena kemikalijama.
7. Za kontinuirano odvodnja, osigurajte da je odvodno crijevo pravilno postavljeno uz nagib.
8. Pazite da uređaj za grijanje ne bude izložen vjetru iz uređaja za odvlaživanje zraka.
9. Nemojte koristiti odvlaživač zraka kao stolicu ili podlogu za stopala.
10. Ne uklanjajte plutajuću polugu iz spremnika vode.
11. Ne blokirajte otvore za zrak i otvore za zrak.
12. Ne prekrivajte jedinicu opranom odjećom.

Opis proizvoda: AD7863 2u1 odvlaživač i pročišćivač zraka

- | | |
|---|---|
| 1. Upravljačka ploča | 2. Ulaz zraka |
| 3. Spremnik za vodu 6,5L | 4. Otvor za zrak |
| 5. Ručka | 6. Plutač |
| 7. HEPA prevrtač zraka | 8. Mrežasti predfilter za zrak koji se može prati |
| 9. Kućište filtra | 10. Svjetlo indikatora vlažnosti |
| 11. Filter s aktivnim ugljenom | 12. Prednji digitalni zaslon |
| 13. Otvor za cijev za kontinuirani odvod vode | |

Upravljačka ploča (1):

- | | |
|---|---------------------------------------|
| A. Prekidač za napajanje | B. Tipke plus i minus |
| C. Gumb Timer 0-24 sata | D. Gumb brzine ventilatora |
| E. Tipka načina rada | F. Indikator načina rada suhe odjeće |
| G. Indikator normalnog načina rada | H. Indikator načina cirkulacije zraka |
| I. Indikator automatskog načina | J. Indikator samoodleživanja uređaja |
| K. Indikator velike brzine ventilatora | L. Indikator male brzine ventilatora |
| M. Indikator mjerača vremena | N. Indikator temperature |
| O. Indikator vlažnosti | P. Indikator cijane vlažnosti |
| Q. Indikator punog spremnika vode | R. Indikator snage |
| S. LED digitalni zaslon vlažnosti i timera te sobne temperature | |

UVJETI KORIŠTENJA

Ovaj odvlaživač nije prikladan za održavanje vrlo niske vlažnosti, otprilike 50 % ili manje .

Ovaj odvlaživač je dizajniran za uklanjanje neugodne vlage u svakodnevnom životu i za pomoćno sušenje opranog rublja u zatvorenom prostoru . Ovo nije prikladno za održavanje vrlo niske vlažnosti .

Normalno je da uređaj proizvodi toplinu tijekom rada i sobna temperatura raste za 1C do 4C, jer ovaj uređaj nema funkciju hlađenja . Temperatura postaje viša dok radi u ormaru ili slično . Nadalje , sobna temperatura raste jer su vrata i prozori zatvoreni, a toplina se proizvodi iz drugih uređaja u prostoriji i sunčevog zračenja . Ovaj odvlaživač ne može se koristiti za održavanje ekstremno niske temperature. Funkcija ovog odvlaživača zraka je ispumpanje neugodne, visoke vlage.

FUNKCIJA SAMOODMRZAVANJA UREĐAJA

Kada se inje nakupi na zavojnicama isparivača unutar uređaja, pokrenut će se funkcija automatskog odmrzavanja. The kompresor će se isključiti, a ventilator će nastaviti raditi dok se inje ne ukloni. Kada uređaj radi na sobnoj temperaturi između 5 stupnjeva Celzija

i 12 stupnjeva Celzija , zaustavit će se odmrzavanje na oko 3 minute svakih 8 minuta. Kada uređaj radi na sobnoj temperaturi između 12 Celzijevih stupnjeva i 18 stupnja Celzijusa , zaustavit će se odleđivanje oko 5 minuta svakih 25 minuta. Kada uređaj radi na sobnoj temperaturi između 18 stupnjeva Celzijusa i 23 stupanj Celzijusa zaustavit će se radi odmrzavanja oko 5 minuta svakih 120 minuta. Pričekajte 3 minute prije nastavka rada. Nakon što se kompresor zaustavi, ne može ponovno pokrenuti rad dok ne prođe 3 minute. Indikator (J) na upravljačkoj ploči (1) svijetli sve vrijeme dok je aktivno samoodmrzavanje.

VAŽNO !

I funkcija odvlaživanja i funkcija pročišćavanja zraka zaustavljaju se tijekom postupka odmrzavanja .
Tijekom odmrzavanja nemojte izvlačiti utikač uređaja niti ga isključiti .

Kapacitet odvlaživanja

1. Dnevni kapacitet odvlaživanja odvlaživača ovisi o sobnoj temperaturi i relativnoj vlažnosti zraka. Na različitim temperaturama i relativnoj vlažnosti, može imati različit kapacitet odvlaživanja.
2. Pri istoj sobnoj temperaturi, kapacitet odvlaživanja veći je pri višoj relativnoj vlažnosti, a kapacitet odvlaživanja manji pri nižoj relativnoj vlažnosti. Pri istoj relativnoj vlažnosti, kapacitet odvlaživanja veći je pri višoj temperaturi, a kapacitet odvlaživanja manji pri nižoj temperaturi.
3. Ako je odvlaživač postavljen u ormar, njegov kapacitet odvlaživanja može se znatno smanjiti u kratkom razdoblju nakon rada zbog jako smanjene vlažnosti u ormariću.
4. Za 30°C / 27°C sobne temperature i 80% / 60% relativne vlažnosti, kapacitet odvlaživanja je oko 25 /13 litara vode kada je izlaz zraka potpuno otvoren.

Sustav pročišćavanja zraka - filtracija u 3 stupnja

Sustav je dizajniran za uklanjanje čestica zagađivača i mirisa iz zraka. Uređaj uključuje sljedeće filtere:

1. Mrežasti predfilter za zrak koji se može prati (8): koristi se za filtriranje prašine i dlaka u zraku.
2. Filter s aktivnim ugljenom: uklanja miris uzrokovan npr. cigaretom, kućnim ljubimcem itd.
3. HEPA filter H13: Filtrira prašinu, čestice zagađivača i osvježava zrak. HEPA H13 filter učinkovito zadržava 99,95% čestica onečišćenja veličine do 0,3 mikrona u strujajućem zraku. HEPA H13 filter je pogodan za pročišćavanje zraka za osobe koje pate od alergija.

Operacija

1. Postavite uređaj uspravno kako biste izbjegli zastoj u radu i neobičan zvuk. Održavajte razmak između drugih objekata kao što je prikazano na slici 1.
2. HEPA filter (7) pakiran je u polietilenske vrećice, molimo uklonite plastične vrećice prije upotrebe.
3. Otvorite crni poklopac na vrhu uređaja kako bi zrak lakše izašao.
4. Uključite uređaj, prekidač za napajanje (A) treperi na upravljačkoj ploči (1), pritisnite ga da biste uključili uređaj. Digitalni zaslon (S) će pokazati trenutnu razinu vlažnosti u prostoriji. Istovremeno će zasvijetliti indikator vlažnosti (10) na prednjem gornjem rubu uređaja.

Tijekom rada, indikator vlažnosti pokazuje trenutnu razinu vlažnosti u prostoriji:

- Plava boja označava nisku vlažnost ispod 50% relativne vlažnosti
- Zelena boja označava srednju vlažnost u rasponu od 51% - 69% relativne vlažnosti
- Crvena boja označava visoku vlažnost preko 70% relativne vlažnosti

Imajte na umu da vrijednost relativne vlažnosti ima toleranciju od 3% kada svijetli odgovarajuće indikatorsko svjetlo.

5. Pritišćite tipku načina rada (E) u ciklusu za odabir željenog načina rada između:

- Način sušenja odjeće – jednom pritisnete tipku načina rada (E), indikator (F) će zasvijetliti. Za brzo ispunjavanje funkcija, kompresor radi kontinuirano bez zaustavljanja, osim u slučaju da je spremnik za vodu (3) pun. Ventilator stalno radi na velikoj brzini.
- Normalni način rada – ponovno pritisnete gumb za način rada (E), indikator (G) će zasvijetliti. Pod normalnim radom, kompresor radi. Korisnik može postaviti ciljnu razinu vlažnosti pritiskom na tipke plus i minus (3). Postavljeni raspon vlažnosti je: 30%-80% s korakom od 5%. Kada ciljna vlažnost dosegne, kompresor prestaje raditi. Ventilator se može postaviti na obje: visoku i nisku brzinu prema vašim potrebama. Za odabir brzine ventilatora između niske i visoke, pritisnite gumb (D), odgovarajući indikator (K) za veliku brzinu i (L) za nisku brzinu će zasvijetliti.
- Način kruženja zraka – ponovno pritisnete gumb za način rada (E), indikator (H) će zasvijetliti. U ovom načinu rada kompresor ne radi, radi samo ventilator. Možete podesiti brzinu ventilatora između: niske i velike brzine prema vašim potrebama.
- Automatski način — ponovno pritisnete tipku načina (E), indikator (I) će zasvijetliti. U ovom načinu rada, zadana ciljna vlažnost je 55%. Kada vlažnost u prostoriji dosegne 55%, kompresor prestaje raditi, samo ventilator nastavlja raditi. Kada je vlažnost zraka u prostoriji viša od 55%, kompresor ponovno počinje raditi.

U slučaju nestanka struje uređaj ima funkciju memorije i može zapamtiti zadnje podešavanje.

Funkcija kontinuirane drenaže

1. Ako trebate odvlažiti zrak dulje vrijeme, možete koristiti funkciju kontinuirane drenaže.

2. Prije kontinuiranog dugotrajnog rada potrebna je povremena provjera, posebno za filter za pročišćavanje zraka, odvodnu cijev ili slično.
3. Izvadite spremnik za vodu (3) iz prvobitnog položaja, umetnite pričvršćenu cijev na otvor za kontinuirani odvod vode (13) prikazano na slici 5.
4. Kada postavite ciljnu vlažnost u normalnom načinu odvlaživanja, možete postaviti: 30-35-40-45-50-55-60-65-70-75-80%-CO-30% i tako dalje. "CO" znači kontinuirani način odvlaživanja. U ovom načinu rada brzina ventilatora može se birati između niske ili velike brzine.
5. Nakon završetka kontinuiranog odvlaživanja, rastavite cijev, postavite spremnik za vodu (3) na izvorno mjesto i isključite uređaj. Odvodnu cijev: duljina: 30 cm, unutarnji promjer: 17 mm, vanjski promjer: 19 mm.

Rad timera - funkcija Delay Stop

Za postavljanje funkcije Timer OFF - DELAY STOP koristite tipku timera (C).

Funkcija timera za isključivanje može se postaviti dok uređaj radi. Pritisnite gumb Timer (C), indikator timera (M) će zasvijetliti. Zasvijetli LED digitalni zaslon (S) i pojavi se "00", pritiskom na tipke plus ili minus (B) odaberite željeno vrijeme za isključivanje uređaja. Nakon postavljanja mjerača vremena, vrijeme će se prikazati 5 sekundi i zapamtiti. Nakon što je mjerač vremena postavljen, za provjeru lijevog vremena pritisnite tipku mjerača vremena (C). Uređaj će se automatski isključiti nakon što prođe postavljeno vrijeme. Za poništavanje funkcije mjerača vremena potrebno je stalno pritiscati tipku mjerača vremena (C) dok vrijednost vremena treperi, vrijednost vremena će se promijeniti na nulu. Raspon mjerača vremena je od 1 do 24 sata s intervalom od 1 sata.

Provjera sobne temperature

Kako biste provjerili trenutnu sobnu temperaturu, pritisnite tipku Plus na nekoliko sekundi, kada će se vrijednost prikazati na LED digitalnom zaslonu (S), istovremeno će se prikazati indikator temperature (N).

Provjera vlažnosti u prostoriji

Kako biste provjerili trenutnu vlažnost zraka u prostoriji, pogledajte vrijednost prikazanu na LED digitalnom zaslonu (S) ili pogledajte vrijednost prikazanu na prednjem digitalnom zaslonu (12), istovremeno će indikator vlažnosti (O) zasvijetliti na upravljačkoj ploči. ploča (1). Kada trenutna vlažnost u prostoriji dosegne postavljenu relativnu vlažnost, indikator ciljne vlažnosti (P) će zasvijetliti.

Ponovno pritisnite prekidač napajanja (A) da biste isključili uređaj, uređaj prestaje raditi, samo će indikator napajanja (R) treperiti kako bi obavijestio uređaj da je u stanju pripravnosti. Kada je uređaj uključen. Indikator napajanja (R) svijetli.

Pražnjenje spremnika za vodu

1. Ako je spremnik za vodu (3) pun ili spremnik za vodu (3) nije instaliran u ispravnom položaju, indikator punog spremnika za vodu (Q) svijetli na upravljačkoj ploči (1) i oglašava se zujalica. Uređaj će automatski prestati s radom.
2. Kada indikatorna lampica punog spremnika vode (Q) treperi, uređaj prestaje s radom dok se spremnik vode ne isprazni ili ne postavi u ispravan položaj.
3. Za uklanjanje spremnika za vodu (3) nježno povucite spremnik za vodu prema sebi držeći konkavne dijelove spremnika za vodu. Pogledajte sliku 3.
4. Kako biste ispraznili spremnik za vodu (3), koristite ručku za nošenje, zatim ga nagnite kao što je prikazano na slici 4 i polako ispustite vodu. Zatim biste trebali položiti ručku ravno prije nego što lagano gurnete spremnik (3) natrag u njegov prethodni položaj unutar kućišta.
5. S vremena na vrijeme treba očistiti spremnik za vodu (6) iznutra. Da biste otvorili spremnik za vodu (3), prilagodite položaj ručke spremnika za vodu u obliku rupa u dva plastična dijela na koja je ručka spojena i nježno proširite oba ruba ručke kako biste potpuno rastavili ručku. Sada možete otvoriti poklopac spremnika za vodu i očistiti spremnik za vodu vodom s sredstvom za pranje posuđa i mekom krpom. Nemojte rastavljati niti podizati plovak (6) iz spremnika za vodu (3). Pogledajte sliku

Zujalo

Oglašava se 20 sekundi kada se tijekom rada izvadi spremnik za vodu (3).

Čišćenje i održavanje

1. Isključite uređaj i odspojite utikač prije početka bilo kakvog čišćenja ili drugog rutinskog održavanja.
2. Kako biste izbjegli rizik od strujnog udara, nikada ne prskajte niti prolijevajte vodu po odvlaživaču tijekom čišćenja.
3. Isključite uređaj i ispraznite vodu iz spremnika za vodu prije pomicanja uređaja. Obavezno držite ručku dok se krećete.
4. Obrišite kućište uređaja mokrom i mekom krpom.
5. Nemojte rastavljati plovak (6) iz spremnika za vodu (3).
6. Prije planiranog dugotrajnog kontinuiranog rada, potrebna je periodična provjera posebno za mrežasti filter za zrak (8), filter s aktivnim ugljenom (11) i odvodnu cijev (13) ili slično.
7. Za čišćenje ili zamjenu filtera:
 - odspojite utikač i izvadite spremnik za vodu (3)
 - uklonite kućište filtera (9) kao što je prikazano na slici 5

- uklonite mrežasti filtar za zrak (8) iz kućišta i nježno uklonite filtar s aktivnim ugljenom (11)
 - izvucite HEPA filter (7) iz uređaja
 - svaka dva tjedna očistite sve tri filtera usisavačem ili ih lagano tapkajte da ih istresite. Učinkovitost odvlaživanja može se smanjiti ako su filteri začepljeni prljavštinom
 - vratite filtere i ponovno sastavite kućište filtera (9).
- Ako su filteri ozbiljno zaprljani, operite u vodi s neutralnim deterdžentom, dobro isperite vodom i ostavite dok se ne osuši.
8. Nemojte čistiti uređaj benzinom, razrjeđivačem ili tekućim deterdžentom.
9. Prije dužeg skladištenja: skupite kabel za napajanje, ispraznite spremnik za vodu i obrišite ga mekom krpom, očistite i osušite sve filtere. Postavite uređaj u uspravan položaj kako biste izbjegli kvar ili nenormalan zvuk u budućnosti, izbjegavajte izlaganje izravnoj sunčevoj svjetlosti.

Rješavanje problema: provjerite popis u nastavku prije nego što kontaktirate prodavača:

1. Problem: nema operacije

Točka provjere 1: provjerite je li utikač isključen.

Rješenje 1: umetnite utikač u električnu utičnicu do kraja i čvrsto

Točka provjere 2: provjerite je li spremnik za vodu pun vode

Rješenje 2: Ispraznite vodu iz spremnika .

Točka provjere 3: provjerite je li spremnik za vodu pravilno postavljen .

Rješenje 3: Postavite spremnik na uređaj u pravilan položaj

Točka provjere 4: provjerite je li gornji poklopac od crne plastike za izlaz zraka zatvoren

Rješenje 4: otvorite gornji kapak

2. Problem: kapacitet odvlaživača je mali

Točka provjere 1: provjerite jesu li filteri prljavi

Rješenje 1: Očistite filtre kako je navedeno u poglavlju Čišćenje i održavanje u točki 7

Točka provjere 2: provjerite jesu li otvori za zrak začepljeni

Rješenje 2: uklonite prepreke s otvora za zrak

Točka provjere 3: provjerite je li odvlaživač u načinu rada cirkulacije zraka

Rješenje 3: Promijenite način rada u način odvlaživanja

3. Problem: glasan zvuk tijekom rada

Točka provjere 1: provjerite je li uređaj ispravno instaliran

Rješenje 1: Postavite uređaj na ravan i stabilan pod

4. Problem: oprane krpe se ne suše

Točka provjere 1: provjerite nije li oprana odjeća izložena zraku iz uređaja

Rješenje 1: Opranu odjeću pokušajte izložiti strujanju zraka

Točka provjere 2: provjerite je li sobna temperatura preniska

Rješenje 2: Opranu odjeću teško je sušiti u uvjetima niske temperature

Uređaj radi ispravno kada se dogodi sljedeći fenomen:

1. Opis fenomena: Rad se povremeno zaustavlja

Uzrok fenomena: Uređaj se odleđuje

2. Opis fenomena: Ovdlašeni volumen je mali

Uzrok fenomena: Ovdlašivač zraka slabiji kada je sobna temperatura niska.

3. Opis fenomena: Vлага u prostoriji je još uvijek visoka

Razlog fenomena: Veličina sobe je možda prevelika . Vrata ili prozori sobe mogu se otvarati i / ili zatvarati često . Ovdlašivač se koristi u blizini kerozinskog grijača koji ispušta paru .

4. Opis fenomena: Loš miris tijekom rada

Uzrok fenomena: Miris se emitira iz zidova , namještaja ili drugih predmeta .

5. Opis fenomena: Zvuk se proizvodi unutar uređaja

Uzrok fenomena: Kruženje rashladnog sredstva može uzrokovati zvuk dok se ne stabilizira .

6. Opis fenomena: Voda je ostala u spremniku za vodu

Uzrok fenomena: Ostalo je vode jer je uređaj tvornički podvrgnut testu odvlaživanja

7. Opis fenomena: Oglašava se zujalica

Uzrok fenomena: Zvučni signal se oglašava kada je spremnik za vodu pun vode .

OPREZ: Sredstvo za hlađenje može se puniti samo u tvornici.

TEHNIČKI PODACI:

Kapacitet odvlaživanja na 30°C / 80% RH): 25 litara / 24 sata

Kapacitet odvlaživanja na 27°C / 60% RH): 13 litara / 24 sata

Razina buke: <= 48dB (A)



Oprez, opasnost od požara

NE bušiti i ne paliti.

Imajte na umu da rashladno sredstvo ne sadrži neugodan miris.

Maksimalna količina punjenja rashladnog sredstva: 65g.



Vodimo brigu o prirodnem okolju. Kartonsku ambalažo molimo prejeti na odpadni papir. Polietilen (PE) vreče bacati u kontejner za plastiku. Istrošena oprema treba biti premještena na prikladno mjesto za pohranu, jer sadrže u uređju opasne tvari mogu predstavljati opasnost za okoliš. Električni uređaj mora biti predat u takvom stanju da se smanji mogućnost njegove ponovne upotrebe. Ako vaš uređaj ima baterije, treba njih ukloniti i predati na mjesto za pohranu odvojeno.

SLOVENŠČINA

SPLOŠNI VARNOSTNI POGOJI

POMEMBNA VARNOSTNA NAVODILA PREVIDNO PREBERITE IN PRIPRAVITE SE ZA PRIHODNOST

1. Pred uporabo naprave preberite navodila za uporabo in sledite navodilom, ki jih vsebuje. Proizvajalec ne odgovarja za škodo, ki jo povzroči uporaba naprave v nasprotju s predvidenim namenom ali nepravilnim delovanjem.
2. Naprava je samo za domačo uporabo. Ne uporabljajte za druge namene, ki niso predvideni.
3. Napravo je treba priključiti na električno vtičnico le z ozemljenim 220 240 V ~ 50Hz. Za povečanje obratovalne varnosti več električnih naprav ne bi smelo biti priključeno na en tokovni tokokrog hkrati.
4. Bodite zelo previdni pri uporabi naprave, ko so otroci v bližini. Ne dovolite otrokom, da se igrajo z napravo, ne dovolite otrokom ali ljudem, ki jih naprava ne pozna, da jo uporabljajo.
5. **OPOZORILO:** To opremo lahko uporabljajo otroci, starejši od 8 let, in osebe z omejenimi telesnimi, senzoričnimi ali duševnimi sposobnostmi ali osebe, ki nimajo izkušenj ali znanja o opremi, če se to izvaja pod nadzorom odgovorne osebe. zaradi varnosti ali so jim bili odobreni podatki o varni uporabi naprave in se zavedajo nevarnosti uporabe. Otroci se ne smejo igrati z opremo. Čiščenja in vzdrževanja naprave ne smejo izvajati otroci, razen če so starejši od 8 let in se te dejavnosti izvajajo pod nadzorom.
6. Vedno odklopite napajalni kabel, tako da po uporabi držite vtičnico z roko. NE vlecite napajalnega kabla.
7. Kabla, vtiča in celotne naprave ne potopite v vodo ali katero koli drugo tekočino. Naprave ne izpostavljajte atmosferskim razmeram (dež, sonce itd...) In ne uporabljajte v pogojih visoke vlažnosti (kopalnice, vlažne mobilne hišice).
8. Občasno preverite stanje napajalnega kabla. Če je napajalni kabel poškodovan, ga zamenjajte s specializirano servisno delavnico, da se izognete nevarnosti.
9. Naprave ne uporabljajte s poškodovanim napajalnim kablom ali če je padel ali poškodovan na kakršen koli drug način ali če ne deluje pravilno. Naprave ne popravljajte sami, saj obstaja nevarnost električnega udara. Poškodovano napravo odnesite v ustrezen servisni center, da preverite ali popravite. Vsa popravila smejo izvajati samo pooblaščenji serviserji. Nepravilno opravljena popravila lahko za uporabnika resno ogrozijo.
10. Napravo postavite na hladno in stabilno površino, stran od vročih kuhinjskih aparatov, kot so: električni štedilnik, plinski gorilnik itd...

11. Prepričajte se, da nič ne blokira dovoda in izstopa zraka v napravi
12. Napravo uporabljajte samo na ravni površini, da preprečite razlitje kondenzata
13. Za dodatno zaščito je priporočljivo v električni tokokrog vgraditi napravo za preostali tok (RCD) z nazivno preostalo vrednostjo, ki ne presega 30 mA. Za to vprašajte električarja.
14. Zračni filter redno čistite. Pogostost čiščenja je odvisna od čistoče zraka.
15. Po izklopu stroja počakajte vsaj 5 minut, preden ga ponovno vklopite.
16. Za učinkovito razvlaževanje je treba med stranskimi stenami naprav in stisnjenim pohištvom ali zavesami uporabiti najmanj 20 cm reže.
17. Sušilnika ne razpršite, da preprečite nevarnost požara ali eksplozije
18. Za uporabo delov ohišja ne odlagajte vlažilcev v bližini grelnih naprav.
19. Odstranite vodo, zbrano v rezervoarju. Nenamerno pitje vode ali uporaba z drugimi ljudmi lahko povzroči bolezen.
20. Ne podpira naprav z odstranjenim zadnjim pokrovom zaradi premikajočih in vročih delov.
21. Za odtajevanje ali obratovanje ne uporabljajte drugih sredstev, razen tistih, ki jih priporoča proizvajalec.
22. Naprava mora biti na voljo kot del stalnega seznama virov vžiga, tj. Brez odprtega plamena, brez delujoče plinske naprave ali brez delujočega grelnika naprave.
23. Ne prebijajte in ne kadite.
24. Upoštevajte, da proizvajalci hladilnikov morda ne vsebujejo dišav.

Pred prvo uporabo:

1. Razvlaževalnik zraka je treba uporabljati na ravni in stabilni površini, vzdrževati razdalje med enoto in drugimi predmeti v skladu s sliko 1, da zagotovite primerno učinkovitost. Zaprite vsa okna in vrata sobe, ki jo želite razvlažiti.
2. Za preprečitev zmrzovanja vode ne uporabljajte razvlaževalnika in odtočne cevi pri sobni temperaturi pod 0 ° C
3. Ne uporabljajte vlažilnika zunaj. Izpostavljenost neposredni sončni svetlobi ali dežju lahko povzroči pregrevanje, električni udar in požar.
4. Ne postavljajte rezervoarja za vodo na razvlaževalnik, da ne bi prišlo do razlitja vode v enoto znotraj in poslabša izolacijo.
5. Nikoli ne poskušajte uporabljati razvlaževalnika zraka za posebne namene, kot je razvlaževanje hrane ali ohranjanje umetniških predmetov ali podobno.
6. Ne uporabljajte razvlaževalnika zraka, kjer lahko pride do uhajanja olja ali vnetljivega plina. Ne uporabljajte enote na mestih, ki so izpostavljene kemikalijam.
7. Za stalno izpraznitev poskrbite, da je odtočna cev pravilno nastavljena z naklonom.
8. Pazite, da grelna naprava ne bo izpostavljena vetru iz razvlaževalnika.
9. Ne uporabljajte razvlaževalnika zraka kot stola ali stopala.
10. Ne odstranjujte ročice s plovcem iz rezervoarja za vodo.
11. Ne blokirajte dovodov in odprtín za dovod zraka.
12. Enote ne prekrivajte z opranimi oblačili.

Opis izdelka: AD7863 2v1 razvlaževalec in čistilec zraka

- | | |
|---|---------------------------------------|
| 1. Nadzorna plošča | 2. Dovod zraka |
| 3. Rezervoar za vodo 6,5L | 4. Odprtina za zrak |
| 5. Ročaj | 6. Plovec |
| 7. HEPA filtrirnik zraka | 8. Pralni mrežasti predfilter za zrak |
| 9. Ohišje filtra | 10. Indikatorska lučka vlažnosti |
| 11. Filter z aktivnim ogljem | 12. Sprednji digitalni zaslon |
| 13. Luknja za cev do neprekinjenega odtoka vode | |

Nadzorna plošča (1):

- | | |
|---|--|
| A. Stikalo za vklop | B. Gumba plus in minus |
| C. Gumb časovnika 0-24 ur | D. Gumb za hitrost ventilatorja |
| E. Gumb za način | F. Indikator načina za suho perilo |
| G. Indikator načina normalnega delovanja | H. Indikator načina kroženja zraka |
| I. Indikator samodejnega načina | J. Indikator samoodmrzovanja naprave |
| K. Indikator visoke hitrosti ventilatorja | L. Indikator nizke hitrosti ventilatorja |
| M. Indikator časovnika | N. Indikator temperature |
| O. Indikator vlažnosti | P. Indikator ciljne vlažnosti |
| Q. Indikator polne posode za vodo | R. Indikator moči |
| S. LED digitalni prikazovalnik vlažnosti in časovnika ter sobne temperature | |

POGOJI UPORABE

Ta razvlaževalec ni primeren za vzdrževanje zelo nizke vlažnosti, približno 50 % ali manj .

Ta razvlaževalec je zasnovan za odstranjevanje neprijetne vlage v vsakdanjem življenju in za pomožno sušenje opranega perila v zaprtih prostorih . To ni primerno za vzdrževanje zelo nizke vlažnosti .

Običajno je, da naprava med delovanjem proizvaja toploto in temperatura v prostoru naraste za 1C do 4C, ker ta naprava nima funkcije hlajenja . Temperatura postane višja, ko ga uporabljate v omari ali podobno . Poleg tega se sobna temperatura dvigne , ker so vrata in okna zaprta, toplota pa se proizvaja iz drugih naprav v prostoru in sončnega sevanja . Tega razvlaževalnika ni mogoče uporabiti za vzdrževanje ekstremno nizke temperature. Naloga tega razvlaževalnika je črpanje neprijetne, visoke vlažnosti.

FUNKCIJA SAMOODTALJEVANJA NAPRAVE

Ko se led nabere na tuljavah uparjalnika v napravi, se zažene funkcija samodejnega odmrzovanja. The kompresor se bo izklopil in ventilator bo deloval še naprej, dokler se zmrzal ne odstrani. Ko naprava deluje pri sobni temperaturi med 5 stopinj Celzija in 12 stopinj Celzija se bo vsakih 8 minut ustavilo pri odmrzovanju za približno 3 minute. Ko naprava deluje pri sobni temperaturi med 12 stopinj Celzija in 18 stopinj Celzija , se bo ustavilo pri odmrzovanju za približno 5 minut vsakih 25 minut. Ko naprava deluje pri sobni temperaturi med 18 stopinjami Celzija in 23 stopinj Celzija vsakih 120 minut se bo ustavilo zaradi odmrzovanja za približno 5 minut. Počakajte 3 minute, preden nadaljujete z delovanjem. Ko se kompresor ustavi, ne more znova zagnati delovanja dokler ne minejo 3 minute. Indikator (J) na nadzorni plošči (1) sveti ves čas, ko je aktivno samoodtaljevanje.

POMEMBNO!

Tako funkcija razvlaževanja kot tudi funkcija čiščenja zraka se med odtaljevanjem zaustavita .

Med odmrzovanjem naprave ne izključite iz vtičnice ali naprave .

Zmogljivost razvlaževanja

1. Dnevna zmogljivost razvlaževanja razvlaževalnika je odvisna od sobne temperature in relativne vlažnosti. Pri različnih temperaturah in relativni vlažnosti ima lahko različno zmogljivost razvlaževanja.
2. Pri enaki sobni temperaturi je zmogljivost razvlaževanja večja pri višji relativni vlažnosti, zmogljivost razvlaževanja pa manjša pri nižji relativni vlažnosti. Pri enaki relativni vlažnosti je zmogljivost razvlaževanja večja pri višji temperaturi, zmogljivost razvlaževanja pa manjša pri nižji temperaturi.
3. Če razvlaževalec postavite v ohišje, se lahko njegova zmogljivost razvlaževanja v kratkem času po delovanju močno zmanjša zaradi vlažnosti v ohišju.
4. Za 30 °C / 27 °C sobne temperature in 80 % / 60 % relativne vlažnosti je zmogljivost razvlaževanja približno 25/13 litrov vode, ko je izhod zraka popolnoma odprt.

Sistem za čiščenje zraka - 3-stopenjska filtracija

Sistem je zasnovan za odstranjevanje delcev onesnaževal in vonjav iz zraka. Naprava vključuje naslednje filtre:

1. Pralni mrežasti predfilter za zrak (8): uporabite za filtriranje prahu in dlak v zraku.
2. Filter z aktivnim ogljem: odstrani vonj, ki ga povzročata npr. cigareta, hišni ljubljencek itd.
3. HEPA filter H13: Filtrira prah, delce onesnaževal in osvežuje zrak. Filter HEPA H13 učinkovito zadrži 99,95 % delcev onesnaževal velikosti do 0,3 mikrona v pretočnem zraku. Filter HEPA H13 je primeren za čiščenje zraka za alergike.

Delovanje

1. Napravo postavite pokonci, da se izognete nepravilnemu delovanju in nenavadnemu zvoku. Ohranite razdaljo med drugimi predmeti, kot je prikazano na sliki 1.
2. HEPA filter (7) je zapakiran v polivrečke, prosimo, da polivrečko pred uporabo odstranite.
3. Odprite črni pokrov na vrhu naprave, da zrak zlahka pride ven.
4. Priključite napravo, stikalo za vklop (A) utripa na nadzorni plošči (1), pritisnite ga, da vklopite napravo. Digitalni zaslon (S) bo prikazal trenutno raven vlažnosti v prostoru. Istočasno bo na sprednjem zgornjem robu naprave zasvetila indikatorska lučka za

vlažnost (10).

Med delovanjem lučka za prikaz vlažnosti prikazuje trenutno raven vlažnosti v prostoru:

- Modra barva pomeni nizko vlažnost pod 50% relativne vlažnosti
- Zelena barva pomeni srednjo vlažnost v območju 51% - 69% relativne vlažnosti
- Rdeča barva pomeni visoko vlažnost nad 70% relativne vlažnosti

Upoštevajte, da ima vrednost relativne vlažnosti 3 % toleranco, ko zasveti ustrezna indikatorska lučka.

5. V ciklu pritisnite gumb za način (E), da izberete želeni način delovanja med:

- Način za suho perilo – enkrat pritisnite gumb za način (E), indikator (F) bo zasvetil. Za hitro izpolnjevanje funkcije kompresor deluje neprekinjeno brez zaustavitve, razen če je rezervoar za vodo (3) poln. Ventilator ima ves čas visoko hitrost.
- Normalni način delovanja – znova pritisnite gumb za način (E), indikator (G) bo zasvetil. Pri normalnem delovanju kompresor deluje. Uporabnik lahko nastavi ciljno raven vlažnosti s pritiskom na gumba plus in minus (3). Nastavljeno območje vlažnosti je: 30%-80% s 5% korakom. Ko je ciljna vlažnost dosežena, kompresor preneha delovati. Ventilator lahko nastavite tako na visoko kot na nizko hitrost glede na vaše potrebe. Za izbiro med nizko in visoko hitrostjo ventilatorja pritisnite gumb (D), zasvetila bosta ustrezna indikatorja (K) za visoko hitrost in (L) za nizko hitrost.
- Način kroženja zraka – znova pritisnite gumb za način (E), indikator (H) bo zasvetil. V tem načinu kompresor ne deluje, deluje samo ventilator. Hitrost ventilatorja lahko prilagodite med: nizko in visoko hitrostjo glede na vaše potrebe.
- Samodejni način — znova pritisnite gumb za način (E), indikator (I) bo zasvetil. V tem načinu je privzeta ciljna vlažnost 55 %. Ko vlaga v prostoru doseže 55 %, kompresor preneha delovati, samo še ventilator. Ko je vlažnost v prostoru višja od 55 %, kompresor ponovno začne delovati.

V primeru izpada elektrike ima naprava spominsko funkcijo in si lahko zapomni zadnjo nastavitvev.

Funkcija stalne drenaže

1. Če morate zrak razvlažiti dlje časa, lahko uporabite funkcijo neprekinjenega odvajanja.
2. Pred dolgotrajnim neprekinjenim delovanjem je potrebno redno preverjanje, zlasti filtra za čisti zrak, odtočne cevi ali podobnega.
3. Odstranite rezervoar za vodo (3) iz prvotnega položaja, vstavite pritrjeno cev na luknjo za neprekinjen odtok vode (13). prikazano na sliki 5.
4. Ko nastavite ciljno vlažnost v običajnem načinu razvlaževanja, lahko nastavite: 30-35-40-45-50-55-60-65-70-75-80%-CO-30% in tako naprej. »CO« pomeni neprekinjen način razvlaževanja. V tem načinu lahko hitrost ventilatorja izbirate med nizko ali visoko hitrostjo.
5. Po končanem neprekinjenem razvlaževanju razstavite cev, postavite rezervoar za vodo (3) na prvotno mesto in izklopite napravo. Odtočna cev: dolžina: 30 cm, notranji premer: 17 mm, zunanji premer: 19 mm.

Delovanje s časovnikom - funkcija Delay Stop

Za nastavitve funkcije Timer OFF - DELAY STOP uporabite gumb timer (C).

Funkcijo časovnika za izklop lahko nastavite, ko naprava deluje. Pritisnite gumb Timer (C), prikaz časovnika (M) bo zasvetil. LED digitalni zaslon (S) zasveti in prikaže se "00", s pritiskom na gumb plus ali minus (B) izberite želeni čas za izklop naprave. Ko je časovnik nastavljen, se bo čas prikazal 5 sekund in si ga zapomnil. Ko je časovnik nastavljen, za preverjanje preostalega časa pritisnite gumb časovnika (C). Naprava se bo samodejno izklopila po preteku nastavljenega časa. Če želite ponastaviti funkcijo časovnika, morate nenehno pritisniti gumb časovnika (C), medtem ko časovna vrednost utripa, časovna vrednost se bo spremenila na nič. Razpon časovnika je od 1 do 24 ur z 1-urnim intervalom.

Preverjanje sobne temperature

Če želite preveriti trenutno sobno temperaturo, pritisnite gumb Plus za nekaj sekund, ko se bo vrednost prikazala na digitalnem LED zaslonu (S), hkrati pa se bo prikazal indikator temperature (N).

Preverjanje vlažnosti prostora

Če želite preveriti trenutno vlažnost v prostoru, pogledjte vrednost, prikazano na digitalnem LED zaslonu (S) ali pogledjte vrednost, prikazano na sprednjem digitalnem zaslonu (12), hkrati pa bo indikator vlažnosti (O) zasvetil na krmilniku. plošča (1). Ko trenutna vlažnost v prostoru doseže nastavljeno relativno vlažnost, bo indikator ciljne vlažnosti (P) zasvetil.

Znova pritisnite stikalo za vklop (A), da izklopite napravo, naprava preneha delovati, samo indikator vklopa (R) bo utripal, da vas obvesti, da je naprava v stanju pripravljenosti. Ko je naprava vklopljena. Indikator napajanja (R) sveti.

Praznjenje rezervoarja za vodo

1. Če je rezervoar za vodo (3) poln ali rezervoar za vodo (3) ni nameščen v pravilnem položaju, na nadzorni plošči (1) zasveti indikator polnega rezervoarja za vodo (Q), oglasi se brenčalo. Naprava bo samodejno ustavila delovanje.
2. Ko indikatorska lučka za poln rezervoar za vodo (Q) utripa, naprava preneha delovati, dokler rezervoar za vodo ni prazen ali nastavljen v pravilnem položaju.
3. Za odstranitev rezervoarja za vodo (3) nežno povlecite rezervoar za vodo proti sebi, tako da držite konkavne dele rezervoarja za

vodo. Poglej sliko 3.

4. Rezervoar za vodo (3) izpraznite tako, da ga nosite z ročajem, nato ga nagnite, kot je prikazano na sliki 4, in počasi izpustite vodo. Nato položite ročaj, preden nežno potisnete rezervoar (3) nazaj v prejšnji položaj znotraj ohišja.

5. Občasno je treba rezervoar za vodo (6) očistiti v notranjosti. Če želite odpreti rezervoar za vodo (3), prilagodite položaj ročaja rezervoarja za vodo v obliki lukenj v dveh plastičnih delih, na katera je sestavljen ročaj, in nežno razširite oba robova ročaja, da popolnoma razstavite ročaj. Zdaj lahko odprete pokrov rezervoarja za vodo in očistite rezervoar za vodo z vodo z milom za pomivanje posode in mehko krpo. Ne razstavlajte ali dvigujte plovc (6) z rezervoarja za vodo (3). Poglej sliko

Brenčalo

Zasliši se 20 sekund, ko med delovanjem vzamete rezervoar za vodo (3).

Čiščenje in vzdrževanje

1. Pred začetkom kakršnega koli čiščenja ali drugega rednega vzdrževanja izklopite napravo in izključite napajalni vtič.

2. Da bi se izognili nevarnosti električnega udara, med čiščenjem razvlaževalnika nikoli ne poškopite ali polijte z vodo.

3. Preden napravo premaknete, izklopite napravo in izpraznite vodo iz rezervoarja za vodo. Med premikanjem obvezno držite ročaj.

4. Ohišje naprave obrišite z moko in mehko krpo.

5. Ne razstavlajte plovc (6) iz rezervoarja za vodo (3).

6. Pred načrtovanim dolgotrajnim neprekinjenim obratovanjem je potrebno redno preverjanje zlasti mrežastega zračnega filtra (8), filtra z aktivnim ogljem (11) in odtočne cevi (13) ali podobno.

7. Za čiščenje ali zamenjavo filtrov:

- odklopite vtič in odstranite rezervoar za vodo (3)

- odstranite ohišje filtra (9), kot je prikazano na sliki 5

- odstranite mrežasti zračni filter (8) iz ohišja in nežno odstranite filter z aktivnim ogljem (11)

- izvlecite HEPA filter (7) iz naprave

- vsaka dva tedna očistite vse tri filtre s sesalnikom ali jih rahlo popivnjajte, da jih stresete ven. Učinkovitost razvlaževanja se lahko zmanjša, če so filtri zamašeni z umazanijo

- filtre namestite nazaj in ponovno sestavite ohišje filtra (9).

Če so filtri resno umazani, jih operite z vodo, vključno z nevtralnimi detergentom, dobro sperite z vodo in pustite, dokler se ne posušijo.

8. Naprave ne čistite z bencinom, razredčilom ali tekočim detergentom.

9. Pred daljšim shranjevanjem: zvijte napajalni kabel, izpraznite rezervoar za vodo in ga obrišite z mehko krpo, očistite in posušite vse filtre. Napravo postavite pokonci, da se izognete okvaram ali nenormalnemu zvoku v prihodnje, izogibajte se neposredni sončni svetlobi.

Odpravljanje težav: preverite spodnji seznam, preden stopite v stik s prodajalcem:

1. Težava: brez delovanja

Točka preverjanja 1: preverite, ali je napajalni vtič izključen.

1. rešitev: vtič popolnoma in varno vstavite v električno vtičnico

Kontrolna točka 2: preverite, ali je rezervoar za vodo poln vode

Rešitev 2: Izpraznite vodo iz rezervoarja .

Kontrolna točka 3: preverite, ali posoda za vodo ni pravilno nastavljena .

Rešitev 3: Nastavite rezervoar za napravo v pravilnem položaju

Kontrolna točka 4: preverite, ali je zgornji pokrov iz črne plastike odprtine za izpust zraka zaprt

Rešitev 4: odprite zgornji pokrov

2. Težava: zmogljivost razvlaževalnika je majhna

Kontrolna točka 1: preverite, ali so filtri umazani

Rešitev 1: Očistite filtre, kot je navedeno v poglavju Čiščenje in vzdrževanje v točki 7

Kontrolna točka 2: preverite, ali so zračne odprtine zamašene

2. rešitev: odstranite ovire iz zračnih odprtin

Kontrolna točka 3: preverite, ali je razvlaževalec v načinu kroženja zraka

Rešitev 3: Spremenite način delovanja v način razvlaževanja

3. Težava: glasen zvok med delovanjem

Točka preverjanja 1: preverite, ali je naprava pravilno nameščena

1. rešitev: Napravo namestite na ravna in stabilna tla

4. Težava: oprane krpe se ne posušijo

Točka preverjanja 1: preverite, ali oprana oblačila niso izpostavljena zraku iz naprave

1. rešitev: Oprana oblačila poskusite izpostaviti zračnemu toku

Kontrolna točka 2: preverite, ali je sobna temperatura prenizka

Rešitev 2: Oprana oblačila je težko sušiti pri nizkih temperaturah

Naprava deluje pravilno, ko pride do naslednjega pojava:

1. Opis pojava: Delovanje se občasno ustavi

Vzrok pojava: Naprava se odmrzuje

2. Opis pojava: Razvlažena prostornina je majhna

Vzrok pojava: Nižja prostornina razvlaževalnika, ko je sobna temperatura nizka.

3. Opis pojava: Vlažnost v prostoru je še vedno visoka

Vzrok pojava: Velikost sobe je morda prevelika . Vrata ali okna prostora se lahko odpirajo in / ali zapirajo pogosto . Razvlaževalec se uporablja v bližini grelnika na kerozin, ki oddaja paro .

4. Opis pojava: Slab vonj med delovanjem

Vzrok pojava: Iz sten , pohištva ali drugih predmetov se oddaja vonj .

5. Opis pojava: zvok se proizvaja v napravi

Vzrok pojava: Kroženje hladilnega sredstva lahko povzroči zvok, dokler se ne ustali .

6. Opis pojava: Voda je ostala v rezervoarju za vodo

Vzrok pojava: Voda je ostala, ker je naprava v tovarni podvržena preskusu razvlaževanja

7. Opis pojava: Zaslíši se brenčalo

Vzrok pojava: Brenčalo se oglasi, ko je rezervoar za vodo poln vode .

POZOR: Hladilno sredstvo lahko napolni samo tovarna.

TEHNIČNI PODATKI:

Zmogljivost razvlaževanja pri 30 °C / 80 % RH): 25 litrov / 24 ur

Zmogljivost razvlaževanja pri 27 °C / 60 % RH): 13 litrov / 24 ur

Raven hrupa: <= 48dB (A)

Prostornina rezervoarja za vodo: 6,5 litra

Pretok zraka: 195 m³ / uro

Teža hladilne tekočine R290: maks. 65 gramov

Nazivna vhodna moč: 320 W

maks. Nazivna vhodna moč: 420 W

Napajanje: 220-240V ~50Hz



Pozor, nevarnost požara

NE prebivatej in ne gorijte.

Bodite pozorni, da hladilno sredstvo morda ne vsebuje vonja.

Najvišja količina hladilnega sredstva: 65 g.



Starostljivost o životné prostredie. Kartónový obal odovzdajte do zberných surovín. Polyetylénové vrecká (PE) vyhodte do kontajnera na plast. Opatrebný spotrebič odovzdajte na príslušný zberný dvor, nebezpečné látky spotrebiča môžu predstavovať riziko pre životné prostredie. Elektrosprebič odstráňte tak, aby nedochádzalo j jeho ďalšiemu použitiu. Ak sa v spotrebiči nachádzajú batérie, vyberte ich odovzdajte ich na zberné miesto osobitne. Spotrebič nevyhadzujte do kontajnera na komunálny odpad!

ČESKY

OBEČNE BEZPEČNOSTNÍ PODMINKY

DŮLEŽITÉ BEZPEČNOSTNÍ POKYNY PŘEČTĚTE SI opatrně a uložte je pro budoucnost

1. Před použitím zařízení si přečtete návod k obsluze a postupujte podle pokynů v něm obsažených. Výrobce neodpovídá za škody způsobené používáním zařízení v rozporu s jeho určeným účelem nebo nesprávným provozem.
2. Zařízení je určeno pouze pro domácí použití. Nepoužívejte k jiným účelům, než k zamýšlenému účelu.
3. Zařízení by mělo být připojeno pouze k síťové zásuvce s uzemněným 220 240V ~50Hz. Pro zvýšení provozní bezpečnosti by nemělo být současně připojeno více elektrických zařízení na jeden proudový obvod.
4. Při používání zařízení v blízkosti dětí buďte velmi opatrní. Nedovolte dětem, aby si se zařízením hrály, nedovolte dětem nebo osobám neznámým se zařízením, aby jej používaly.
5. **VAROVÁNÍ:** Toto zařízení mohou používat děti starší 8 let a lidé s omezenými fyzickými, smyslovými nebo mentálními schopnostmi nebo lidé, kteří nemají žádné zkušenosti nebo znalosti o vybavení, pokud se tak děje pod dohledem odpovědné

osoby. z důvodu jejich bezpečnosti nebo jim byly poskytnuty informace o bezpečném používání zařízení a jsou si vědomy nebezpečí jeho používání. Děti by si s tímto zařízením neměly hrát. Čištění a údržbu zařízení by neměly provádět děti, pokud nejsou starší 8 let a tyto činnosti jsou prováděny pod dohledem.

6. Po použití vždy odpojte napájecí zástrčku tak, že budete držet zásuvku rukou. **NEDOTÝKEJTE** se napájecího kabelu.

7. Kabel, zástrčku a celé zařízení neponořujte do vody ani jiné kapaliny. Nevystavujte zařízení povětrnostním vlivům (děšť, slunce atd.) Ani je nepoužívejte v podmínkách vysoké vlhkosti (koupelny, vlhké mobilní domy).

8. Pravidelně kontrolujte stav napájecího kabelu. Pokud je napájecí kabel poškozen, měl by být vyměněn v odborném servisu, aby nedošlo k nebezpečí.

9. Nepoužívejte spotřebič s poškozeným napájecím kabelem nebo pokud spadl nebo je poškozen jiným způsobem nebo pokud nefunguje správně. Neopravujte zařízení sami, mohlo by dojít k úrazu elektrickým proudem. Poškozené zařízení odнесите do příslušného servisního střediska ke kontrole nebo opravě. Veškeré opravy smí provádět pouze autorizovaný servis. Nesprávně provedené opravy mohou pro uživatele představovat vážné nebezpečí.

10. Umístěte zařízení na chladný, stabilní povrch, mimo horké kuchyňské spotřebiče, jako jsou: elektrický sporák, plynový hořák atd.

11. Ujistěte se, že nic neblokuje přívod a odvod vzduchu ze zařízení

12. Používejte zařízení pouze na rovném povrchu, aby se zabránilo úniku kondenzátu

13. Pro zajištění dodatečné ochrany je vhodné do elektrického obvodu nainstalovat zařízení na proudový chránič (RCD) s jmenovitým zbytkovým proudem nepřesahujícím 30 mA. Požádejte o to elektrikáře.

14. Pravidelně čistěte vzduchový filtr. Četnost čištění závisí na čistotě vzduchu.

15. Po vypnutí zařízení vyčkejte alespoň 5 minut, než jej znovu zapnete.

16. Za účinně razvlaževanje je treba med stranskimi stenami naprav in stisnjenim pohlštvo ali zavesami uporabiti najmanj 20 cm reže.

17. Sušilnika ne razpršite, da preprečite nevarnost požara ali eksplozije

18. Za uporabo delov ohišja ne odlagajte vlažilcev v bližini grelnih naprav.

19. Odstranite vodo, zbrano v rezervoarju. Nenamerno pitje vode ali uporaba z drugimi ljudmi lahko povzroči bolezen.

20. Ne podpira naprav z odstranjenim zadnjim pokrovom zaradi premikajočih in vročih delov.

21. Za odtajevanje ali obratovanje ne uporabljajte drugih sredstev, razen tistih, ki jih priporoča proizvajalec.

22. Naprava mora biti na voljo kot del stalnega seznama virov vžiga, tj brez odprtega plamena, brez delujoče plinske naprave ali brez delujočega grelnika naprave.

23. Ne prebijajte in ne kadite.

24. Upoštevajte, da proizvajalci hladilnikov morda ne vsebujejo dišav.

Před prvo uporabo:

1. Razvlaževalnik zraka je treba uporabljati na ravni in stabilni površini, vzdrževati razdalje med enoto in drugimi predmeti v skladu s sliko 1, da zagotovite primerno učinkovitost. Zaprite vsa okna in vrata sobe, ki jo želite razvlažiti.
2. Za preprečitev zmrzovanja vode ne uporabljajte razvlaževalnika in odtočne cevi pri sobni temperaturi pod 0 ° C
3. Ne uporabljajte vlažilnika zunaj. Izpostavljenost neposredni sončni svetlobi ali dežju lahko povzroči pregrevanje, električni udar in požar.
4. Ne postavljajte rezervoarja za vodo na razvlaževalnik, da ne bi prišlo do razlivanja vode v enoto znotraj in poslabša izolacijo.
5. Nikoli ne poskušajte uporabljati razvlaževalnika zraka za posebne namene, kot je razvlaževanje hrane ali ohranjanje umetniških predmetov ali podobno.
6. Ne uporabljajte razvlaževalnika zraka, kjer lahko pride do uhajanja olja ali vnetljivega plina. Ne uporabljajte enote na mestih, ki so izpostavljene kemikalijam.
7. Za stalno izpraznitev poskrbite, da je odtočna cev pravilno nastavljena z naklonom.
8. Pazite, da grelna naprava ne bo izpostavljena vetru iz razvlaževalnika.
9. Ne uporabljajte razvlaževalnika zraka kot stola ali stopala.
10. Ne odstranjujte ročice s plovcem iz rezervoarja za vodo.
11. Ne blokirajte dovodov in odprtín za dovod zraka.
12. Enote ne prekrivajte z opranimi oblačili.

Popis produktu: AD7863 2v1 odvlhčovač vzduchu a čistička vzduchu

- | | |
|---|--|
| 1. Ovládací panel | 2. Přívod vzduchu |
| 3. Nádrž na vodu 6,5L | 4. Výstup vzduchu |
| 5. Rukojeť | 6. Plovák |
| 7. HEPA vzduchový filtr | 8. Omyvatelný síťový vzduchový předfiltr |
| 9. Pouzdro filtru | 10. Kontrolka vlhkosti |
| 11. Filtr s aktivním uhlím | 12. Přední digitální displej |
| 13. Otvor pro trubku k průběžnému odtoku vody | |

Ovládací panel (1):

- | | |
|---|---|
| A. Vypínač | B. Tlačítka plus a minus |
| C. Tlačítko časovače 0-24 hodin | D. Tlačítko rychlosti ventilátoru |
| E. Tlačítko režimu | F. Indikátor režimu sušení prádla |
| G. Indikátor normálního provozního režimu | H. Indikátor režimu cirkulace vzduchu |
| I. Indikátor automatického režimu | J. Indikace samoodmrazování zařízení |
| K. Indikátor vysokých otáček ventilátoru | L. Indikátor nízkých otáček ventilátoru |
| M. Indikátor časovače | N. Indikátor teploty |
| O. Indikátor vlhkosti | P. Indikátor cílové vlhkosti |
| Q. Indikátor plné nádrže na vodu | R. Indikátor napájení |
| S. LED digitální displej vlhkosti a časovače a pokojové teploty | |

PODMÍNKY POUŽÍVÁNÍ

Tento odvlhčovač není vhodný pro udržování velmi nízké vlhkosti přibližně 50 % nebo méně .

Tento odvlhčovač je určen k odstranění nepříjemné vlhkosti v každodenním životě a k použití pro pomocné sušení vypraného prádla v interiéru . To není vhodné pro udržování velmi nízké vlhkosti .

Je normální, že zařízení během provozu produkuje teplo a teplota v místnosti stoupne o 1C až 4C, protože toto zařízení nemá funkci chlazení . Teplota se zvyšuje při provozu ve skříni nebo podobně . Kromě toho se teplota v místnosti zvyšuje , protože dveře a okna jsou zavřena a teplo je produkováno jinými spotřebiči v místnosti a slunečním zářením . Tento odvlhčovač nelze použít pro udržování extrémně nízké teploty. Funkci tohoto odvlhčovače je odčerpát nepříjemnou vysokou vlhkost.

FUNKCE SAMOODMRAZOVÁNÍ ZAŘÍZENÍ

Když se námraza vytvoří na spirálách výparníku uvnitř zařízení, spustí se funkce automatického odmrazování. The kompresor se vypne a ventilátor poběží, dokud námraza neodstraní. Když zařízení běží při pokojové teplotě mezi 5 stupni Celsia a 12 stupni Celsia se každých 8 minut na přibližně 3 minuty zastaví a odmrazí. Když zařízení běží při pokojové teplotě mezi 12 stupně Celsia a 18 stupně Celsia , přestane asi na dobu odmrazovat 5 minut každých 25 minut. Když zařízení běží při pokojové teplotě mezi 18 stupni Celsia a 23 stupně Celsia každých 120 minut se na přibližně 5 minut zastaví a rozmrazí. Před obnovením provozu počkejte 3 minuty. Po zastavení kompresoru nemůže znovu spustit provoz dokud neuplynou 3 minuty. Indikátor (J) na ovládacím panelu (1) svítí po celou dobu, kdy je samoodmrazování aktivní.

DŮLEŽITÉ !

Během odmrazování se zastaví jak funkce odvlhčování, tak funkce čištění vzduchu .

Během odmrazování neodpojujte zástrčku zařízení ani nevypínejte zařízení .

Odvlhčovací kapacita

1. Denní odvlhčovací výkon odvlhčovače závisí na pokojové teplotě a relativní vlhkosti. Při různých teplotách a relativní vlhkosti může mít různou odvlhčovací kapacitu.
2. Při stejné pokojové teplotě je odvlhčovací výkon vyšší při vyšší relativní vlhkosti a odvlhčovací výkon je nižší při nižší relativní vlhkosti. Při stejné relativní vlhkosti je odvlhčovací výkon vyšší při vyšší teplotě a odvlhčovací výkon nižší při nižší teplotě.
3. Pokud je odvlhčovač umístěn ve skříni, jeho odvlhčovací kapacita se může během krátké doby po provozu výrazně snížit, protože vlhkost ve skříni byla značně snížena.
4. Pro 30 °C / 27 °C pokojové teploty a 80 % / 60 % relativní vlhkosti je kapacita odvlhčování přibližně 25 / 13 litrů vody při plně otevřeném výstupu vzduchu.

Systém čištění vzduchu - 3-stupňová filtrace

Systém je navržen tak, aby odstranil částice znečišťujících látek a pachy ve vzduchu. Zařízení obsahuje následující filtry:

1. Omyvatelný síťový vzduchový předfiltr (8): použijte k filtraci prachu a vlasů ve vzduchu.
2. Filtr s aktivním uhlím: odstraňuje zápach způsobený např. cigaretou, domácím mazlíčkem atd..
3. HEPA filtr H13: Filtruje prach, znečišťující částice a osvěžuje vzduch. Filtr HEPA H13 účinně zadrží 99,95 % částic škodlivin o velikosti do 0,3 mikronu v proudícím vzduchu. HEPA filtr H13 je vhodný pro čištění vzduchu pro alergie.

Úkon

1. Umístěte zařízení svisle, abyste zabránili chybnému ovládání a neobvyklému zvuku. Udržujte vzdálenosti mezi ostatními objekty, jak je znázorněno na obrázku 1.
2. HEPA filtr (7) je zabalen v sáčku, před použitím jej prosím vyjměte.
3. Otevřete černé víko na horní straně zařízení, aby mohl vzduch snadno vycházet.
4. Zapojte zařízení, vypínač (A) na ovládacím panelu (1) bliká, jeho stisknutím zařízení zapnete. Digitální displej (S) zobrazí aktuální úroveň vlhkosti v místnosti. Současně se na přední horní hraně zařízení rozsvítí kontrolka vlhkosti (10).

Během provozu kontrolka vlhkosti ukazuje aktuální úroveň vlhkosti v místnosti:

- Modrá barva znamená nízkou vlhkost pod 50 % relativní vlhkosti
- Zelená barva znamená střední vlhkost v rozmezí 51% - 69% relativní vlhkosti
- Červená barva znamená vysokou vlhkost nad 70 % relativní vlhkosti

Vezměte prosím na vědomí, že hodnota relativní vlhkosti má toleranci 3 %, když se rozsvítí odpovídající kontrolka.

5. Opakovaným stisknutím tlačítka režimu (E) vyberte požadovaný provozní režim mezi:

- Režim sušení prádla – stiskněte jednu tlačítka režimu (E), rozsvítí se kontrolka (F). Pro rychlé splnění funkce kompresor pracuje nepřetržitě bez zastavení, kromě případu, kdy je nádrž na vodu (3) plná. Ventilátor se neustále drží ve vysokých otáčkách.
- Normální provozní režim – stiskněte znovu tlačítka režimu (E), rozsvítí se kontrolka (G). Za normálního provozu kompresor funguje. Uživatel může nastavit cílovou úroveň vlhkosti stisknutím tlačítek plus a minus (3). Rozsah nastavení vlhkosti je: 30%-80% s krokem 5%. Když dosáhne cílové vlhkosti, kompresor přestane pracovat. Ventilátor lze nastavit na vysokou i nízkou rychlost podle vaší potřeby. Chcete-li zvolit rychlost ventilátoru mezi nízkou a vysokou, stiskněte tlačítka (D), rozsvítí se odpovídající indikátor (K) pro vysokou rychlost a (L) pro nízkou rychlost.
- Režim cirkulace vzduchu – stiskněte znovu tlačítka režimu (E), rozsvítí se kontrolka (H). V tomto režimu kompresor nepracuje, funguje pouze ventilátor. Rychlost ventilátoru můžete nastavit mezi: nízkou a vysokou rychlostí podle vašich potřeb.
- Automatický režim — stiskněte znovu tlačítka režimu (E), rozsvítí se kontrolka (I). V tomto režimu je výchozí cílová vlhkost 55 %. Když vlhkost v místnosti dosáhne 55%, kompresor přestane pracovat, ventilátor běží dál. Když je vlhkost v místnosti vyšší než 55 %, kompresor začne znovu pracovat.

V případě výpadku proudu má zařízení paměťovou funkci a dokáže si zapamatovat poslední nastavení.

Funkce kontinuálního odvodnění

1. Pokud potřebujete odvlhčit vzduch na delší dobu, můžete využít funkci průběžného odvodnění.
2. Před dlouhodobým nepřetržitým provozem je nutná pravidelná kontrola zejména vzduchového filtru, odpadního potrubí a podobně.
3. Vyjměte nádržku na vodu (3) z původní polohy, vložte připojenou trubku do otvoru pro plynulé vypouštění vody (13) zobrazeno na obrázku 5.
4. Když nastavíte cílovou vlhkost v normálním režimu odvlhčování, můžete nastavit: 30-35-40-45-50-55-60-65-70-75-80%-CO-30% a tak dále. „CO“ znamená nepřetržitý režim odvlhčování. V tomto režimu lze rychlost ventilátoru volit mezi nízkou nebo vysokou rychlostí.
5. Po ukončení průběžného odvlhčování rozeberte potrubí, umístěte nádržku na vodu (3) na původní místo a vypněte zařízení. Vypouštěcí hadice: délka: 30 cm, vnitřní průměr: 17 mm, vnější průměr: 19 mm.

Provoz časovače - funkce Delay Stop

Pro nastavení funkce Timer OFF - DELAY STOP použijte tlačítko časovače (C).

Funkci časovače vypnutí lze nastavit, když je zařízení v provozu. Stiskněte tlačítko časovače (C), indikátor časovače (M) se rozsvítí. LED digitální displej (S) se rozsvítí a objeví se „00“, měli byste stisknout tlačítka plus nebo minus (B) pro výběr požadovaného času pro vypnutí zařízení. Po nastavení časovače se čas zobrazí na 5 sekund a zapamatuje si jej. Jakmile je časovač nastaven, pro kontrolu zbývajících času stiskněte tlačítko časovače (C). Po uplynutí nastaveného času se zařízení automaticky vypne. Pro resetování funkce časovače je potřeba kontinuálně mačkat tlačítko časovače (C), zatímco hodnota času bliká, hodnota času se změní na nulu. Rozsah časovače je od 1 do 24 hodin s intervalem 1 hodiny.

Kontrola pokojové teploty

Pro kontrolu aktuální pokojové teploty stiskněte na několik sekund tlačítko Plus, kdy se hodnota zobrazí na LED digitálním displeji (S), současně se zobrazí indikátor teploty (N).

Kontrola vlhkosti v místnosti

Chcete-li zkontrolovat aktuální vlhkost v místnosti, podívejte se na hodnotu zobrazenou na digitálním LED displeji (S) nebo se podívejte na hodnotu zobrazenou na předním digitálním displeji (12), současně se na ovladači rozsvítí indikátor vlhkosti (O). panel (1). Když aktuální vlhkost v místnosti dosáhne nastavené relativní vlhkosti, rozsvítí se indikátor cílové vlhkosti (P).

Dalším stisknutím hlavního vypínače (A) vypnete zařízení, zařízení přestane běžet, pouze bude blikat indikátor napájení (R), který informuje, že zařízení je v pohotovostním režimu. Když je zařízení zapnuté. Indikátor napájení (R) svítí.

Vyprázdnění nádrže na vodu

1. Pokud je nádrž na vodu (3) plná nebo nádržka na vodu (3) není nainstalována ve správné poloze, rozsvítí se na ovládacím panelu (1) indikace plné nádrže na vodu (Q) a ozve se bzučák. Zařízení automaticky zastaví provoz.
2. Když kontrolka plné nádrže na vodu (Q) bliká, zařízení zastaví provoz, dokud není nádržka na vodu prázdná nebo nastavená do správné polohy.
3. Chcete-li vyjmout nádržku na vodu (3), vytáhněte nádržku na vodu jemně směrem k sobě tak, že budete držet vyduté části nádržky na vodu. Podívejte se na obrázek 3.
4. Chcete-li vyprázdnit nádržku na vodu (3), použijte rukojeť k jejímu přenašení, poté ji nakloňte, jak je znázorněno na obrázku 4, a pomalu vypusťte vodu. Poté byste měli položit rukojeť naplocho, než jemně zatlačíte nádrž (3) zpět do její předchozí polohy uvnitř krytu.
5. Čas od času je třeba nádržku na vodu (6) uvnitř vyčistit. Chcete-li otevřít nádržku na vodu (3), upravte polohu rukojeti nádržky na vodu do tvaru otvorů ve dvou plastových částech, ke kterým je rukojeť namontována, a jemně roztáhněte oba okraje rukojeti, abyste rukojeť úplně rozebrali. Nyní můžete otevřít víko nádržky na vodu a vyčistit nádržku vodou s mycím prostředkem a měkkým hadříkem. Nedemontujte ani nezvedejte plovák (6) z vodní nádrže (3). Podívejte se na obrázek

Bzučák

Když je nádržka na vodu (3) během provozu vyjmuta, zazní 20 sekund.

Čištění a údržba

1. Před zahájením jakéhokoli čištění nebo jiné běžné údržby vypnete zařízení a odpojte napájecí kabel.
 2. Abyste předešli riziku úrazu elektrickým proudem, nikdy při čištění odvlhčovač nekropte ani nelijte na něj vodu.
 3. Před přemístěním zařízení vypnete a vypusťte vodu z nádržky na vodu. Při pohybu se ujistěte, že držíte rukojeť.
 4. Otrete kryt zařízení vlhkým a měkkým hadříkem.
 5. Nedemontujte plovák (6) z vodní nádrže (3).
 6. Před plánovaným nepřetržitým provozem na dlouhou dobu je nutná pravidelná kontrola zejména u síťového vzduchového filtru (8), filtru s aktivním uhlím (11) a odtokové trubky (13) a podobně.
 7. Čištění nebo výměna filtrů:
 - odpojte zástrčku a vyjměte nádržku na vodu (3)
 - vyjměte pouzdro filtru (9), jak je znázorněno na obrázku 5
 - vyjměte síťový vzduchový filtr (8) z pouzdra a jemně vyjměte filtr s aktivním uhlím (11)
 - vytáhněte HEPA filtr (7) ze zařízení
 - každé dva týdny vyčistíte všechny tři filtry vysavačem nebo je lehce poklepejte, abyste je vytřepali. Výkon odvlhčování se může snížit, pokud jsou filtry ucpané nečistotami
 - vraťte filtry zpět a znovu namontujte pouzdro filtru (9).
- Pokud jsou filtry silně znečištěné, vyperte je ve vodě včetně neutrálního čisticího prostředku, dobře opláchněte vodou a nechte uschnout.
8. Zařízení nečistěte benzinem, ředidlem nebo tekutým čisticím prostředkem.
 9. Před delším skladováním: svažte napájecí kabel, vyprázdněte nádržku na vodu a otřete ji měkkým hadříkem, vyčistěte a vysušte všechny filtry. Postavte zařízení ve vzpřímené poloze, abyste v budoucnu zabránili chybné funkci nebo abnormálnímu zvuku, nevystavujte se přímému slunečnímu záření.

Odstaňování problémů: před kontaktováním prodejce zkontrolujte níže uvedený seznam:

1. Problém: Žádná operace

Kontrolní bod 1: podívejte se, zda není odpojená zástrčka.

Řešení 1: úplně a bezpečně zasuňte zástrčku do elektrické zásuvky

Kontrolní bod 2: zkontrolujte, zda je nádrž na vodu plná vody

Řešení 2: Vypustěte vodu z nádrže.

Kontrolní bod 3: zjistěte, zda není nádržka na vodu správně nastavena v poloze.

Řešení 3: Umístěte nádrž do zařízení správně na místo

Kontrolní bod 4: zkontrolujte, zda je zavřené horní víko z černého plastu výstupu vzduchu

Řešení 4: otevřete horní víko

2. Problém: kapacita odvlhčovače je malá

Kontrolní bod 1: zkontrolujte, zda nejsou filtry znečištěné

Řešení 1: Vyčistěte filtry, jak je uvedeno v kapitole Čištění a údržba v bodě 7

Kontrolní bod 2: zkontrolujte, zda nejsou ucpané vzduchové otvory

Řešení 2: odstraňte překážky ze vzduchových otvorů

Kontrolní bod 3: zkontrolujte, zda je odvlhčovač v režimu cirkulace vzduchu

Řešení 3: Změňte provozní režim na režim odvlhčování

3. Problém: hlasitý zvuk při provozu

Kontrolní bod 1: zkontrolujte, zda je zařízení správně nainstalováno

Řešení 1: Nainstalujte zařízení na rovnou a stabilní podlahu

4. Problém: vyprané utěrky nejsou vysušené

Kontrolní bod 1: podívejte se, zda vyprané prádlo není vystaveno vzduchu ze zařízení

Řešení 1: Pokuste se vystavit vyprané prádlo proudu vzduchu

Kontrolní bod 2: zkontrolujte, zda není teplota v místnosti příliš nízká

Řešení 2: Vyprané oblečení se obtížně suší za podmínek nízké teploty

Zařízení funguje správně, pokud dojde k následujícímu jevu:

1. Popis jevu: Provoz se občas zastaví

Příčina jevu: Zařízení se odmrazuje

2. Popis jevu: Odvlhčený objem je malý

Důvod jevu: Objem odvlhčovače je menší, když je pokojová teplota nízká.

3. Popis jevu: Vlhkost v místnosti je stále vysoká

Důvod jevu: Velikost místnosti může být příliš velká. Dveře nebo okna místnosti lze otevřít a / nebo zavřít často. Odvlhčovač se používá v blízkosti petrolejového ohřívače, který vydává páru.

4. Popis jevu: Zápach během provozu

Důvod jevu: Ze stěn, nábytku nebo jiných předmětů vychází zápach.

5. Popis jevu: V zařízení je produkován zvuk

Příčina jevu: Cirkulace chladiva může způsobit zvuk, dokud nebude stabilní.

6. Popis jevu: V nádrži na vodu zůstává voda

Důvod jevu: Voda zůstala, protože zařízení bylo v továrně podrobeno testu odvlhčování

7. Popis jevu: Zazní bzučák

Příčina jevu: Bzučák zazní, když je nádrž na vodu plná vody.

POZOR: Chladivo lze plnit pouze z výroby.

TECHNICKÁ DATA:

Kapacita odvlhčování při 30 °C / 80% RH): 25 litrů / 24 hodin

Kapacita odvlhčování při 27°C / 60% RH): 13 litrů / 24 hodin

Hladina hluku: <= 48 dB (A)

Objem nádržky na vodu: 6,5 litru

Průtok vzduchu: 195 m³ / hod

Hmotnost chladicí kapaliny R290: max. 65 gramů

Nomínový příkon: 320W

Max. Jmenovitý příkon: 420W

Napájení: 220-240V ~50Hz



Pozor, nebezpečí požáru.

NEPROPOUŠTĚTE ani nespalujte.

Uvědomte si, že chladivo nemusí obsahovat zápach.

Maximální množství náplně chladiva: 65 g.



Staráme se o životní prostředí. Papírové obaly odevzdávejte do sběrných surovin. Polyetylenová balení (PE) vhaďte do odpadkových košů na plasty. Použité zařízení odevzdávejte do sběrného dvoru, protože se v něm mohou nacházet části, které jsou pro životní prostředí škodlivé nebo nebezpečné. Elektrospotřebiče odevzdávejte v takové podobě, aby bylo znemožněno jejich další použití. Pokud se v zařízení nacházejí baterie, vyjměte je a odevzdejte zvlášť.

GENERELLE SIKKERHEDSBETINGELSER**VIGTIGE SIKKERHEDSINSTRUKTIONER LÆS PERSONLIG OG SPAR FOR FREMTID**

1. Før du bruger enheden, skal du læse betjeningsvejledningen og følge instruktionerne i den. Producenten er ikke ansvarlig for skader forårsaget af brug af enheden i modsætning til dets tilsigtede formål eller forkert betjening.
2. Enheden er kun til hjemmebrug. Brug ikke til andre formål, der ikke er beregnet til dets tilsigtede formål.
3. Enheden skal kun tilsluttes en stikkontakt med et jordet 220 240V ~ 50Hz. For at øge driftssikkerheden skal flere elektriske enheder ikke tilsluttes et strømkredsløb på samme tid.
4. Vær meget forsigtig, når du bruger enheden, når børn er i nærheden. Lad ikke børn lege med enheden, lad ikke børn eller personer, der ikke kender enheden, bruge den.
5. ADVARSEL: Dette udstyr kan bruges af børn over 8 år og personer med begrænset fysisk, sensorisk eller mental evne, eller personer, der ikke har erfaring eller viden om udstyret, hvis dette sker under opsyn af en ansvarlig person for deres sikkerhed eller har fået dem oplysninger om sikker brug af enheden og er opmærksomme på farerne ved at bruge det. Børn bør ikke lege med udstyret. Rengøring og vedligeholdelse af enheden bør ikke udføres af børn, medmindre de er over 8 år gamle, og disse aktiviteter udføres under opsyn.
6. Frakobl altid strømstikket ved at holde stikket med hånden efter brug. Træk IKKE i netledningen.
7. Sænk ikke kablet, stikket og hele enheden i vand eller anden væske. Udsæt ikke enheden for atmosfæriske forhold (regn, sol osv.) Eller brug under forhold med høj luftfugtighed (badeværelser, fugtige mobilhomes).
8. Kontroller periodisk strømkablets tilstand. Hvis strømkablet er beskadiget, skal det udskiftes af et specialværksted for at undgå fare.
9. Brug ikke apparatet med et beskadiget strømkabel, eller hvis det er faldet eller beskadiget på anden måde, eller hvis det ikke fungerer korrekt. Reparer ikke enheden selv, da der er risiko for elektrisk stød. Tag den beskadigede enhed til et passende servicecenter for kontrol eller reparation. Alle reparationer må kun udføres af autoriserede servicepunkter. Forkert udførte reparationer kan medføre alvorlig fare for brugeren.
10. Placer enheden på en kølig, stabil overflade væk fra varme køkkenapparater som: elektrisk komfur, gasbrænder osv.
11. Sørg for, at intet blokerer enhedens luftindtag og udløb
12. Brug kun enheden på en plan overflade for at forhindre, at kondensen spilder ud
13. For at yde yderligere beskyttelse tilrådes det at installere en reststrømsenhed (RCD) i det elektriske kredsløb med en nominel reststrøm på ikke over 30 mA. Spørg en

elektriker til dette.

14. Rengør luftfilteret regelmæssigt. Rengøringshyppigheden afhænger af luftens renhed.
15. Efter at have slukket for maskinen, skal du vente mindst 5 minutter, før du tænder den igen.
16. For effektiv affugtning skal der bruges et mellemrum på mindst 20 cm mellem apparatets sidevægge og de komprimerede møbler eller gardiner.
17. Sprøjt ikke tørretumbleren for at undgå risikoen for brand eller eksplosion
18. Anbring ikke affugteren i nærheden af varmeenheder for at bruge husdelene.
19. Fjern det opsamlede vand i tanken. Uheld ved at drikke vand eller bruge det sammen med andre mennesker kan forårsage sygdom.
20. Understøt ikke enheder med bagcoveret fjernet på grund af bevægelige og varme dele.
21. Brug ikke andre midler til at udføre optønings- eller driftsprocessen bortset fra dem, der er anbefalet af producenten.
22. Enheden skal være tilgængelig som en del af en permanent liste over antændelseskilder, dvs. uden åben ild, uden en arbejdsgasanordning eller uden en arbejdsenhedsvarmer.
23. Må ikke gennemføre eller ryge.
24. Bemærk, at køleproducenter muligvis ikke indeholder duft.

Før første brug:

1. Affugteren skal bruges på en jævn og stabil overflade, hold afstand mellem enhed og andre genstande i henhold til billede 1 for at sikre passende effektivitet. Luk alle vinduer og døre i det rum, du vil affugte luften.
2. Brug ikke affugter og dræningsslange ved omgivelsestemperatur under 0 ° C for at forhindre, at vandet fryser.
3. Brug ikke affugter udenfor. Udsættelse for direkte sollys eller regn kan resultere i overophedning, elektrisk stød og brand.
4. Læg ikke vandbeholderen på affugteren for at undgå spild af vand ind i enheden inde og forringe isoleringen.
5. Forsøg aldrig at bruge affugteren til speciel anvendelse, såsom affugtning til fødevarer eller konservering af kunstgenstande eller lignende.
6. Brug ikke affugter, hvor der kan finde lækage af olie eller brandfarlig gas. Brug ikke enheden på steder, der er udsat for kemikalier.
7. For kontinuerlig dræning skal du sørge for, at drænslangen er indstillet korrekt med. hældning.
8. Vær forsigtig, så et varmeapparat ikke udsættes for vinden fra affugteren.
9. Brug ikke affugteren som en stol eller en fodskammel.
10. Fjern ikke svævehåndtaget fra vandbeholderen.
11. Bloker ikke luftindtag og luftudtag.
12. Dæk ikke enheden med vasket tøj.

Produktbeskrivelse: AD7863 2in1 Luftaffugter & Luftrensere

- | | |
|---|--------------------------------|
| 1. Kontrolpanel | 2. Luftindtag |
| 3. Vandbeholder 6,5L | 4. Luftudtag |
| 5. Håndtag | 6. Flyder |
| 7. HEPA luftfilter | 8. Vaskbart mesh luftforfilter |
| 9. Filterhus | 10. Fugtindikatorlys |
| 11. Aktivt kulfilter | 12. Digitalt display foran |
| 13. Hul for rør til kontinuerligt vandafløb | |

Kontrolpanel (1):

- | | |
|--------------------------|-----------------------------|
| A. Strømafbryder | B. Plus- og minusknapper |
| C. Timer 0-24 timer knap | D. Ventilatorhastighed knap |

- | | |
|---|---|
| E. Mode-knap | F. Tørt tøj-tilstandsindikator |
| G. Normal driftstilstandsindikator | H. Luftcirkulationstilstandsindikator |
| I. Indikator for automatisk tilstand | J. Indikation af selvafrimning af enheden |
| K. Blæser højhastighedsindikator | L. Blæser lavhastighedsindikator |
| M. Timer-indikator | N. Temperaturindikator |
| O. Fugtighedsindikator | P. Målfugtighedsindikator |
| Q. Indikator for fuld vandbeholder | R. Strømindikator |
| S. LED digital visning af fugtighed og timer og rumtemperatur | |

BETINGELSER FOR BRUG

Denne affugter er ikke egnet til at holde luftfugtigheden meget lav, ca. 50 % eller mindre .

Denne affugter er designet til at fjerne ubehagelig fugt i dagligdagen og til at bruge til ekstra tørring af vasket tøj indendørs . Dette er ikke egnet til at holde luftfugtigheden meget lav .

Det er normalt, at enheden producerer varme under driften, og rumtemperaturen stiger med 1C til 4C, fordi denne enhed ikke har kølefunktion . Temperaturen bliver højere, mens den betjenes i et skab eller lignende . Desuden stiger rumtemperaturen , fordi døre og vinduer lukkes, og der produceres varme fra andre apparater i rummet og solstrålingen . Denne affugter kan ikke bruges til at holde ekstrem lav temperatur. Funktionen af denne affugter er at pumpe den ubehagelige, høje luftfugtighed af.

ENHEDS SELVAFFRISTNINGSFUNKTION

Når frosten bygger sig op på fordamperspølerne inde i apparatet, startes den automatiske afrimningsfunktion. Det kompressoren slukker, og ventilatoren vil fortsætte med at køre, indtil frosten er fjernet. Når enheden kører i en rumtemperatur mellem 5 grader Celsius og 12 grader Celsius , vil den stoppe med at afrime i ca. 3 minutter hvert 8. minut. Når enheden kører i en rumtemperatur mellem 12 grader Celsius og 18 grad Celsius , vil den stoppe med at afrime i ca 5 minutter hvert 25. minut. Når enheden kører i en rumtemperatur mellem 18 grader Celsius og 23 grad af Celsius den stopper med at afrime i ca. 5 minutter hvert 120. minut. Vent 3 minutter, før du genoptager driften. Når kompressoren er stoppet, kan den ikke genstarte driften indtil der er gået 3 minutter.

Indikatoren (J) på betjeningspanelet (1) lyser, hele tiden selvafrimningen er aktiv.

VIGTIGT!

Både affugtningsfunktionen og luftrensningssystemet stopper under afrimningen .

Tag ikke stikket ud af enheden eller sluk for enheden under afrimningen .

Affugtningskapacitet

1. Affugterens daglige affugtningskapacitet afhænger af rumtemperatur og relativ luftfugtighed. Ved forskellige temperaturer og relativ luftfugtighed kan den have forskellig affugtningskapacitet.
2. I samme rumtemperatur er affugtningskapaciteten højere ved højere relativ luftfugtighed, og affugtningskapaciteten er lavere ved lavere relativ fugtighed. Ved samme relative luftfugtighed er affugtningskapaciteten højere ved højere temperatur, og affugtningskapaciteten er lavere ved lavere temperatur.
3. Hvis affugteren placeres i skabet, kan dens affugtningskapacitet reduceres kraftigt i løbet af kort tid efter drift på grund af fugtigheden i skabet er blevet stærkt reduceret.
4. For 30°C / 27°C rumtemperatur og 80% / 60% relativ luftfugtighed er affugtningskapaciteten henholdsvis omkring 25 /13 liter vand, når luftudtaget er helt åbent.

Luftrensningssystem - 3-trins filtrering

Systemet er designet til at fjerne forurenende partikler og lugte i luften. Enheden inkluderer følgende filtre:

1. Vaskbart mesh-luftfilter (8): Bruges til at filtrere støv og hår i luften.
2. Aktivt kulfilter: fjern en lugt forårsaget af f.eks. cigaret, kæledyr osv.
3. HEPA-filtre H13: Det filtrerer støv, forurenende partikler og oprisker luften. HEPA H13-filtret tilbageholder effektivt 99,95% af forurenende partikler med en størrelse på op til 0,3 mikron i den strømmende luft. HEPA H13 filter er velegnet til luftrensning for allergikere.

Operation

1. Anbring venligst enheden oprejst for at undgå fejlbetjening og usædvanlig lyd. Hold afstand mellem andre objekter som vist på billede 1.
2. HEPA-filtre (7) er pakket i polyposer. Fjern venligst polyposen før brug.
3. Åbn det sorte låg på toppen af enheden for at lade luften let komme ud.
4. Tilslut enheden, strømafbryderen (A) blinker på kontrolpanelet (1), tryk på den for at tænde for enheden. Det digitale display (S) viser det aktuelle luftfugtighedsniveau i rummet. Samtidig lyser fugtighedsindikatoren (10) på den forreste øverste kant af enheden. Under drift viser fugtindikatoren det aktuelle fugtniveau i rummet:
- Blå farve betyder lav luftfugtighed under 50 % relativ luftfugtighed

- Grøn farve betyder medium luftfugtighed i området 51% - 69% relativ luftfugtighed

- Rød farve betyder høj luftfugtighed over 70% relativ luftfugtighed

Bemærk venligst, at den relative luftfugtighedsværdi har en tolerance på 3 %, når det tilsvarende indikationslys lyser op.

5. Tryk på tilstandsknappen (E) i cyklus for at vælge den ønskede driftstilstand mellem:

- Tørt tøj-tilstand – tryk én gang på mode-knappen (E), indikatoren (F) vil lyse op. For at få hurtig funktionsopfyldelse arbejder kompressoren kontinuerligt uden stop, undtagen i tilfælde af at vandtanken (3) er fuld. Ventilatoren holder høj hastighed hele tiden.

- Normal driftstilstand – tryk på tilstandsknappen (E) igen, indikatoren (G) vil lyse op. Under normal drift fungerer kompressoren. Brugeren kan indstille det ønskede fugtighedsniveau ved at trykke på plus- og minusknapperne (3). Indstillet luftfugtighedsområde er: 30%-80% med 5% trin. Når målfugtigheden når, holder kompressoren op med at arbejde. Ventilatoren kan indstilles på både: høj og lav hastighed alt efter dit behov. For at vælge blæserhastigheden mellem lav og høj, tryk på knappen (D), tilsvarende indikator (K) for høj hastighed og (L) for lav hastighed vil lyse op.

- Luftcirkulationstilstand – tryk på funktionsknappen (E) igen, indikatoren (H) vil lyse op. I denne tilstand virker kompressoren ikke, der er kun blæserdrift. Du kan justere blæserens hastighed mellem: lav og høj hastighed til dine behov.

- Automatisk tilstand — tryk på tilstandsknappen (E) igen, indikatoren (I) vil lyse op. I denne tilstand er standardmålfugtigheden 55 %. Når rummets luftfugtighed når 55 %, holder kompressoren op med at fungere, blæseren fortsætter kun med at arbejde. Når rummets luftfugtighed er højere end 55 %, begynder kompressoren at arbejde igen.

I tilfælde af strømafbrydelse har enheden hukommelsesfunktion, og den kan huske den sidste opsætning.

Kontinuerlig drænfunktion

1. Hvis du har brug for at affugte luften i længere tid, kan du bruge den kontinuerlige drænfunktion.

2. Før kontinuerlig drift i lang tid, er periodisk kontrol påkrævet, især for luftrensefilteret, afløbsrøret eller lignende.

3. Fjern vandbeholderen (3) fra den oprindelige position, indsæt det fastgjorte rør på hullet til kontinuerlig vandafledning (13) vist på billede 5.

4. Når du indstiller målfugtighed under normal affugtningstilstand, kan du indstille: 30-35-40-45-50-55-60-65-70-75-80%-CO-30% og så videre. "CO" betyder kontinuerlig affugtningstilstand. I denne tilstand kan blæserhastigheden vælges mellem lav hastighed eller høj hastighed.

5. Efter at have afsluttet den kontinuerlige affugtning, adskilles røret, anbring vandbeholderen (3) på dets oprindelige sted og sluk for enheden.

Afløbsslange: længde: 30 cm, indvendig diameter: 17 mm, udvendig diameter: 19 mm.

Timerdrift - Forsinket stop funktion

For at indstille Timer OFF-funktionen - FORSINKET STOP brug timerknappen (C).

Timer-off-funktionen kan indstilles, når enheden er i drift. Tryk på Timer-knappen (C), timerindikationen (M) vil lyse op. LED-digitaldisplayet (S) lyser op, og "00" vises, du skal trykke på plus- eller minusknapperne (B) for at vælge det ønskede tidspunkt for enhedens slukning. Efter at timeren er indstillet, vil tiden blive vist i 5 sekunder og husk. Når timeren er indstillet, skal du trykke på timerknappen (C) for at kontrollere med venstre tid. Enheden slukker automatisk efter opsætningstiden. For at nulstille timerfunktionen er det nødvendigt at trykke på timerknappen (C), mens tidsværdien blinker, og tidsværdien ændres til nul.

Timerområdet er fra 1 til 24 timer med 1 times interval.

Kontrol af rumtemperatur

For at kontrollere den aktuelle rumtemperatur skal du trykke på Plus-knappen i nogle sekunder, når værdien vises på LED digitalt display (S), samtidig vil temperaturindikatoren (N) blive vist.

Kontrol af rummets fugtighed

For at kontrollere den aktuelle rumfugtighed, se på værdien vist af LED digitalt display (S) eller se på værdien vist af det forreste digitale display (12), samtidig lyser fugtighedsindikatoren (O) på styringspanel (1). Når den aktuelle rumfugtighed har nået den indstillede relative luftfugtighed, vil målfugtighedsindikatoren (P) lyse op.

Tryk på afbryderen (A) igen for at slukke for enheden, enheden holder op med at køre, bare strømindikatoren (R) vil blinke for at informere om, at enheden er i standby-status. Når enheden er tændt. Strømindikatoren (R) lyser.

Tømning af vandtanken

1. Hvis vandtanken (3) er fuld, eller vandtanken (3) ikke er installeret i korrekt position, lyser indikationen for fuld vandtank (Q) på kontrolpanelet (1), og summeren lyder. Enheden stopper automatisk driften.

2. Når indikatorlyset for fuld vandtank (Q) blinker, stopper enheden driften, indtil vandtanken er tom eller indstillet i den korrekte position.

3. For at fjerne vandtanken (3) skal du trække vandtanken forsigtigt mod dig ved at holde i de konkave dele af vandtanken. Se billede 3.

4. For at tømme vandtanken (3), brug et håndtag til at bære den, vip den derefter som vist på billede 4 og dræn vandet langsomt.

Derefter skal du lægge håndtaget fladt, før du forsigtigt skubber tanken (3) tilbage til dens tidligere position inde i huset.

5. Fra tid til anden skal vandtanken (6) renses den indvendigt. For at åbne vandbeholderen (3), skal du justere placeringen af vandbeholderens håndtag til formen af huller i to plastdele, som håndtaget er samlet til og udvide begge kanter af håndtaget forsigtigt for at adskille håndtaget helt væk. Nu kan du åbne vandbeholderens låg og rense vandbeholderen med vand med opvaskemiddel og en blød klud. Flyderen (6) må ikke skilles ad eller løftes fra vandbeholderen (3). Se på billedet

Summer

Den lyder i 20 sekunder, når vandbeholderen (3) tages ud under drift.

Rengøring og vedligeholdelse

1. Sluk for enheden, og tag strømstikket ud, før du starter rengøring eller anden rutinemæssig vedligeholdelse.

2. For at undgå risikoen for elektrisk stød må du aldrig drysse eller spilde vand på affugteren under rengøring.

3. Sluk for apparatet, og tøm vandet ud af vandbeholderen, før apparatet flyttes. Sørg for at holde i håndtaget, mens du bevæger dig.

4. Tør enhedens hus af med en våd og blød klud.

5. Afmonter ikke flyderen (6) fra vandtanken (3).

6. Forud for planlagt kontinuerlig drift i længere tid, er periodisk kontrol påkrævet, især for maskelufffilteret (8), aktivt kulfilter (11) og afløbsrøret (13) eller lignende.

7. Sådan rengøres eller udskiftes filtrene:

- tag stikket ud og tag vandbeholderen ud (3)

- fjern filterhuset (9) som vist i figur 5

- fjern netlufffilteret (8) fra huset og fjern forsigtigt det aktive kulfilter (11)

- træk HEPA-filteret (7) ud af enheden

- hver anden uge, rengør alle tre filtre med en støvsuger eller dup dem let for at ryste dem ud. Affugtningsydelsen kan falde, hvis filtrene er tilstoppet med snavs

- sæt filtrene tilbage og saml filterhuset (9) igen.

Hvis filtrene er alvorligt tilsmudsede, vask i vand inklusive neutralt rengøringsmiddel, skyl godt med vand og lad det tørre.

8. Rengør ikke enheden med benzin, fortynder eller flydende rengøringsmiddel.

9. For længere opbevaring: bundt netledningen, tøm vandtanken og tør den af med en blød klud, rengør og tør alle filtre. Stil enheden oprejst for at undgå funktionsfejl eller unormal lyd i fremtiden, undgå at blive udsat for direkte sollys.

Fejlfinding: tjek med nedenstående liste, før du kontakter sælgeren:

1. Problem: ingen betjening

Kontrolpunkt 1: se om strømstikket er taget ud.

Løsning 1: Sæt stikket helt og sikkert i en stikkontakt

Kontrolpunkt 2: se om vandtanken er fuld af vand

Løsning 2: Tøm vandet ud af tanken .

Kontrolpunkt 3: se om vandtanken ikke er indstillet korrekt på plads .

Løsning 3: Indstil tanken til enheden korrekt på plads

Kontrolpunkt 4: se om toplåget lavet af sort plastik af luftudtaget er lukket

Løsning 4: Åbn toplåget

2. Problem: Affugterens kapacitet er lille

Kontrolpunkt 1: se om filtrene er snavsede

Løsning 1: Rengør filtrene som specificeret i kapitel Rengøring og vedligeholdelse i punkt 7

Kontrolpunkt 2: se om luftåbningerne er blokeret

Løsning 2: Fjern forhindringer fra luftåbningerne

Kontrolpunkt 3: se om affugteren er i luftcirkulationstilstand

Løsning 3: Skift driftstilstand til affugtningsstilstand

3. Problem: høj lyd under drift

Kontrolpunkt 1: Kontroller, om enheden er installeret korrekt

Løsning 1: Installer enheden på et plant og stabilt gulv

4. Problem: vaskede klude tørres ikke

Kontrolpunkt 1: se om vasket tøj ikke udsættes for luften fra enheden

Løsning 1: Prøv at udsætte det vaskede tøj for luftstrømmen

Kontrolpunkt 2: se om rumtemperaturen er for lav

Løsning 2: Vasket tøj er svært at tørre under lave temperaturforhold

Enheden fungerer korrekt, når følgende fænomen opstår:

1. Fænomenbeskrivelse: Driften stopper af og til

Årsagen til fænomenet: Enheden er ved at afrime

2. Fænomenbeskrivelse: Affugtet volumen er lille

Årsagen til fænomenet: Affugtervolumen mindre, når rumtemperaturen er lav.

3. Fænomenbeskrivelse: Luftfugtigheden i et rum er stadig høj

Årsagen til fænomenet: Rumstørrelsen kan være for stor. Dørene eller vinduerne i rummet kan åbnes og / eller lukkes ofte. Affugteren bruges tæt på en petroleumsvarmer, som udsender damp.

4. Fænomenbeskrivelse: Dårlig lugt under drift

Årsagen til fænomenet: Lugt udsendes fra vægge, møbler eller andre genstande.

5. Fænomenbeskrivelse: Lyd produceres i enheden

Årsagen til fænomenet: Cirkulation af kølemidlet kan give lyd, indtil det er stabilt.

6. Fænomenbeskrivelse: Der er vand tilbage i vandtanken

Årsagen til fænomenet: Vandet er tilbage, fordi enheden er udsat for affugtningsstest på fabrikken

7. Fænomenbeskrivelse: Buzzeren lyder

Årsagen til fænomenet: Buzzeren lyder, når vandtanken er fuld af vand.

FORSIGTIG: Kølemiddel kan kun påfyldes af fabrikken.

TEKNISK DATA:

Affugtningskapacitet ved 30°C / 80% RH): 25 liter / 24 timer

Affugtningskapacitet ved 27°C / 60% RH): 13 liter / 24 timer

Støjniveau: ≤ 48dB (A)

Vandtankens kapacitet: 6,5 liter

Luftmængde: 195 m³/time

R290 kølevæskevægt: max. 65 gram

Nominel indgangseffekt: 320W

Maks. Nominel indgangseffekt: 420W

Strømforsyning: 220-240V ~50Hz



Forsigtig, risiko for brand.

Må IKKE gennembore eller brænde.

Vær opmærksom på, at kølemidlet muligvis ikke indeholder en lugt.

Den maksimale mængde kuldemedie: 65 g.



Af hensyn til miljøet ..

Venligst overfør papemballager til affaldspapir. Hæld polyethylenposer (PE) i plastbeholderen. Slidt enhed skal returneres til det relevante punkt opbevaring, fordi det er farligt i enheden ingredienser kan udgøre en trussel for miljøet. Den elektriske enhed skal overleveres for at begrænse dets genanvendelse og brug. Hvis i enheden der er batterier, fjern dem og vende tilbage til punktet opbevares separat.

ΕΛΛΑΔΑ

ΓΕΝΙΚΕΣ ΠΡΟΫΠΟΘΕΣΕΙΣ ΑΣΦΑΛΕΙΑΣ

ΣΗΜΑΝΤΙΚΕΣ ΟΔΗΓΙΕΣ ΑΣΦΑΛΕΙΑΣ ΔΙΑΒΑΣΤΕ ΠΡΟΣΕΚΤΙΚΑ ΚΑΙ ΦΥΛΑΞΤΕ ΓΙΑ ΜΕΛΛΟΝ

1. Πριν χρησιμοποιήσετε τη συσκευή, διαβάστε το εγχειρίδιο λειτουργίας και ακολουθήστε τις οδηγίες που περιέχει. Ο κατασκευαστής δεν ευθύνεται για ζημιές που προκλήθηκαν από τη χρήση της συσκευής σε αντίθεση με τον προορισμό ή την ακατάλληλη λειτουργία.
2. Η συσκευή προορίζεται μόνο για οικιακή χρήση. Μην χρησιμοποιείτε για άλλους σκοπούς που δεν είναι για τον προορισμό τους.
3. Η συσκευή πρέπει να συνδέεται μόνο σε πρίζα εναλλασσόμενου ρεύματος με γειωμένο 220 240V ~ 50Hz. Για να αυξήσετε την ασφάλεια λειτουργίας, πολλές ηλεκτρικές συσκευές δεν πρέπει να συνδέονται ταυτόχρονα σε ένα κύκλωμα ρεύματος.
4. Να είστε ιδιαίτερα προσεκτικοί όταν χρησιμοποιείτε τη συσκευή όταν τα παιδιά βρίσκονται κοντά. Μην επιτρέπετε στα παιδιά να παίζουν με τη συσκευή, μην επιτρέπετε σε παιδιά ή άτομα που δεν είναι εξοικειωμένα με τη συσκευή να τα χρησιμοποιούν.
5. ΠΡΟΕΙΔΟΠΟΙΗΣΗ: Αυτός ο εξοπλισμός μπορεί να χρησιμοποιηθεί από παιδιά ηλικίας άνω των 8 ετών και άτομα με περιορισμένη σωματική, αισθητηριακή ή νοητική

ικανότητα ή άτομα που δεν έχουν εμπειρία ή γνώση του εξοπλισμού, εάν αυτό γίνεται υπό την επίβλεψη υπεύθυνου προσώπου για την ασφάλειά τους ή έχουν λάβει πληροφορίες για την ασφαλή χρήση της συσκευής και γνωρίζουν τους κινδύνους από τη χρήση της. Τα παιδιά δεν πρέπει να παίζουν με τον εξοπλισμό. Ο καθαρισμός και η συντήρηση της συσκευής δεν πρέπει να εκτελούνται από παιδιά, εκτός αν είναι άνω των 8 ετών και οι δραστηριότητες αυτές εκτελούνται υπό επίβλεψη.

6. Πάντοτε αποσυνδέετε το φισ από την πρίζα κρατώντας την υποδοχή με το χέρι σας μετά τη χρήση. ΜΗΝ τραβάτε το καλώδιο τροφοδοσίας.

7. Μη βυθίζετε το καλώδιο, το βύσμα και ολόκληρη τη συσκευή σε νερό ή άλλο υγρό. Μην εκθέτετε τη συσκευή σε ατμοσφαιρικές συνθήκες (βροχή, ήλιο, κ.λπ.) ή σε συνθήκες υψηλής υγρασίας (μπάνια, υγροί κινητοί οικισμοί).

8. Ελέγχετε περιοδικά την κατάσταση του καλωδίου τροφοδοσίας. Εάν το καλώδιο τροφοδοσίας είναι κατεστραμμένο, πρέπει να αντικατασταθεί από ειδικό κατάστημα επισκευής για να αποφευχθεί ο κίνδυνος.

9. Μην χρησιμοποιείτε τη συσκευή με φθαρμένο καλώδιο τροφοδοσίας ή εάν έχει πέσει ή έχει υποστεί ζημιά με οποιοδήποτε άλλο τρόπο ή εάν δεν λειτουργεί σωστά. Μην επισκευάζετε τη συσκευή σας μόνοι σας, καθώς υπάρχει κίνδυνος ηλεκτροπληξίας. Πάρτε την κατεστραμμένη συσκευή σε κατάλληλο κέντρο σέρβις για έλεγχο ή επισκευή. Όλες οι επισκευές πρέπει να εκτελούνται μόνο από εξουσιοδοτημένα σημεία εξυπηρέτησης. Οι εσφαλμένες επισκευές μπορούν να προκαλέσουν σοβαρό κίνδυνο για τον χρήστη.

10. Τοποθετήστε τη συσκευή σε δροσερή, σταθερή επιφάνεια, μακριά από θερμές συσκευές κουζίνας όπως: ηλεκτρική κουζίνα, καυστήρα αερίου κλπ.

11. Βεβαιωθείτε ότι τίποτα δεν εμποδίζει την είσοδο και την έξοδο αέρα της συσκευής

12. Χρησιμοποιείτε τη συσκευή μόνο σε επίπεδη επιφάνεια για να αποφύγετε τη διαρροή της συμπύκνωσης

13. Για την παροχή πρόσθετης προστασίας, συνιστάται η τοποθέτηση συσκευής υπολειπόμενου ρεύματος (RCD) στο ηλεκτρικό κύκλωμα με ονομαστικό υπολειπόμενο ρεύμα που δεν υπερβαίνει τα 30mA. Ρωτήστε έναν ηλεκτρολόγο για αυτό.

14. Καθαρίζετε τακτικά το φίλτρο αέρα. Η συχνότητα καθαρισμού εξαρτάται από την καθαριότητα του αέρα.

15. Αφού απενεργοποιήσετε τη συσκευή, περιμένετε τουλάχιστον 5 λεπτά πριν ενεργοποιήσετε ξανά.

16. Για αποτελεσματική αφύγρανση, πρέπει να χρησιμοποιείται διάκενο τουλάχιστον 20 cm μεταξύ των πλευρικών τοιχωμάτων των συσκευών και των συμπιεσμένων επίπλων ή κουρτινών.

17. Για να αποφύγετε τον κίνδυνο πυρκαγιάς ή έκρηξης, μην ψεκάζετε το στεγνωτήριο

18. Για να χρησιμοποιήσετε τα εξαρτήματα του περιβλήματος, μην τοποθετείτε τον αφυγραντήρα κοντά σε συσκευές θέρμανσης.

19. Αφαιρέστε το νερό που συλλέχθηκε στη δεξαμενή. Το πόσιμο νερό κατά λάθος ή η

χρήση του με άλλα άτομα μπορεί να προκαλέσει ασθένεια.

20. Δεν υποστηρίζει συσκευές που έχουν αφαιρεθεί το πίσω κάλυμμα λόγω κινούμενων και ζεστών εξαρτημάτων.

21. Μην χρησιμοποιείτε άλλα μέσα για να πραγματοποιήσετε τη διαδικασία απόψυξης ή λειτουργίας εκτός από εκείνες που συνιστά ο κατασκευαστής.

22. Η συσκευή πρέπει να είναι διαθέσιμη ως μέρος μόνιμης λίστας πηγών ανάφλεξης, δηλαδή χωρίς ανοιχτή φλόγα, χωρίς συσκευή αερίου εργασίας ή χωρίς θερμαντήρα συσκευής εργασίας.

23. Μην τρυπάτε ή καπνίζετε.

24. Σημειώστε ότι οι κατασκευαστές ψυκτικών μπορεί να μην περιέχουν άρωμα.

Πριν από την πρώτη χρήση:

1. Ο αφυγραντήρας πρέπει να χρησιμοποιείται σε επίπεδη και σταθερή επιφάνεια, να διατηρεί τις αποστάσεις μεταξύ της μονάδας και άλλων αντικειμένων σύμφωνα με την εικόνα 1 για να εξασφαλιστεί η κατάλληλη απόδοση. Κλείστε όλα τα παράθυρα και τις πόρτες του δωματίου που θέλετε να αφυγρανθεί ο αέρας.
2. Για να αποφύγετε την κατάψυξη του νερού, μην χρησιμοποιείτε τον αφυγραντήρα και τον εύκαμπτο σωλήνα αποστράγγισης σε θερμοκρασία περιβάλλοντος κάτω από 0 ° C
3. Μην χρησιμοποιείτε τον αφυγραντήρα έξω. Η έκθεση σε άμεσο ηλιακό φως ή βροχή μπορεί να οδηγήσει σε υπερθέρμανση, ηλεκτροπληξία και πυρκαγιά.
4. Μην τοποθετείτε τη δεξαμενή νερού στον αφυγραντήρα για να αποφύγετε τυχόν διαρροή νερού μέσα στη μονάδα και να καταστρέψετε τη μόνωση.
5. Ποτέ μην επιχειρήσετε να χρησιμοποιήσετε τον αφυγραντήρα για ειδικές χρήσεις, όπως η αφύγρυνση τροφίμων ή η συντήρηση αντικειμένων τέχνης ή παρόμοια.
6. Μην χρησιμοποιείτε τον αφυγραντήρα σε περίπτωση διαρροής λαδιού ή εύφλεκτου αερίου. Μην χρησιμοποιείτε τη μονάδα σε μέρη που υπόκεινται σε χημικά.
7. Για συνεχή αποστράγγιση, βεβαιωθείτε ότι ο σωλήνας αποστράγγισης έχει ρυθμιστεί σωστά με κλίση.
8. Προσέξτε ότι η συσκευή θέρμανσης δεν εκτίθεται στον αέρα από τον αφυγραντήρα.
9. Μην χρησιμοποιείτε τον αφυγραντήρα ως καρέκλα ή скаμπό.
10. Μην αφαιρέσετε το μοχλό επίπλευσης από τη δεξαμενή νερού.
11. Μην φράζετε τις εισόδους αέρα και τις εξόδους αέρα.
12. Μην καλύπτετε τη μονάδα με πλυμένα ρούχα.

Περιγραφή προϊόντος: AD7863 2 σε 1 Αφυγραντήρας αέρα & Καθαριστής αέρα

- | | |
|---|--|
| 1. Πίνακας ελέγχου | 2. Είσοδος αέρα |
| 3. Δεξαμενή νερού 6,5L | 4. Έξοδος αέρα |
| 5. Λαβή | 6. Floater |
| Φίλτρο αέρα HEPA | 8. Προφίλτρο αέρα με πλέγμα που πλένεται |
| 9. Περιβλήμα φίλτρου | 10. Ενδεικτική λυχνία υγρασίας |
| 11. Φίλτρο ενεργού άνθρακα | 12. Μπροστινή ψηφιακή οθόνη |
| 13. Τρύπα για σωλήνα σε συνεχή αποστράγγιση νερού | |

Πίνακας ελέγχου (1):

- | | |
|--|--|
| A. Διακόπτης λειτουργίας | B. Κουμπιά συν και πλην |
| C=Γ. Κουμπί χρονοδιακόπτη 0-24 ωρών | D=Δ. Κουμπί ταχύτητας ανεμιστήρα |
| E. Κουμπί λειτουργίας | F. Ένδειξη λειτουργίας στεγνώματος ρούχων |
| G=Z. Ένδειξη λειτουργίας κανονικής λειτουργίας | H. Ένδειξη λειτουργίας κυκλοφορίας αέρα |
| I. Ένδειξη αυτόματης λειτουργίας | J. Ένδειξη αυτόματης απόψυξης της συσκευής |
| K. Ένδειξη υψηλής ταχύτητας ανεμιστήρα | L. Ένδειξη χαμηλής ταχύτητας ανεμιστήρα |
| M. Ένδειξη χρονοδιακόπτη | N. Ένδειξη θερμοκρασίας |
| O. Δείκτης υγρασίας | P. Δείκτης υγρασίας στόχου |
| Q=Er. Ένδειξη πλήρους δοχείου νερού | R. Ένδειξη ισχύος |
| S. Ψηφιακή οθόνη LED υγρασίας και χρονοδιακόπτη και θερμοκρασία δωματίου | |

ΟΡΟΙ ΧΡΗΣΗΣ

Αυτός ο αφυγραντήρας δεν είναι κατάλληλος για τη διατήρηση της υγρασίας πολύ χαμηλή περίπου 50 % ή λιγότερο .

Αυτός ο αφυγραντήρας έχει σχεδιαστεί για να αφαιρεί την άβολη υγρασία στην καθημερινή ζωή και να χρησιμοποιείται για βρογχικό στέγνωμα πλυμένων ρούχων σε εσωτερικούς χώρους . Αυτό δεν είναι κατάλληλο για τη διατήρηση της υγρασίας σε πολύ χαμηλά επίπεδα .

Είναι φυσιολογικό η συσκευή να παράγει θερμότητα κατά τη λειτουργία και η θερμοκρασία δωματίου αυξάνεται κατά 1C σε 4C, επειδή αυτή η συσκευή δεν έχει λειτουργία ψύξης . Η θερμοκρασία αυξάνεται όταν λειτουργεί σε ντουλάπα ή κάπι παρόμοιο . Επιπλέον , η θερμοκρασία του δωματίου αυξάνεται επειδή οι πόρτες και τα παράθυρα είναι κλειστά και η θερμότητα παράγεται από άλλες συσκευές στο δωμάτιο και την ηλικιακή ακτινοβολία . Αυτός ο αφυγραντήρας δεν μπορεί να χρησιμοποιηθεί για να διατηρήσει εξαιρετικά χαμηλή θερμοκρασία. Η λειτουργία αυτού του αφυγραντήρα είναι να απομακρύνει τη δυσάρεστη, υψηλή υγρασία.

ΛΕΙΤΟΥΡΓΙΑ ΑΥΤΟΑΠΑΓΩΓΗΣ ΣΥΣΚΕΥΗΣ

Όταν ο πάγος συσσωρευτεί στα πηνία του εξαμιστή μέσα στη συσκευή, θα ξεκινήσει η αυτόματη λειτουργία απόψυξης. ο ο συμπιεστής θα σβήσει και ο ανεμιστήρας θα συνεχίσει να λειτουργεί μέχρι να αφαιρεθεί ο πάγος. Όταν η συσκευή λειτουργεί σε θερμοκρασία δωματίου μεταξύ 5 βαθμών Κελσίου και 12 βαθμών Κελσίου , θα σταματήσει να ξεπαγώνει για περίπου 3 λεπτά κάθε 8 λεπτά. Όταν η συσκευή λειτουργεί σε θερμοκρασία δωματίου μεταξύ 12 βαθμούς Κελσίου και 18 βαθμό Κελσίου , θα σταματήσει να ξεπαγώνει για περίπου 5 λεπτά κάθε 25 λεπτά. Όταν η συσκευή λειτουργεί σε θερμοκρασία δωματίου μεταξύ 18 βαθμών Κελσίου και 23 βαθμό Κελσίου θα σταματήσει να ξεπαγώνει για περίπου 5 λεπτά κάθε 120 λεπτά. Περιμένετε 3 λεπτά πριν συνεχίσετε τη λειτουργία. Αφού σταματήσει ο συμπιεστής, δεν μπορεί να επανεκκινήσει τη λειτουργία του μέχρι να περάσουν 3 λεπτά. Η ενδεικτική λυχνία (J) στον πίνακα ελέγχου (1) ανάβει όλη την ώρα που είναι ενεργή η αυτόματη απόψυξη.

ΣΠΟΥΔΑΙΟΣ !

Τόσο η λειτουργία αφύγρανσης όσο και η λειτουργία καθαρισμού αέρα σταματούν κατά τη διάρκεια της λειτουργίας απόψυξης . Μην απουσιάζετε το βύσμα της συσκευής και μην απενεργοποιείτε τη συσκευή κατά τη διάρκεια της απόψυξης .

Ικανότητα αφύγρανσης

1. Η ημερήσια ικανότητα αφύγρανσης του αφυγραντήρα εξαρτάται από τη θερμοκρασία δωματίου και τη σχετική υγρασία. Σε διαφορετικές θερμοκρασίες και σχετική υγρασία, μπορεί να έχει διαφορετική ικανότητα αφύγρανσης.
2. Στην ίδια θερμοκρασία δωματίου, η ικανότητα αφύγρανσης είναι μεγαλύτερη σε υψηλότερη σχετική υγρασία και η ικανότητα αφύγρανσης είναι χαμηλότερη σε χαμηλότερη σχετική υγρασία. Στην ίδια σχετική υγρασία, η ικανότητα αφύγρανσης είναι υψηλότερη σε υψηλότερη θερμοκρασία και η ικανότητα αφύγρανσης είναι χαμηλότερη σε χαμηλότερη θερμοκρασία.
3. Εάν ο αφυγραντήρας τοποθετηθεί στο ερμάριο, η ικανότητα αφύγρανσης του μπορεί να μειωθεί πολύ σε σύντομο χρονικό διάστημα μετά τη λειτουργία, λόγω της πολύ μειωμένης υγρασίας στο ντουλάπι.
4. Για 30°C / 27°C θερμοκρασίας δωματίου και 80% / 60% σχετικής υγρασίας, η ικανότητα αφύγρανσης είναι αντίστοιχα περίπου 25 /13 λίτρα νερού όταν η έξοδος αέρα είναι πλήρως ανοιχτή.

Σύστημα καθαρισμού αέρα - Φιλτράρισμα 3 σταδίων

Το σύστημα έχει σχεδιαστεί για να απομακρύνει τα σωματίδια ρύπων και τις σιμές στον αέρα. Η συσκευή περιλαμβάνει τα ακόλουθα φίλτρα:

1. Προφίλτρο πλέγματος αέρα που πλένεται (8): χρησιμοποιήστε το για να φιλτράρετε τη σκόνη και τις τρίχες στον αέρα.
2. Φίλτρο ενεργού άνθρακα: αφαιρέστε μια οσμή που προκαλείται π.χ. από τσιγάρο, κατοικίδιο κ.λπ.
3. Φίλτρο HEPA H13: Φιλτράρει τη σκόνη, τα σωματίδια ρύπων και αναζωογονεί τον αέρα. Το φίλτρο HEPA H13 συγκρατεί αποτελεσματικά το 99,95% των σωματιδίων ρύπων μεγέθους έως και 0,3 micron στον αέρα που ρέει. Το φίλτρο HEPA H13 είναι κατάλληλο για τον καθαρισμό του αέρα για άτομα που υποφέρουν από αλλεργίες.

Λειτουργία

1. Τοποθετήστε τη συσκευή σε όρθια θέση για να αποφύγετε την αστοχία και τον ασυνήθιστο ήχο. Διατηρήστε αποστάσεις μεταξύ άλλων αντικειμένων όπως φαίνεται στην εικόνα 1.
2. Το φίλτρο HEPA (7) είναι συσκευασμένο σε polybag, αφαιρέστε το polybag πριν το χρησιμοποιήσετε.
3. Ανοίξτε το μαύρο καπάκι στο επάνω μέρος της συσκευής για να βγαίνει ο αέρας εύκολα.
4. Συνδέστε τη συσκευή, ο διακόπτης λειτουργίας (A) αναβοσβήνει στον πίνακα ελέγχου (1), πατήστε τον για να ενεργοποιήσετε τη συσκευή. Η ψηφιακή οθόνη (8) θα δείξει το τρέχον επίπεδο υγρασίας στο δωμάτιο. Ταυτόχρονα, η ενδεικτική λυχνία υγρασίας (10) θα ανάψει στο μπροστινό επάνω άκρο της συσκευής. Κατά τη λειτουργία, η ενδεικτική λυχνία υγρασίας δείχνει το τρέχον επίπεδο υγρασίας στο δωμάτιο:
 - Μπλε χρώμα σημαίνει χαμηλή υγρασία κάτω από 50% σχετική υγρασία
 - Πράσινο χρώμα σημαίνει μέτρια υγρασία στο εύρος 51% - 69% σχετική υγρασία
 - Το κόκκινο χρώμα σημαίνει υψηλή υγρασία πάνω από 70% σχετική υγρασίαΣημειώστε ότι η τιμή σχετικής υγρασίας έχει ανοχή 3% όταν ανάβει η αντίστοιχη ενδεικτική λυχνία.
5. Πατήστε το κουμπί λειτουργίας (E) στον κύκλο για να επιλέξετε τον επιθυμητό τρόπο λειτουργίας μεταξύ:
 - Λειτουργία στεγνώματος ρούχων – πατήστε το κουμπί λειτουργίας (E) μία φορά, η ένδειξη (F) θα ανάψει. Για γρήγορη εκπλήρωση

της λειτουργίας, ο συμπιεστής λειτουργεί συνεχώς χωρίς διακοπή, εκτός από την περίπτωση που το δοχείο νερού (3) είναι γεμάτο. Ο ανεμιστήρας διατηρεί συνεχώς υψηλή ταχύτητα.

- Κανονική λειτουργία – πατήστε ξανά το κουμπί λειτουργίας (E), η ένδειξη (G) θα ανάψει. Υπό κανονική λειτουργία, ο συμπιεστής λειτουργεί. Ο χρήστης μπορεί να ορίσει το επιθυμητό επίπεδο υγρασίας πατώντας τα κουμπιά συν και πλην (3). Το εύρος υγρασίας του σετ είναι: 30%-80% με βαθμίδα 5%. Όταν φτάσει η επιθυμητή υγρασία, ο συμπιεστής σταματά να λειτουργεί. Ο ανεμιστήρας μπορεί να ρυθμιστεί και στις δύο: υψηλή και χαμηλή ταχύτητα ανάλογα με τις ανάγκες σας. Για να επιλέξετε την ταχύτητα του ανεμιστήρα μεταξύ χαμηλής και υψηλής ταχύτητας, πατήστε το κουμπί (D), η αντίστοιχη ένδειξη (K) για υψηλή ταχύτητα και (L) για χαμηλή ταχύτητα θα ανάψει.

- Λειτουργία κυκλοφορίας αέρα – πατήστε ξανά το κουμπί λειτουργίας (E), η ένδειξη (H) θα ανάψει. Σε αυτή τη λειτουργία ο συμπιεστής δεν λειτουργεί, υπάρχει μόνο λειτουργία ανεμιστήρα. Μπορείτε να προσαρμόσετε την ταχύτητα του ανεμιστήρα μεταξύ: χαμηλής και υψηλής ταχύτητας στις ανάγκες σας.

- Αυτόματη λειτουργία — πατήστε ξανά το κουμπί λειτουργίας (E), η ένδειξη (I) θα ανάψει. Σε αυτή τη λειτουργία, η προεπιλεγμένη στοχευόμενη υγρασία είναι 55%. Όταν η υγρασία του δωματίου φτάσει στο 55%, ο συμπιεστής σταματά να λειτουργεί, ο ανεμιστήρας συνεχίζει να λειτουργεί μόνο. Όταν η υγρασία του δωματίου είναι μεγαλύτερη από 55%, ο συμπιεστής αρχίζει να λειτουργεί ξανά.

Στην περίπτωση διακοπής ρεύματος, η συσκευή έχει λειτουργία μνήμης και μπορεί να θυμηθεί την τελευταία ρύθμιση.

Συνεχής λειτουργία αποστράγγισης

1. Εάν χρειάζεται να αφυγρανέτε τον αέρα για μεγάλο χρονικό διάστημα, μπορείτε να χρησιμοποιήσετε τη λειτουργία συνεχούς αποστράγγισης.

2. Πριν από τη συνεχή λειτουργία για μεγάλη διάρκεια, απαιτείται περιοδικός έλεγχος ειδικά για το φίλτρο καθαρισμού αέρα, το σωλήνα αποστράγγισης ή παρόμοια.

3. Αφαιρέστε τη δεξαμενή νερού (3) από την αρχική θέση, τοποθετήστε τον προσαρτημένο σωλήνα στην οπή για συνεχή αποστράγγιση νερού (13) φαίνεται στην εικόνα 5.

4. Όταν ορίζετε την υγρασία στόχου υπό κανονική λειτουργία αφύγρανσης, μπορείτε να ορίσετε: 30-35-40-45-50-55-60-65-70-75-80%-CO-30% και ούτω καθεξής. «CO» σημαίνει λειτουργία συνεχούς αφύγρανσης. Σε αυτή τη λειτουργία, η ταχύτητα του ανεμιστήρα μπορεί να επιλεγεί μεταξύ χαμηλής ή υψηλής ταχύτητας.

5. Αφού τερματίσετε τη συνεχή αφυδάτωση, απενεργοποιήστε το σωλήνα, τοποθετήστε το δοχείο νερού (3) στην αρχική του θέση και απενεργοποιήστε τη συσκευή.

Εύκαμπτος σωλήνας αποστράγγισης: μήκος: 30 cm, εσωτερική διάμετρος: 17 mm, εξωτερική διάμετρος: 19 mm.

Λειτουργία χρονοδιακόπτη - Λειτουργία καθυστέρησης διακοπής

Για να ρυθμίσετε τη λειτουργία Timer OFF - DELAY STOP χρησιμοποιήστε το κουμπί χρονοδιακόπτη (C).

Η λειτουργία απενεργοποίησης χρονοδιακόπτη μπορεί να ρυθμιστεί όταν η συσκευή λειτουργεί. Πατήστε το κουμπί Timer (C), η ένδειξη του χρονοδιακόπτη (M) θα ανάψει. Η ψηφιακή οθόνη LED (S) ανάβει και εμφανίζεται το "00", θα πρέπει να πατήσετε τα κουμπιά συν ή πλην (B) για να επιλέξετε την επιθυμητή ώρα για να απενεργοποιηθεί η συσκευή. Αφού ρυθμιστεί ο χρονοδιακόπτης, η ώρα θα εμφανιστεί για 5 δευτερόλεπτα και θα θυμάστε. Μόλις ρυθμιστεί ο χρονοδιακόπτης, για έλεγχο με τον

αριστερό χρόνο πατήστε το κουμπί χρονοδιακόπτη (C). Η συσκευή θα απενεργοποιηθεί αυτόματα μετά το πέρασμα του χρόνου ρύθμισης. Για να επαναφέρετε τη λειτουργία του χρονοδιακόπτη χρειάζεται να πατάτε συνεχώς το κουμπί του χρονοδιακόπτη (C) όσο η τιμή του χρόνου αναβοσβήνει, η τιμή του χρόνου θα αλλάξει σε μηδέν. Το εύρος του χρονοδιακόπτη είναι από 1 έως 24 ώρες με διάστημα 1 ώρας.

Έλεγχος θερμοκρασίας δωματίου

Για να ελέγξετε την τρέχουσα θερμοκρασία δωματίου, πατήστε το κουμπί Συν για λίγα δευτερόλεπτα, όταν η τιμή θα εμφανιστεί στην ψηφιακή οθόνη LED (S), την ίδια στιγμή θα εμφανιστεί η ένδειξη θερμοκρασίας (N).

Έλεγχος υγρασίας δωματίου

Για να ελέγξετε με την τρέχουσα υγρασία δωματίου, δείτε την τιμή που εμφανίζεται από την ψηφιακή οθόνη LED (S) ή την τιμή που εμφανίζεται από την μπροστινή ψηφιακή οθόνη (12), ταυτόχρονα η ένδειξη υγρασίας (O) θα ανάψει στο χειριστήριο πίνακας (1). Όταν η τρέχουσα υγρασία δωματίου φτάσει την καθορισμένη σχετική υγρασία, η ένδειξη υγρασίας στόχου (P) θα ανάψει.

Πατήστε ξανά το διακόπτη λειτουργίας (A) για να απενεργοποιήσετε τη συσκευή, η συσκευή σταματά να λειτουργεί, απλώς η ένδειξη λειτουργίας (R) θα αναβοσβήνει για να ενημερώσει ότι η συσκευή βρίσκεται σε κατάσταση αναμονής. Όταν η συσκευή είναι ενεργοποιημένη. Η ένδειξη ισχύος (R) ανάβει.

Άδειασμα της δεξαμενής νερού

1. Εάν η δεξαμενή νερού (3) είναι γεμάτη ή η δεξαμενή νερού (3) δεν έχει εγκατασταθεί στη σωστή θέση, η ένδειξη πλήρους δοχείου νερού (Q) ανάβει στον πίνακα ελέγχου (1), ηχείο ο βομβητής. Η συσκευή θα σταματήσει να λειτουργεί αυτόματα.

2. Όταν η ενδεικτική λυχνία πλήρους δοχείου νερού (Q) αναβοσβήνει, η συσκευή σταματά τη λειτουργία της μέχρι να αδειάσει η δεξαμενή νερού ή να τεθεί στη σωστή θέση.
3. Για να αφαιρέσετε τη δεξαμενή νερού (3) τραβήξτε τη δεξαμενή νερού απαλά προς το μέρος σας κρατώντας τα κοίλα μέρη της δεξαμενής νερού. Δείτε την εικόνα 3.
4. Για να αδειάσετε τη δεξαμενή νερού (3), χρησιμοποιήστε μια λαβή για να τη μεταφέρετε, στη συνέχεια γείρετε όπως φαίνεται στην εικόνα 4 και αδειάστε το νερό αργά. Στη συνέχεια, θα πρέπει να τοποθετήσετε τη λαβή επίπεδη πριν σπρώξετε απαλά τη δεξαμενή (3) πίσω στην προηγούμενη θέση της μέσα στο περίβλημα.
5. Κατά διαστήματα η δεξαμενή νερού (6) πρέπει να την καθαρίζετε εσωτερικά. Για να ανοίξετε τη δεξαμενή νερού (3), προσαρμόστε τη θέση της λαβής της δεξαμενής νερού σε σχήμα οπίων σε δύο πλαστικά μέρη στα οποία είναι συναρμολογημένη η λαβή και επεκτείνετε απαλά και τις δύο άκρες της λαβής για να αποσυναρμολογήσετε εντελώς τη λαβή. Τώρα μπορείτε να ανοίξετε το καπάκι της δεξαμενής νερού και να καθαρίσετε τη δεξαμενή νερού με νερό με σαπούνι πιάτων και μαλακό πανί. Μην αποσυναρμολογείτε ή σηκώνετε τον πλωτήρα (6) από τη δεξαμενή νερού (3). Κοιτάξτε την εικόνα

Βομβητής

Ακούγεται για 20 δευτερόλεπτα όταν αφαιρεθεί το δοχείο νερού (3) κατά τη λειτουργία.

Καθαρισμός και Συντήρηση

1. Απενεργοποιήστε τη συσκευή και αποσυνδέστε το φως ρεύματος πριν ξεκινήσετε οποιοδήποτε καθαρισμό ή άλλη τακτική συντήρηση.
2. Για να αποφύγετε τον κίνδυνο ηλεκτροπληξίας, μην ψεκάζετε ή χύνετε ποτέ νερό στον αφυγραντήρα όταν τον καθαρίζετε.
3. Απενεργοποιήστε τη συσκευή και αδειάστε το νερό από το δοχείο νερού πριν μετακινήσετε τη συσκευή. Φροντίστε να κρατάτε τη λαβή ενώ κινείστε.
4. Σκουπίστε το περίβλημα της συσκευής με βρεγμένο και μαλακό πανί.
5. Μην αποσυναρμολογείτε τον πλωτήρα (6) από τη δεξαμενή νερού (3).
6. Πριν από την προγραμματισμένη συνεχή λειτουργία για μεγάλη διάρκεια, απαιτείται περιοδικός έλεγχος ειδικά για το φίλτρο αέρα (8), το φίλτρο ενεργού άνθρακα (11) και το σωλήνα αποστράγγισης (13) ή τα παρόμοια.
7. Για να καθαρίσετε ή να αντικαταστήσετε τα φίλτρα:
 - Αποσυνδέστε το φως και βγάλτε το δοχείο νερού (3)
 - αφαιρέστε το περίβλημα του φίλτρου (9) όπως φαίνεται στην εικόνα 5
 - αφαιρέστε το διχτυωτό φίλτρο αέρα (8) από το περίβλημα και αφαιρέστε απαλά το φίλτρο ενεργού άνθρακα (11)
 - αφαιρέστε το φίλτρο HEPA (7) από τη συσκευή
 - Κάθε δύο εβδομάδες, καθαρίζετε και τα τρία φίλτρα με ηλεκτρική σκούπα ή τα χτυπάτε ελαφρά για να τα τινάξετε. Η απόδοση αφύγρανσης μπορεί να μειωθεί εάν τα φίλτρα είναι φραγμένα με βρωμιά
 - τοποθετήστε τα φίλτρα πίσω και συναρμολογήστε ξανά το περίβλημα του φίλτρου (9).
- Εάν τα φίλτρα έχουν λερωθεί σοβαρά, πλύνετε με νερό συμπεριλαμβανομένου ουδέτερου απορρυπαντικού, ξεπλύνετε καλά με νερό και αφήστε το μέχρι να στεγνώσει.
8. Μην καθαρίζετε τη συσκευή με βενζίνη, διαλυτικό ή υγρό απορρυπαντικό.
9. Πριν από μεγαλύτερη αποθήκευση: δεσμεύστε το καλώδιο ρεύματος, αδειάστε το δοχείο νερού και σκουπίστε το με μαλακό πανί, καθαρίστε και στεγνώστε όλα τα φίλτρα. Τοποθετήστε τη συσκευή σε όρθια θέση για να αποφύγετε δυσλειτουργία ή μη φυσιολογικό ήχο στο μέλλον, αποφύγετε την έκθεση στο άμεσο ηλιακό φως.

Πρόβλημα – αντιμετώπιση: ελέγξτε την παρακάτω λίστα πριν επικοινωνήσετε με τον πωλητή:

1. Πρόβλημα: καμία λειτουργία

Σημείο ελέγχου 1: δείτε εάν το φως τροφοδοσίας είναι αποσυνδεδεμένο.

Λύση 1: τοποθετήστε το φως σε μια ηλεκτρική πρίζα πλήρως και με ασφάλεια

Σημείο ελέγχου 2: δείτε αν η δεξαμενή νερού είναι γεμάτη νερό

Λύση 2: Αδειάστε το νερό από τη δεξαμενή .

Σημείο ελέγχου 3: δείτε εάν το δοχείο νερού δεν έχει ρυθμιστεί σωστά στη θέση του .

Λύση 3: Τοποθετήστε τη δεξαμενή στη συσκευή σωστά στη θέση της

Σημείο ελέγχου 4: δείτε εάν το επάνω καπάκι από μαύρο πλαστικό της εξόδου αέρα είναι κλειστό

Λύση 4: Ανοίξτε το επάνω καπάκι

2. Πρόβλημα: η χωρητικότητα του αφυγραντήρα είναι μικρή

Σημείο ελέγχου 1: δείτε εάν τα φίλτρα είναι βρώμικα

Λύση 1: Καθαρίστε τα φίλτρα όπως ορίζεται στο κεφάλαιο Καθαρισμός και συντήρηση στο σημείο 7

Σημείο ελέγχου 2: δείτε εάν τα ανοίγματα αέρα είναι φραγμένα

Λύση 2: αφαιρέστε τα εμπόδια από τα ανοίγματα αέρα

Σημείο ελέγχου 3: δείτε εάν ο αφυγραντήρας βρίσκεται σε λειτουργία κυκλοφορίας αέρα

Λύση 3: Αλλάξτε τον τρόπο λειτουργίας σε λειτουργία αφύγρανσης

3. Πρόβλημα: δυνατός ήχος κατά τη λειτουργία

Σημείο ελέγχου 1: ελέγξτε εάν η συσκευή έχει εγκατασταθεί σωστά

Λύση 1: Εγκαταστήστε τη συσκευή σε επίπεδο και σταθερό δάπεδο

4. Πρόβλημα: τα πλυμένα πανιά δεν στεγνώνουν

Σημείο ελέγχου 1: δείτε εάν τα πλυμένα ρούχα δεν εκθίθενται στον αέρα από τη συσκευή

Λύση 1: Προσπαθήστε να εκθέσετε τα πλυμένα ρούχα στη ροή του αέρα

Σημείο ελέγχου 2: δείτε αν η θερμοκρασία δωματίου είναι πολύ χαμηλή

Λύση 2: Τα πλυμένα ρούχα είναι δύσκολο να στεγνώσουν σε συνθήκες χαμηλής θερμοκρασίας

Η συσκευή λειτουργεί σωστά όταν συμβαίνει το ακόλουθο φαινόμενο:

1. Περιγραφή φαινομένου: Η λειτουργία σταματά περιστασιακά

Αιτία φαινομένου: Η συσκευή ξεπαγώνει

2. Περιγραφή φαινομένου: Ο αφυγρανμένος όγκος είναι μικρός

Αιτία φαινομένου: Ο όγκος του αφυγραντήρα είναι μικρότερος όταν η θερμοκρασία δωματίου είναι χαμηλή.

3. Περιγραφή φαινομένου: Η υγρασία σε ένα δωμάτιο είναι ακόμα υψηλή

Αιτία του φαινομένου: Το μέγεθος του δωματίου μπορεί να είναι πολύ μεγάλο . Οι πόρτες ή τα παράθυρα του δωματίου μπορεί να ανοίγουν ή / και να κλείνουν

συχνά . Ο αφυγραντήρας χρησιμοποιείται κοντά σε θερμάστρα κηροζίνης που εκπέμπει ατμούς .

4. Περιγραφή φαινομένου: Κακοσμία κατά τη λειτουργία

Αιτία φαινομένου: Η μυρωδιά εκπέμπεται από τους τοίχους , τα έπιπλα ή άλλα αντικείμενα .

5. Περιγραφή φαινομένου: Ο ήχος παράγεται μέσα στη συσκευή

Αιτία φαινομένου: Η κυκλοφορία του ψυκτικού μπορεί να προκαλέσει ήχο μέχρι να σταθεροποιηθεί .

6. Περιγραφή φαινομένου: Το νερό παραμένει στη δεξαμενή νερού

Αιτία φαινομένου: Το νερό έχει μείνει επειδή η συσκευή έχει υποβληθεί σε δοκιμή αφύγρανσης στο εργοστάσιο

7. Περιγραφή φαινομένου: Ακούγεται ο βομβητής

Αιτία φαινομένου: Ηχεί ο βομβητής όταν η δεξαμενή νερού είναι γεμάτη νερό .

ΠΡΟΣΟΧΗ: Το ψυκτικό μέσο μπορεί να γεμιστεί μόνο από το εργοστάσιο.

ΤΕΧΝΙΚΑ ΔΕΔΟΜΕΝΑ:

Ικανότητα αφύγρανσης στους 30°C / 80% RH): 25 λίτρα / 24 ώρες

Ικανότητα αφύγρανσης στους 27°C / 60% RH): 13 λίτρα / 24 ώρες

Επίπεδο θορύβου: <= 48dB (A)

Χωρητικότητα δοχείου νερού: 6,5 λίτρα

Παροχή αέρα: 195 m³ / ώρα

Βάρος ψυκτικού μέσου R290: μέγ. 65 γραμμάρια

Ονομαστική ισχύς εισόδου: 320W

Μέγιστη. Ονομαστική ισχύς εισόδου: 420W

Τροφοδοσία: 220-240V ~50Hz



Προσοχή, κίνδυνος πυρκαγιάς.

MHN τρυπάτε ή καίτε.

Λάβετε υπόψη ότι το ψυκτικό μπορεί να μην περιέχει οσμή.

Η μέγιστη ποσότητα φορτίου ψυκτικού μέσου: 65g
MHN τρυπάτε ή καίτε. Polyethyleen zakken (PE) storten in kan dat een bedreiging zijn voor het milieu. Elektrisch apparaat moet worden geretourneerd om het hergebruik te verminderen. Als in het apparaat batterijen zitten, horen die verwijderd te worden en apart af te worden gegeven bij het juiste verzamelpunt.



We geven om het milieu. We vragen u om de kartonnen verpakkingen te storten bij het juiste verzamelpunt, als in het apparaat gevaarlijke elementen zitten kan dat een bedreiging zijn voor het milieu. Elektrisch apparaat moet worden geretourneerd om het hergebruik te verminderen. Als in het apparaat batterijen zitten, horen die verwijderd te worden en apart af te worden gegeven bij het juiste verzamelpunt.

NEDERLANDS

ALGEMENE VEILIGHEIDSVORWAARDEN

BELANGRIJKE VEILIGHEIDSinSTRUCTIES LEES AANDACHTIG EN BEWAAR VOOR TOEKOMST

1. Lees voordat u het apparaat gebruikt de handleiding en volg de instructies die erin staan. De fabrikant is niet aansprakelijk voor schade veroorzaakt door het gebruik van het apparaat in strijd met het beoogde doel of onjuist gebruik.
2. Het apparaat is alleen voor thuisgebruik. Niet gebruiken voor andere doeleinden die niet voor het beoogde doel zijn.
3. Het apparaat mag alleen worden aangesloten op een stopcontact met een gearde 220 240V ~ 50Hz. Om de operationele veiligheid te vergroten, mogen meerdere elektrische apparaten niet tegelijkertijd op één stroomcircuit worden aangesloten.

4. Wees uiterst voorzichtig wanneer u het apparaat gebruikt wanneer kinderen in de buurt zijn. Laat kinderen niet met het apparaat spelen, en laat kinderen of mensen die niet bekend zijn met het apparaat het gebruiken.
5. WAARSCHUWING: deze apparatuur kan worden gebruikt door kinderen ouder dan 8 jaar en mensen met beperkte fysieke, sensorische of mentale vaardigheden, of mensen die geen ervaring of kennis van de apparatuur hebben, als dit wordt gedaan onder toezicht van een verantwoordelijke persoon voor hun veiligheid of hebben ze informatie gekregen over het veilige gebruik van het apparaat en zijn zich bewust van de gevaren van het gebruik ervan. Kinderen mogen niet met het apparaat spelen. Reiniging en onderhoud van het apparaat mogen niet door kinderen worden uitgevoerd, tenzij ze ouder zijn dan 8 jaar en deze activiteiten worden uitgevoerd onder toezicht.
6. Trek altijd de stekker uit het stopcontact door het stopcontact na gebruik met uw hand vast te houden. Trek NIET aan het netsnoer.
7. Dompel de kabel, de stekker en het hele apparaat niet onder in water of een andere vloeistof. Stel het apparaat niet bloot aan atmosferische omstandigheden (regen, zon, enz.) Of gebruik het niet in omstandigheden met een hoge luchtvochtigheid (badkamers, vochtige stacaravans).
8. Controleer regelmatig de staat van het netsnoer. Als het netsnoer beschadigd is, moet het worden vervangen door een gespecialiseerde reparatiewerkplaats om gevaar te voorkomen.
9. Gebruik het apparaat niet met een beschadigd netsnoer of als het is gevallen of op een andere manier is beschadigd of als het niet goed werkt. Repareer het apparaat niet zelf, want er bestaat een risico op elektrische schokken. Breng het beschadigde apparaat naar een geschikt servicecentrum voor controle of reparatie. Alle reparaties mogen alleen door geautoriseerde servicepunten worden uitgevoerd. Onjuist uitgevoerde reparaties kunnen ernstig gevaar voor de gebruiker veroorzaken.
10. Plaats het apparaat op een koele, stabiele ondergrond, uit de buurt van hete keukenapparatuur zoals: elektrisch fornuis, gasbrander, enz.
11. Zorg ervoor dat niets de luchtinlaat en -uitlaat van het apparaat blokkeert
12. Gebruik het apparaat alleen op een vlakke ondergrond om te voorkomen dat condensatie naar buiten komt
13. Voor extra bescherming is het raadzaam om een aardlekschakelaar (RCD) in het elektrisch circuit te installeren met een nominale reststroom van niet meer dan 30 mA. Vraag hierom een elektricien.
14. Reinig het luchtfilter regelmatig. De frequentie van schoonmaken hangt af van de reinheid van de lucht.
15. Wacht na het uitschakelen van de machine minstens 5 minuten voordat u hem weer inschakelt.
16. Voor een effectieve ontvochtiging moet een ruimte van minimaal 20 cm worden aangehouden tussen de zijwanden van de apparaten en de gecomprimeerde meubels

of gordijnen.

17. Spuit de droger niet om het risico op brand of explosie te vermijden

18. Plaats de luchtontvochtiger niet in de buurt van verwarmingsapparaten om de behuizingsonderdelen te gebruiken.

19. Verwijder het water dat in de tank is opgevangen. Per ongeluk water drinken of het gebruiken met andere mensen kan ziekte veroorzaken.

20. Ondersteunt geen apparaten waarvan de achterklep is verwijderd vanwege bewegende en hete onderdelen.

21. Gebruik voor het ontdoeien of het gebruik geen andere middelen dan die welke door de fabrikant worden aanbevolen.

22. Het apparaat moet beschikbaar zijn als onderdeel van een permanente lijst van ontstekingsbronnen, dwz zonder open vlam, zonder een werkend gasapparaat of zonder een werkend apparaatverwarmer.

23. Niet doorboren of roken.

24. Houd er rekening mee dat koelfabrikanten geen geur bevatten.

Voor het eerste gebruik:

1. De luchtontvochtiger moet worden gebruikt op een vlak en stabiel oppervlak, houd afstanden tussen de unit en andere objecten volgens afbeelding 1 om een geschikte efficiëntie te garanderen. Sluit alle ramen en deuren van de kamer waar u de lucht wilt ontvochtigen.

2. Gebruik de luchtontvochtiger en de afvoerslang niet bij omgevingstemperaturen onder 0 ° C om te voorkomen dat het water bevriest

3. Gebruik de luchtontvochtiger niet buiten. Blootstelling aan direct zonlicht of regen kan leiden tot oververhitting, elektrische schokken en brand.

4. Plaats geen watertank op de luchtontvochtiger om te voorkomen dat er water in het apparaat binnendringt en de isolatie verslechtert.

5. Probeer nooit de luchtontvochtiger te gebruiken voor speciale doeleinden, zoals het ontvochtigen van voedsel of het bewaren van kunstvoorwerpen en dergelijke.

6. Gebruik de luchtontvochtiger niet op plaatsen waar lekkage van olie of brandbaar gas kan plaatsvinden. Gebruik het apparaat niet op plaatsen die onderhevig zijn aan chemicaliën.

7. Zorg ervoor dat de afvoerslang correct is afgesteld op een helling voor continu legen.

8. Zorg ervoor dat een verwarmingstoestel niet wordt blootgesteld aan de wind van de luchtontvochtiger.

9. Gebruik de luchtontvochtiger niet als stoel of als voetenbank.

10. Verwijder de vlotterhendel niet uit de watertank.

11. Blokkeer de luchtinlaten en de luchtuitlaten niet.

12. Bedek het apparaat niet met gewassen kleding.

Productomschrijving: AD7863 2in1 Luchtontvochtiger & Luchtreiniger

1. Bedieningspaneel

2. Luchtinlaat

3. Watertank 6,5L

4. Luchtuitlaat

5. Handgreep

6. Vlotter

7. HEPA- luchtfilter

8. Wasbaar luchtvoorfilter van gaas

9. Filterbehuizing

10. Vochtigheidsindicatielampje

11. Actief koolstoffilter

12. Digitaal display vooraan

13. Gat voor leiding naar continue waterafvoer

Bedieningspaneel (1):

A. Aan/uit-schakelaar

C. Knop Timer 0-24 uur

E. Modusknop

G. Indicator normale bedrijfsmodus

I. Indicator automatische modus

K. Indicator hoge ventilatorsnelheid

B. Plus- en minknoppen

D. Knop Ventilatorsnelheid

F. Indicator modus droge kleding

H. Indicator luchtcirculatiemodus

J. Indicatie zelfontdooiing apparaat

L. Indicator lage ventilatorsnelheid

- | | |
|---|------------------------------|
| M. Timerindicator | N. Temperatuurindicator |
| O. Vochtigheidsindicator | P. Doelvochtigheidsindicator |
| Q. Indicator watertank vol | R. Stroomindicator |
| S. LED digitale weergave van vochtigheid en timer en kamertemperatuur | |

GEBRUIKSVOORWAARDEN

Deze luchtontvochtiger is niet geschikt om de luchtvochtigheid zeer laag te houden, ongeveer 50 % of minder .
Deze luchtontvochtiger is ontworpen om onaangename vochtigheid in het dagelijks leven te verwijderen en om binnenshuis te gebruiken voor het extra drogen van gewassen kleding . Dit is niet geschikt om de luchtvochtigheid zeer laag te houden .

Het is normaal dat het apparaat tijdens de werking warmte produceert en dat de kamertemperatuur met 1C tot 4C stijgt, omdat dit apparaat geen koelfunctie heeft . De temperatuur wordt hoger als het apparaat in een kast of iets dergelijks wordt gebruikt . Bovendien stijgt de kamertemperatuur omdat deuren en ramen gesloten zijn en er warmte wordt geproduceerd door andere apparaten in de kamer en door de zonnestraling . Deze luchtontvochtiger kan niet worden gebruikt om extreem lage temperaturen te behouden. De functie van deze luchtontvochtiger is het wegpompen van de onaangename, hoge luchtvochtigheid.

ZELFONDOOIENFUNCTIE VAN HET APPARAAT

Wanneer er rijp ontstaat op de verdamperspiralen in het apparaat, wordt de automatische ontdooifunctie gestart. De compressor wordt uitgeschakeld en de ventilator blijft draaien totdat de vorst is verwijderd. Wanneer het apparaat actief is bij een kamertemperatuur tussen 5 graden Celsius en 12 graden Celsius stopt hij elke 8 minuten met ontdooien gedurende ongeveer 3 minuten. Wanneer het apparaat werkt bij een kamertemperatuur tussen 12 graden Celsius en 18 graden Celsius , zal het ongeveer stoppen met ontdooien 5 minuten elke 25 minuten. Wanneer het apparaat werkt bij een kamertemperatuur tussen 18 graden Celsius en 23 graden Celsius elke 120 minuten stopt het met ontdooien gedurende ongeveer 5 minuten. Wacht 3 minuten voordat u de werking hervat. Nadat de compressor is gestopt, kan deze de werking niet meer hervatten totdat er 3 minuten zijn verstreken. Het indicatielampje (J) op het bedieningspaneel (1) brandt zolang de zelfontdooiing actief is.

BELANGRIJK !

Zowel de ontvochtigingsfunctie als de luchtreinigingsfunctie stoppen tijdens het ontdooien .
Trek tijdens het ontdooien de stekker van het apparaat niet uit het stopcontact en schakel het apparaat niet uit .

Ontvochtigingscapaciteit

1. De dagelijkse ontvochtigingscapaciteit van de luchtontvochtiger is afhankelijk van de kamertemperatuur en de relatieve luchtvochtigheid. Bij verschillende temperaturen en relatieve vochtigheid kan de ontvochtigingscapaciteit verschillend zijn.
2. Bij dezelfde kamertemperatuur is de ontvochtigingscapaciteit hoger bij een hogere relatieve luchtvochtigheid en is de ontvochtigingscapaciteit lager bij een lagere relatieve luchtvochtigheid. Bij dezelfde relatieve vochtigheid is de ontvochtigingscapaciteit hoger bij hogere temperaturen en is de ontvochtigingscapaciteit lager bij lagere temperaturen.
3. Als de luchtontvochtiger in de kast wordt geplaatst, kan de ontvochtigingscapaciteit ervan in een korte periode na gebruik sterk afnemen, omdat de vochtigheid in de kast sterk is afgenomen.
4. Bij een kamertemperatuur van 30°C / 27°C en een relatieve luchtvochtigheid van 80% / 60% bedraagt de ontvochtigingscapaciteit respectievelijk ongeveer 25 / 13 liter water wanneer de luchtuitlaat volledig open is.

Luchtzuiveringstelsel - filtratie in 3 fasen

Het systeem is ontworpen om verontreinigende deeltjes en geuren in de lucht te verwijderen. Het apparaat bevat de volgende filters:

1. Wasbaar luchtvoorfilter van gaas (8): gebruik dit om stof en haar in de lucht te filteren.
2. Actief koolfilter: verwijdert een geur veroorzaakt door bijvoorbeeld sigaretten, huisdieren, enz..
3. HEPA-filter H13: Het filtert stof, verontreinigende deeltjes en verfrist de lucht. Het HEPA H13-filter houdt effectief 99,95% van de verontreinigende deeltjes met een grootte tot 0,3 micron in de stromende lucht tegen. HEPA H13-filter is geschikt voor luchtzuivering voor mensen met allergieën.

Operatie

1. Plaats het apparaat recht op verkeerde bediening en ongewone geluiden te voorkomen. Houd afstanden tussen andere objecten, zoals weergegeven op afbeelding 1.
 2. Het HEPA-filter (7) is verpakt in polybags. Verwijder de polybag vóór gebruik.
 3. Open het zwarte deksel aan de bovenkant van het apparaat, zodat de lucht er gemakkelijk uit kan komen.
 4. Sluit het apparaat aan, de aan/uit-schakelaar (A) knippert op het bedieningspaneel (1), druk erop om het apparaat in te schakelen. Het digitale display (S) toont het huidige vochtigheidsniveau in de kamer. Tegelijkertijd gaat het vochtigheidsindicatielampje (10) aan de bovenzijde van het apparaat branden.
- Tijdens bedrijf geeft het vochtigheidsindicatielampje de huidige vochtigheidsgraad in de kamer aan:
- Blauwe kleur betekent lage luchtvochtigheid onder de 50% relatieve luchtvochtigheid

- Groene kleur betekent gemiddelde vochtigheid binnen het bereik van 51% - 69% relatieve vochtigheid

- Rode kleur betekent een hoge luchtvochtigheid van meer dan 70% relatieve vochtigheid

Let op: de relatieve vochtigheidswaarde heeft een tolerantie van 3% wanneer het bijbehorende indicatielampje gaat branden.

5. Druk herhaaldelijk op de modusknop (E) om de gewenste werkingsmodus te kiezen tussen:

- Droge kledingmodus – druk één keer op de modusknop (E), het indicatielampje (F) gaat branden. Om een snelle werking te garanderen, werkt de compressor continu en zonder stop, behalve als de watertank (3) vol is. De ventilator blijft de hele tijd op hoge snelheid draaien.

- Normale bedrijfsmodus – druk nogmaals op de modusknop (E), de indicator (G) gaat branden. Bij normaal bedrijf werkt de compressor. De gebruiker kan het beoogde vochtigheidsniveau instellen door op de plus- en minknoppen (3) te drukken. Het ingestelde vochtigheidsbereik is: 30%-80% met stappen van 5%. Wanneer de beoogde luchtvochtigheid wordt bereikt, stopt de compressor met werken. De ventilator kan op zowel hoge als lage snelheid worden ingesteld, afhankelijk van uw behoefte. Om de ventilatorsnelheid tussen laag en hoog te kiezen, drukt u op knop (D), de bijbehorende indicator (K) voor hoge snelheid en (L) voor lage snelheid zal oplichten.

- Luchtcirculatiemodus – druk nogmaals op de modusknop (E), het indicatielampje (H) gaat branden. In deze modus werkt de compressor niet, er is alleen ventilatorwerking. U kunt de snelheid van de ventilator aanpassen tussen: lage en hoge snelheid, afhankelijk van uw behoeften.

- Automatische modus — druk nogmaals op de modusknop (E), het indicatielampje (I) gaat branden. In deze modus is de standaard beoogde luchtvochtigheid 55%. Wanneer de luchtvochtigheid in de kamer 55% bereikt, stopt de compressor met werken, de ventilator blijft alleen werken. Wanneer de luchtvochtigheid in de ruimte hoger is dan 55%, begint de compressor weer te werken.

In het geval van een stroomstoring beschikt het apparaat over een geheugenfunctie en kan het de laatste instelling onthouden.

Continue afvoerfunctie

1. Als u de lucht langere tijd moet ontvochtigen, kunt u de continue afvoerfunctie gebruiken.

2. Voorafgaand aan langdurig continu gebruik is periodieke controle vereist, vooral van het luchtreinigingsfilter, de afvoerleiding en dergelijke.

3. Haal de watertank (3) weg uit de oorspronkelijke positie, steek de bevestigde pijp in het gat voor continue waterafvoer (13) weergegeven op afbeelding 5.

4. Wanneer u de doelvochtigheid instelt in de normale ontvochtigingsmodus, kunt u het volgende instellen: 30-35-40-45-50-55-60-65-70-75-80%-CO-30% enzovoort. "CO" betekent continue ontvochtigingsmodus. In deze modus kan de ventilatorsnelheid worden gekozen tussen lage snelheid of hoge snelheid.

5. Na het beëindigen van de continue ontvochtiging demonteert u de leiding, plaatst u de watertank (3) op zijn oorspronkelijke plaats en schakelt u het apparaat uit.

Afvoerslang: lengte: 30 cm, binnendiameter: 17 mm, buitendiameter: 19 mm.

Timerwerking - Vertragingstopfunctie

Om de Timer OFF-functie in te stellen - DELAY STOP gebruikt u de timerknop (C).

De timer-uitfunctie kan worden ingesteld wanneer het apparaat in werking is. Druk op de Timer-knop (C), de timer-indicatie (M) gaat branden. Het digitale LED-display (S) licht op en "00" verschijnt. Druk op de plus- of minknop (B) om het gewenste tijdstip te selecteren waarop het apparaat moet worden uitgeschakeld. Nadat de timer is ingesteld, wordt de tijd gedurende 5 seconden weergegeven en onthouden. Zodra de timer is ingesteld, kunt u de resterende tijd controleren door op de timerknop (C) te drukken. Het apparaat wordt automatisch uitgeschakeld nadat de insteltijd is verstreken. Om de timerfunctie te resetten, moet u continu op de timerknop (C) drukken terwijl de tijdwaarde knippert. De tijdwaarde wordt naar nul gewijzigd. Het timerbereik loopt van 1 tot 24 uur met een interval van 1 uur.

Controle van de kamertemperatuur

Om de huidige kamertemperatuur te controleren, drukt u enkele seconden op de Plus-knop. De waarde wordt weergegeven op het digitale LED-display (S), terwijl tegelijkertijd de temperatuurindicator (N) wordt weergegeven.

Controle van de luchtvochtigheid in de kamer

Om de huidige luchtvochtigheid in de kamer te controleren, kijkt u naar de waarde die wordt weergegeven door het digitale LED-display (S) of kijkt u naar de waarde die wordt weergegeven door het digitale display aan de voorkant (12). Tegelijkertijd zal de vochtigheidsindicator (O) op de bediening oplichten. paneel (1). Wanneer de huidige luchtvochtigheid in de ruimte de ingestelde relatieve luchtvochtigheid bereikt, gaat de indicator voor de doelvochtigheid (P) branden.

Druk nogmaals op de aan/uit-schakelaar (A) om het apparaat uit te schakelen. Het apparaat stopt met werken. Alleen de aan/uit-indicator (R) knippert om aan te geven dat het apparaat in de stand-bystatus staat. Wanneer het apparaat is ingeschakeld. De stroomindicator (R) brandt.

Het leegmaken van de watertank

1. Indien de watertank (3) vol is of de watertank (3) niet op de juiste plaats is geplaatst, brandt de indicatie watertank vol (Q) op het bedieningspaneel (1) en klinkt de zoemer. Het apparaat stopt automatisch met werken.
2. Wanneer het indicatielampje watertank vol (Q) knippert, stopt het apparaat met werken totdat het waterreservoir leeg is of in de juiste positie staat.
3. Om de watertank (3) te verwijderen, trekt u de watertank voorzichtig naar u toe door de holle delen van de watertank vast te houden. Kijk naar afbeelding 3.
4. Om het waterreservoir (3) te legen, gebruikt u het aan een handvat, kantelt u het vervolgens zoals weergegeven op afbeelding 4 en laat u het water langzaam weglopen. Vervolgens moet u de handgreep plat leggen voordat u de tank (3) voorzichtig terugduwt naar de vorige positie in de behuizing.
5. Van tijd tot tijd moet de watertank (6) van binnen worden schoongemaakt. Om de watertank (3) te openen, past u de positie van de hendel van de watertank aan de vorm aan van de gaten in de twee plastic delen waarop de hendel is gemonteerd en vouwt u beide randen van de hendel voorzichtig uit om de hendel volledig te demonteren. Nu kunt u het deksel van het waterreservoir openen en het waterreservoir schoonmaken met water met afwasmiddel en een zachte doek. Demonteer of til de vlotter (6) niet uit de watertank (3). Kijk naar de afbeelding

Zoemer

Het klinkt gedurende 20 seconden wanneer het waterreservoir (3) tijdens bedrijf wordt verwijderd.

Reiniging en onderhoud

1. Schakel het apparaat uit en haal de stekker uit het stopcontact voordat u met schoonmaken of ander routineonderhoud begint.
2. Om het risico op een elektrische schok te voorkomen, mag u tijdens het reinigen nooit water op de luchtontvochtiger sprenkelen of morsen.
3. Schakel het apparaat uit en leeg het water uit het waterreservoir voordat u het apparaat verplaatst. Zorg ervoor dat u de handgreep vasthoudt terwijl u beweegt.
4. Veeg de behuizing van het apparaat af met een natte, zachte doek.
5. Demonteer de vlotter (6) niet van de watertank (3).
6. Voorafgaand aan een gepland continubedrijf gedurende langere tijd is periodieke controle vereist, vooral voor het gaasluchtfilter (8), het actiefkoolfilter (11) en de afvoerleiding (13) of dergelijke.
7. Om de filters schoon te maken of te vervangen:
 - trek de stekker uit het stopcontact en verwijder het waterreservoir (3)
 - verwijder het filterhuis (9) zoals weergegeven in figuur 5
 - verwijder het gaasluchtfilter (8) uit de behuizing en verwijder voorzichtig het actieve koolfilter (11)
 - trek het HEPA-filter (7) uit het apparaat
 - maak elke twee weken alle drie de filters schoon met een stofzuiger of dep ze lichtjes om ze uit te schudden. De ontvochtigingsprestaties kunnen afnemen als de filters verstopt zijn met vuil
 - plaats de filters terug en monteer het filterhuis (9) weer.
- Als de filters ernstig vervuild zijn, was ze dan in water met een neutraal schoonmaakmiddel, spoel ze goed af met water en laat ze drogen.
8. Maak het apparaat niet schoon met benzine, verdunner of vloeibaar wasmiddel.
9. Vóór langere opslag: bundel het netsnoer, leeg het waterreservoir en veeg het af met een zachte doek, reinig en droog alle filters. Zet het apparaat rechtop om in de toekomst storingen of abnormaal geluid te voorkomen, en vermijd blootstelling aan direct zonlicht.

Problemen oplossen: raadpleeg onderstaande lijst voordat u contact opneemt met de verkoper:

1. Probleem: geen bediening

Controlepunt 1: kijk of de stekker uit het stopcontact is.

Oplossing 1: steek de stekker volledig en veilig in een stopcontact

Controlepunt 2: kijk of de watertank vol water zit

Oplossing 2: Laat het water uit de tank lopen .

Controlepunt 3: kijk of het waterreservoir niet goed op zijn plaats zit .

Oplossing 3: plaats de tank op de juiste manier op het apparaat

Controlepunt 4: kijk of het bovenste deksel van zwart plastic van de luchtuitlaat gesloten is

Oplossing 4: open het bovenste deksel

2. Probleem: de capaciteit van de luchtontvochtiger is klein

Controlepunt 1: kijk of de filters vuil zijn

Oplossing 1: Reinig de filters zoals aangegeven in hoofdstuk Reiniging en onderhoud in punt 7

Controlepunt 2: kijk of de luchtopeningen verstopt zijn

Oplossing 2: verwijder obstakels uit de luchtopeningen

Controlepunt 3: kijk of de luchtontvochtiger in de luchtcirculatiemodus staat

Oplossing 3: Verander de bedrijfsmodus naar de ontvochtigingsmodus

3. Probleem: hard geluid tijdens bediening

Controlepunt 1: controleer of het apparaat correct is geïnstalleerd

Oplossing 1: Installeer het apparaat op een vlakke en stabiele vloer

4. Probleem: gewassen doeken worden niet gedroogd

Controlepunt 1: kijk of gewassen kleding niet wordt blootgesteld aan de lucht uit het apparaat

Oplossing 1: Probeer de gewassen kleding bloot te stellen aan de luchtstroom

Controlepunt 2: kijk of de kamertemperatuur te laag is

Oplossing 2: Gewassen kleding is moeilijk te drogen bij lage temperaturen

Het apparaat werkt correct wanneer het volgende fenomeen zich voordoet:

1. Beschrijving van het fenomeen: De werking stopt af en toe

Reden van het fenomeen: Het apparaat is aan het ontdoeien

2. Beschrijving van het fenomeen: het ontvochtigde volume is klein

Reden van het fenomeen: het volume van de luchtontvochtiger neemt af als de kamertemperatuur laag is.

3. Beschrijving van het fenomeen: De luchtvochtigheid in een ruimte is nog steeds hoog

Reden van het fenomeen: De kamergrootte is mogelijk te groot . De deuren of de ramen van de kamer kunnen geopend en / of gesloten worden

vaak . De luchtontvochtiger wordt gebruikt in de buurt van een petroleumkachel die damp afgeeft .

4. Beschrijving van het fenomeen: Slechte geur tijdens bedrijf

Reden van het fenomeen: Er komt geur uit de muren , meubels of andere voorwerpen .

5. Beschrijving van het fenomeen: Er wordt geluid geproduceerd in het apparaat

Reden van het fenomeen: De circulatie van het koelmiddel kan geluid veroorzaken totdat het stabiel is .

6. Beschrijving van het fenomeen: Er blijft water achter in de watertank

Reden van het fenomeen: Er blijft water achter omdat het apparaat in de fabriek een ontvochtigingstest heeft ondergaan

7. Beschrijving van het fenomeen: De zoemer klinkt

Reden van het fenomeen: De zoemer klinkt als het waterreservoir vol water is .

LET OP: Koudemiddel kan alleen in de fabriek worden bijgevuld.

TECHNISCHE DATA:

Ontvochtigingscapaciteit bij 30°C / 80% RH): 25 liter / 24 uur

Ontvochtigingscapaciteit bij 27°C / 60% RH): 13 liter / 24 uur

Geluidsniveau: <= 48dB (A)

Capaciteit watertank: 6,5 liter

Luchtstroom: 195 m3/uur

Gewicht R290 koelvloeistof: max. 65 gram

Nominaal ingangsvermogen: 320W

Max. Nominaal ingangsvermogen: 420 W

Voeding: 220-240V ~50Hz



Let op, brandgevaar.

NIET doorboren of verbranden.

Houd er rekening mee dat het koelmiddel mogelijk geen geur bevat.

De maximale vulhoeveelheid koelmiddel: 65 g.



We geven om het milieu. We vragen u om de kartonnen verpakkingen te storten bij het oud papier. Polyethyleen zakken (PE) storten in de container voor plastic . Versleten apparatuur afgeven bij het juiste verzamelpunt, als in het apparaat gevaarlijke elementen zitten kan dat een bedreiging zijn voor het milieu. Elektrisch apparatuur moet worden geretourneerd om het hergebruik te verminderen. Als in het apparaat batterijen zitten, horen die verwijderd te worden en apart af te worden gegeven bij het juiste verzamelpunt.

СРПСКИ

ОПШТИ УСЛОВИ СИГУРНОСТИ

ВАЖНЕ БЕЗБЕДНОСНЕ УПУТЕ ПРОЧИТАЈТЕ УПОЗОРЕЊЕ И УШТЕДИТЕ БУДУЋНОСТ

1. Пре употребе уређаја, прочитајте упутство за употребу и следите упутства која се налазе у њему. Произвођач није одговоран за штету насталу употребом уређаја супротно његовој предвиђеној намени или неправилном раду.
2. Уређај је намењен само за кућну употребу. Не употребљавајте у друге сврхе које нису предвиђене.
3. Уређај треба да буде повезан на наизменичну струју са уземљеним 220 240В ~ 50Хз. Да би се повећала оперативна сигурност, више електричних уређаја не би

требало истовремено да буде повезано на један струјни круг.

4. Будите изузетно опрезни када користите уређај када су деца у близини. Не дозволите деци да се играју са уређајем, не дозволите деци или особама које нису упознате са уређајем да га користе.

5. УПОЗОРЕЊЕ: Ову опрему могу користити деца старија од 8 година и особе ограничене физичке, сензорне или менталне способности, или људи који немају искуства или знање о опреми, ако се то ради под надзором одговорне особе ради њихове сигурности или су им одобрени подаци о сигурној употреби уређаја и свесни су опасности употребе уређаја. Деца се не смеју играти са опремом. Чишћење и одржавање уређаја не би требало да раде деца, осим ако су старија од 8 година и ове активности се изводе под надзором.

6. Увек искључите утикач држећи утичницу руком након употребе. НЕ повлачите кабл за напајање.

7. Не урањајте кабл, утикач и цео уређај у воду или било коју другу течност. Не излажите уређај атмосферским условима (киша, сунце итд.) И не користите у условима високе влажности (купатила, влажне мобилне кућице).

8. Повремено проверите стање кабла за напајање. Ако је кабл за напајање оштећен, замените га у специјалном сервису да бисте избегли опасност.

9. Не користите уређај са оштећеним каблом за напајање или ако је пао или оштећен на било који други начин или ако не ради исправно. Не поправљајте уређај сами јер постоји опасност од електричног удара. Оштећени уређај однесите у одговарајући сервисни центар ради провере или поправке. Све поправке смеју обављати само овлашћени сервиси. Неправилно извршени поправки могу озбиљно опасити за корисника.

10. Уређај поставите на хладну и стабилну површину, даље од врућих кухињских уређаја као што су: електрични шпорет, плински горионик итд.

11. Пазите да ништа не блокира довод и излаз ваздуха уређаја

12. Користите уређај само на равној површини како бисте спречили да се кондензат пролије

13. Да бисте обезбедили додатну заштиту, препоручљиво је да у електрични круг инсталирате уређај за заосталу струју (РЦД) са називно заосталом струјом која не прелази 30mA. Питајте за то електричара.

14. Редовно чистите ваздушни филтер. Учесталост чишћења зависи од чистоће ваздуха.

15. Након што искључите машину, сачекајте најмање 5 минута пре него што је поново укључите.

16. За ефикасно одвлаживање влаге, потребно је користити размак од најмање 20 cm између бочних зидова уређаја и компримованог намештаја или завеса.

17. Да бисте избегли ризик од пожара или експлозије, не прскајте сушилицу

18. Да бисте користили делове кућишта, не постављајте овлаживач у близини

грејних уређаја.

19. Уклоните воду сакупљену у резервоару. Случајно конзумирање воде или употреба са другим људима може проузроковати болест.

20. Не подржава уређаје са уклоњеним задњим поклопцем због покретних и врућих делова.

21. Немојте користити средства за одмрзавање или било које друго средство осим оних које је препоручио произвођач.

22. Уређај би требао бити доступан у склопу сталне листе извора паљења, тј. Без отвореног пламена, без радног плинског уређаја или без гријача који ради.

23. Не пробијајте и не пушите.

24. Имајте на уму да произвођачи производа за хлађење можда не садрже мирисе.

Пре прве употребе:

1. Одвлаживач мора се користити на равной и стабилној површини, држати растојања између јединице и других предмета у складу са сликом 1 да би се осигурала одговарајућа ефикасност. Затворите све прозоре и врата собе у којој желите да исушите ваздух.

2. Да бисте спречили да се вода смрзне, не користите одвлаживач и одводно црево на собној температури испод 0 ° Ц

3. Не користите овлаживач зрака напољу. Изложеност директној сунчевој светлости или киши може резултирати прегрејавањем, струјним ударом и пожаром.

4. Не стављајте резервоар за воду на одвлаживач да не би дошло до просипавања воде у уређај и оштећења изолације.

5. Никада не покушавајте да користите овлаживач за посебне намене, као што је одvlaживање хране или чување уметничких предмета или слично.

6. Не користите одвлаживач ваздуха где може доћи до цурења нафте или запаљивог гаса. Не користите уређај на местима која су изложена хемикалијама.

7. За непрекидно одводњавање проверите да ли је одводно црево правилно постављено са нагибом.

8. Пазите да уређај за грејање не буде изложен ветру са уређаја за сушење.

9. Не користите средство за одvlaживање косе као столицу или подлогу за стопала.

10. Не уклањајте ручицу пловка из резервоара за воду.

11. Не блокирајте доводе за ваздух и отворе за ваздух.

12. Не прекривајте јединицу опраном одећом.

Опис производа: AD7863 2у1 Одвлаживач ваздуха и пречистач ваздуха

1. Контролна табла

2. Улаз ваздуха

3. Резервоар за воду 6,5Л

4. Излаз ваздуха

5. Ручка

6. Флоатер

7. ХЕПА ваздушни филтер

8. Мрежаста ваздушни предфилтер који се може прати

9. Кућиште филтера

10. Лампица индикатора влажности

11. Филтер са активним угљем

12. Предњи дигитални дисплеј

13. Отвор за цев за континуирани одвод воде

Контролна табла (1):

А. Прекидач за напајање

В=Б. Дугмад плус и минус

С=Ц. Дугме за тајмер 0-24 сата

Д=Д. Дугме за брзину вентилатора

Е. Дугме режима

Ф=Ф. Индикатор режима суве одеће

Г=Г. Индикатор нормалног режима рада

Х=Х. Индикатор режима циркулације ваздуха

И=И. Индикатор аутоматског режима

Ј. Индикација самоодмрзавања уређаја

К. Индикатор велике брзине вентилатора

Л=Л. Индикатор мале брзине вентилатора

М. Индикатор тајмера

Н=Н. Индикатор температуре

О. Индикатор влажности

П=П. Циљни индикатор влажности

К=К. Индикатор пуног резервоара за воду

Р=Р. Индикатор напајања

С=С. ЛЕД дигитални дисплеј влажности и тајмера и собне температуре

УСЛОВИ КОРИШЋЕЊА

Овај одвлаживач није погодан за одржавање веома ниске влажности од приближно 50 % или мање .

Овај одвлаживач ваздуха је дизајниран да уклони непријатну влагу у свакодневном животу и да се користи за помоћно

сушење опране одеће у затвореном простору . Ово није погодно за одржавање веома ниске влажности .

Нормално је да уређај производи топлоту током рада и собна температура расте за 1Ц до 4Ц, јер овај уређај нема функцију хлађења . Температура постаје виша док се ради у орману или слично . Штавише , собна температура расте јер су врата и прозори затворени, а топлота се производи од других уређаја у просторији и сунчевог зрачења . Овај одвлаживач не може бити применљив за одржавање екстремно ниске температуре. Функција овог одвлаживача је да испумпа непријатну, високу влажност.

ФУНКЦИЈА САМООДМРЗИВАЊА УРЕЂАЈА

Када се мраз накупи на калемовима испаривача унутар уређаја, покреће се функција аутоматског одмрзавања. Тхе компресор ће се искључити и вентилатор ће наставити да ради све док се мраз не уклони. Када уређај ради на собној температури између 5 степени Целзијуса и 12 степени Целзијуса , престаће да се одлеђује око 3 минута сваких 8 минута. Када уређај ради на собној температури између 12 степен Целзијуса и 18 степена Целзијуса , престаће да се одмрзава отприлике 5 минута сваких 25 минута. Када уређај ради на собној температури између 18 степени Целзијуса и 23 степен Целзијуса престаће да се одлеђује на око 5 минута сваких 120 минута. Сачекајте 3 минута пре него што наставите са радом. Након што се компресор заустави, не може поново да покрене рад док не прође 3 минута. Индикатор (J) на контролној табли (1) светли све време док је самоодмрзавање активно.

ВАЖНО!

И функција одвлаживања и функција чишћења ваздуха се заустављају током операције одмрзавања .
Не искључујте утикач уређаја и не искључујте уређај током одмрзавања .

Капацитет одвлаживања

1. Дневни капацитет одвлаживања одвлаживача зависи од собне температуре и релативне влажности. На различитим температурама и релативној влажности, може имати различит капацитет одвлаживања.
2. На истој собној температури, капацитет одвлаживања је већи при вишој релативној влажности, а капацитет одвлаживања је мањи при нижој релативној влажности. При истој релативној влажности, капацитет одвлаживања је већи на вишој температури, а капацитет одвлаживања је мањи на нижој температури.
3. Ако је одвлаживач постављен у кабинет, његов капацитет одвлаживања може се значајно смањити у кратком периоду након рада због влажности у кабинету која је јако смањена.
4. За 30°Ц/27°Ц собне температуре и 80%/60% релативне влажности, капацитет одвлаживања износи око 25/13 литара воде када је излаз ваздуха потпуно отворен.

Систем за пречишћавање ваздуха - 3-степен филтрација

Систем је дизајниран за уклањање честица загађивача и непријатних мириса у ваздуху. Уређај укључује следеће филтере:

1. Режести предфилтер за ваздух који се може прати (8): користите за филтрирање прашине и длака у ваздуху.
2. Филтер са активним угљем: уклоните мирис изазван нпр. цигаретом, кућним љубимцем, итд.
3. ХЕПА филтер Х13: Филтрира прашину, честице загађивача и освежава ваздух. ХЕПА Х13 филтер ефикасно задржава 99,95% честица загађивача величине до 0,3 микрона у ваздуху који тече. ХЕПА Х13 филтер је погодан за пречишћавање ваздуха за алергичаре.

Операција

1. Поставите уређај усправно да бисте избегли промашај рада и необичан звук. Одржавајте растојање између других објеката као што је приказано на слици 1.
2. ХЕПА филтер (7) је упакован у полиетиленске кесе, молимо вас да уклоните полиетилену кесу пре употребе.
3. Отворите црни поклопац на врху уређаја да ваздух лако изађе.
4. Укључите уређај, прекидач за напајање (А) трепери на контролној табли (1), притисните га да бисте укључили уређај. Дигитални дисплеј (С) ће показати тренутни ниво влажности у просторији. Истовремено ће се упалити индикатор влажности (10) на предњој горњој ивици уређаја.
Током рада, индикатор влажности показује тренутни ниво влажности у просторији:
 - Плава боја означава ниску влажност испод 50% релативне влажности
 - Зелена боја означава средњу влажност у распону од 51% - 69% релативне влажности
 - Црвена боја означава високу влажност преко 70% релативне влажностиИмајте на уму да вредност релативне влажности има толеранцију од 3% када се упали одговарајућа индикаторска лампица.
5. Притисните дугме за режим рада (Е) у циклусу да бисте изабрали жељени режим рада између:
 - Режим суве одеће – једном притисните дугме за режим (Е), индикатор (Ф) ће се упалити. Да би брзо испунио функцију, компресор ради непрекидно без заустављања, осим у случају да је резервоар за воду (3) пун. Вентилатор има велику брзину све време.
 - Нормалан режим рада – поново притисните дугме за режим рада (Е), индикатор (Г) ће се упалити. У нормалном раду компресор ради. Корисник може подесити жељени ниво влажности притиском на дугмад плус и минус (3). Подешени опсег

влажноти је: 30%-80% са кораком од 5%. Када достигне циљну влажност, компресор престаје да ради. Вентилатор се може подесити и на: велику и малу брзину према вашим потребама. За избор брзине вентилатора између ниске и високе, притисните дугме (Д), засветлеће одговарајући индикатор (К) за велику брзину и (Л) за малу брзину.

- Режим циркулације ваздуха – поново притисните дугме за режим (Е), индикатор (Х) ће се упалити. У овом режиму компресор не ради, ради само вентилатор. Можете подесити брзину вентилатора између: ниске и велике брзине према вашим потребама.

- Аутоматски режим — поново притисните дугме за режим (Е), индикатор (И) ће се упалити. У овом режиму, подразумевана циљна влажност је 55%. Када влажност у просторији достигне 55%, компресор престаје да ради, вентилатор наставља да ради само. Када је влажност у просторији већа од 55%, компресор поново почиње да ради.

У случају нестанка струје уређај има меморијску функцију и може да запамти последње подешавање.

Континуирана функција дренаже

1. Ако је потребно да одвлажите ваздух дуже време, можете користити функцију континуираног одводњавања.

2. Пре непрекидног рада током дужег трајања, потребна је периодична провера посебно за филтер за чист ваздух, одводну цев или слично.

3. Скините резервоар за воду (3) из првобитног положаја, уметните причвршћену цев на рупу за континуирани одвод воде (13)

приказано на слици 5.

4. Када подесите циљну влажност под нормалним режимом одвлаживања, можете подесити: 30-35-40-45-50-55-60-65-70-75-80%-ЦО-30% и тако даље. „ЦО“ значи континуирани режим одвлаживања. У овом режиму брзина вентилатора може да се бира између мале или велике брзине.

5. Након завршетка континуираног одвлаживања, раставите цев, поставите резервоар за воду (3) на првобитно место и искључите уређај.

Одводно црево: дужина: 30 цм, унутрашњи пречник: 17 мм, спољашњи пречник: 19 мм.

Рад тајмера - Функција одлагања заустављања

Да бисте подесили функцију тајмера ОФФ - ДЕЛАИ СТОП користите дугме тајмера (Ц).

Функција искључивања тајмера може се подесити када уређај ради. Притисните дугме тајмера (Ц), индикатор тајмера (М) ће се упалити. ЛЕД дигитални дисплеј (С) светли и појављује се „00“, требало би да притиснете тастере плус или минус (Б) да изаберете жељено време за искључивање уређаја. Након што је тајмер подешен, време ће се приказати на 5 секунди и запамтити. Када је тајмер подешен, за проверу са левим временом притисните дугме тајмера (Ц). Уређај ће се аутоматски искључити након подешавања времена. За ресетовање функције тајмера потребно је континуирано притискање дугмета тајмера (Ц) док вредност времена трепери, вредност времена ће се променити на нулу. Распон тајмера је од 1 до 24 сата са интервалом од 1 сата.

Провера собне температуре

Да бисте проверили тренутну температуру просторије, притисните дугме Плус неколико секунди, када ће вредност бити приказана на ЛЕД дигиталном дисплеју (С), истовремено ће се приказати индикатор температуре (Н).

Провера влажности у просторији

Да бисте проверили тренутну влажност у просторији, погледајте вредност приказану на ЛЕД дигиталном дисплеју (С) или погледајте вредност приказану на предњем дигиталном дисплеју (12), у исто време индикатор влажности (О) ће се упалити на команди панел (1). Када тренутна влажност у просторији достигне подешену релативну влажност, циљни индикатор влажности (П) ће се упалити.

Поново притисните прекидач за напајање (А) да бисте искључили уређај, уређај престаје да ради, само индикатор напајања (Р) ће трептати да би обавестио да је уређај у стању приправности. Када је уређај укључен. Индикатор напајања (Р) светли.

Празњење резервоара за воду

1. Ако је резервоар за воду (3) пун или резервоар за воду (3) није инсталиран у исправном положају, индикатор пуне воде (К) светли на контролној табли (1), чује се зујалица. Уређај ће аутоматски прекинути рад.

2. Када индикаторска лампица пуног резервоара за воду (К) трепери, уређај престаје да ради све док се резервоар за воду не испразни или не постави у исправан положај.

3. Да бисте уклонили резервоар за воду (3), нежно повуците резервоар за воду према себи држећи конкавне делове резервоара за воду. Погледајте слику 3.

4. Да бисте испразнили резервоар за воду (3), користите ручку за ношење, затим га нагните као што је приказано на слици 4 и полако испустите воду. Затим, треба да положите ручицу равно пре него што лагану гурнете резервоар (3) у претходни положај унутар кућишта.

5. С времена на време резервоар за воду (6) треба да се очисти изнутра. Да бисте отворили резервоар за воду (3), подесите

положај ручке резервоара за воду у облику рупа у два пластична дела на која је ручка састављена и лагано проширите обе ивице ручке да бисте потпуно раставили ручку. Сада можете отворити поклопац резервоара за воду и очистити резервоар водом сапуном за суђе и меком крпом. Немојте растављати или подизати пловак (6) из резервоара за воду (3). Погледај слику

Зујалица

Чује се 20 секунди када се резервоар за воду (3) извади током рада.

Чишћење и одржавање

1. Искључите уређај и извучите утикач из утичнице пре почетка било каквог чишћења или другог рутинског одржавања.
2. Да бисте избегли ризик од струјног удара, никада не прскајте или просипајте воду по одвлаживачу током чишћења.
3. Искључите уређај и испразните воду из резервоара за воду пре него што померите уређај. Обавезно држите ручку док се крећете.
4. Обришите кућиште уређаја мокром и меком крпом.
5. Не растављајте пловак (6) из резервоара за воду (3).
6. Пре планираног континуираног рада током дужег трајања, потребна је периодична провера посебно за мрежаст филтер за ваздух (8), филтер са активним угљем (11) и одводну цев (13) или слично.
7. Да бисте очистили или заменили филтере:
 - извучите утикач и извадите резервоар за воду (3)
 - уклоните кућиште филтера (9) као што је приказано на слици 5
 - извадите мрежаст филтер за ваздух (8) из кућишта и нежно уклоните филтер са активним угљем (11)
 - извучите ХЕПА филтер (7) из уређаја
 - сваке две недеље очистите сва три филтера усисивачем или их лагано тапкајте да бисте их истресли. Перформансе одвлаживања могу се смањити ако су филтери зачепљени прљавштином
 - вратите филтере и поново саставите кућиште филтера (9).Ако су филтери озбиљно закрљани, оперите у води укључујући неутрални детерџент, добро исперите водом и оставите док се не осуши.
8. Не чистите уређај бензином, разређивачем или течним детерџентом.
9. Пре дужег складиштења: спојите кабл за напајање, испразните резервоар за воду и обришите га меком крпом, очистите и осушите све филтере. Поставите уређај усправно да бисте избегли квар или ненормалан звук у будућности, избегавајте излагање директној сунчевој светлости.

Решавање проблема: проверите доњу листу пре него што контактирате продавца:

1. Проблем: нема операције

Контролна тачка 1: проверите да ли је утикач искључен.

Решење 1: укључите утикач у електричну утичницу потпуно и безбедно

Контролна тачка 2: проверите да ли је резервоар за воду пун воде

Решење 2: Испразните воду из резервоара .

Контролна тачка 3: проверите да ли резервоар за воду није правилно постављен .

Решење 3: Поставите резервоар на уређај исправно у положај

Контролна тачка 4: проверите да ли је горњи поклопац од црне пластике за излаз ваздуха затворен

Решење 4: отворите горњи поклопац

2. Проблем: капацитет одвлаживача је мали

Контролна тачка 1: проверите да ли су филтери прљави

Решење 1: Очистите филтере као што је наведено у поглављу Чишћење и одржавање у тачки 7

Контролна тачка 2: проверите да ли су отвори за ваздух запушени

Решење 2: уклоните препреке из отвора за ваздух

Контролна тачка 3: проверите да ли је одвлаживач у режиму циркулације ваздуха

Решење 3: Промените режим рада у режим одвлаживања

3. Проблем: гласан звук током рада

Контролна тачка 1: проверите да ли је уређај правилно инсталиран

Решење 1: Поставите уређај на раван и стабилан под

4. Проблем: опране крпе се не суше

Контролна тачка 1: проверите да ли опрана одећа није изложена ваздуху из уређаја

Решење 1: Покушајте да изложите опрану одећу струјању ваздуха

Контролна тачка 2: проверите да ли је собна температура прениска

Решење 2: Опрану одећу је тешко сушити под условима ниске температуре

Уређај ради исправно када дође до следећег феномена:

1. Опис феномена: Рад повремено престаје

Разлог појаве: Уређај се одмрзава

2. Опис феномена: Одвлажена запремина је мала

Разлог за појаву: Запремина одвлаживача је мања када је собна температура ниска.

3. Опис феномена: Влажност у просторији је и даље висока

Разлог за појаву: Величина собе је можда превелика . Врата или прозори собе могу се отворити и / или затворити често . Одвлаживач се користи у близини керозинског грејача који емитује пару .

4. Опис феномена: Лош мирис током рада

Разлог за појаву: Мирис се емитује из зидова , намештаја или других предмета .

5. Опис феномена: Звук се производи унутар уређаја

Разлог за појаву: Циркулација расхладног средства може изазвати звук док се не стабилизује .

6. Опис феномена: Вода је остала у резервоару за воду

Разлог појаве: Вода је остављена јер је уређај подвргнут тесту одвлаживања у фабрици

7. Опис феномена: зујалица

Разлог за појаву: зујалица се оглашава када је резервоар за воду пун воде .

ОПРЕЗ: Расхладно средство се може пунити само у фабрици.

ТЕХНИЧКИ ПОДАЦИ:

Капацитет одвлаживања на 30°C / 80% РХ): 25 литара / 24 сата

Капацитет одвлаживања на 27°C / 60% РХ): 13 литара / 24 сата

Ниво буке: <= 48дБ (А)

Капацитет резервоара за воду: 6,5 литара

Проток ваздуха: 195 м3 / сат

Р290 тежина расхладне течности: мак. 65 грама

Називна улазна снага: 320W

Макс. Називна улазна снага: 420W

Напајање: 220-240V ~50Hz



Опрез, опасност од пожара

НЕ бушите и не палите.

Имајте на уму да расхладно средство можда не садржи мирис.

Максимална количина пуњења расхладног средства: 65г.



За заштиту животне средине: молимо вас да одвојите картонске кутије и пластичне кесе и одложите их у одговарајуће канте за смеће. Коришћени уређај треба да буде испоручен на наменске сакупљане тачке због оштрих компоненти, што може утицати на животну средину. Немојте одлагати овај уређај у заједничку корпу за отпатке.

SVENSKA

ALLMÄNNA SÄKERHETSVILLKOR

VIKTIGA SÄKERHETSINSTRUKTIONER LÄS NU OCH SPARA FÖR FRAMTID

1. Läs bruksanvisningen innan du använder enheten och följ instruktionerna i den. Tillverkaren ansvarar inte för skador orsakade av att använda enheten i strid med dess avsedda syfte eller felaktig användning.
2. Enheten är endast avsedd för hemmabruk. Använd inte för andra ändamål som inte är avsedda för det.
3. Enheten ska endast anslutas till ett vägguttag med ett jordat 220 240V ~ 50Hz. För att öka driftsäkerheten bör flera elektriska enheter inte anslutas till en strömkrets samtidigt.
4. Var försiktig när du använder enheten när barn är i närheten. Låt inte barn leka med enheten, låt inte barn eller personer som inte känner till enheten använda den.
5. **WARNING:** Denna utrustning får användas av barn över 8 år och personer med begränsad fysisk, sensorisk eller mental förmåga, eller personer som inte har erfarenhet eller kunskap om utrustningen, om detta görs under övervakning av en ansvarig person för deras säkerhet eller har fått dem information om säker användning av enheten och är medvetna om farorna med att använda den. Barn ska inte leka med

- utrustningen. Rengöring och underhåll av enheten bör inte utföras av barn, såvida de inte är över 8 år gamla och dessa aktiviteter utförs under övervakning.
6. Koppla alltid ur nätkontakten genom att hålla uttaget med handen efter användning. Dra inte i nätsladden.
 7. Sänk inte ned kabeln, kontakten och hela enheten i vatten eller någon annan vätska. Utsätt inte enheten för atmosfäriska förhållanden (regn, sol, etc.) eller användning vid förhållanden med hög luftfuktighet (badrum, fuktiga husbilar).
 8. Kontrollera regelbundet nätkabelns tillstånd. Om nätsladden är skadad bör den bytas ut av en specialistverkstad för att undvika fara.
 9. Använd inte apparaten med en skadad nätsladd eller om den har tappats eller skadats på något annat sätt eller om den inte fungerar korrekt. Reparera inte enheten själv eftersom det finns risk för elektrisk stöt. Ta den skadade enheten till ett lämpligt servicecenter för kontroll eller reparation. Alla reparationer får endast utföras av auktoriserade servicepunkter. Felaktigt utförda reparationer kan orsaka allvarlig fara för användaren.
 10. Placera enheten på en sval, stabil yta, borta från heta köksapparater som: elektrisk spis, gasbrännare, etc.
 11. Se till att ingenting blockerar luftinloppet och utloppet på enheten
 12. Använd enheten endast på en jämn yta för att förhindra att kondensen spinner ut
 13. För att ge ytterligare skydd rekommenderas det att installera en restströmsenhet (RCD) i den elektriska kretsen med en nominell restström som inte överstiger 30 mA. Fråga en elektriker för detta.
 14. Rengör luftfiltret regelbundet. Rengöringsfrekvensen beror på luftens renhet.
 15. När du har stängt av maskinen, vänta minst 5 minuter innan du slår på den igen.
 16. För effektiv avfuktning bör ett gap på minst 20 cm användas mellan enhetens sidoväggar och de komprimerade möblerna eller gardinerna.
 17. Spraya inte torktumblaren för att undvika risken för brand eller explosion
 18. Placera inte avfuktaren nära värmeenheter för att använda husdelarna.
 19. Ta bort vattnet som samlats upp i tanken. Att oavsiktligt dricka vatten eller använda det med andra människor kan orsaka sjukdom.
 20. Stöder inte enheter med bakstycket borttaget på grund av rörliga och heta delar.
 21. Använd inte något sätt för att utföra upptinings- eller driftsprocessen annat än de som rekommenderas av tillverkaren.
 22. Enheten bör vara tillgänglig som en del av en permanent lista över antändningskällor, dvs utan öppen låga, utan en arbetsgasanordning eller utan en arbetsapparatvärmare.
 23. Gör inte hål eller rök inte.
 24. Observera att kyltillverkarna kanske inte innehåller doft.

Före första användningen:

1. Avfuktaren måste användas på en plan och stabil yta, hålla avstånd mellan enhet och andra föremål enligt bild 1 för att säkerställa

- lämplig effektivitet. Stäng alla fönster och dörrar i rummet du vill avfukta luften.
- Använd inte avfuktaren och dräneringsslangen vid omgivningstemperatur under 0 ° C för att förhindra att vattnet fryser.
 - Använd inte avfuktaren utanför. Exponering för direkt solljus eller regn kan leda till överhettning, elektrisk stöt och eld.
 - Lägg inte vattentanken på avfuktaren för att undvika att vatten spill i enheten inuti och försämrar isoleringen.
 - Försök aldrig använda avfuktaren för speciellt bruk, till exempel avfuktning eller konservering av konstföremål eller liknande.
 - Använd inte avfuktaren där olja eller brännbar gas kan läcka ut. Använd inte enheten på platser som är kemiska.
 - För kontinuerlig dränering, se till att dräneringsslangen är korrekt inställd med lutning.
 - Var försiktig så att en värmeapparat inte utsätts för vinden från avfuktaren.
 - Använd inte avfuktaren som en stol eller en fotpall.
 - Ta inte bort flottörspaken från vattentanken.
 - Blockera inte luftintag och luftuttag.
 - Täck inte enheten med tvättade kläder. 1. Om du behöver avfukta luften under lång tid kan du använda funktionen för kontinuerlig dränering.

Produktbeskrivning: AD7863 2in1 Luftavfuktare & Luftrenare

- | | |
|---|----------------------------|
| 1. Kontrollpanel | 2. Luftintag |
| 3. Vattentank 6,5L | 4. Luftutlopp |
| 5. Handtag | 6. Floater |
| 7. HEPA luftfilter | 8. Tvättbart nätluftfilter |
| 9. Filterhuset | 10. Fuktindikatorlampa |
| 11. Aktivt kolfilter | 12. Digital display fram |
| 13. Hål för rör till kontinuerligt vattenavlopp | |

Kontrollpanel (1):

- | | |
|--|---|
| A. Strömbrytare | B. Plus- och minusknappar |
| C. Timer 0-24 timmar knapp | D. Fläkthastighetsknapp |
| E. Lägesknapp | F. Lägeindikator för torra kläder |
| G. Normal driftlägesindikator | H. Luftcirkulationslägesindikator |
| I. Indikator för automatisk läge | J. Indikering för självavfrostning av enheten |
| K. Fläkt höghastighetsindikator | L. Fläkt låghastighetsindikator |
| M. Timerindikator | N. Temperaturindikator |
| O. Fuktighetsindikator | P. Målfuktighetsindikator |
| Q. Indikator för full vattentank | R. Strömindikator |
| S. LED digital visning av luftfuktighet och timer och rumstemperatur | |

ANVÄNDARVILLKOR

Denna avfuktare är inte lämplig för att hålla en mycket låg luftfuktighet på cirka 50 % eller mindre .

Denna avfuktare är designad för att avlägsna obehaglig fukt i det dagliga livet och för att användas för extra torkning av tvättade kläder inomhus . Detta är inte lämpligt för att hålla luftfuktigheten mycket låg .

Det är normalt att enheten producerar värme under driften och rumstemperaturen stiger med 1C till 4C, eftersom denna enhet inte har kylfunktion . Temperaturen blir högre medan den drivs i en garderob eller liknande . Dessutom stiger rumstemperaturen eftersom dörrar och fönster stängs och värme produceras från andra apparater i rummet och solinstrålningen . Denna avfuktare kan inte användas för att hålla extremt låg temperatur. Denna avfuktarens funktion är att pumpa bort den obehagliga, höga luftfuktigheten.

ENHETENS SJÄLVAVFROSTNINGSFUNKTION

När frosten byggs upp på förångarslingorna inuti enheten startas den automatiska avfrostningsfunktionen. De kompressorn stängs av och fläkten fortsätter att gå tills frosten är borta. När enheten är igång i en rumstemperatur mellan 5 grader Celsius och 12 grader Celsius kommer den att sluta avfrostas i cirka 3 minuter var 8:e minut . När enheten körs i en rumstemperatur mellan 12 grader Celsius och 18 grad Celsius kommer den att sluta tina i ungefär 5 minuter var 25:e minut. När enheten körs i en rumstemperatur mellan 18 grader Celsius och 23 grad av Celsius den slutar avfrostas i cirka 5 minuter var 120:e minut. Vänta 3 minuter innan du återupptar driften. Efter att kompressorn har stannat kan den inte starta om driften tills 3 minuter har gått. Indikatorn (J) på kontrollpanelen (1) lyser så länge självavfrostning är aktiv.

VIKTIG !

Både avfuktningfunktionen och luftreningsfunktionen stoppas under avfrostningsprocessen .
Dra inte ur kontakten till enheten och stäng inte av enheten under avfrostning .

Avfuktningkapacitet

1. Avfuktarens dagliga avfuktningskapacitet beror på rumstemperatur och relativ luftfuktighet. Vid olika temperaturer och relativ luftfuktighet kan den ha olika avfuktningskapacitet.
2. I samma rumstemperatur är avfuktningskapaciteten högre vid högre relativ fuktighet och avfuktningskapaciteten är lägre vid lägre relativ fuktighet. I samma relativa luftfuktighet är avfuktningskapaciteten högre vid högre temperatur och avfuktningskapaciteten är lägre vid lägre temperatur.
3. Om avfuktaren placeras i skåpet kan dess avfuktningskapacitet minska kraftigt under en kort period efter drift på grund av att fuktigheten i skåpet har minskat kraftigt.
4. För 30°C / 27°C rumstemperatur och 80% / 60% relativ luftfuktighet är avfuktningskapaciteten cirka 25 /13 liter vatten när luftutloppet är helt öppet.

Luftreningssystem - 3-steps filtrering

Systemet är utformat för att ta bort förorenande partiklar och lukter i luften. Enheten inkluderar följande filter:

1. Tvättbart luftförfilter (8): använd för att filtrera damm och hår i luften.
2. Aktivt kolfilter: ta bort en lukt som orsakas av t.ex. cigarett, husdjur etc.
3. HEPA-filter H13: Det filtrerar damm, förorenande partiklar och fräschar upp luften. HEPA H13-filtret håller effektivt kvar 99,95 % av förorenande partiklar i storlek upp till 0,3 mikron i den strömmande luften. HEPA H13-filter är lämpligt för luftrening för allergiker.

Drift

1. Placera enheten upprätt för att undvika missbruk och ovanligt ljud. Håll avstånd mellan andra föremål som visas på bild 1.
2. HEPA-filtret (7) är förpackat i polypåsar, ta bort polypåsen innan användning.
3. Öppna det svarta locket på enhetens ovasida så att luften lätt kan komma ut.
4. Anslut enheten, strömbrytaren (A) blinkar på kontrollpanelen (1), tryck på den för att slå på enheten. Den digitala displayen (S) visar aktuell luftfuktighetsnivå i rummet. Samtidigt tänds luftfuktighetsindikatorn (10) på enhetens framkant.

Under drift visar luftfuktighetsindikeringslampan aktuell luftfuktighetsnivå i rummet:

- Blå färg betyder låg luftfuktighet under 50 % relativ luftfuktighet
- Grön färg betyder medelhög luftfuktighet inom intervallet 51% - 69% relativ luftfuktighet
- Röd färg betyder hög luftfuktighet över 70 % relativ luftfuktighet

Observera att den relativa luftfuktigheten har en tolerans på 3 % när motsvarande indikeringslampan lyser.

5. Tryck på lägesknappen (E) i cykel för att välja önskat driftläge mellan:

- Torka kläder-läge – tryck på lägesknappen (E) en gång, indikatorn (F) tänds. För att få snabb funktionsuppfyllelse arbetar kompressorn kontinuerligt utan stopp, förutom i det fall vattentanken (3) är full. Fläkten håller hög hastighet hela tiden.
- Normalt driftläge – tryck på lägesknappen (E) igen, indikatorn (G) tänds. Under normal drift fungerar kompressorn. Användaren kan ställa in målfuktighetsnivån genom att trycka på plus- och minusknapparna (3). Inställt luftfuktighetsområde är: 30%-80% med 5% steg. När målfuktigheten når upphör kompressorn att fungera. Fläkten kan ställas in på både: hög och låg hastighet efter ditt behov. För att välja fläkthastighet mellan låg och hög, tryck på knappen (D), motsvarande indikator (K) för hög hastighet och (L) för låg hastighet tänds.
- Luftcirkulationsläge – tryck på lägesknappen (E) igen, indikatorn (H) tänds. I detta läge fungerar inte kompressorn, det är bara fläktdrift. Du kan justera fläkthastigheten mellan: låg och hög hastighet efter dina behov.
- Automatiskt läge — tryck på lägesknappen (E) igen, indikatorn (I) tänds. I det här läget är standardmålfuktigheten 55 %. När luftfuktigheten i rummet når 55 % slutar kompressorn att fungera, fläkten fortsätter bara att fungera. När luftfuktigheten i rummet är högre än 55 % börjar kompressorn att fungera igen.

Vid strömavbrott har enheten minnesfunktion och den kan komma ihåg den senaste installationen.

Kontinuerlig dräneringsfunktion

1. Om du behöver avfukta luften under en längre tid kan du använda den kontinuerliga dräneringsfunktionen.
2. Före kontinuerlig drift under lång tid krävs periodisk kontroll, speciellt för luftreningssystemet, avloppsriöret eller liknande.
3. Ta bort vattentanken (3) från utgångsläget, sätt in det bifogade röret i hålet för kontinuerlig vattendränering (13) visas på bild 5.
4. När du ställer in målfuktighet i normalt avfuktningsläge kan du ställa in: 30-35-40-45-50-55-60-65-70-75-80%-CO-30% och så vidare. "CO" betyder kontinuerligt avfuktningsläge. I detta läge kan fläkthastigheten väljas mellan låg hastighet eller hög hastighet.
5. Efter avslutad kontinuerlig avfuktning, demontera röret, placera vattentanken (3) på sin ursprungliga plats och stäng av enheten. Avloppsslang: längd: 30 cm, innerdiameter: 17 mm, utvärdig diameter: 19 mm.

Timerdrift - Fördrojd stoppfunktion

Använd timerknappen (C) för att ställa in Timer AV-funktionen - DELAY STOP.

Timer av-funktionen kan ställas in när enheten är igång. Tryck på Timer-knappen (C), timerindikeringslampan (M) tänds. Den digitala LED-displayen (S) tänds och "00" visas, tryck på plus- eller minusknapparna (B) för att välja önskad tid för enheten att stängas av. Efter att timern har ställts in kommer tiden att visas i 5 sekunder och kom ihåg. När timern är inställd, för att kontrollera med vänster tid, tryck på timerknappen (C). Enheten stängs av automatiskt efter att den konfigurerade tiden gått. För att återställa timerfunktionen

måste du kontinuerligt trycka på timerknappen (C) medan tidsvärdet blinkar, tidsvärdet kommer att ändras till noll. Timerintervallet är från 1 till 24 timmar med ett intervall på 1 timme.

Kontroll av rumstemperatur

För att kontrollera med aktuell rumstemperatur, tryck på plusknappen i några sekunder, när värdet visas på LED digital display (S), samtidigt kommer temperaturindikatorn (N) att visas.

Kontroll av luftfuktighet i rummet

För att kontrollera med aktuell rumsfuktighet, titta på värdet som visas av LED digital display (S) eller titta på värdet som visas av den främre digitala displayen (12), samtidigt tänds fuktighetsindikatorn (O) på kontrollen panel (1). När den aktuella rumsfuktigheten nått den inställda relativa luftfuktigheten kommer målfuktighetsindikatorn (P) att tändas.

Tryck på strömbrytaren (A) igen för att stänga av enheten, enheten slutar fungera, bara strömindikatorn (R) blinkar för att informera om att enheten är i standby-status. När enheten är påslagen. Strömindikatorn (R) lyser.

Tömning av vattentanken

1. Om vattentanken (3) är full eller vattentanken (3) inte är installerad i korrekt läge, tänds indikeringen för full vattentank (Q) på kontrollpanelen (1), summern ljuder. Enheten kommer att stoppa driften automatiskt.
2. När indikatorlampan för full vattentank (Q) blinkar, stoppar enheten driften tills vattentanken är tom eller inställd i rätt läge.
3. För att ta bort vattentanken (3) dra vattentanken försiktigt mot dig genom att hålla i de konkava delarna av vattentanken. Titta på bild 3.
4. För att tömma vattentanken (3), använd ett handtag för att bära den, luta den sedan som visas på bild 4 och töm ut vattnet långsamt. Sedan bör du lägga handtaget plant innan du försiktigt trycker tillbaka tanken (3) till sin tidigare position inuti huset.
5. Då och då behöver vattentanken (6) rengöras inuti. För att öppna vattentanken (3), justera läget för vattentankens handtag till formen av hål i två plastdelar som handtaget är monterat till och expandera båda kanterna av handtaget försiktigt för att ta isär handtaget helt. Nu kan du öppna vattentankens lock och rengöra vattentanken med vatten med diskmedel och mjuk trasa. Ta inte isär eller lyft inte flottören (6) från vattentanken (3). Titta på bilden

Summer

Det ljuder i 20 sekunder när vattentanken (3) tas ut under drift.

Städning och underhåll

1. Stäng av enheten och dra ur strömkontakten innan du påbörjar någon rengöring eller annat rutinunderhåll.
 2. För att undvika risken för elektriska stötar, strö eller spill aldrig vatten på avfuktaren vid rengöring.
 3. Stäng av enheten och töm vattnet ur vattentanken innan du flyttar enheten. Se till att hålla i handtaget när du rör dig.
 4. Torka av enhetens hölje med en våt och mjuk trasa.
 5. Demontera inte flottören (6) från vattentanken (3).
 6. Före planerad kontinuerlig drift under lång tid krävs periodisk kontroll speciellt för nätlufffiltret (8), aktivt kolfilter (11) och avloppsroret (13) eller liknande.
 7. För att rengöra eller byta ut filtren:
 - dra ur kontakten och ta ut vattentanken (3)
 - ta bort filterhuset (9) som visas i figur 5
 - ta bort nätlufffiltret (8) från huset och ta försiktigt bort det aktiva kolfiltret (11)
 - Dra ut HEPA-filtret (7) från enheten
 - varannan vecka, rengör alla tre filtren med en dammsugare eller klappa lätt på dem för att skaka ur dem. Avfuktningens prestanda kan minska om filtren är igensatta av smuts
 - sätt tillbaka filtren och sätt ihop filterhuset (9) igen.
- Om filtren är allvarligt nedsmutsade, tvätta i vatten inklusive neutralt rengöringsmedel, skölj väl med vatten och låt det torka.
8. Rengör inte enheten med bensin, thinner eller flytande rengöringsmedel.
 9. Före längre förvaring: bunta ihop nätsladden, töm vattentanken och torka av den med en mjuk trasa, rengör och torka alla filter. Ställ enheten upprätt för att undvika funktionsfel eller onormalt ljud i framtiden, undvik exponering för direkt solljus.

Felsökning: kontrollera med listan nedan innan du kontaktar säljaren:

1.Problem: ingen operation

Kontrollpunkt 1: se om nätkontakten är urkopplad.

Lösning 1: Sätt i kontakten i ett eluttag helt och säkert

Kontrollpunkt 2: se om vattentanken är full med vatten

Lösning 2: Töm vattnet ur tanken .

Kontrollpunkt 3: se om vattentanken inte är korrekt inställd .

Lösning 3: Ställ tanken till enheten korrekt på plats

Kontrollpunkt 4: se om det övre locket av svart plast eller luftutloppet är stängt

Lösning 4: öppna locket

2. Problem: avfuktarens kapacitet är liten

Kontrollpunkt 1: se om filtren är smutsiga

Lösning 1: Rengör filtren enligt anvisningarna i kapitlet Rengöring och underhåll i punkt 7

Kontrollpunkt 2: se om luftöppningarna är blockerade

Lösning 2: ta bort hinder från luftöppningarna

Kontrollpunkt 3: se om avfuktaren är i luftcirkulationsläge

Lösning 3: Ändra driftläge till avfuktningläge

3. Problem: högt ljud under drift

Kontrollpunkt 1: kontrollera om enheten är korrekt installerad

Lösning 1: Installera enheten på ett plant och stabilt golv

4. Problem: tvättade trasor torkas inte

Kontrollpunkt 1: se om tvättade kläder inte utsätts för luften från enheten

Lösning 1: Försök att utsätta de tvättade kläderna för luftflödet

Kontrollpunkt 2: se om rumstemperaturen är för låg

Lösning 2: Tvättade kläder är svåra att torka under låga temperaturer

Enheten fungerar korrekt när följande fenomen inträffar:

1.Fenomenbeskrivning: Driften stannar då och då

Orsak till fenomenet: Apparaten avfrostar

2.Fenomenbeskrivning: Avfuktad volym är liten

Orsak till fenomenet: Avfuktarens volym mindre när rumstemperaturen är låg.

3.Fenomenbeskrivning: Luftfuktigheten i ett rum är fortfarande hög

Orsak till fenomenet: Rumsstorleken kan vara för stor . Dörrarna eller fönstren i rummet kan öppnas och / eller stängas

ofta . Avfuktaren används nära en fotogenvärmare som avger ånga .

4.Fenomenbeskrivning: Dålig lukt under drift

Orsak till fenomenet: Lukt avges från väggar, möbler eller andra föremål .

5.Fenomenbeskrivning: Ljud produceras i enheten

Orsak till fenomenet: Cirkulation av köldmediet kan orsaka ljud tills det är stabilt .

6.Fenomenbeskrivning: Vatten finns kvar i vattentanken

Orsak till fenomenet: Vattnet lämnas kvar eftersom enheten utsätts för avfuktningstest på fabriken

7.Fenomenbeskrivning: Summern ljuder

Orsak till fenomenet: Summern ljuder när vattentanken är full med vatten .

WARNING: Köldmediet kan endast fyllas på fabriken.

TEKNISK DATA:

Avfuktningkapacitet vid 30°C / 80 % RH: 25 liter / 24 timmar

Avfuktningkapacitet vid 27°C / 60 % RH: 13 liter / 24 timmar

Ljudnivå: <= 48dB (A)

Vattentankens kapacitet: 6,5 liter

Luftflöde: 195 m³/timme

R290 kylvätskevik: max. 65 gram

Nominell ineffekt: 320W

Max. Nominell ineffekt: 420W

Strömförsörjning: 220-240V ~50Hz



Vi sköter om miljön. Överlämna förpackningar i kartong till pappersavfall. Polyetylensäckar (PE) slängs i avfallsbehållare för plast. Man bör lämna en gammal apparat till en riktig återvinningscentral, eftersom farliga komponenter i apparaten kan orsaka fara till miljön. En elektrisk apparat bör lämnas för att minska förnyad användning av denna. Om apparaten innehåller batterier, bör man ta bort dem och lämna dem separat till återvinningscentraler.



Varning, risk för brand.

Gör INTE igenom eller bränna.

Var medveten om att köldmediet kanske inte innehåller en lukt.

Maximalt köldmediumsbelopp: 65 g.

УКРАЇНЬСЬКА

ЗАГАЛЬНІ УМОВИ БЕЗПЕКИ

ВАЖЛИВІ ІНСТРУКЦІЇ З БЕЗКОШТОВНОСТІ ЧИТАЙТЕ ДУЖКО І ЗАБЕЗПЕЧЕННЯ
ДЛЯ БУДУЩЕГО

1. Перш ніж користуватися пристроєм, прочитайте посібник з експлуатації та

- дотримуйтесь інструкцій, що містяться в ньому. Виробник не несе відповідальності за збитки, спричинені використанням пристрою всупереч його передбачуваному призначенню або неправильній експлуатації.
2. Пристрій призначений лише для домашнього використання. Не використовуйте для інших цілей, які не призначені за призначенням.
 3. Пристрій слід підключати лише до розетки змінного струму із заземленим 220-240 В ~ 50 Гц. Для підвищення експлуатаційної безпеки кілька електричних пристроїв не повинні підключатися одночасно до одного ланцюга струму.
 4. Будьте дуже обережні, коли користуєтесь пристроєм, коли діти поруч. Не дозволяйте дітям грати з пристроєм, не дозволяйте дітям або людям, незнайомим пристроєм, користуватися ним.
 5. **ПОПЕРЕДЖЕННЯ:** Цим обладнанням можуть користуватися діти старше 8 років та люди з обмеженими фізичними, сенсорними або розумовими здібностями, або люди, які не мають досвіду чи знань щодо обладнання, якщо це робиться під наглядом відповідальної особи. Для їх безпеки або надано їм інформацію про безпечне користування пристроєм та знають про небезпеку його використання. Діти не повинні грати з обладнанням. Чищення та обслуговування приладу не повинно здійснюватися дітьми, якщо вони не перевищують 8 років і ці заходи проводяться під наглядом.
 6. Завжди від'єднуйте шнур живлення, тримаючи розетку рукою після використання. **НЕ** тягніть за шнур живлення.
 7. Не занурюйте кабель, вилку та весь пристрій у воду або будь-яку іншу рідину. Не піддавайте прилад атмосферним умовам (дощ, сонце тощо) і не використовуйте в умовах підвищеної вологості (ванні кімнати, вологі мобільні будинки).
 8. Періодично перевіряйте стан шнура живлення. Якщо шнур живлення пошкоджений, його слід замінити в спеціалізованому ремонтному центрі, щоб уникнути небезпеки.
 9. Не використовуйте прилад із пошкодженим шнуром живлення або якщо він був випав або пошкоджений будь-яким іншим способом або якщо він не працює належним чином. Не ремонтуйте пристрій самостійно, оскільки є ризик ураження електричним струмом. Віднесіть пошкоджений пристрій у відповідний сервісний центр для перевірки чи ремонту. Всі ремонти можуть проводити тільки авторизовані сервісні пункти. Неправильно виконаний ремонт може становити серйозну небезпеку для користувача.
 10. Поставте прилад на прохолодну стійку поверхню, подалі від гарячих кухонних приладів, таких як: електрична плита, газовий конфорка тощо.
 11. Переконайтесь, що ніщо не блокує вхід і вихід повітря в пристрій
 12. Використовуйте пристрій лише на рівній поверхні, щоб запобігти розливу конденсату

13. Для забезпечення додаткового захисту доцільно встановити в електричному ланцюзі пристрій залишкового струму (RCD) з номінальним залишковим струмом, що не перевищує 30 мА. Запитайте про це електрика.
14. Регулярно чистіть повітряний фільтр. Частота очищення залежить від чистоти повітря.
15. Після вимкнення машини зачекайте принаймні 5 хвилин, перш ніж увімкнути її.
16. Для ефективного осушення повітря слід використовувати зазор не менше 20 см між бічними стінками приладів та стисненими меблями чи шторами.
17. Щоб уникнути небезпеки пожежі чи вибуху, не розпилюйте сушарку
18. Щоб використовувати деталі корпусу, не ставте осушувач біля опалювальних приладів.
19. Видаліть зібрану в бачку воду. Випадкове пиття води або вживання її з іншими людьми може спричинити захворювання.
20. Не підтримує пристрої із знятою задньою кришкою через рухомі та гарячі частини.
21. Не використовуйте жодних засобів для відтавання та експлуатації, окрім рекомендованих виробником.
22. Пристрій має бути доступним у складі постійного списку джерел займання, тобто без відкритого полум'я, без робочого газового пристрою або без нагрівача робочого пристрою.
23. Не проколюйте і не паліть.
24. Зверніть увагу, що виробники холодильників можуть не містити аромат.

Перед першим використанням:

1. Осушувач повинен використовуватися на рівній і стійкій поверхні, зберігати відстані між одиницею та іншими предметами відповідно до малюнка 1, щоб забезпечити належну ефективність. Закрийте всі вікна та двері кімнати, в якій ви хочете осушити повітря.
2. Щоб запобігти замерзанню води, не використовуйте осушувач і зливний шланг при температурі навколишнього середовища нижче 0 ° C
3. Не використовуйте осушувач зовні. Вплив прямих сонячних променів або дощу може призвести до перегріву, ураження електричним струмом і пожежі.
4. Не ставте резервуар з водою на осушувач, щоб уникнути потрапляння води в пристрій всередині і погіршити ізоляцію.
5. Ніколи не намагайтеся використовувати осушувач повітря для спеціального використання, наприклад, для зневоднення харчових продуктів або збереження предметів мистецтва тощо.
6. Не використовуйте осушувач повітря там, де може відбуватися витік нафти або горючих газів. Не використовуйте прилад у місцях, в яких потрапляють хімічні речовини.
7. Для постійного зливу переконайтеся, що зливний шланг встановлений правильно з ухилом.
8. Будьте уважні, щоб опалювальний прилад не піддавався вітру від осушувача повітря.
9. Не використовуйте осушувач повітря як стілець або підніжку.
10. Не знімайте важіль поплавця з ємності з водою.
11. Не перекривайте повітрязабірники та повітропроводи.
12. Не накривайте прилад пральним одягом.

Опис продукту: AD7863 Осушувач і очищувач повітря 2в1

- | | |
|-----------------------|---|
| 1. Панель керування | 2. Вхід повітря |
| 3. Бак для води 6,5 л | 4. Вихід повітря |
| 5. Ручка | 6. Поплавок |
| фільтр HEPA | 8. Мийтєся сітчастий повітряний попередній фільтр |

- | | |
|---|-------------------------------|
| 9. Корпус фільтра | 10. Індикатор вологості |
| 11. Фільтр з активованого вугілля | 12. Передній цифровий дисплей |
| 13. Отвір для труби для постійного стоку води | |

Панель керування (1):

- | | |
|---|--|
| A. Перемикач живлення | V. Кнопки плюс і мінус |
| C. Кнопка таймера 0-24 години | D. Кнопка швидкості вентилятора |
| E. Кнопка режиму | F. Індикатор режиму сушіння одягу |
| G. Індикатор нормального режиму роботи | H. Індикатор режиму циркуляції повітря |
| I. Індикатор автоматичного режиму | J. Індикація саморозморожування пристрою |
| K. Індикатор високої швидкості вентилятора | L. Індикатор низької швидкості вентилятора |
| M. Індикатор таймера | N. Індикатор температури |
| O. Індикатор вологості | P. Індикатор цільової вологості |
| Q. Індикатор повного резервуара для води | R. Індикатор живлення |
| S. Світлодіодний цифровий дисплей вологості та таймера та кімнатної температури | |

УМОВИ ВИКОРИСТАННЯ

Цей осушувач не підходить для підтримки дуже низької вологості приблизно 50 % або менше .

Цей осушувач призначений для видалення незручної вологості в повсякденному житті та використання для додаткового сушіння випраного одягу в приміщенні . Це не підходить для підтримки дуже низької вологості .

Це нормально, коли пристрій виділяє тепло під час роботи, і температура в приміщенні підвищується на 1С–4С, оскільки цей пристрій не має функції охолодження . Температура стає вищою, коли він працює в шафі або тому подібному . Крім того , кімнатна температура підвищується, оскільки двері та вікна закриті, а тепло виробляється від інших приладів у кімнаті та сонячного випромінювання . Цей осушувач не можна застосовувати для підтримки дуже низької температури. Функція цього осушувача — відкачувати неприємну високу вологість.

ФУНКЦІЯ САМОРОЗМОРОЖЕННЯ ПРИЛАДУ

Коли на змійовиках випарника всередині пристрою накопичується іній, запускається функція автоматичного розморожування. The компресор вимкнеться, а вентилятор продовжуватиме працювати, доки не зникне іній. Коли пристрій працює при кімнатній температурі від 5 градусів Цельсія до 12 градусів Цельсія він зупинятиметься для розморожування приблизно на 3 хвилини кожні 8 хвилин. Коли пристрій працює при кімнатній температурі між 12 градусів Цельсія і 18 градусів Цельсія , він припинить розморожування приблизно на 5 хвилин кожні 25 хвилин. Коли пристрій працює при кімнатній температурі від 18 градусів Цельсія і 23 градус Цельсія він зупинятиметься для розморожування приблизно на 5 хвилин кожні 120 хвилин. Зачекайте 3 хвилини, перш ніж продовжити роботу. Після зупинки компресора він не може відновити роботу поки не пройде 3 хвилини. Індикатор (J) на панелі керування (1) світиться весь час, поки активне саморозморожування.

ВАЖЛИВО!

І функція осушення, і функція очищення повітря припиняються під час операції розморожування .

Під час розморожування не від'єднуйте прилад від розетки та не вимикайте пристрій .

Осушувальна здатність

- Щоденна потужність осушувача залежить від кімнатної температури та відносної вологості. За різних температур і відносної вологості він може мати різну осушувальну здатність.
- За тієї самої кімнатної температури осушувальна здатність вища при вищій відносній вологості, а осушувальна здатність нижча при нижчій відносній вологості. За однакової відносної вологості осушувальна здатність вища при вищій температурі, а осушувальна здатність нижча при нижчій температурі.
- Якщо осушувач розміщено в шафі, його осушувальна здатність може значно зменшитися через короткий проміжок часу після роботи через значне зниження вологості в шафі.
- При кімнатній температурі 30°C / 27°C і відносній вологості 80% / 60% потужність осушення становить приблизно 25 / 13 літрів води відповідно, коли вихід повітря повністю відкритий.

Система очищення повітря - 3-ступенева фільтрація

Система призначена для видалення забруднюючих часток і запахів з повітря. Пристрій містить наступні фільтри:

- Попередній повітряний сітчастий фільтр (8): використовуйте для фільтрації пилу та волосся в повітрі.
- Фільтр з активованим вугіллем: видаляє запах, спричинений наприклад сигаретами, домашніми тваринами тощо.
- Фільтр HEPA H13: фільтрує пил, забруднюючі частинки та освіжає повітря. Фільтр HEPA H13 ефективно затримує 99,95% забруднюючих частинок розміром до 0,3 мікрона в повітрі, що протікає. Фільтр HEPA H13 підходить для очищення повітря алергіків.

Операція

1. Будь ласка, розташуйте пристрій вертикально, щоб уникнути несправностей і незвичних звуків. Дотримуйтесь відстані між іншими об'єктами, як показано на малюнку 1.
2. Фільтр HEPA (7) упакований у поліетиленові пакети, будь ласка, вийміть поліетиленовий пакет перед використанням.
3. Відкрийте чорну кришку у верхній частині пристрою, щоб повітря легко вийшло.
4. Увімкніть пристрій, на панелі керування (1) блимає перемикач живлення (A), натисніть його, щоб увімкнути пристрій. Цифровий дисплей (S) покаже поточний рівень вологості в кімнаті. Одночасно засвітиться індикатор вологості (10) на передньому верхньому краю пристрою.

Під час роботи світловий індикатор вологості показує поточний рівень вологості в приміщенні:

- Синій колір означає низьку вологість нижче 50% відносної вологості
- Зелений колір означає середню вологість у діапазоні 51% - 69% відносної вологості
- Червоний колір означає високу вологість понад 70% відносної вологості

Будь ласка, зверніть увагу, що значення відносної вологості має допуск 3%, коли горить відповідний індикатор.

5. Натискайте кнопку режиму (E), щоб вибрати потрібний режим роботи між:

- Режим сушіння білизни – натисніть один раз кнопку режиму (E), засвітиться індикатор (F). Для швидкого виконання функцій компресор працює безперервно без зупинки, за винятком випадків, коли резервуар для води (3) повний. Вентилятор постійно працює на високій швидкості.

- Нормальний режим роботи – знову натисніть кнопку режиму (E), загориться індикатор (G). При нормальній роботі компресор працює. Користувач може встановити цільовий рівень вологості, натискаючи кнопки «плюс» і «мінус» (3). Встановлений діапазон вологості: 30%-80% з кроком 5%. При досягненні цільової вологості компресор припиняє працювати. Вентилятор можна встановити як на високу, так і на низьку швидкість відповідно до ваших потреб. Щоб вибрати швидкість вентилятора між низькою та високою, натисніть кнопку (D), засвітиться відповідний індикатор (K) для високої швидкості та (L) для низької швидкості.

- Режим циркуляції повітря – знову натисніть кнопку режиму (E), засвітиться індикатор (H). У цьому режимі компресор не працює, працює тільки вентилятор. Ви можете регулювати швидкість вентилятора між низькою та високою швидкістю відповідно до ваших потреб.

- Автоматичний режим – знову натисніть кнопку режиму (E), індикатор (I) засвітиться. У цьому режимі цільова вологість за замовчуванням становить 55%. Коли вологість у приміщенні досягає 55%, компресор припиняє працювати, продовжує працювати тільки вентилятор. Коли вологість повітря в приміщенні перевищує 55%, компресор починає працювати знову.

У разі відключення електрики пристрій має функцію пам'яті, і він може запам'ятати останні налаштування.

Функція постійного дренажу

1. Якщо вам потрібно осушити повітря протягом тривалого часу, ви можете скористатися функцією постійного дренажу.
2. Перед безперервною роботою протягом тривалого часу необхідна періодична перевірка, особливо фільтра очищення повітря, дренажної труби тощо.
3. Зніміть резервуар для води (3) з початкового положення, вставте прикріплену трубу в отвір для постійного зливу води (13) показано на малюнку 5.

4. Коли ви встановлюєте цільову вологість у звичайному режимі осушення, ви можете встановити: 30-35-40-45-50-55-60-65-70-75-80%-CO-30% і так далі. «CO» означає безперервний режим осушення. У цьому режимі швидкість вентилятора можна вибрати між низькою або високою швидкістю.

5. Після завершення безперервного зволоження розберіть трубу, встановіть резервуар для води (3) на початкове місце та вимкніть пристрій.

Зливний шланг: довжина: 30 см, внутрішній діаметр: 17 мм, зовнішній діаметр: 19 мм.

Робота за таймером - функція Delay Stop

Щоб налаштувати функцію ВИМКНЕННЯ ТАЙМЕРА - ЗУПИНКА ВІДТРИМКИ, використовуйте кнопку таймера (C).

Функцію таймера вимкнення можна встановити під час роботи пристрою. Натисніть кнопку таймера (C), індикатор таймера (M) засвітиться. Засвітиться світлодіодний цифровий дисплей (S) і з'явиться «00», за допомогою кнопок «плюс» або «мінус» (B) виберіть потрібний час для вимкнення пристрою. Після встановлення таймера час відобразиться протягом 5 секунд і запам'ятовується. Після встановлення таймера натисніть кнопку таймера (C), щоб перевірити лівий час. Пристрій автоматично вимкнеться після закінчення встановленого часу. Щоб скинути функцію таймера, потрібно постійно натискати кнопку таймера (C), поки блимає значення часу, значення часу буде змінено на нуль. Діапазон таймера від 1 до 24 годин з інтервалом в 1 годину.

Перевірка кімнатної температури

Щоб перевірити поточну кімнатну температуру, натисніть кнопку «Плюс» на кілька секунд, коли значення відобразиться на цифровому світлодіодному дисплеї (S), одночасно з'явиться індикатор температури (N).

Перевірка вологості приміщення

Щоб перевірити поточну вологість у приміщенні, подивіться на значення, яке відображається на світлодіодному цифровому дисплеї (S) або подивіться на значення, яке відображається на передньому цифровому дисплеї (12), в той же час індикатор вологості (O) засвітиться на панелі керування. панель (1). Коли поточна вологість у приміщенні досягне заданої відносної вологості, засвітиться індикатор цільової вологості (P).

Натисніть вимикач живлення (A) ще раз, щоб вимкнути пристрій, пристрій припинить роботу, лише індикатор живлення (R) буде блимати, повідомляючи, що пристрій перебуває в режимі очікування. Коли пристрій увімкнено. Світиться індикатор живлення (R).

Спорожнення резервуара для води

1. Якщо резервуар для води (3) повний або резервуар для води (3) встановлено неправильно, на панелі керування (1) засвітиться індикатор повного резервуара для води (Q), лунає звуковий сигнал. Пристрій автоматично припинить роботу.
2. Коли блимає індикатор повного резервуара для води (Q), пристрій припиняє роботу, поки резервуар для води не спорожніє або не буде встановлено в правильне положення.
3. Щоб зняти резервуар для води (3), обережно потягніть резервуар для води на себе, тримаючи його за увігнуті частини. Подивіться на малюнок 3.
4. Щоб спорожнити резервуар для води (3), перенесіть його за ручку, потім нахиліть, як показано на малюнку 4, і повільно злийте воду. Потім вам слід покласти ручку рівно, перш ніж обережно штовхати резервуар (3) назад у його попереднє положення всередині корпусу.
5. Час від часу резервуар для води (6) потрібно очищати зсередини. Щоб відкрити резервуар для води (3), відрегулюйте положення ручки резервуара для води відповідно до форми отворів у двох пластикових частинах, до яких прикріплена ручка, і обережно розгорніть обидва краї ручки, щоб повністю розібрати ручку. Тепер ви можете відкрити кришку резервуара для води та очистити резервуар водою за допомогою мильного засобу та м'якої тканини. Не розбирайте та не піднімайте поплавок (6) з резервуара для води (3). Подивіться на малюнок

звуковий сигнал

Він звучить протягом 20 секунд, коли резервуар для води (3) вийнято під час роботи.

Очищення та технічне обслуговування

1. Вимкніть пристрій і від'єднайте вилку живлення перед початком будь-якого чищення або іншого планового обслуговування.
2. Щоб уникнути ризику ураження електричним струмом, ніколи не бризкайте та не проливайте воду на осушувач під час очищення.
3. Перш ніж переміщати пристрій, вимкніть пристрій і вилийте воду з резервуара для води. Під час руху обов'язково тримайтеся за ручку.
4. Протріть корпус пристрою вологою м'якою тканиною.
5. Не знімайте поплавок (6) з резервуара для води (3).
6. Перед запланованою безперервною роботою протягом тривалого часу необхідна періодична перевірка, особливо сітчастого повітряного фільтра (8), фільтра з активованим вугіллям (11) і зливної труби (13) тощо.
7. Щоб очистити або замінити фільтри:
 - від'єднайте вилку та вийміть резервуар для води (3)
 - зніміть корпус фільтра (9), як показано на малюнку 5
 - вийміть сітчастий повітряний фільтр (8) з корпусу та обережно вийміть фільтр з активованим вугіллям (11)
 - вийміть фільтр НЕРА (7) з пристрою
 - кожні два тижні очищайте всі три фільтри пиłosосом або злегка поплескайте їх, щоб витрусити. Ефективність осушення може знизитися, якщо фільтри забиті брудом
 - поставте фільтри назад і знову зберіть корпус фільтра (9).Якщо фільтри сильно забруднені, промийте їх у воді з нейтральним миючим засобом, добре прополощіть водою та залиште, поки вони не висохнуть.
8. Не очищайте пристрій бензином, розчинником або рідким миючим засобом.
9. Перед тривалим зберіганням: зв'яжіть кабель живлення, спорожніть резервуар для води та протріть його м'якою тканиною, очистіть і висушіть усі фільтри. Встановіть пристрій вертикально, щоб уникнути несправностей або ненормального звуку в майбутньому, уникайте впливу прямих сонячних променів.

Усунення несправностей: перш ніж зв'язуватися з продавцем, ознайомтеся зі списком нижче:

1. Проблема: немає операції

Пункт перевірки 1: перевірте, чи вилка живлення відключена.

Рішення 1: вставте вилку в електричну розетку повністю та надійно

Точка перевірки 2: перевірте, чи заповнений резервуар для води

Рішення 2: Вилийте воду з бака .

Пункт перевірки 3: перевірте, чи резервуар для води встановлено неправильно .

Рішення 3: належним чином установіть резервуар на пристрій

Точка перевірки 4: перевірте, чи закрита верхня кришка виходу повітря з чорного пластику

Рішення 4: відкрити верхню кришку

2. Проблема: потужність осушувача мала

Пункт перевірки 1: перевірте, чи не забруднені фільтри

Рішення 1. Очистіть фільтри, як зазначено в розділі «Чищення та технічне обслуговування» в пункті 7

Точка перевірки 2: перевірте, чи не заблоковані отвори для повітря

Рішення 2: усуньте перешкоди з повітряних отворів

Пункт перевірки 3: перевірте, чи осушувач знаходиться в режимі циркуляції повітря

Рішення 3: Змініть режим роботи на режим осушення

3. Проблема: гучний звук під час роботи

Пункт перевірки 1: перевірте, чи правильно встановлено пристрій

Рішення 1. Встановіть пристрій на рівній і стійкій підлозі

4. Проблема: випрані речі не сушать

Перевірка пункту 1: перевірте, чи випраний одяг не піддається впливу повітря з пристрою

Рішення 1: спробуйте піддати випраний одяг потоку повітря

Точка перевірки 2: перевірте, чи температура в приміщенні не надто низька

Рішення 2: випраний одяг важко сушити за низьких температур

Пристрій працює належним чином, якщо виникає таке явище:

1. Опис явища: час від часу робота припиняється

Причина явища: Пристрій розморожується

2. Опис явища: осушений об'єм невеликий

Причина явища: об'єм осушувача менший, коли кімнатна температура низька.

3. Опис явища: вологість у кімнаті все ще висока

Причина явища: Можливо, розмір кімнати занадто великий . Двері або вікна кімнати можна відкривати та / або закривати часто . Осушувач використовується поруч із газовим нагрівачем, який виділяє пару .

4. Опис явища: Неприємний запах під час роботи

Причина явища: Запах виходить від стін , меблів або інших предметів .

5. Опис явища: звук створюється всередині пристрою

Причина явища: Циркуляція холодоагенту може викликати звук, доки він не стане стабільним .

6. Опис явища: вода залишилася в резервуарі для води

Причина явища: Вода залишилася, тому що пристрій піддається тесту осушення на заводі

7. Опис явища: Звучить зумер

Причина явища: звуковий сигнал лунає, коли резервуар для води заповнений водою .

УВАГА: холодоагент можна заправляти лише на заводі.

ТЕХНІЧНІ ДАНІ:

Потужність осушення при 30°C / 80% відносної вологості): 25 літрів / 24 години

Потужність осушення при 27°C / 60% відносної вологості): 13 літрів / 24 години

Рівень шуму: <= 48 дБ (А)

Ємність бака для води: 6,5 л

Витрата повітря: 195 м3 / год

Вага теплоносія R290: макс. 65 грамів

Номінальна вхідна потужність: 320 Вт

Макс. Номінальна вхідна потужність: 420 Вт



Обережність, небезпека пожежі.

НЕ проколюйте та не горіть.

Майте на увазі, що холодоагент може не містити запаху.

Максимальна кількість заряду холодоагенту: 65г.

У інтересах навколишнього середовища.



Будь ласка, віддайте картонну упаковку в місце збору мукулатури. Політиленові мішки (PE) викинути в смітник для пластику. Відпрацьований пристрій повинен бути відправлений у відповідну точку зберігання, тому що в пристрої є небезпечні інгредієнти, які можуть становити загрозу навколишньому середовищу. Електричний пристрій потрібно повернути так, щоб обмежити його повторне використання. Якщо у пристрої є батарейки, то потрібно їх витягнути і віддати до відповідного пункту.

ОПШТИ УСЛОВИ ЗА БЕЗБЕДНОСТ

ВАНИ ИНСТРУКЦИИ ЗА БЕЗБЕДНОСТ ПРОЧИТАЈТЕ Внимателно и заштедете за ИДНИНА

1. Пред да го користите уредот, прочитајте го упатството за работа и следете ги упатствата содржани во него. Производителот не одговара за штети предизвикани од користење на уредот спротивно на наменетата намена или неправилно работење.
2. Уредот е само за домашна употреба. Не користете за други цели што не се за наменетата цел.
3. Уредот треба да се поврзе само со штекер за напојување со заземјен 220 240V ~ 50Hz. За да се зголеми безбедноста во работењето, повеќе електрични уреди не треба да бидат поврзани со едно струјно коло во исто време.
4. Користете голема претпазливост кога го користите уредот кога децата се во близина. Не дозволувајте децата да си играат со уредот, не дозволувајте деца или луѓе кои не се запознати со уредот да го користат.
5. ПРЕДУПРЕДУВАЕ: Оваа опрема може да ја користат деца над 8 години и лица со ограничена физичка, сензорна или ментална способност, или луѓе кои немаат искуство или познавање на опремата, доколку тоа е направено под надзор на одговорно лице за нивната безбедност или им е дадена информација за безбедно користење на уредот и се свесни за опасностите од неговото користење. Децата не треба да си играат со опрема. Чистењето и одржувањето на уредот не треба да го вршат деца, освен ако не се над 8 години и овие активности се вршат под надзор.
6. Секогаш исклучувајте го приклучокот за напојување со држење на штекерот со раката по употребата. НЕ влечете го кабелот за напојување.
7. Не го потовајте кабелот, приклучокот и целиот уред во вода или друга течност. Не го изложувајте го уредот на атмосферски услови (дожд, сонце и слично) или користете во услови на висока влажност (бањи, влажни домови за мобилни телефони).
8. Периодично проверувајте ја состојбата на кабелот за напојување. Ако кабелот за напојување е оштетен, тој треба да се замени со специјализирана продавница за поправка за да се избегне опасност.
9. Не користете го апаратот со оштетен кабел за напојување или ако е испуштен или оштетен на кој било друг начин или ако не работи правилно. Не поправајте го уредот сами, бидејќи постои опасност од електричен удар. Понесете го оштетениот уред во соодветен сервисен центар за проверка или поправка. Сите поправки може да ги извршуваат само овластени сервисни точки. Неправилно извршените поправки можат да предизвикаат сериозна опасност за корисникот.
10. Поставете го уредот на ладна, стабилна површина, подалеку од топли кујнски

уреди како што се: електричен шпорет, горилник за гас, итн.

11. Осигурете се дека ништо не го блокира влезот на воздухот и излезот на уредот

12. Користете го уредот само на рамна површина за да спречите излевање на кондензацијата

13. За да се обезбеди дополнителна заштита, препорачливо е да се инсталира уред за преостаната струја (RCD) во електричното коло со номинална преостаната струја што не надминува 30mA. За ова прашајте електричар.

14. Редовно чистете го филтерот за воздух. Фреквенцијата на чистење зависи од чистотата на воздухот.

15. Откако ќе ја исклучите машината, почекајте најмалку 5 минути пред да ја вклучите повторно.

16. За ефикасно дехидрирање, треба да се користи празнина од најмалку 20 см помеѓу страничните wallsидови на уредите и компресиранiot мебел или завесите.

17. За да избегнете ризик од пожар или експлозија, не испрскајте ја фен

18. За да ги користите деловите за куќиште, не ставајте го дехидрирачот близу уреди за греење.

19. Извадете ја собраната вода во резервоарот. Случајно да се пие вода или да се користи со други луѓе може да предизвика болести.

20. Не поддржува уреди со отстранување на задниот поклопец заради подвижните и топлиите делови.

21. Не користете средства за да го извршите процесот на одмрзнување или работење, освен оние што ги препорача производителот.

22. Уредот треба да биде достапен како дел од постојан список на извори на палење, т.е. без отворен пламен, без уред за работа со гас или без грејач за работа.

23. Не пирснувај и не пуши.

24. Забележете дека производителите на ладење може да не содржат мирис.

Пред првата употреба:

1. Овластувачот мора да се користи на рамна и стабилна површина, да одржува растојанија помеѓу единицата и другите предмети според слика 1 за да се обезбеди соодветна ефикасност. Затворете ги сите прозорци и вратите од просторијата што сакате да ги дехидрирате воздухот.

2. За да спречите замрзнување на водата, не употребувајте го раздвојувачот и цревето за одвод на околна температура под 0 ° C

3. Не користете го одвлажнувачот надвор. Изложеноста на директна сончева светлина или дожд може да резултира во прегревање, електричен удар и пожар.

4. Не ставајте резервоар за вода на водата за дезинфекција за да избегнете истурање вода во единицата внатре и да ја влоши изолацијата.

5. Никогаш не обидувајте се да го користите дехидрификаторот за специјални намени, на пример, сушење храна или зачувување на уметнички предмети или слично.

6. Не употребувајте го раздвојувачот кога може да се случи истекување на нафта или запалив гас. Не користете ја единицата на места што подлежат на хемикалии.

7. За континуирано одводнување, проверете дали цревето за одвод е поставено правилно со наклон.

8. Бидете внимателни дека апаратот за греење не е изложен на ветрот од задушувачот.

9. Не користете го дехидрирачот како стол или подножје.

10. Не отстранувајте ја рачката на плови од резервоарот за вода.

11. Не блокирајте ги влезовите на воздухот и излезите на воздухот.

12. Не покривајте ја единицата со измена облека.

Опис на производот: AD7863 2 во 1 одвлажнувач на воздух и прочистувач на воздух

- | | |
|--|---|
| 1. Контролна табла | 2. Влез за воздух |
| 3. Резервоар за вода 6,5L | 4. Излез за воздух |
| 5. Рачка | 6. Флотер |
| 7. HEPA воздушен флетер | 8. Мрежест пред-филтер за воздух што може да се мие |
| 9. Куќиште на филтерот | 10. Показно светло за влажност |
| 11. Филтер со активен јаглен | 12. Преден дигитален дисплеј |
| 13. Дупка за цевка до континуирано одвод на вода | |

Контролна табла (1):

- | | |
|--|--|
| A. Прекинувач за напојување | V. Копчиња плус и минус |
| B. Копче за тајмер 0-24 часа | D. Копче за брзина на вентилаторот |
| E. Копче за режим | F. Индикатор за режим на сува облека |
| G. Индикатор за нормален режим на работа | H. Индикатор за режим на циркулација на воздухот |
| I. Индикатор за автоматски режим | J. Индикација за самоодмрзнување на уредот |
| K. Индикатор за голема брзина на вентилаторот | L. Индикатор за мала брзина на |
| вентилаторот | |
| M. Индикатор за тајмер | N. Индикатор за температура |
| O. Индикатор за влажност | P. Целен индикатор за влажност |
| P. Индикатор за полн резервоар за вода | R. Индикатор за моќност |
| S. LED дигитален приказ на влажност и тајмер и собна температура | |

УСЛОВИ НА КОРИСТЕЊЕ

Овој одвлажнувач не е погоден за одржување на влажноста на многу ниска приближно 50 % или помалку .

Овој одвлажнувач е дизајниран да ја отстрани непријатната влажност во секојдневниот живот и да се користи за помошно сушење на измени алишта во затворен простор . Ова не е pogodно за одржување на влажноста на многу ниско ниво .

Нормално е дека уредот произведува топлина за време на работата и собната температура се зголемува за 1C до 4C, бидејќи овој уред нема функција за ладење . Температурата се зголемува додека се ракува во плакар или слично . Понатаму , температурата во просторијата се зголемува бидејќи вратите и прозорците се затворени, а топлината се создава од другите апарати во просторијата и од сончевото зрачење . Овој одвлажнувач не може да се примени за одржување на екстремно ниска температура. Функцијата на овој одвлажнувач е да ја испумпува непријатната, висока влажност.

ФУНКЦИЈА ЗА САМООДМРЗУВАЊЕ НА УРЕДОТ

Кога мразот ќе се насобере на намотките на испарувачот во внатрешноста на уредот, ќе се вклучи функцијата за автоматско одмрзнување. На компресорот ќе се исклучи и вентилаторот ќе продолжи да работи додека не се отстрани мразот. Кога уредот работи на собна температура помеѓу 5 степени Целзиусови и 12 Целзиусови степени, ќе престане да се одмрзнува околу 3 минути на секои 8 минути. Кога уредот работи на собна температура помеѓу 12 Целзиусови степени и 18 Целзиусов степен, ќе престане да се одмрзнува околу 5 минути на секои 25 минути. Кога уредот работи на собна температура помеѓу 18 степени Целзиусови и 23 Целзиусов степен ќе престане да се одмрзнува околу 5 минути на секои 120 минути. Почекајте 3 минути пред да продолжите со работа. Откако компресорот ќе престане, не може да ја рестартира работата додека не поминат 3 минути. Индикаторот (J) на контролната табла (1) свети цело време додека е активно самоодмрзнувањето.

ВАЖНО !

И функцијата за одвлажнување и функцијата за чистење на воздухот престануваат за време на работата на одмрзнување .

Не исклучувајте го приклучокот на уредот и не исклучувајте го уредот за време на одмрзнувањето .

Капацитет за одвлажнување

1. Дневниот капацитет за одвлажнување на одвлажнувачот зависи од собната температура и релативната влажност. При различни температури и релативна влажност, може да има различен капацитет за одвлажнување.
2. На иста собна температура, капацитетот за одвлажнување е поголем при повисока релативна влажност, а капацитетот за одвлажнување е помал при помала релативна влажност. При истата релативна влажност, капацитетот за одвлажнување е поголем при повисока температура, а капацитетот за одвлажнување е помал при пониска температура.
3. Ако одвлажнувачот е поставен во кабинетот, неговиот капацитет за одвлажнување може многу да се намали за краток период откако ќе работи поради тоа што влажноста во кабинетот е многу намалена.

4. За 30°C / 27°C собна температура и 80% / 60% од релативната влажност, капацитетот за одвлажнување е соодветно околу 25/13 литри вода кога излезот за воздух е целосно отворен.

Систем за прочистување на воздухот - филтрација во 3 фази

Системот е дизајниран да ги отстранува загадувачките честички и мирисите во воздухот. Уредот ги вклучува следните филтри:

1. Мрежест пред-филтер за воздух што може да се мие (8): користете за филтрирање на прашина и влакна во воздухот.
2. Филтер со активен јаглен: отстранете ја миризбата предизвикана од на пр. цигара, домашно милениче итн.
3. НЕРА филтер Н13: филтрира прашина, загадувачки честички и го освежува воздухот. Филтерот НЕРА Н13 ефикасно задржува 99,95% од загадувачките честички со големина до 0,3 микрони во воздухот што тече. Филтерот НЕРА Н13 е погоден за прочистување на воздухот за оние кои страдаат од алергија.

Операција

1. Ве молиме поставете го уредот исправено за да избегнете промашување и невообичаен звук. Одржувајте растојанија помеѓу другите предмети како што е прикажано на слика 1.
2. НЕРА филтерот (7) е спакуван во политорби, ве молиме отстранете ја политорката пред да ја користите.
3. Отворете го црниот капак на горниот дел од уредот за да дозволите воздухот лесно да излегува.
4. Приклучете го уредот, прекинувачот за напојување (А) трепка на контролната табла (1), притиснете го за да го вклучите уредот. Дигиталниот дисплеј (S) ќе го прикаже моменталното ниво на влажност во просторијата. Во исто време индикаторското светло за влажност (10) ќе светне на предниот горниот раб на уредот.

За време на работата, светлото за индикација за влажност го покажува моменталното ниво на влажност во просторијата:

- Сината боја значи ниска влажност под 50% релативна влажност
- Зелената боја значи средна влажност во опсег од 51% - 69% релативна влажност
- Црвената боја значи висока влажност над 70% релативна влажност

Ве молиме имајте предвид, вредноста на релативната влажност има 3% толеранција кога се пали соодветното индикативно светло.

5. Притиснете го копчето за режим (E) во циклус за да го изберете саканиот режим на работа помеѓу:

- Режим на сува облека – притиснете го копчето за режим (E) еднаш, индикаторот (F) ќе светне. За брзо исполнување на функцијата, компресорот работи континуирано без застанување, освен ако резервоарот за вода (3) е полн. Вентилаторот постојано одржува голема брзина.
- Нормален режим на работа – повторно притиснете го копчето за режим (E), индикаторот (G) ќе светне. При нормална работа, компресорот работи. Корисникот може да го постави целното ниво на влажност со притискање на копчињата плус и минус (3). Поставен опсег на влажност е: 30%-80% со чекор од 5%. Кога ќе достигне целната влажност, компресорот престанува да работи. Вентилаторот може да се постави и на голема и на мала брзина според вашата потреба. За да ја изберете брзината на вентилаторот помеѓу мала и голема, притиснете го копчето (D), соодветниот индикатор (K) за голема брзина и (L) за мала брзина ќе се запали.
- Режим на циркулација на воздухот – повторно притиснете го копчето за режим (E), индикаторот (H) ќе светне. Во овој режим компресорот не работи, функционира само вентилаторот. Можете да ја прилагодите брзината на вентилаторот помеѓу: мала и голема брзина според вашите потреби.
- Автоматски режим — повторно притиснете го копчето за режим (E), индикаторот (I) ќе светне. Во овој режим, стандардната целна влажност е 55%. Кога влажноста на просторијата ќе достигне 55%, компресорот престанува да работи, само вентилаторот продолжува да работи. Кога влажноста на просторијата е поголема од 55%, компресорот повторно почнува да работи.

Во случај на прекин на струја, уредот има мемориска функција и може да се сеќава на последното поставување.

Континуирана функција за одводнување

1. Ако треба да го одвлажнувате воздухот подолго време, можете да ја користите функцијата за континуирано одводнување.
 2. Пред континуирано работење долго време, потребно е периодично проверување особено за филтерот за чист воздух, одводната цевка или слично.
 3. Извадете го резервоарот за вода (3) од првобитната положба, вметнете ја прицврстената цевка на дупката за континуирано одвод на вода (13) прикажано на слика 5.
 4. Кога ја поставувате целната влажност при нормален режим на одвлажнување, можете да поставите: 30-35-40-45-50-55-60-65-70-75-80%-CO-30% и така натаму. „CO“ значи континуиран режим на одвлажнување. Во овој режим, брзината на вентилаторот може да се избере помеѓу мала или голема брзина.
 5. По завршувањето на континуираното одвлажнување, расклопете ја цевката, поставете го резервоарот за вода (3) на првобитното место и исклучете го уредот.
- Црево за одвод: должина: 30 cm, внатрешен дијаметар: 17 mm, надворешен дијаметар: 19 mm.

Работа со тајмер - Функција за одложено стопирање

За да ја поставите функцијата за исклучување на тајмерот - DELAY STOP користете го копчето за тајмер (C).

Функцијата за исклучување на тајмерот може да се постави кога уредот работи. Притиснете го копчето Тајмер (C), ознаката на тајмерот (M) ќе светне. LED дигиталниот дисплеј (S) светнува и се појавува „00“, треба да ги притиснете копчињата плус или минус (B) за да го изберете саканото време за исклучување на уредот. Откако ќе се постави тајмерот, времето ќе се прикаже 5 секунди и запомнете. Откако ќе се постави тајмерот, за проверка со левото време притиснете го копчето за тајмер (C). Уредот автоматски ќе се исклучи откако ќе помине времето за поставување. За да ја ресетира функцијата на тајмерот, потребно е континуирано притискање на копчето на тајмерот (C) додека вредноста на времето трепка, вредноста на времето ќе се смени на нула. Опсегот на тајмерот е од 1 до 24 часа со интервал од 1 час.

Проверка на собна температура

За да ја проверите моменталната собна температура, притиснете го копчето Plus неколку секунди, кога вредноста ќе се прикаже на LED дигиталниот дисплеј (S), во исто време ќе се прикаже и индикаторот за температура (N).

Проверка на влажноста на просторијата

За да ја проверите моменталната влажност во просторијата, погледнете ја вредноста што ја покажува LED дигиталниот дисплеј (S) или погледнете ја вредноста што ја покажува предниот дигитален дисплеј (12), во исто време индикаторот за влажност (O) ќе се запали на контролната панел (1). Кога моменталната влажност во просторијата ќе ја достигне поставената релативна влажност, индикаторот за целната влажност (P) ќе се запали.

Притиснете го прекинувачот за вклучување (A) повторно за да го исклучите уредот, уредот ќе престане да работи, само индикаторот за напојување (R) ќе трепка за да информира дека уредот е во состојба на мирување. Кога уредот е вклучен. Индикаторот за напојување (R) свети.

Празнење на резервоарот за вода

1. Ако резервоарот за вода (3) е полн или резервоарот за вода (3) не е поставен во правилна положба, ознаката за полн резервоар за вода (Q) светнува на контролната табла (1), се огласува звучникот. Уредот автоматски ќе престане да работи.
2. Кога трепка показното светло за полн резервоар за вода (Q), уредот престанува да работи додека резервоарот за вода не се испразни или не се постави во правилна положба.
3. За да го извадите резервоарот за вода (3) ве молиме, повлечете го резервоарот за вода нежно кон себе држејќи ги конкавните делови од резервоарот за вода. Погледнете ја сликата 3.
4. За да го испразните резервоарот за вода (3), носете го со рачка, потоа навалете го како што е прикажано на слика 4 и полека исцедете ја водата. Потоа, треба да ја поставите рачката рамно пред нежно да го туркате резервоарот (3) назад во претходната положба во куќиштето.
5. Од време на време резервоарот за вода (6) треба да го чисти внатре. За да го отворите резервоарот за вода (3), прилагодете ја положбата на рачката на резервоарот за вода во форма на дупки во два пластични делови на кои е склопена рачката и нежно проширете ги двата рабови на рачката за да ја расклопите рачката целосно. Сега можете да го отворите капакот на резервоарот за вода и да го исчистите резервоарот со вода со сапун за садови и мека крпа. Не го демантирајте или кревајте пливачот (6) од резервоарот за вода (3). Погледнете ја сликата

Сирена

Звучи 20 секунди кога резервоарот за вода (3) ќе се извади за време на работата.

Чистење и одржување

1. Исклучете го уредот и исклучете го приклучокот за напојување пред да започнете со какво било чистење или друго рутинско одржување.
2. За да избегнете ризик од електричен удар, никогаш не прскајте или истурајте вода на одвлажнувачот кога чистите.
3. Исклучете го уредот и испразнете ја водата од резервоарот за вода пред да го преместите уредот. Задолжително држете ја рачката додека се движите.
4. Избришете го куќиштето на уредот со влажна и мека крпа.
5. Не расклопувајте го пливачот (6) од резервоарот за вода (3).
6. Пред планираното континуирано работење долго време, потребно е периодично проверување особено за мрежестиот филтер за воздух (8), филтерот со активен јаглен (11) и цевката за одвод (13) или слично.
7. За чистење или замена на филтрите:
 - исклучете го приклучокот и извадете го резервоарот за вода (3)
 - извадете го куќиштето на филтерот (9) како што е прикажано на слика 5
 - извадете го мрежестиот филтер за воздух (8) од куќиштето и нежно извадете го филтерот со активен јаглен (11)
 - извлечете го НЕРА филтерот (7) од уредот
 - на секои две недели чистете ги сите три филтри со правосмукалка или лесно тапкајте ги за да ги истресете.

Перформансите на одвлажнување може да се намалат ако филтрите се затнати со нечистотија

- вратете ги филтрите назад и повторно склопете го куќиштето на филтерот (9).

Ако филтрите се сериозно извалкани, измијте во вода со неутрален детергент, добро исплакнете со вода и оставете да се исуши.

8. Не чистете го уредот со бензин, разредувач или течен детергент.

9. Пред подолого складирање: врзете го кабелот за напојување, испразнете го резервоарот за вода и избришете го со мека крпа, исчистете ги и исушете ги сите филтри. Поставете го уредот во исправена положба да да избегнете дефект или ненормален звук во иднина, избегнувајте изложување на директна сончева светлина.

Проблеми – смена: проверете со долунаведената листа пред да контактирате со продавачот:

1.Проблем: нема операција

Проверка на точка 1: проверете дали приклучокот за напојување е исклучен.

Решение 1: вметнете го приклучокот во електричен штекер целосно и безбедно

Проверка 2: проверете дали резервоарот за вода е полн со вода

Решение 2: Испразнете ја водата од резервоарот .

Точка за проверка 3: проверете дали резервоарот за вода не е правилно поставен во положбата .

Решение 3: Поставете го резервоарот на уредот правилно во положба

Проверка 4: проверете дали горниот капак направен од црна пластика на излезот за воздух е затворен

Решение 4: отворете го горниот капак

2. Проблем: капацитетот на одвлажнувачот е мал

Проверка 1: проверете дали филтрите се валкани

Решение 1: исчистете ги филтрите како што е наведено во поглавјето Чистење и одржување во точка 7

Проверка 2: проверете дали отворите за воздух се блокирани

Решение 2: отстранете ги пречките од отворите за воздух

Проверка 3: проверете дали одвлажнувачот е во режим на циркулација на воздухот

Решение 3: Променете го режимот на работа во режим на одвлажнување

3. Проблем: силен звук додека работите

Точка за проверка 1: проверете дали уредот е правилно инсталиран

Решение 1: Инсталирајте го уредот на рамен и стабилен под

4. Проблем: изменините крпи не се сушат

Проверка 1: проверете дали испраната облека не е изложена на воздухот од уредот

Решение 1: Обидете се да ја изложите изменината облека на протокот на воздух

Проверка 2: проверете дали собната температура е премногу ниска

Решение 2: Исперената облека тешко се суши при ниски температури

Уредот работи правилно кога ќе се појави следнава појава:

1.Опис на феноменот: Операцијата повремено престанува

Причина за појава: Уредот се одмрзнува

2.Опис на феноменот: Одвлажнетиот волумен е мал

Причина за појава: Волуменот на одвлажнувачот помал кога собната температура е ниска.

3.Опис на феноменот: Влажноста во просторијата е сè уште висока

Причина за појава: Големината на просторијата може да биде преголема . Вратите или прозорците на просторијата може да се отвораат и / или затвораат

често . Одвлажнувачот се користи во близина на керозин грејач кој испушта параа .

4.Опис на феноменот: Лош мирис при работа

Причина за појава: мирисот се испушта од сидовите , мебелот или другите предмети .

5.Опис на феноменот: Во уредот се произведува звук

Причина за појава: Циркулацијата на разладното средство може да предизвика звук додека не биде стабилен .

6.Опис на феноменот: Водата се остава во резервоарот за вода

Причина за појава: Водата е оставена бидејќи уредот е подложен на тест за одвлажнување во фабриката

7.Опис на феноменот: Звучи звончето

Причина за појавата: Звончето се огласува кога резервоарот за вода е полн со вода .

ВНИМАНИЕ: Ладилното средство може да се полни само во фабрика.

ТЕХНИЧКИ ПОДАТОЦИ:

Капацитет за одвлажнување на 30°C / 80% RH): 25 литри / 24 часа

Капацитет за одвлажнување на 27°C / 60% RH): 13 литри / 24 часа

Ниво на бучава: <= 48dB (A)

Капацитет на резервоарот за вода: 6,5 литри

Проток на воздух: 195 м³ / час
Тежина на течноста за ладење R290: макс. 65 грама
Номинална влезна моќност: 320W
Макс. Номинална влезна моќност: 420 W
Напојување: 220-240V ~50Hz



Внимание, ризик од пожар.
НЕ пирснувајте или изгорувајте.
Бидете свесни дека ладилното средство може да не содржи мирис.
Максимална количина на полнење за ладење: 65g.



Се грижиме за природната средина. Картонските паковки молиме да се наменат за рециклирање. Полиетиленовите кеси (PE) да се фрлат во контејнер за пластика. Искористениот уред треба да се предаде во соодветниот складирачки пункт, бидејќи небезбедните состојки кои се наоѓаат во уредот можат да бидат загрозување за средината. Електричниот уред треба да се предаде на начин кој ќе оневозможи негова повторна употреба и искористување. Доколку во уредот има батерии, треба да се извадат и посебно да се предадат во складирачкиот пункт.

SLOVENSKY

VŠEOBECNÉ BEZPEČNOSTNÉ PODMIENKY DÔLEŽITÉ BEZPEČNOSTNÉ POKYNY ČÍTAJTE POZORNE A ULOŽTE DO BUDÚCNOSTI

1. Pred použitím zariadenia si prečítajte návod na obsluhu a postupujte podľa pokynov v ňom uvedených. Výrobca nezodpovedá za škody spôsobené používaním zariadenia v rozpore s jeho určeným účelom alebo nesprávnou obsluhou.
2. Zariadenie je určené iba na domáce použitie. Nepoužívajte na iné účely, než na ktoré sú určené.
3. Zariadenie by malo byť pripojené iba k sieťovej zásuvke s uzemneným 220 240 V ~50Hz. Z dôvodu zvýšenia prevádzkovej bezpečnosti by viac elektrických zariadení nemalo byť pripojené k jednému prúdovému obvodu súčasne.
4. Pri používaní zariadenia, keď sú deti v blízkosti, buďte veľmi opatrní. Nedovoľte deťom hrať sa so zariadením, nedovoľte deťom ani osobám oboznámeným so zariadením používať.
5. **VÝSTRAHA:** Toto zariadenie môžu používať deti staršie ako 8 rokov a ľudia s obmedzenými fyzickými, zmyslovými alebo mentálnymi schopnosťami alebo ľudia, ktorí nemajú skúsenosti s týmto vybavením, ak sa to deje pod dohľadom zodpovednej osoby. pre svoju bezpečnosť alebo im boli poskytnuté informácie o bezpečnom používaní pomôcky a sú si vedomí nebezpečenstva pri jej používaní. Deti by sa s týmto zariadením nemali hrať. Čistenie a údržba prístroja by nemali vykonávať deti, pokiaľ nie sú staršie ako 8 rokov a tieto činnosti sa vykonávajú pod dohľadom.
6. Po použití vždy odpojte sieťovú zástrčku tak, že budete držať zásuvku rukou. **NEVYŤAHUJTE** napájací kábel.
7. Kábel, zástrčku a celé zariadenie neponárajte do vody ani inej kvapaliny. Nevystavujte zariadenie poveternostným vplyvom (dážď, slnko atď.) Ani ho nepoužívajte

v podmienkach vysokej vlhkosti (kúpeľne, vlhké mobilné domy).

8. Pravidelne kontrolujte stav napájacieho kábla. Ak je napájací kábel poškodený, mal by sa vymeniť v odbornom servise, aby sa predišlo nebezpečenstvu.

9. Nepoužívajte spotrebič s poškodeným napájacím káblom alebo ak spadol alebo je poškodený iným spôsobom alebo ak nefunguje správne. Neopravujte prístroj sami, mohlo by dôjsť k úrazu elektrickým prúdom. Poškodené zariadenie odneste na kontrolu alebo opravu do príslušného servisného strediska. Všetky opravy smie vykonávať iba autorizovaný servis. Nesprávne vykonané opravy môžu pre používateľa predstavovať vážne nebezpečenstvo.

10. Zariadenie umiestnite na chladný a stabilný povrch, mimo dosahu horúcich kuchynských spotrebičov, ako sú: elektrický sporák, plynový horák atď.

11. Skontrolujte, či nič neblokuje vstup a výstup vzduchu zo zariadenia

12. Používajte zariadenie iba na rovnom povrchu, aby sa zabránilo vyliatiu kondenzátu

13. Na zabezpečenie dodatočnej ochrany sa odporúča nainštalovať do elektrického obvodu zariadenie na zvyškový prúd (RCD) s menovitým zvyškovým prúdom nepresahujúcim 30 mA. Požiadajte o to elektrikára.

14. Pravidelne čistite vzduchový filter. Frekvencia čistenia závisí od čistoty vzduchu.

15. Po vypnutí stroja počkajte aspoň 5 minút, kým ho znova zapnete.

16. Na účinné odvlhčovanie by sa mala medzi bočnými stenami zariadení a stlačeným nábytkom alebo záclonami použiť medzera najmenej 20 cm.

17. Aby ste predišli riziku požiaru alebo výbuchu, nestriekajte sušičku

18. Aby ste mohli používať časti krytu, neumiestňujte odvlhčovač do blízkosti vykurovacích zariadení.

19. Odstráňte vodu zhromaždenú v nádrži. Náhodná pitie vody alebo jej používanie s inými ľuďmi môže spôsobiť ochorenie.

20. Nepodporuje zariadenia s odstráneným zadným krytom z dôvodu pohyblivých a horúcich častí.

21. Na rozmrazovanie alebo prevádzkový proces nepoužívajte žiadne iné prostriedky ako tie, ktoré odporúča výrobca.

22. Zariadenie by malo byť k dispozícii ako súčasť trvalého zoznamu zdrojov zapálenia, t. J. Bez otvoreného plameňa, bez pracovného plynového zariadenia alebo bez ohrievača pracovného zariadenia.

23. Neprepichujte ani nefajčite.

24. Vezmite prosím na vedomie, že výrobcovia chladiacich nápojov nesmú obsahovať vôňu.

Pred prvým použitím:

1. Odvlhčovač sa musí používať na rovnom a stabilnom povrchu, udržiavať odstup medzi jednotkou a ostatnými objektmi podľa obrázku 1, aby sa zabezpečila primeraná účinnosť. Zatvorte všetky okná a dvere miestnosti, ktorú chcete zbaviť vzduchu.

2. Aby ste zabránili zamrznutiu vody, nepoužívajte odvlhčovač a vypúšťaciu hadicu pri teplote okolia pod 0 ° C.

3. Nepoužívajte odvlhčovač vonku. Vystavenie priamemu slnečnému žiareniu alebo dažďu môže spôsobiť prehriatie, zásah elektrickým prúdom a požiar.

4. Na odvlhčovač vzduchu neumiestňujte nádrž na vodu, aby ste predišli akémukoľvek úniku vody do jednotky vo vnútri a poškodili

izoláciu.

5. Nikdy sa nepokúšajte použiť odvlhčovač na špeciálne účely, ako je napríklad odvlhčovanie potravín alebo ochrana umeleckých predmetov a podobne.

6. Nepoužívajte odvlhčovač tam, kde môže dôjsť k úniku oleja alebo horľavého plynu. Nepoužívajte prístroj na miestach, ktoré sú vystavené chemikáliám.

7. Pre trvalé vypúšťanie skontrolujte, či je odtoková hadica správne nastavená so sklonením.

8. Dajte pozor, aby vykurovacie zariadenie nebolo vystavené vetru z odvlhčovača.

9. Nepoužívajte odvlhčovač ako stoličku alebo podnožku.

10. Nevyberajte plavákovú páku z nádrže na vodu.

11. Neblokujte prírody vzduchu a výstupy vzduchu.

12. Nezakrývajte jednotku umytým odevom.

Popis produktu: AD7863 2v1 odvlhčovač vzduchu a čistička vzduchu

- | | |
|--|--|
| 1. Ovládací panel | 2. Prívod vzduchu |
| 3. Nádrž na vodu 6,5L | 4. Výstup vzduchu |
| 5. Rukoväť | 6. Plavák |
| 7. HEPA vzduchový filter | 8. Umyvateľný sieťový vzduchový predfilter |
| 9. Kryt filtra | 10. Kontrolka vlhkosti |
| 11. Filter s aktívnym uhlím | 12. Predný digitálny displej |
| 13. Otvor pre potrubie na nepretržitý odtok vody | |

Ovládací panel (1):

- | | |
|--|---|
| A. Vypínač | B. Tlačidlá plus a mínus |
| C. Tlačidlo časovača 0-24 hodín | D. Tlačidlo rýchlosti ventilátora |
| E. Tlačidlo režimu | F. Indikátor režimu sušenia bielizne |
| G. Indikátor režimu normálnej prevádzky | H. Indikátor režimu cirkulácie vzduchu |
| I. Indikátor automatického režimu | J. Indikácia samorozmrazovania zariadenia |
| K. Indikátor vysokej rýchlosti ventilátora | L. Indikátor nízkej rýchlosti ventilátora |
| M. Indikátor časovača | N. Indikátor teploty |
| O. Indikátor vlhkosti | P. Indikátor cieľovej vlhkosti |
| Q. Indikátor plnej nádrže na vodu | R. Indikátor napájania |
| S. LED digitálny displej vlhkosti a časovača a izbovej teploty | |

PODMIENKY POUŽÍVANIA

Tento odvlhčovač nie je vhodný na udržiavanie veľmi nízkej vlhkosti približne 50 % alebo menej .

Tento odvlhčovač je určený na odstraňovanie nepríjemnej vlhkosti v každodennom živote a na pomocné sušenie vypranej bielizne v interiéri . Toto nie je vhodné na udržiavanie veľmi nízkej vlhkosti .

Je normálne, že zariadenie počas prevádzky produkuje teplo a teplota v miestnosti stúpne o 1C až 4C, pretože toto zariadenie nemá funkciu chladenia . Teplota sa zvyšuje pri prevádzke v skrini alebo podobne . Okrem toho sa teplota v miestnosti zvyšuje , pretože dvere a okná sú zatvorené a teplo je produkované inými spotrebičmi v miestnosti a sľečným žiarením . Tento odvlhčovač nie je možné použiť na udržiavanie extrémne nízkej teploty. Funkciou tohto odvlhčovača je odčerpať nepríjemnú vysokú vlhkosť.

FUNKCIA SAMOODMRAZOVANIA ZARIADENIA

Keď sa námraza vytvorí na špirálach výparníka vo vnútri zariadenia, spustí sa funkcia automatického odmrazovania. The kompresor sa vypne a ventilátor bude bežať, kým sa námraza neodstráni. Keď je zariadenie spustené pri izbovej teplote medzi 5 stupňami Celzia a 12 stupňami Celzia sa každých 8 minút prestane rozmrazovať na približne 3 minúty. Keď zariadenie beží pri izbovej teplote medzi 12 stupňami Celzia a 18 stupňa Celzia sa prestane rozmrazovať približne na dobu 5 minút každých 25 minút. Keď zariadenie beží pri izbovej teplote medzi 18 stupňov Celzia a 23 stupňa Celzia každých 120 minút sa na približne 5 minút zastaví, aby sa rozmrazilo. Pred obnovením prevádzky počkajte 3 minúty. Po zastavení kompresora nemôže znovu spustiť prevádzku kým neuplynú 3 minúty. Indikátor (J) na ovládacom paneli (1) svieti po celú dobu, keď je aktívne samorozmrazovanie.

DÔLEŽITÉ !

Funkcia odvlhčovania aj funkcia čistenia vzduchu sa počas rozmrazovania zastaví .

Počas rozmrazovania neodpájajte zástrčku zariadenia ani nevypínajte zariadenie .

Odvlhčovacia kapacita

1. Denný odvlhčovací výkon odvlhčovača závisí od izbovej teploty a relatívnej vlhkosti. Pri rôznych teplotách a relatívnej vlhkosti môže mať rôznu odvlhčovaciu kapacitu.
2. Pri rovnakej izbovej teplote je odvlhčovacia kapacita vyššia pri vyššej relatívnej vlhkosti a odvlhčovacia kapacita je nižšia pri nižšej

relatívnej vlhkosti. Pri rovnakej relatívnej vlhkosti je odvlhčovacia kapacita vyššia pri vyššej teplote a odvlhčovacia kapacita je nižšia pri nižšej teplote.

3. Ak je odvlhčovač umiestnený v skrini, jeho odvlhčovacia kapacita sa môže v krátkom čase po prevádzke výrazne znížiť, pretože vlhkosť v skrini bola výrazne znížená.

4. Pri izbovej teplote 30 °C / 27 °C a relatívnej vlhkosti 80 % / 60 % je kapacita odvlhčovania približne 25 / 13 litrov vody, keď je výstup vzduchu úplne otvorený.

Systém čistenia vzduchu - 3-stupňová filtrácia

Systém je navrhnutý tak, aby odstraňoval nečistoty a pachy vo vzduchu. Zariadenie obsahuje nasledujúce filtre:

1. Umývateľný sieťový vzduchový predfilter (8): používa sa na filtráciu prachu a vlasov vo vzduchu.

2. Filter s aktívnym uhlím: odstraňuje zápach spôsobený napr. cigaretami, domácimi zvieratami atď.

3. HEPA filter H13: Filtruje prach, znečisťujúce častice a osviežuje vzduch. Filter HEPA H13 účinne zadrží 99,95 % častíc znečisťujúcich látok s veľkosťou do 0,3 mikrónu v prúdiacom vzduchu. HEPA filter H13 je vhodný na čistenie vzduchu pre alergikov.

Prevádzka

1. Umiestnite zariadenie vzpriamene, aby ste predišli chybnej prevádzke a neobvyklému zvuku. Dodržiavajte vzdialenosti medzi ostatnými objektmi, ako je znázornené na obrázku 1.

2. HEPA filter (7) je zabalený v polybagových vreckách, pred použitím ho prosím vyberte.

3. Otvorte čierne veko na hornej strane zariadenia, aby mohol vzduch ľahko vychádzať.

4. Zapojte zariadenie, vypínač (A) bliká na ovládacom paneli (1), stlačením ho zapnite. Digitálny displej (S) zobrazuje aktuálnu úroveň vlhkosti v miestnosti. Súčasne sa na prednom hornom okraji zariadenia rozsvieti kontrolka vlhkosti (10).

Počas prevádzky indikátor vlhkosti zobrazuje aktuálnu úroveň vlhkosti v miestnosti:

- Modrá farba znamená nízku vlhkosť pod 50% relatívnej vlhkosti

- Zelená farba znamená strednú vlhkosť v rozmedzí 51% - 69% relatívnej vlhkosti

- Červená farba znamená vysokú vlhkosť nad 70 % relatívnej vlhkosti

Upozorňujeme, že hodnota relatívnej vlhkosti má toleranciu 3 %, keď sa rozsvieti príslušná kontrolka.

5. Stláčaním tlačidla režimu (E) v cykle vyberte požadovaný prevádzkový režim medzi:

- Režim sušenia bielizne – stlačte raz tlačidlo režimu (E), rozsvieti sa indikátor (F). Pre rýchle splnenie funkcie kompresor pracuje nepretržite bez zastavenia, okrem prípadu, keď je nádrž na vodu (3) plná. Ventilátor sa neustále drží vo vysokých otáčkach.

- Normálny prevádzkový režim – znova stlačte tlačidlo režimu (E), rozsvieti sa indikátor (G). Pri normálnej prevádzke kompresor funguje. Používateľ môže nastaviť cieľovú úroveň vlhkosti stlačením tlačidiel plus a minus (3). Nastavený rozsah vlhkosti je: 30%-80% s krokom 5%. Keď dosiahne cieľovú vlhkosť, kompresor prestane fungovať. Ventilátor je možné nastaviť na vysokú aj nízku rýchlosť podľa vašej potreby. Ak chcete vybrať rýchlosť ventilátora medzi nízkou a vysokou rýchlosťou, stlačte tlačidlo (D), príslušný indikátor (K) pre vysokú rýchlosť a (L) pre nízku rýchlosť sa rozsvieti.

- Režim cirkulácie vzduchu – znova stlačte tlačidlo režimu (E), rozsvieti sa kontrolka (H). V tomto režime kompresor nefunguje, funguje len ventilátor. Rýchlosť ventilátora môžete nastaviť medzi: nízkou a vysokou rýchlosťou podľa vašich potrieb.

- Automatický režim — znova stlačte tlačidlo režimu (E), rozsvieti sa indikátor (I). V tomto režime je predvolená cieľová vlhkosť 55 %. Keď vlhkosť v miestnosti dosiahne 55%, kompresor prestane fungovať, ventilátor zostane v činnosti. Keď je vlhkosť v miestnosti vyššia ako 55 %, kompresor začne opäť pracovať.

V prípade výpadku elektriny má zariadenie pamäťovú funkciu a dokáže si zapamätať posledné nastavenie.

Funkcia kontinuálnej drenáže

1. Ak potrebujete odvlhčiť vzduch na dlhší čas, môžete využiť funkciu nepretržitého odvodňovania.

2. Pred dlhodobou nepretržitou prevádzkou je potrebná pravidelná kontrola najmä filtra na čistenie vzduchu, odtokového potrubia a pod.

3. Vyberte nádržku na vodu (3) z pôvodnej polohy, vložte pripojenú rúrku do otvoru pre nepretržitý odtok vody (13) zobrazené na obrázku 5.

4. Keď nastavíte cieľovú vlhkosť v normálnom režime odvlhčovania, môžete nastaviť: 30-35-40-45-50-55-60-65-70-75-80%-CO-30% atď. „CO“ znamená režim nepretržitého odvlhčovania. V tomto režime je možné zvoliť rýchlosť ventilátora medzi nízkou alebo vysokou rýchlosťou.

5. Po ukončení nepretržitého odvlhčovania rozoberte potrubie, umiestnite nádržku na vodu (3) na pôvodné miesto a vypnite zariadenie.

Odtoková hadica: dĺžka: 30 cm, vnútorný priemer: 17 mm, vonkajší priemer: 19 mm.

Prevádzka časovača - funkcia oneskoreného zastavenia

Na nastavenie funkcie Timer OFF - DELAY STOP použite tlačidlo časovača (C).

Funkciu časovača vypnutia je možné nastaviť, keď je zariadenie v prevádzke. Stlačte tlačidlo časovača (C), indikátor časovača (M) sa rozsvieti. LED digitálny displej (S) sa rozsvieti a zobrazí sa „00“, mali by ste stlačiť tlačidlá plus alebo minus (B), aby ste vybrali požadovaný čas vypnutia zariadenia. Po nastavení časovača sa čas zobrazí na 5 sekúnd a zapamätáte si ho. Keď je časovač

nastavený, pre kontrolu zostávajúceho času stlačte tlačidlo časovača (C). Zariadenie sa po uplynutí nastaveného času automaticky vypne. Na resetovanie funkcie časovača je potrebné nepretržite stlačať tlačidlo časovača (C), kým hodnota času bliká, hodnota času sa zmení na nulu. Rozsah časovača je od 1 do 24 hodín s 1-hodinovým intervalom.

Kontrola izbovej teploty

Ak chcete skontrolovať aktuálnu teplotu v miestnosti, stlačte na niekoľko sekúnd tlačidlo Plus, keď sa hodnota zobrazí na digitálnom LED displeji (S), súčasne sa zobrazí indikátor teploty (N).

Kontrola vlhkosti v miestnosti

Ak chcete skontrolovať aktuálnu vlhkosť v miestnosti, pozrite sa na hodnotu zobrazenú na digitálnom LED displeji (S) alebo sa pozrite na hodnotu zobrazenú na prednom digitálnom displeji (12), súčasne sa na ovládači rozsvieti indikátor vlhkosti (O). panel (1). Keď aktuálna vlhkosť v miestnosti dosiahne nastavenú relatívnu vlhkosť, rozsvieti sa indikátor cieľovej vlhkosti (P).

Opätovným stlačením vypínača (A) zariadenie vypnete, zariadenie prestane bežať, iba indikátor napájania (R) bude blikáť, čím informuje, že zariadenie je v pohotovostnom režime. Keď je zariadenie zapnuté. Indikátor napájania (R) svieti.

Vyprázdnenie nádržky na vodu

1. Ak je nádrž na vodu (3) plná alebo nádržka na vodu (3) nie je nainštalovaná v správnej polohe, na ovládacom paneli (1) sa rozsvieti indikátor plnej nádrže na vodu (Q) a zaznie bzučiak. Zariadenie automaticky zastaví prevádzku.
2. Keď kontrolka plnej nádrže na vodu (Q) bliká, zariadenie zastaví prevádzku, kým sa nádržka na vodu nevyprázdni alebo kým sa nenastaví do správnej polohy.
3. Ak chcete vybrať nádržku na vodu (3), potiahnite nádržku na vodu jemne smerom k sebe tak, že budete držať vyduté časti nádržky na vodu. Pozrite si obrázok 3.
4. Nádržku na vodu (3) vyprázdňte pomocou rukoväte na jej prenášanie, potom ju nakloňte, ako je znázornené na obrázku 4 a pomaly vypustíte vodu. Potom by ste mali rukoväť položiť naplocho, než jemne zatlačíte nádržku (3) späť do jej predchádzajúcej polohy vo vnútri krytu.
5. Z času na čas je potrebné nádržku na vodu (6) vyčistiť vo vnútri. Ak chcete otvoriť nádrž na vodu (3), upravte polohu rukoväte nádrže na vodu do tvaru otvorov v dvoch plastových častiach, ku ktorým je rukoväť namontovaná, a jemne roztiahnite oba okraje rukoväte, aby ste rukoväť úplne rozobrali. Teraz môžete otvoriť veko nádržky na vodu a vyčistiť nádržku vodou so saponátom a mäkkou handričkou. Nerozoberajte ani nezdvíhajte plavák (6) z nádržky na vodu (3). Pozrite sa na obrázok

Bzučiak

Keď sa nádržka na vodu (3) počas prevádzky vyberie, zaznie 20 sekúnd.

Čistenie a údržba

1. Pred začatím akéhokoľvek čistenia alebo inej bežnej údržby zariadenie vypnite a odpojte napájací kábel.
2. Aby ste predišli riziku úrazu elektrickým prúdom, nikdy pri čistení odvlhčovač nekropte ani nerozlievajte vodu.
3. Pred premiestnením zariadenia vypnite zariadenie a vypustíte vodu z nádržky na vodu. Pri pohybe držte rukoväť.
4. Utrite kryt zariadenia vlhkou a mäkkou handričkou.
5. Nededontujte plavák (6) z vodnej nádrže (3).
6. Pred plánovanou nepretržitou prevádzkou na dlhú dobu je potrebná pravidelná kontrola najmä sieťového vzduchového filtra (8), filtra s aktívnym uhlím (11) a odtokového potrubia (13) a pod.
7. Čistenie alebo výmena filtrov:
 - odpojte zástrčku a vyberte nádržku na vodu (3)
 - odstráňte kryt filtra (9), ako je znázornené na obrázku 5
 - vyberte sieťový vzduchový filter (8) z puzdra a jemne vyberte filter s aktívnym uhlím (11)
 - vytiahnite HEPA filter (7) zo zariadenia
 - každé dva týždne vyčistíte všetky tri filtre vysávačom alebo ich jemne poklepte, aby ste ich vytriasli. Výkon odvlhčovania sa môže znížiť, ak sú filtre zanesené nečistotami
 - vložte filtre späť a namontujte teleso filtra (9).

Ak sú filtre vážne znečistené, umyte ich vo vode s neutrálnym čistiacim prostriedkom, dobre opláchnite vodou a nechajte uschnúť.

8. Zariadenie nečistíte benzínom, riedidlom alebo tekutým čistiacim prostriedkom.

9. Pred dlhším uskladnením: zviažte napájací kábel, vyprázdňte nádržku na vodu a utrite ju mäkkou handričkou, vyčistíte a vysušte všetky filtre. Postavte zariadenie vo zvislej polohe, aby ste v budúcnosti zabránili poruche alebo abnormálnemu zvuku, nevystavujte ho priamemu slnečnému žiareniu.

Riešenie problémov: pred kontaktovaním predajcu skontrolujte nižšie uvedený zoznam:

1. Problém: žiadna operácia

Kontrolný bod 1: skontrolujte, či je odpojená sieťová zástrčka.

Riešenie 1: úplne a bezpečne zasuňte zástrčku do elektrickej zásuvky

Kontrolný bod 2: skontrolujte , či je nádržka na vodu plná vody

Riešenie 2: Vypustíte vodu z nádrže .

Kontrolný bod 3: skontrolujte, či nádržka na vodu nie je správne nastavená v polohe .

Riešenie 3: Nastavte nádrž na zariadenie správne na miesto

Kontrolný bod 4: skontrolujte, či je zatvorené horné veko z čierneho plastu výstupu vzduchu

Riešenie 4: otvorte horné veko

2. Problém: kapacita odvlhčovača je malá

Kontrolný bod 1: skontrolujte, či nie sú filtre znečistené

Riešenie 1: Vyčistíte filtre podľa pokynov v kapitole Čistenie a údržba v bode 7

Kontrolný bod 2: skontrolujte, či nie sú zablokované vzduchové otvory

Riešenie 2: odstráňte prekážky zo vzduchových otvorov

Kontrolný bod 3: skontrolujte, či je odvlhčovač v režime cirkulácie vzduchu

Riešenie 3: Zmeňte prevádzkový režim na režim odvlhčovania

3. Problém: hlasný zvuk počas prevádzky

Kontrolný bod 1: skontrolujte, či je zariadenie správne nainštalované

Riešenie 1: Nainštalujte zariadenie na rovnú a stabilnú podlahu

4. Problém: vyprané utierky nie sú vysušené

Kontrolný bod 1: skontrolujte, či vyprané oblečenie nie je vystavené vzduchu zo zariadenia

Riešenie 1: Skúste vystaviť vyprané oblečenie prúdeniu vzduchu

Kontrolný bod 2: skontrolujte, či nie je teplota v miestnosti príliš nízka

Riešenie 2: Vyprané oblečenie sa ťažko suší pri nízkych teplotách

Zariadenie funguje správne, keď sa vyskytne nasledujúci jav:

1. Popis javu: Prevádzka sa občas zastaví

Príčina javu: Zariadenie sa odmrazuje

2. Popis javu: Odvlhčený objem je malý

Príčina javu: Pri nízkej izbovej teplote je objem odvlhčovača menší.

3. Popis javu: Vlhkosť v miestnosti je stále vysoká

Príčina javu: Veľkosť miestnosti môže byť príliš veľká . Dvere alebo okná miestnosti môžu byť otvorené a / alebo zatvorené často . Odvlhčovač sa používa v blízkosti petrolejového ohrievača, ktorý uvoľňuje paru .

4. Popis javu: Zápach počas prevádzky

Príčina javu: Zo stien , nábytku alebo iných predmetov vychádza zápach .

5. Popis javu: V zariadení vzniká zvuk

Príčina javu: Cirkulácia chladiva môže spôsobovať zvuk, kým nebude stabilná .

6. Popis javu: V nádržke na vodu zostáva voda

Príčina javu: Voda zostala, pretože zariadenie bolo v továrni podrobené testu odvlhčovania

7. Popis javu: Zaznie bzučiaci

Príčina javu: Keď je nádržka na vodu plná vody, zaznie bzučiaci .

UPOZORNENIE: Chladivo je možné naplniť iba výrobcom.

TECHNICKÉ DÁTA:

Kapacita odvlhčovania pri 30 °C / 80% RH): 25 litrov / 24 hodín

Kapacita odvlhčovania pri 27°C / 60% RH): 13 litrov / 24 hodín

Hladina hluku: <= 48 dB (A)

Objem nádržky na vodu: 6,5 litra

Prietok vzduchu: 195 m³ / hod

Hmotnosť chladiacej kvapaliny R290: max. 65 gramov

Menovitý príkon: 320W

Max. Menovitý príkon: 420W

Napájanie: 220-240V ~50Hz



Pozor, nebezpečenstvo požiaru.

NEPrepichujte ani nespáľujte.

Majte na pamäti, že chladivo nemusí obsahovať zápach.

Maximálne množstvo chladiva: 65 g.



Starostlivosť o životné prostredie. Kartónový obal odovzdajte do zberných surovín. Polyetylénové vrecká (PE) vyhodte do kontajnera na plast. Opatrebný spotrebič odovzdajte na príslušný zberný dvor, nebezpečné látky spotrebiča môžu predstavovať riziko pre životné prostredie. Elektrosprebič odstráňte tak, aby nedochádzalo k jeho ďalšiemu použitiu. Ak sa v spotrebiči nachádzajú batérie, vyberte ich a odovzdajte ich na zberné miesto osobitne. Spotrebič nevyhadzujte do kontajnera na komunálny odpad!

KARTA GWARANCYJNA

WARUNKI GWARANCJI obowiązują na terenie Rzeczypospolitej Polskiej

Adler Sp. z o.o. ul. Ordona 2a 01-237 Warszawa zapewnia Użytkownika o dobrej jakości sprzętu, na który wydana jest niniejsza karta gwarancyjna i udziela 24 miesięcznej gwarancji, która liczy się od daty zakupu sprzętu. Usługi gwarancyjne świadczone są po okazaniu prawidłowo wypełnionej karty gwarancyjnej. Wady lub uszkodzenia sprzętu ujawnione w okresie gwarancji usuwane będą bezpłatnie przez Serwis Centralny. W przypadku zakupu sprzętu przez przedsiębiorcę (faktura VAT) okres gwarancji wynosi 12 miesięcy.

Powyższy zapis nie dotyczy jednoosobowych działalności gospodarczych, o ile rodzaj zakupionego sprzętu, nie jest związany z profilem prowadzonej działalności gospodarczej – weryfikacja w CEIDG. W przypadku wymiany rzeczy na nową, albo po dokonaniu istotnej naprawy, okres gwarancji biegnie na nowo od chwili dostarczenia klientowi rzeczy wolnej od wad, lub zwrócenia rzeczy naprawionej. Jeżeli gwarant wymienił część rzeczy, przepis powyższy stosuje się odpowiednio do części wymienionej. Gwarant zobowiązuje się pokryć koszty dostarczenia rzeczy do serwisu na adres wskazany w karcie gwarancyjnej. Jednakże uprawniony z gwarancji powinien zachować rozsądek, wybierając środek transportu. Uprawnionemu z gwarancji nie przysługuje od gwaranta zwrot kosztów dostarczenia towaru – rzeczy do naprawy gwarancyjnej, przekraczający ekonomicznie uzasadnione koszty przewozu.

UWAGA: Sprzęt przeznaczony jest wyłącznie do użytku domowego. Naprawami gwarancyjnymi nie są objęte czynności związane z odkamienianiem, konserwacją, czyszczeniem urządzenia oraz części i akcesoria ulegające zużyciu przy normalnym użytkowaniu. Gwarancja nie obejmuje mechanicznych uszkodzeń sprzętu oraz wad i uszkodzeń wynikłych wskutek:

- niewłaściwego lub niezgodnego z instrukcją użytkowania, przechowywania i konserwacji;
- ingerencji nieautoryzowanego serwisu, samowolnych napraw, przeróbek i zmian konstrukcyjnych;
- użycia niewłaściwych materiałów eksploatacyjnych.
- uszkodzeń mechanicznych, termicznych, chemicznych i powstałych na skutek przepięcia w sieci.
- karta gwarancyjna jest nieważna bez daty zakupu, pieczęci sprzedającego i kopii dokumentu zakupu.
- gwarancją nie są objęte elementy eksploatacyjne i akcesoria w tym: elementy szklane (np. dzbanki, talerze), sznury przyłączeniowe, sieciowe, żarówki, baterie, nożyki i folie do urządzeń tnących, nasadki miksujące, trzepak, mieszaki, ssawkoszczotki, rury, węże, kubki miksujące, głowice tnące i sita.

Reklamowany sprzęt jest dostarczany do Serwisu Centralnego przez Klienta w stanie kompletnym i odpowiednio zabezpieczony na czas transportu. Po dokonanej naprawie reklamowany sprzęt odbierany jest z Serwisu Centralnego przez Klienta.

Termin usunięcia wady może zostać wydłużony o czas potrzebny do importu niezbędnych części, nie dłuższy niż 30 dni roboczych. W każdym takim przypadku warsztat serwisowy powiadomi klienta o wydłużeniu terminu naprawy gwarancyjnej. W związku z koniecznością sprowadzenia części zamiennych i poinformuje o nowym terminie usunięcia wady.

W przypadku stwierdzenia usterki należy ją zgłosić w punkcie sprzedaży lub w Serwisie Centralnym, ul. Ordona 2A, 01-237 Warszawa, tel. 728-595-006 lub e-mail: serwis@adler.com.pl.

W zgłoszeniu proszę podać swój adres, nr telefonu i opis usterki. Do reklamacji konieczne jest dołączenie

SERWIS CENTRALNY

01-237 Warszawa ul.Ordona 2A

tel. 728 - 595 - 006

serwis@adler.com.pl www.adler.com.pl

.....

(data sprzedaży)

.....
(pieczęćka sklepu i podpis sprzedawcy)

adnotacje serwisu:



W trosce o środowisko.

Opakowania kartonowe oraz worki polietylenowe (PE) należy wyrzucać do odpowiednich pojemników przeznaczonych do selektywnej zbiórki odpadów komunalnych zgodnie z ich opisem. Jeżeli w urządzeniu znajdują się baterie, należy je wyjąć i osobno oddać do punktu zbierania i składowania. Zużyte urządzenia należy oddać do odpowiedniego punktu zbierania i składowania, gdyż znajdujące się w nim niebezpieczne substancje mogą stanowić zagrożenie dla zdrowia i środowiska. Oznaczenie umieszczone na produkcie wskazuje, że urządzenia nie należy wyrzucać do pojemnika z odpadami komunalnymi.



Zużyty sprzęt elektryczny, to odpady, które zawierają substancje szkodliwe dla ludzi, zwierząt i środowiska. Substancje te mogą doprowadzić do zanieczyszczenia gleby, wody lub powietrza, a poprzez to mogą się dostać do organizmu człowieka i doprowadzić do licznych dolegliwości zdrowotnych, takich jak: zaburzenia wzroku, słuchu, mowy, mogą również doprowadzić do uszkodzenia nerek, wątroby i serca, oraz wywołać choroby skóry. Substancje szkodliwe mogą mieć również niekorzystny wpływ na układ oddechowy i rozrodczy oraz doprowadzić do zmian nowotworowych. Spożycie roślin rosnących na skażonych glebach, oraz produktów powstałych z

Urządzenia nie wyrzucać do pojemnika na odpady komunalne !!!!

OGÓLNE WARUNKI BEZPIECZEŃSTWA
WAŻNE INSTRUKCJE DOTYCZĄCE BEZPIECZEŃSTWA UŻYTKOWANIA
PRZECZYTAJ UWAŻNIE I ZACHOWAJ NA PRZYSZŁOŚĆ

1. Przed rozpoczęciem użytkowania urządzenia należy przeczytać instrukcję obsługi i postępować według wskazówek w niej zawartych. Producent nie odpowiada za szkody spowodowane użytkowaniem urządzenia niezgodnie z jego przeznaczeniem lub niewłaściwą jego obsługą.
2. Urządzenie służy wyłącznie do użytku domowego. Nie używać do innych celów, niezgodnych z jego przeznaczeniem.
3. Urządzenie należy podłączyć wyłącznie do gniazdka prądu przemiennego z uziemieniem 220 240V~50Hz. W celu zwiększenia bezpieczeństwa użytkowania do jednego obwodu prądu nie należy równocześnie włączać wielu urządzeń elektrycznych.
4. Należy zachować szczególną ostrożność podczas korzystania z urządzenia, gdy w pobliżu przebywają dzieci. Nie należy dopuszczać dzieci do zabawy urządzeniem nie pozwól dzieciom ani osobom nie zaznajomionym z urządzeniem na jego użytkowanie.
5. OSTRZEŻENIE: Niniejszy sprzęt może być użytkowany przez dzieci powyżej 8 roku życia oraz osoby o ograniczonej zdolności fizycznej, czuciowej lub psychicznej, lub osoby nie mające doświadczenia lub znajomości sprzętu, jeśli odbywa się to pod nadzorem osoby odpowiadającej za ich bezpieczeństwo lub zostały im udzielone wskazówki na temat bezpiecznego użytkowania urządzenia i mają świadomość niebezpieczeństwa związanego z jego użytkowaniem. Dzieci nie powinny bawić się sprzętem. Czyszczenie i konserwacja urządzenia nie powinna być wykonywana przez dzieci, chyba że są powyżej 8 roku życia a czynności te są wykonywane pod nadzorem.
6. Zawsze po zakończeniu używania, wyjmij wtyczkę z gniazda zasilającego poprzez przytrzymanie gniazdka ręką. NIE ciągnąć za sznur sieciowy.
7. Nie zanurzać kabla, wtyczki oraz całego urządzenia w wodzie lub innej cieczy. Nie wystawiaj urządzenia na działanie warunków atmosferycznych (deszczu, słońca, etc.) ani nie używaj w warunkach podwyższonej wilgotności (łazienki, wilgotne domki kempingowe).
8. Okresowo sprawdzaj stan przewodu zasilającego. Jeżeli przewód zasilający jest uszkodzony, to powinien on być wymieniony przez specjalistyczny zakład naprawczy w celu uniknięcia zagrożenia.
9. Nie używaj urządzenia z uszkodzonym przewodem zasilającym lub jeśli zostało upuszczone lub uszkodzone w jakikolwiek inny sposób lub nieprawidłowo pracuje. Nie naprawiaj urządzenia samodzielnie, gdyż grozi to porażeniem. Uszkodzone urządzenie oddaj do właściwego punktu serwisowego w celu sprawdzenia lub dokonania naprawy. Wszelkich napraw mogą dokonywać wyłącznie uprawnione punkty serwisowe. Nieprawidłowo wykonana naprawa może spowodować poważne zagrożenie dla użytkownika.
10. Należy stawiać urządzenie na chłodnej stabilnej, równej powierzchni, z dala od nagrzewających się urządzeń kuchennych jak: kuchenka elektryczna, palnik gazowy,

itp.....

11. Upewnij się, że nic nie blokuje wlotu i wylotu powietrza do urządzenia

12. Używaj urządzenia tylko na równej poziomej powierzchni by zapobiec wylaniu się skroplonej wody

13. Do zapewnienia dodatkowej ochrony, wskazane jest zainstalowanie w obwodzie elektrycznym, urządzenia różnicowoprądowego (RCD) o znamionowym prądzie różnicowym nie przekraczającym 30mA. W tym zakresie należy zwrócić się do specjalisty elektryka.

14. Czyść regularnie filtr powietrza. Częstotliwość czyszczenia zależy od czystości powietrza.

15. Po wyłączeniu urządzenia odczekaj co najmniej 5 minut przed ponownym włączeniem.

16. Dla zapewnienia efektywnego osuszania należy zachować odstęp co najmniej 20 cm między ściankami bocznymi urządzenia, a ścianą bądź meblami czy zasłonami.

17. Aby uniknąć ryzyka pożaru lub wybuchu, nie pryskaj rozpylaczem osuszacza

18. Aby zapobiec stopieniu lub zapaleniu się części obudowy, nie należy umieszczać osuszacza w pobliżu urządzeń grzewczych.

19. Usunąć wodę zgromadzoną w zbiorniku. Przypadkowe wypicie wody lub użycie jej do innych celów może spowodować chorobę.

20. Nie obsługiwać urządzenia ze zdjętą tylną pokrywą z powodu ruchomych i gorących części.

21. Nie należy używać żadnych środków do przyspieszenia procesu rozmrażania lub czyszczenia, niż te zalecane przez producenta.

22. Urządzenie należy przechowywać w pomieszczeniu bez stale działających źródeł zapłonu to znaczy: bez otwartego ognia, bez działającego urządzenia gazowego lub bez działającego grzejnika elektrycznego.

23. Nie przekłuwać ani nie palić.

24. Należy pamiętać, że czynniki chłodnicze mogą nie zawierać zapachu.

Przed pierwszym użyciem

1. Osuszacz musi być używany na poziomej i stabilnej powierzchni, zachowując odległości między urządzeniem a innymi obiektami zgodnie z rysunkiem 1 aby zapewnić odpowiednią wydajność. Zamknij wszystkie okna i drzwi pokoju, w którym chcesz osuszać powietrze.

2. Aby zapobiec zamarzaniu wody, nie używaj osuszacza i węża spustowego w temperaturze otoczenia poniżej 0°C

3. Nie używaj osuszacza na zewnątrz. Wystawienie na bezpośrednie działanie promieni słonecznych lub deszczu może spowodować przegrzanie, porażenie prądem i pożar.

4. Nie stawiaj zbiornika na osuszacz, aby uniknąć rozlania wody do wnętrza urządzenia i pogorszenia izolacji.

5. Nigdy nie próbuj używać osuszacza do specjalnych zastosowań, takich jak osuszanie żywności lub konserwacja przedmiotów artystycznych itp.

6. Nie używaj osuszacza w miejscach, w których może dojść do wycieku oleju lub łatwopalnego gazu. Nie używaj urządzenia w miejscach narażonych na chemikalia.

7. W celu ciągłego opróżniania upewnij się, że wąż odpływowy jest prawidłowo ustawiony ze spadkiem.

8. Uważaj, aby urządzenie grzewcze nie było narażone na działanie wiatru z osuszacza.

9. Nie używaj osuszacza jako krzesła lub podnóżka.
10. Nie wyjmuj dźwigni pływaka ze zbiornika wody.
11. Nie blokuj wlotów i wylotów powietrza.
12. Nie przykrywaj urządzenia praną odzieżą.

Opis produktu: AD7863 2w1 Osuszacz i oczyszczacz powietrza

- | | |
|--|---|
| 1. Panel sterowania | 2. Wlot powietrza |
| 3. Zbiornik na wodę 6,5L | 4. Wylot powietrza |
| 5. Uchwyt | 6. Pływak |
| 7. Filtr powietrza HEPA | 8. Siateczkowy, wstępny filtr powietrza |
| 9. Obudowa filtra | 10. Kontrolka wilgotności |
| 11. Filtr z węglem aktywnym | 12. Frontowy wyświetlacz cyfrowy |
| 13. Otwór na wąż spustowy do ciągłego odpływu wody | |

Panel sterowania (1):

- | | |
|--|---|
| A. Przełącznik zasilania | B. Przyciski plus i minus |
| C. Przycisk timera 0-24 godzin | D. Przycisk prędkości wentylatora |
| E. Przycisk wyboru trybu | F. Wskaźnik trybu suszenia ubrań |
| G. Wskaźnik trybu normalnej pracy | H. Wskaźnik trybu cyrkulacji powietrza |
| I. Wskaźnik trybu automatycznego | J. Wskaźnik samorozmrażania urządzenia |
| K. Wskaźnik wysokiej prędkości wentylatora | L. Wskaźnik niskiej prędkości wentylatora |
| M. Wskaźnik timera | N. Wskaźnik temperatury |
| O. Wskaźnik wilgotności | P. Wskaźnik docelowej wilgotności |
| Q. Wskaźnik pełnego zbiornika wody | R. Wskaźnik zasilania |
| S. Cyfrowy wyświetlacz LED wilgotności, timera i temperatury pokojowej | |

WARUNKI UŻYTKOWANIA

Ten osuszacz nie nadaje się do utrzymywania bardzo niskiej wilgotności, około 50% lub mniej. Osuszacz przeznaczony jest do usuwania nieprzyjemnej wilgoci występującej na co dzień oraz do pomocniczego suszenia wypranej odzieży w pomieszczeniach zamkniętych. Nie nadaje się do utrzymywania bardzo niskiej wilgotności.

To normalne, że urządzenie wytwarza ciepło podczas pracy, a temperatura w pomieszczeniu wzrasta o 1°C do 4°C, ponieważ to urządzenie nie posiada funkcji chłodzenia. Temperatura wzrasta, gdy urządzenie jest używane w szafie lub podobnym miejscu. Ponadto temperatura w pomieszczeniu wzrasta, ponieważ drzwi i okna są zamknięte, a ciepło wytwarzane jest przez inne urządzenia w pomieszczeniu i promieniowanie słoneczne. Ten osuszacz nie może być stosowany do utrzymywania ekstremalnie niskiej temperatury. Zadaniem tego osuszacza jest odpompowanie nieprzyjemnej, wysokiej wilgoci.

FUNKCJA SAMOROZMRAŻANIA URZĄDZENIA

Gdy na węzownicach parownika wewnątrz urządzenia zgromadzi się szron, uruchomiona zostanie funkcja automatycznego odszraniania. Sprężarka wyłączy się, a wentylator będzie działał do czasu usunięcia szronu. Gdy urządzenie działa w temperaturze pokojowej od 5 stopni Celsjusza do 12 stopni Celsjusza, rozmrażanie będzie zatrzymywane na około 3 minuty co 8 minut. Gdy urządzenie działa w temperaturze pokojowej od 12 stopni Celsjusza do 18 stopni Celsjusza, rozmrażanie zostanie zatrzymane na około 5 minut co 25 minut. Gdy urządzenie działa w temperaturze pokojowej od 18 stopni Celsjusza do 23 stopni Celsjusza, rozmrażanie zostanie zatrzymane na około 5 minut co 120 minut. Odczekaj 3 minuty przed wznowieniem pracy. Po zatrzymaniu sprężarki nie można jej ponownie uruchomić przed upływem 3 minut. Wskaźnik (J) na panelu sterowania (1) świeci się przez cały czas, gdy włączone jest samorozmrażanie.

WAŻNE !

Zarówno funkcja osuszania, jak i funkcja oczyszczania powietrza zatrzymują się podczas samooszraniania.

Nie należy odłączać wtyczki urządzenia ani wyłączać urządzenia w trakcie rozmrażania.

Wydajność osuszania

1. Dzienna wydajność osuszacza zależy od temperatury w pomieszczeniu i wilgotności względnej. Przy różnych temperaturach i wilgotności względnej może mieć różną wydajność osuszania.
2. W tej samej temperaturze pokojowej wydajność osuszania jest większa przy wyższej wilgotności względnej, a wydajność osuszania jest niższa przy niższej wilgotności względnej. Przy tej samej wilgotności względnej wydajność osuszania jest wyższa w wyższej temperaturze, a wydajność osuszania jest niższa w niższej temperaturze.
3. Jeśli osuszacz zostanie umieszczony w szafce, jego wydajność osuszania może znacznie spaść w krótkim czasie po

uruchomieniu, ze względu na znaczny spadek wilgotności w szafce.

4. Dla temperatury pokojowej 30°C / 27°C i wilgotności względnej 80% / 60% wydajność osuszania wynosi odpowiednio około 25/13 litrów wody przy całkowicie otwartym wylocie powietrza.

System oczyszczania powietrza – 3-stopniowa filtracja

System przeznaczony jest do usuwania cząstek zanieczyszczeń, i zapachów z powietrza. W skład urządzenia wchodzi następujące filtry:

1. Zmywalny siatkowy filtr wstępny (8): służy do filtrowania kurzu i włosów w powietrzu.
2. Filtr z węglem aktywnym: usuwania nieprzyjemnych zapachy np. palenia papierosów, zwierząt domowych, itp..
3. Filtr HEPA H13: filtruje kurz, cząsteczki zanieczyszczeń i działa odświeżająco. Filtr HEPA H13 skutecznie zatrzymuje w przepływającym powietrzu 99,95% cząstek zanieczyszczeń o wielkości do 0,3 mikrona. Filtr HEPA H13 jest odpowiedni do oczyszczania powietrza dla alergików.

Obsługa

1. Proszę ustawić urządzenie pionowo, aby uniknąć przerw w działaniu i nietypowego dźwięku. Zachowaj odległości pomiędzy innymi obiektami jak na rysunku 1.

2. Filtr HEPA (7) jest zapakowany w torebkę foliową, należy je wyjąć przed użyciem.

3. Otwórz czarną pokrywę na górze urządzenia, aby umożliwić swobodny wypływ powietrza.

4. Podłącz urządzenie, na panelu sterowania (1) miga przełącznik zasilania (A), wciśnij go, aby włączyć urządzenie. Cyfrowy wyświetlacz (S) pokaże aktualny poziom wilgotności w pomieszczeniu. Jednocześnie zaświeci się kontrolka wilgotności (10) na przedniej górnej krawędzi urządzenia.

Podczas pracy kontrolka wilgotności pokazuje aktualny poziom wilgotności w pomieszczeniu:

- Kolor niebieski oznacza niską wilgotność poniżej 50% wilgotności względnej
- Kolor zielony oznacza średnią wilgotność w zakresie 51% - 69% wilgotności względnej
- Kolor czerwony oznacza wysoką wilgotność powyżej 70% wilgotności względnej

Należy pamiętać, że wartość wilgotności względnej ma tolerancję 3%, gdy zapali się odpowiednia lampka sygnalizacyjna.

5. Naciśnij przycisk wyboru trybu (E) po kolei, aby wybrać żądany tryb pracy pomiędzy:

- Tryb suszenia ubrań – naciśnij jeden raz przycisk trybu (E), zaświeci się kontrolka (F). Aby zapewnić szybkie spełnienie funkcji, sprężarka pracuje nieprzerwanie, za wyjątkiem sytuacji, gdy zbiornik na wodę (3) jest pełny. Wentylator cały czas pracuje na wysokich obrotach.
- Tryb pracy normalnej – ponownie naciśnij przycisk trybu (E), zaświeci się kontrolka (G). Podczas normalnej pracy sprężarka pracuje. Użytkownik może ustawić docelowy poziom wilgotności naciskając przyciski plus i minus (3). Ustawiony zakres wilgotności wynosi 30%–80% z odstępem co 5%. Po osiągnięciu docelowej wilgotności sprężarka przestaje działać. Wentylator można ustawić zarówno na wysoką, jak i niską prędkość w zależności od potrzeb. Aby wybrać prędkość wentylatora pomiędzy niską a wysoką, naciśnij przycisk (D), zaświeci się odpowiedni wskaźnik (K) dla dużej prędkości i (L) dla niskiej prędkości.
- Tryb cyrkulacji powietrza – naciśnij ponownie przycisk trybu (E), wskaźnik (H) zaświeci się. W tym trybie sprężarka nie pracuje, pracuje tylko wentylator. Możesz dostosować prędkość wentylatora pomiędzy: niską i wysoką prędkością, w zależności od potrzeb.
- Tryb automatyczny — naciśnij ponownie przycisk trybu (E), zaświeci się kontrolka (I). W tym trybie domyślna wilgotność docelowa wynosi 55%. Gdy wilgotność w pomieszczeniu osiągnie 55%, sprężarka przestaje działać, działa tylko wentylator. Gdy wilgotność w pomieszczeniu przekroczy 55%, sprężarka ponownie zacznie pracować.

W przypadku braku prądu urządzenie posiada funkcję pamięci i pamięta ostatnią konfigurację.

Funkcja ciągłego osuszania

1. Jeśli potrzebujesz osuszać powietrze przez dłuższy czas, możesz skorzystać z funkcji ciągłego osuszania.
 2. Przed dłuższą pracą ciągłą wymagana jest okresowa kontrola, zwłaszcza filtra powietrza, wąż spustowy i tym podobnych.
 3. Wyjmij zbiornik na wodę (3) z pierwotnej pozycji, włóż dołączoną rurkę do otworu ciągłego odprowadzania wody (13) jak pokazano na rysunku 5.
 4. Po ustawieniu docelowej wilgotności w normalnym trybie osuszania możesz ustawić: 30-35-40-45-50-55-60-65-70-75-80%-CO-30% i tak dalej. „CO” oznacza tryb ciągłego osuszania. W tym trybie prędkość wentylatora można wybrać pomiędzy niską lub wysoką prędkością.
 5. Po zakończeniu ciągłego osuszania zdemontuj wąż spustowy, ustaw zbiornik na wodę (3) w pierwotnym miejscu i wyłącz urządzenie.
- Wąż spustowy: długość: 30 cm, średnica wewnętrzna: 17 mm, średnica zewnętrzna: 19 mm.

Działanie timera – funkcja opóźnienia wyłączenia

Aby ustawić funkcję Timer OFF - OPÓŹNIONE ZATRZYMANIE użyj przycisku timera (C)

Funkcję timera wyłączającego można ustawić, gdy urządzenie pracuje. Naciśnij przycisk timera (C), wskaźnik timera (M) zaświeci się. Zaświeci się cyfrowy wyświetlacz LED (S) i pojawi się „00”, należy nacisnąć przycisk plus lub minus (B), aby wybrać żądany czas wyłączenia urządzenia. Po ustawieniu timera, czas będzie wyświetlany przez 5 sekund i zostanie zapamiętany. Po ustawieniu

timera, aby sprawdzić pozostały czas, naciśnij przycisk timera (C). Urządzenie wyłączy się automatycznie po upływie ustawionego czasu. Aby zresetować funkcję timera, należy nacisnąć i przytrzymać przycisk timera (C), gdy wartość czasu miga, wartość czasu zostanie zmieniona na zero. Zakres timera wynosi od 1 do 24 godzin z 1-godzinnym odstępem.

Sprawdzanie temperatury w pomieszczeniu

Aby sprawdzić aktualną temperaturę w pomieszczeniu, należy nacisnąć przycisk Plus na kilka sekund, gdy wartość zostanie wyświetlona na cyfrowym wyświetlaczu LED (S), jednocześnie wyświetli się wskaźnik temperatury (N).

Sprawdzanie wilgotności w pomieszczeniu

Aby sprawdzić aktualną wilgotność w pomieszczeniu, spójrz na wartość pokazywaną na cyfrowym wyświetlaczu LED (S) lub spójrz na wartość pokazywaną na frontowym wyświetlaczu cyfrowym (12), w tym samym czasie zaświeci się wskaźnik wilgotności (O). Gdy aktualna wilgotność w pomieszczeniu osiągnie ustaloną wilgotność względną, na panelu sterowania (1) zaświeci się wskaźnik docelowej wilgotności (P).

Naciśnij ponownie wyłącznik zasilania (A), aby wyłączyć urządzenie, urządzenie przestanie działać, jedynie wskaźnik zasilania (R) zacznie migać, informując, że urządzenie znajduje się w stanie gotowości. Gdy urządzenie jest włączone. Wskaźnik zasilania (R) zaświeci się.

Opróżnianie zbiornika na wodę

1. Jeżeli zbiornik na wodę (3) jest pełny lub nie jest zainstalowany we właściwej pozycji, na panelu sterowania (1) zapala się wskaźnik pełnego zbiornika wody (Q) i włącza się sygnał dźwiękowy. Urządzenie automatycznie przestanie działać.
2. Gdy miga kontrolka pełnego zbiornika na wodę (Q), urządzenie przestaje działać do czasu opróżnienia zbiornika na wodę lub ustawienia go we właściwej pozycji.
3. Aby wyjąć zbiornik na wodę (3), delikatnie pociągnij zbiornik na wodę do siebie, trzymając wklęsłe części zbiornika na wodę. Spójrz na zdjęcie 3.
4. Aby opróżnić zbiornik na wodę (3), użyj uchwytu do jego przenoszenia, a następnie przechyl go w sposób pokazany na rysunku 4 i powoli wylać wodę. Następnie należy położyć rączkę płasko przed delikatnym wepchnięciem zbiornika (3) do poprzedniego miejsca wewnątrz obudowy.
5. Od czasu do czasu należy wyczyścić zbiornik na wodę (6). Aby otworzyć zbiornik na wodę (3), dopasuj położenie uchwytu zbiornika do kształtu otworów w dwóch plastikowych częściach, do których montowany jest uchwyt, i delikatnie rozsuń obie krawędzie uchwytu, aby całkowicie zdemontować uchwyt. Teraz możesz otworzyć pokrywę zbiornika na wodę i wyczyścić zbiornik wodą z dodatkiem płynu do mycia naczyń i miękkiej ściereczki. Nie demontuj ani nie podnoś pływaką (6) ze zbiornika wody (3). Zobacz zdjęcie

Brzęczyk

Sygnał dźwiękowy trwa 20 sekund, gdy podczas pracy zostanie wyjęty zbiornik na wodę (3).

Czyszczenie i konserwacja

1. Przed przystąpieniem do czyszczenia lub innej rutynowej konserwacji wyłącz urządzenie i odłącz wtyczkę z gniazdka.
2. Aby uniknąć ryzyka porażenia prądem, nigdy nie spryskuj osuszacza wodą ani nie rozlewaj go podczas czyszczenia.
3. Przed przeniesieniem urządzenia wyłącz urządzenie i opróżnij zbiornik na wodę. Podczas przenoszenia należy trzymać za uchwyt.
4. Przetrzyj obudowę urządzenia wilgotną i miękką szmatką.
5. Nie demontuj pływaką (6) ze zbiornika wody (3).
6. Przed planowaną ciągłą pracą przez dłuższy czas wymagana jest okresowa kontrola, zwłaszcza siatkowego filtra powietrza (8), filtra z węglem aktywnym (11) i rury spustowej (13) itp.
7. Aby oczyścić lub wymienić filtry należy:
 - odłączyć wtyczkę i wyjąć zbiornik na wodę (3)
 - zdemontować obudowę filtra (9) jak pokazano na rysunku 5
 - wyjąć filtr siatkowy powietrza (8) z obudowy i delikatnie wyjąć filtr z węglem aktywnym (11)
 - wyciągnąć filtr HEPA (7) z urządzenia
 - co dwa tygodnie czyść wszystkie trzy filtry odkurzaczem lub lekko je poklepuj aby wytrzeć. Wydajność osuszania może się zmniejszyć, jeśli filtry są zatkane zanieczyszczeniami
 - włóż filtry z powrotem i ponownie zamontować obudowę filtra (9).Jeżeli filtry są poważnie zabrudzone, należy je umyć w wodzie z dodatkiem neutralnego detergentu, dokładnie spłukać wodą i pozostawić do wyschnięcia.
8. Nie czyścić urządzenia benzyną, rozcieńczalnikiem lub płynnym detergentem.
9. Przed dłuższym przechowywaniem: związać przewód zasilający, opróżnić zbiornik na wodę i wytrzeć go miękką szmatką, oczyścić i wysuszyć wszystkie filtry. Ustaw urządzenie w pozycji pionowej, aby uniknąć nieprawidłowego działania lub

nieprawidłowego dźwięku w przyszłości, unikaj narażenia na bezpośrednie działanie promieni słonecznych.

Problem – rozwiązywanie problemów: sprawdź poniższą listę, zanim skontaktujesz się ze sprzedawcą:

1. Problem: nie działania

Punkt kontrolny 1: sprawdź czy wtyczka zasilania jest odłączona.

Rozwiązanie 1: włóż wtyczkę do gniazdka elektrycznego całkowicie i bezpiecznie

Punkt kontrolny 2: sprawdź, czy zbiornik na wodę jest pełny wody

Rozwiązanie 2: Opróżnij zbiornik z wody.

Punkt kontrolny 3: sprawdź, czy zbiornik na wodę nie jest prawidłowo ustawiony.

Rozwiązanie 3: Ustaw zbiornik na urządzeniu w odpowiedniej pozycji

Punkt kontrolny 4: sprawdź, czy górną pokrywę wylotu powietrza wykonana z czarnego plastiku jest zamknięta

Rozwiązanie 4: otwórz górną pokrywę

2. Problem: wydajność osuszania jest mała

Punkt kontrolny 1: sprawdź czy filtry nie są brudne

Rozwiązanie 1: Wyczyść filtry zgodnie z opisem w rozdziale Czyszczenie i konserwacja w punkcie 7

Punkt kontrolny 2: sprawdź, czy otwory wentylacyjne nie są zatkane

Rozwiązanie 2: usuń przeszkody z otworów wentylacyjnych

Punkt kontrolny 3: sprawdź, czy osuszacz znajduje się w trybie cyrkulacji powietrza

Rozwiązanie 3: Zmień tryb pracy na tryb osuszania

3. Problem: głośny dźwięk podczas pracy

Punkt kontrolny 1: sprawdź, czy urządzenie jest prawidłowo zainstalowane

Rozwiązanie 1: Zainstaluj urządzenie na równej i stabilnej podłodze

4. Problem: wyprana odzież nie wysycha

Punkt kontrolny 1: sprawdź, czy wyprana odzież nie jest wystawiona na działanie powietrza z urządzenia

Rozwiązanie 1: Spróbuj skierować wyprane ubrania na działanie strumienia powietrza

Punkt kontrolny 2: sprawdź, czy temperatura w pomieszczeniu nie jest zbyt niska

Rozwiązanie 2: Wyprane ubrania trudno suszyć w niskich temperaturach

Urządzenie pracuje prawidłowo w przypadku wystąpienia następującego zjawiska:

1. Opis zjawiska: Praca czasami się zatrzymuje

Przyczyna zjawiska: Urządzenie rozmraża się

2. Opis zjawiska: Objętość osuszonego powietrza jest niewielka

Przyczyna zjawiska: Objętość osuszacza jest mniejsza, gdy temperatura w pomieszczeniu jest niska.

3. Opis zjawiska: Wilgotność w pomieszczeniu jest nadal wysoka

Przyczyna zjawiska: Rozmiar pomieszczenia może być zbyt duży. Drzwi lub okna pomieszczenia mogą być otwierane i/lub zamykane

często. Osuszacz pracuje w sąsiedztwie grzejnika na naftę, który emituje parę.

4. Opis zjawiska: Nieprzyjemny zapach podczas pracy

Przyczyna zjawiska: Ze ścian, mebli i innych przedmiotów wydobywa się zapach.

5. Opis zjawiska: Wewnątrz urządzenia wytwarzany jest dźwięk

Przyczyna zjawiska: Cyrkulacja czynnika chłodniczego może powodować dźwięki, dopóki nie ustabilizują się

6. Opis zjawiska: W zbiorniku na wodę pozostaje woda

Przyczyna zjawiska: Pozostała woda, ponieważ urządzenie zostało fabrycznie poddane testowi osuszania

7. Opis zjawiska: Rozlega się sygnał dźwiękowy

Przyczyna zjawiska: Brzęczyk włącza się, gdy zbiornik na wodę jest pełen wody

UWAGA: Czynniki chłodnicze mogą być uzupełniane wyłącznie fabrycznie.

DANE TECHNICZNE:

Wydajność osuszania przy 30°C / 80% RH): 25 litrów / 24 godziny

Wydajność osuszania przy 27°C / 60% RH): 13 litrów / 24 godziny

Poziom hałas: ≤ 48dB (A)

Pojemność zbiornika na wodę: 6,5 litra

Przepływ powietrza: 195 m³/godz.

Masa czynnika chłodzącego R290: max. 65 gramów

Znamionowa moc wejściowa: 320 W

Maks. znamionowa moc wejściowa: 420 W

Zasilanie: 220-240V ~50Hz



Ostrożnie, ryzyko pożaru.

NIE przekłuwać ani nie spalać.

Należy pamiętać, że czynnik chłodniczy może nie wydzielać zapachu.

Maksymalna ilość czynnika chłodniczego: 65g.

(AR) عربي

شروط السلامة العامة

اقرأ تعليمات السلامة المهمة بعناية واحتفظ بها للرجوع إليها في المستقبل.

1. قبل استخدام الجهاز، اقرأ دليل التشغيل واتبع التعليمات الواردة فيه. الشركة المصنعة ليست مسؤولة عن الأضرار الناجمة عن استخدام الجهاز بشكل يتعارض مع الغرض المقصود منه أو التشغيل غير السليم.
2. الجهاز للاستخدام المنزلي فقط. لا تستخدم لأغراض أخرى ليست للغرض المقصود.
3. يجب توصيل الجهاز فقط بمنفذ تيار متردد مؤرض بجهد ٢٢٠-٢٤٠ فولت ~ ٥٠ هرتز. لزيادة السلامة التشغيلية، لا ينبغي توصيل أجهزة كهربائية متعددة بدائرة تيار واحدة في نفس الوقت.
4. توخي الحذر الشديد عند استخدام الجهاز عندما يكون الأطفال بالقرب منه. لا تسمح للأطفال باللعب بالجهاز، ولا تسمح للأطفال أو الأشخاص غير المعتادين على الجهاز باستخدامه.
5. تحذير: يمكن استخدام هذه المعدات من قبل الأطفال الذين تزيد أعمارهم عن ٨ سنوات والأشخاص ذوي القدرات البدنية أو الحسية أو العقلية المحدودة، أو الأشخاص الذين ليس لديهم خبرة أو معرفة بالمعدات، إذا تم ذلك تحت إشراف شخص مسؤول حرصاً على سلامتهم أو تم منحهم معلومات حول الاستخدام الآمن للجهاز وعلى علم بمخاطر استخدامه. يجب ألا يلعب الأطفال بالمعدات. لا ينبغي أن يقوم الأطفال بتنظيف الجهاز وصيانته إلا إذا تجاوزوا ٨ سنوات وتمت هذه الأنشطة تحت إشراف.
6. قم دائماً بفصل قابس الطاقة عن طريق الإمساك بالمقبس بيدك بعد الاستخدام. لا تسحب سلك الطاقة.
7. لا تغمر الكابل والقابس والجهاز بأكمله في الماء أو أي سائل آخر. لا تعرض الجهاز للظروف الجوية (المطر والشمس وما إلى ذلك) ولا تستخدمه في ظروف الرطوبة العالية (الحمامات والمنزل) (المتنقلة الرطبة).
8. تحقق بشكل دوري من حالة سلك الطاقة. في حالة تلف سلك الطاقة، يجب استبداله بواسطة ورشة إصلاح متخصصة لتجنب الخطر.
9. لا تستخدم الجهاز مع سلك طاقة تالف أو إذا تم سقوطه أو تلفه بأي طريقة أخرى أو إذا كان لا يعمل بشكل صحيح. لا تقم بإصلاح الجهاز بنفسك، حيث يوجد خطر التعرض لصدمة كهربائية. خذ الجهاز التالف إلى مركز الخدمة المناسب لفحصه أو إصلاحه. لا يجوز إجراء جميع الإصلاحات إلا من خلال نقاط الخدمة المعتمدة. يمكن أن تسبب الإصلاحات التي تم إجراؤها بشكل غير صحيح خطراً جسيماً على المستخدم.

١٠. وضع الجهاز على سطح بارد وثابت، بعيداً عن أدوات المطبخ الساخنة مثل: الموقد الكهربائي.
- وموقد الغاز، وغيرها
١١. تأكد من عدم وجود أي شيء يسد مدخل ومخرج الهواء بالجهاز.
- استخدم الجهاز فقط على سطح مستو لمنع تسرب التكتيف.
١٢. في الدائرة الكهربائية بتيار (RCD) لتوفير حماية إضافية، يُنصح بتركيب جهاز تيار متبقي.
١٣. متبقي مقنن لا يتجاوز ٣٠ مللي أمبير. اسأل كهربائياً عن هذا.
- قم بتنظيف فلتر الهواء بانتظام. يعتمد تكرار التنظيف على نظافة الهواء.
١٤. بعد إيقاف تشغيل الجهاز، انتظر لمدة ٥ دقائق على الأقل قبل إعادة تشغيله مرة أخرى.
١٥. لإزالة الرطوبة بشكل فعال، يجب استخدام فجوة لا تقل عن ٢٠ سم بين الجدران الجانبية.
١٦. للأجهزة والأثاث المضغوط أو الستائر.
- لتجنب خطر الحريق أو الانفجار، لا تقم برش المجفف.
١٧. لاستخدام أجزاء المبيت، لا تضع جهاز إزالة الرطوبة بالقرب من أجهزة التدفئة.
١٨. قم بإزالة المياه المتجمعة في الخزان. شرب الماء عن طريق الخطأ أو استخدامه مع أشخاص.
١٩. آخرين قد يسبب المرض.
- لا يدعم الأجهزة التي تم إزالة الغطاء الخلفي منها بسبب الأجزاء المتحركة والساخنة.
٢٠. لا تستخدم أي وسيلة للقيام بعملية الدوبان أو التشغيل غير تلك الموصى بها من قبل الشركة.
٢١. المصنعة.
- يجب أن يكون الجهاز متاحاً كجزء من القائمة الدائمة لمصادر الإشعال، أي بدون لهب مفتوح أو.
٢٢. بدون جهاز غاز عامل أو بدون سخان جهاز عامل.
- لا تتقّب أو تدخن.
٢٣. يرجى ملاحظة أن الشركات المصنعة لأجهزة التبريد قد لا تحتوي على راحة.
- ٢٤.

قبل الاستخدام الأول

١. يجب استخدام مزيل الرطوبة على سطح مستو ومستقر، والحفاظ على المسافات بين الوحدة والأشياء الأخرى وفقاً للصورة ١ لضمان الكفاءة المناسبة.
- أغلق جميع نوافذ وأبواب الغرفة التي تريد تجفيف الهواء فيها.
- لمنع تجمد الماء، لا تستخدم مزيل الرطوبة وخرطوم الصرف في درجة حرارة محيط أقل من ٠ درجة مئوية.
٢. لا تستخدم مزيل الرطوبة في الخارج. قد يؤدي التعرض لأشعة الشمس المباشرة أو المطر إلى ارتفاع درجة الحرارة والصدمة الكهربائية والحرائق.
٣. لا تضع خزان الماء على جهاز إزالة الرطوبة لتجنب تسرب الماء إلى الوحدة بالداخل وتدهور العزل.
٤. لا تحاول مطلقاً استخدام مزيل الرطوبة لاستخدامات خاصة، مثل تجفيف الطعام أو الحفاظ على الأشياء الفنية أو ما شابه.
٥. لا تستخدم جهاز إزالة الرطوبة حيث قد يحدث أي تسرب للزيت أو الغاز القابل للاشتعال. لا تستخدم الوحدة في الأماكن المعرضة للمواد الكيميائية.
٦. للتصريف المستمر، تأكد من ضبط خرطوم الصرف بشكل صحيح على المنحدر.
٧. احرص على عدم تعرض جهاز التسخين للرياح الصادرة عن جهاز إزالة الرطوبة.
٨. لا تستخدم جهاز إزالة الرطوبة ككرسي أو مسند للقدمين.
٩. لا تقم بإزالة ذراع الطوف من خزان المياه.
١٠. لا تسد مداخل ومخارج الهواء.
١١. لا تقم بتغطية الوحدة بالملايس المغسولة.
- ١٢.

قبل الاستخدام الأول

١. يجب استخدام مزيل الرطوبة على سطح مستو ومستقر، والحفاظ على المسافات بين الجهاز والأشياء.
١. لضمان الكفاءة المناسبة. أغلق جميع نوافذ وأبواب الغرفة التي تريد تجفيف الهواء فيها ١ الأخرى وفقاً للصورة
٢. درجة 0 لمنع تجمد الماء، لا تستخدم مزيل الرطوبة وخرطوم الصرف في درجة حرارة محيط أقل من 2.
- مئوية
٣. لا تستخدم مزيل الرطوبة في الخارج. قد يؤدي التعرض لأشعة الشمس المباشرة أو المطر إلى ارتفاع درجة
- الحرارة والصدمة الكهربائية والحرائق
٤. لا تضع خزان المياه على جهاز إزالة الرطوبة لتجنب تسرب الماء إلى داخل الجهاز وتدهور العزل.
٥. لا تحاول مطلقاً استخدام مزيل الرطوبة لاستخدامات خاصة، مثل تجفيف الطعام أو الحفاظ على الأشياء
- الفنية أو ما شابه

6. لا تستخدم مزيل الرطوبة حيث قد يحدث أي تسرب للزيت أو الغاز القابل للاشتعال. لا تستخدم الجهاز في الأماكن المعرضة للمواد الكيميائية.
7. لتتصرف المستمر، تأكد من ضبط خرطوم الصرف بشكل صحيح على المنحدر.
8. كن حذرًا من عدم تعرض جهاز التسخين للرياح الناتجة عن مزيل الرطوبة.
9. لا تستخدم مزيل الرطوبة ككرسي أو مسند للقدمين.
10. لا تقم بإزالة ذراع الطفو من خزان المياه.
11. لا تقم بسد مداخل ومخارج الهواء.
12. لا تقم بتغطية الجهاز بالملابس المغسولة.

مزيل رطوبة الهواء ومنقي الهواء ADY٨٦٣ Yin١: وصف المنتج

1. لوحة التحكم

2. مدخل الهواء

3. لتر 6.5 خزان المياه

4. منفذ الهواء

5. المقبض

6. العوامة

7. HEPA فلتتر الهواء

8. فلتتر هواء شبكي قابل للغسل

9. غلاف الفلتتر

10. ضوء مؤشر الرطوبة

11. فلتتر الكربون المنشط

12. شاشة رقمية أمامية

13. فتحة للأنبوب لتصريف المياه المستمر

(١) لوحة التحكم

أ. مفتاح الطاقة

ب. أزرار زائد ونقص

ج. زر المؤقت ٢٤-٠ ساعة

د. زر سرعة المروحة

E زر الوضع

F مؤشر وضع الملابس الجافة

G مؤشر وضع التشغيل العادي

ح. مؤشر وضع دوران الهواء

I مؤشر الوضع التلقائي

J مؤشر تذبذب الجهاز الذاتي

ك. مؤشر السرعة العالية للمروحة

L مؤشر سرعة المروحة المنخفضة

م. مؤشر المؤقت

ن. مؤشر درجة الحرارة

O مؤشر الرطوبة

P مؤشر الرطوبة المستهدف

س: مؤشر امتلاء خزان المياه

ر. مؤشر الطاقة

S رقمية للرطوبة والمؤقت ودرجة حرارة الغرفة LED شاشة

شروط الاستخدام

. أو أقل (50% حوالي) إن جهاز إزالة الرطوبة هذا غير مناسب للحفاظ على نسبة الرطوبة منخفضة للغاية هذا . تم تصميم جهاز إزالة الرطوبة هذا لإزالة الرطوبة غير المرغوبة في الحياة اليومية واستخدامه في التجفيف الإضافي للملابس المغسولة في الداخل . غير مناسب للحفاظ على الرطوبة منخفضة جدًا

من الطبيعي أن ينتج الجهاز حرارة أثناء التشغيل وترتفع درجة حرارة الغرفة بمقدار ١ درجة مئوية إلى ٤ درجات مئوية، لأن هذا الجهاز لا يحتوي على ترنفع درجة حرارة الغرفة بسبب إغلاق الأبواب والنوافذ علاوة على ذلك. ترتفع درجة الحرارة أثناء تشغيله في خزانة أو ما شابه. وظيفة التبريد لا يمكن استخدام مزيل الرطوبة هذا للحفاظ على درجة الحرارة المنخفضة للغاية. تتمثل. وتنتج الحرارة من الأجهزة الأخرى في الغرفة وأشعة الشمس ووظيفة مزيل الرطوبة هذا في التخلص من الرطوبة العالية غير السارة

وظيفة إزالة الجليد الذاتي للجهاز

سيتم إيقاف تشغيل الضاغط واستمرار المروحة في عندما يتراكم الصقيع على ملفات المبخر داخل الجهاز، سيتم تشغيل وظيفة إزالة الصقيع تلقائياً. ال سيتم إيقاف عن إذابة الجليد في درجة حرارة الغرفة بين ٥ درجات مئوية و ١٢ درجة مئوية العمل حتى يتم إزالة الصقيع. عندما يكون الجهاز قيد التشغيل وسوف يتوقف عن إذابة الجليد لمدة درجة مئوية درجة مئوية و ١٨ عند تشغيل الجهاز في درجة حرارة الغرفة بين ١٢. لمدة ٣ دقائق تقريباً كل ٨ دقائق سيتوقف درجة مئوية و ٢٣ درجة مئوية 18 دقيقة. عند تشغيل الجهاز في درجة حرارة الغرفة ما بين 25 دقائق كل 5 حوالي حتى مرور ٣ دقائق انتظر ٣ دقائق قبل استئناف العملية. بعد توقف الضاغط، لا يمكن إعادة تشغيله. عن إذابة الجليد لمدة ٥ دقائق تقريباً كل ١٢٠ دقيقة الموجود على لوحة التحكم (١) طوال الوقت الذي تكون فيه وظيفة إزالة الجليد الذاتية نشطة (J) يضيء المؤشر

إمهم

. تتوقف كل من وظيفة إزالة الرطوبة ووظيفة تنظيف الهواء أثناء عملية إزالة الجليد . لا تقم بفصل قابس الجهاز أو إيقاف تشغيل الجهاز أثناء عملية إزالة الجليد

القدرة على إزالة الرطوبة

1. تعتمد قدرة إزالة الرطوبة اليومية لجهاز إزالة الرطوبة على درجة حرارة الغرفة والرطوبة النسبية. في درجات حرارة مختلفة ورطوبة نسبية، قد يكون لها قدرة مختلفة على إزالة الرطوبة
2. في نفس درجة حرارة الغرفة، تكون قدرة إزالة الرطوبة أعلى في الرطوبة النسبية المرتفعة وتكون قدرة إزالة الرطوبة أقل في الرطوبة النسبية المنخفضة. في نفس الرطوبة النسبية، تكون قدرة إزالة الرطوبة أعلى في درجات الحرارة المرتفعة وتكون قدرة إزالة الرطوبة أقل في درجات الحرارة المنخفضة
3. إذا تم وضع جهاز إزالة الرطوبة في الخزانة، فقد تنخفض قدرته على إزالة الرطوبة بشكل كبير خلال فترة قصيرة بعد التشغيل بسبب انخفاض الرطوبة في الخزانة بشكل كبير
4. من الرطوبة النسبية، تبلغ 60% / 80 درجة مئوية من درجة حرارة الغرفة و 27 / درجة مئوية 30 بالنسبة إلى حرقاً من الماء عندما يكون مخرج الهواء مفتوحاً بالكامل 25/13 قدرة إزالة الرطوبة على التوالي حوالي

نظام تنقية الهواء - ترشيح ٣ مراحل

تم تصميم النظام لإزالة جزيئات الملوثات والرائحة في الهواء. يحتوي الجهاز على الفلاتر التالية

1. يستخدم لتصفية الغبار والشعر في الهواء: (8) مرشح هواء شبكي قابل للغسل
2. فلتلر الكربون المنشط: يزيل الروائح الكريهة الناتجة عن السجائر والحيوانات الأليفة وما إلى ذلك
3. بفعالية بنسبة ٩٩,٩٥% من جزيئات H١٣ HEPA يقوم بتصفية الغبار وجزيئات الملوثات وينعش الهواء. يحتفظ فلتلر HEPA H13: فلتلر مناسب لتنقية الهواء لمراضى الحساسية H١٣ HEPA الملوثات التي يصل حجمها إلى ٠,٣ ميكرون في الهواء المتدفق. فلتلر

عملية

1. يرجى وضع الجهاز في وضع مستقيم لتجنب التشغيل الخاطئ والصوت غير العادي. حافظ على المسافات
1. بين الأشياء الأخرى كما هو موضح في الصورة
2. في أكياس من البولبيستر، يرجى إزالة الكيس من البولبيستر قبل الاستخدام (٧) HEPA يتم تعبئة مرشح
3. افتح الغطاء الأسود الموجود أعلى الجهاز للسماح للهواء بالخروج بسهولة
4. اضغط عليه لتشغيل الجهاز. ستعرض (1) على لوحة التحكم (A) قم بتوصيل الجهاز، يومض مفتاح الطاقة
- (10) مستوى الرطوبة الحالي في الغرفة. وفي نفس الوقت، سيتم إضاءة ضوء مؤشر الرطوبة (S) الشاشة الرقمية على الحافة الأمامية العلوية للجهاز

أثناء التشغيل، يظهر ضوء مؤشر الرطوبة مستوى الرطوبة الحالي في الغرفة

اللون الأزرق يعني انخفاض الرطوبة أقل من ٥٠% رطوبة نسبية -

اللون الأخضر يعني رطوبة متوسطة تتراوح بين ٥١% - ٦٩% رطوبة نسبية -

اللون الأحمر يعني رطوبة عالية تزيد عن ٧٠% رطوبة نسبية -

يرجى ملاحظة أن قيمة الرطوبة النسبية قد حصلت على تسامح بنسبة ٣% عندما يضيء ضوء الإشارة المقابل

5. في الدورة لاختيار وضع التشغيل المطلوب بين (E) اضغط على زر الوضع
- الحصول على أداء سريع للوظيفة، يعمل الضاغط بشكل (F) مرة واحدة، سيضيء المؤشر (E) اضغط على زر الوضع - وضع الملابس الجافة - مستمر دون توقف، إلا في حالة امتلاء خزان الماء (٣). تحافظ المروحة على سرعتها العالية طوال الوقت
- في ظل التشغيل العادي، يعمل الضاغط يمكن (G) مرة أخرى، وسوف يضيء المؤشر (E) وضع التشغيل العادي - اضغط على زر الوضع - للمستخدم ضبط مستوى الرطوبة المستهدف بالضغط على زر الزائد والنقص (٣). نطاق الرطوبة المحدد هو: ٣٠%-٨٠% مع خطوة ٥%. عندما تصل الرطوبة المستهدفة، يتوقف الضاغط عن العمل. يمكن ضبط المروحة على كلا من السرعة العالية والمنخفضة حسب حاجتك. لاختيار سرعة

السرعة المنخفضة (L) للسرعة العالية و (K) وسيضيء المؤشر المقابل (D) المروحة بين المنخفضة والعالية، اضغط على الزر في هذا الوضع لا يعمل الضاغط، هناك تشغيل للمروحة (H) مرة أخرى، وسوف يضيء المؤشر (E) وضع تدوير الهواء - اضغط على زر الوضع - فقط. يمكنك ضبط سرعة المروحة بين: السرعة المنخفضة والعالية حسب احتياجاتك
في ظل هذا الوضع، تكون الرطوبة المستهدفة الافتراضية (I) مرة أخرى، وسوف يضيء المؤشر (E) اضغط على زر الوضع -- الوضع التلقائي - هي ٥٥%. عندما تصل رطوبة الغرفة إلى ٥٥%، يتوقف الضاغط عن العمل، وتستمر المروحة في العمل فقط. عندما تكون نسبة الرطوبة في الغرفة أعلى من ٥٥%، يبدأ الضاغط في العمل مرة أخرى

إعداد آخر تذكر ويمكنه الذاكرة بوظيفة الجهاز يتمتع، الكهربائي التيار انقطاع حالة في

وظيفة الصرف المستمر

إذا كنت بحاجة إلى تجفيف الهواء لفترة طويلة، يمكنك استخدام وظيفة التصريف المستمر 1.

قبل التشغيل المستمر لفترة طويلة، يلزم إجراء فحص دوري خاصة لمرشح الهواء التنظيف أو أنبوب 2.
الصرف أو ما شابه

(١٣) من موضعه الأصلي، وأدخل الأنبوب المرفق في الفتحة لتصريف المياه بشكل مستمر (3) قم بإزالة خزان المياه 3.
يظهر في الصورة ٥

4. -80%-75-65-70-60-55-50-45-40-35-30: عند ضبط الرطوبة المستهدفة في وضع إزالة الرطوبة العادي، يمكنك ضبط
يعني وضع إزالة الرطوبة المستمر. في هذا الوضع، يمكن اختيار سرعة المروحة بين السرعة المنخفضة أو السرعة العالية "CO". وهكذا CO-30%
بعد الانتهاء من عملية إزالة الترطيب المستمرة، قم بفك الأنبوب، ثم ضع خزان المياه (3) في مكانه الأصلي وأوقف تشغيل الجهاز 5.
خرطوم الصرف: الطول: ٣٠ سم، القطر الداخلي: ١٧ ملم، القطر الخارجي: ١٩ ملم

تشغيل المؤقت - وظيفة إيقاف التأخير

(C) استخدم زر المؤقت، Timer OFF - DELAY STOP لضبط وظيفة

(S) الرقمية LED تضيء شاشة (M) وسيضيء مؤشر المؤقت (C) يمكن ضبط وظيفة إيقاف المؤقت عندما يعمل الجهاز. اضغط على زر المؤقت لتحديد الوقت المطلوب لإيقاف تشغيل الجهاز. بعد ضبط المؤقت، سيتم عرض (B) ويظهر "00"، يجب عليك الضغط على زر الزائد أو الناقص سيتم إيقاف تشغيل الجهاز تلقائياً بعد مرور (C) الوقت لمدة ٥ ثوانٍ وتذكرك. بمجرد ضبط المؤقت، للتحقق من الوقت المتبقي، اضغط على زر المؤقت أثناء وميض قيمة الوقت، وستتغير قيمة الوقت إلى الصفر (C) وقت الإعداد. لإعادة ضبط وظيفة المؤقت، يجب الضغط باستمرار على زر المؤقت نطاق المؤقت من ١ إلى ٢٤ ساعة مع فاصل زمني مدته ساعة واحدة

فحص درجة حرارة الغرفة

وفي نفس (S) الرقمية LED لبطع ثوان، عندما يتم عرض القيمة على شاشة Plus من أجل التحقق من درجة حرارة الغرفة الحالية، اضغط على زر (N) الوقت سيتم عرض مؤشر درجة الحرارة

فحص رطوبة الغرفة

أو انظر إلى القيمة الموضحة على الشاشة (S) LED من أجل التحقق من رطوبة الغرفة الحالية، انظر إلى القيمة الموضحة على شاشة العرض الرقمية على وحدة التحكم لوحة (١). عندما تصل رطوبة الغرفة الحالية إلى الرطوبة (O) الرقمية الأمامية (١٢)، وفي نفس الوقت سيتم إضاءة مؤشر الرطوبة (P) النسبية المحددة، سيضيء مؤشر الرطوبة المستهدفة

إعلامك بأن الجهاز في حالة (R) مرة أخرى لإيقاف تشغيل الجهاز، ويتوقف الجهاز عن العمل، وسيومض مؤشر الطاقة (A) اضغط على مفتاح الطاقة (R) الاستعداد. عندما يتم تشغيل الجهاز. يضيء مؤشر الطاقة

تفريغ خزان المياه

في الوضع الصحيح، تضيء إشارة خزان (3) مهتلاً أو لم يتم تركيب خزان المياه (3) إذا كان خزان المياه 1.

ويصدر صوت الجرس. سيتوقف الجهاز عن العمل تلقائياً (1) في لوحة التحكم (Q) المياه الممتلئ

يتوقف الجهاز عن العمل حتى يصبح خزان المياه فارغاً (Q) عندما يومض ضوء مؤشر امتلاء خزان المياه 2.
أو يتم ضبطه على الوضع الصحيح

يرجى سحب خزان المياه بلطف نحوك عن طريق الإمساك بالأجزاء المقعرة من (3) لإزالة خزان المياه 3.

3. خزان المياه. انظر إلى الصورة

وقم بتصريف الماء 4 استخدم مقبضاً لحمله، ثم قم بإمالة كما هو موضح في الصورة (3) لتفريغ خزان المياه 4.
بمرفق إلى موضعه السابق داخل (3) ببطة. بعد ذلك، يجب عليك وضع المقبض بشكل مسطح قبل دفع الخزان المبيت

اضبط موضع مقبض (3) إلى تنظيفه من الداخل. لفتح خزان المياه (6) من وقت لآخر يحتاج خزان المياه 5.

خزان المياه على شكل فتحات في جزأين بلاستيكيين تم تجميع المقبض عليهما وقم بتوسيع حافتي المقبض

بلطف لتفكيك المقبض تماماً. يمكنك الآن فتح غطاء خزان المياه وتنظيف خزان المياه بالماء باستخدام صابون

انظر الى الصورة (3) من خزان المياه (6) الأطباق وقطعة قماش ناعمة. لا تقم بفك أو رفع العوامة

صفارة

يصدر صوت لمدة ٢٠ ثانية عند إخراج خزان المياه (٣) أثناء التشغيل

التنظيف والصيانة

١. قم بإيقاف تشغيل الجهاز وفصل قابس الطاقة قبل البدء في أي عملية تنظيف أو صيانة روتينية أخرى.
٢. لتجنب خطر التعرض لصدمة كهربائية، لا تقم مطلقاً برش الماء أو سكب على جهاز إزالة الرطوبة أثناء التنظيف.
٣. قم بإيقاف تشغيل الجهاز وتفريغ الماء من خزان المياه قبل تحريك الجهاز. تأكد من الإمساك بالمقبض أثناء الحركة.
٤. امسح هيكل الجهاز بقطعة قماش مبللة وناعمة.
٥. (3) من خزان المياه (6) لا تقم بفك العوامة.
٦. (8) قبل التشغيل المستمر المخطط له لفترة طويلة، يلزم إجراء فحص دوري خاصة لمرشح الهواء الشبكي أو ما شابه (13) وأنبوب الصرف (11) وفلتر الكربون المنشط.
٧. لتنظيف المرشحات أو استبدالها:
 - (٣) افصل القابس وأخرج خزان المياه -
 - قم بإزالة غلاف الفلتر (٩) كما هو موضح في الشكل ٥ -
 - (١١) قم بإزالة مرشح الهواء الشبكي (٨) من الهيكل وقم بإزالة مرشح الكربون المنشط برفق -
 - من الجهاز (٧) HEPA اسحب فلتر -
 - كل أسبوعين، قم بتنظيف المرشحات الثلاثة باستخدام مكنسة كهربائية أو قم بالترتيب عليها برفق للتخلص منها. قد ينخفض أداء إزالة الرطوبة إذا كانت المرشحات مسدودة بالأوساخ
 - أعد المرشحات مرة أخرى وقم بتجميع غلاف المرشح (٩) مرة أخرى -
 - إذا كانت المرشحات متسخة بشكل خطير، اغسلها بالماء بما في ذلك منظف محايد، ثم اشطفها جيدًا بالماء واتركها حتى تجف.
٨. لا تقم بتنظيف الجهاز بالبنزين أو المخفف أو المنظفات السائلة.
٩. قبل التخزين لفترة أطول: قم بتجميع سلك الطاقة وخزان المياه الفارغ وامسح بقطعة قماش ناعمة، ثم قم بـ ٩ بتنظيف جميع المرشحات وتحفيها. قم بوضع الجهاز في وضع مستقيم لتجنب حدوث خلل أو صدور صوت غير طبيعي في المستقبل، وتجنب التعرض لأشعة الشمس المباشرة.

مشكلة التصوير: تحقق من القائمة أدناه قبل الاتصال بالبايع

المشكلة: لا توجد عملية 1.

نقطة الفحص ١: معرفة ما إذا كان قابس الطاقة مفصولاً

الحل ١: أدخل القابس في مأخذ التيار الكهربائي بشكل كامل وأمن

نقطة الفحص ٢: معرفة ما إذا كان خزان المياه ممتلئاً بالمياه

الحل ٢: إفراغ الماء من الخزان

نقطة الفحص ٣: تأكد من عدم ضبط خزان المياه بشكل صحيح في موضعه

الحل ٣: اضبط الخزان على الجهاز في موضعه الصحيح

نقطة الفحص ٤: تأكد من إغلاق الغطاء العلوي المصنوع من البلاستيك الأسود لمخرج الهواء

الحل ٤: فتح الغطاء العلوي

المشكلة: قدرة مزيل الرطوبة صغيرة 2.

نقطة الفحص ١: معرفة ما إذا كانت المرشحات متسخة

التنظيف والصيانة في النقطة ٧ فصل الحل ١: قم بتنظيف المرشحات كما هو محدد في

نقطة الفحص ٢: معرفة ما إذا كانت فتحات الهواء مسدودة

الحل ٢: إزالة العوائق من فتحات الهواء

نقطة الفحص ٣: معرفة ما إذا كان مزيل الرطوبة في وضع دوران الهواء

الحل ٣: قم بتغيير وضع التشغيل إلى وضع إزالة الرطوبة

المشكلة: الصوت العالي أثناء التشغيل 3.

نقطة التحقق ١: تحقق مما إذا كان الجهاز مثبتاً بشكل صحيح

الحل ١: قم بتثبيت الجهاز على أرضية مستوية وثابتة

المشكلة: الملابس المغسولة لا تجف 4.

نقطة الفحص ١: معرفة ما إذا كانت الملابس المغسولة لا تتعرض للهواء الصادر من الجهاز

الحل ١: حاول تعريض الملابس المغسولة لتيار الهواء

نقطة الفحص ٢: معرفة ما إذا كانت درجة حرارة الغرفة منخفضة جداً

الحل ٢: يصعب تجفيف الملابس المغسولة في ظل ظروف درجات الحرارة المنخفضة

يعمل الجهاز بشكل سليم عند حدوث الظاهرة التالية

وصف الظاهرة: تتوقف العملية من حين لآخر 1.

سبب الظاهرة: الجهاز يقوم بإذابة الجليد

وصف الظاهرة: الحجم المجفف صغير 2.

سبب الظاهرة: حجم مزيل الرطوبة أقل عندما تكون درجة حرارة الغرفة منخفضة

وصف الظاهرة: الرطوبة في الغرفة لا تزال مرتفعة 3.

أو مغلقة / أو نوافذ الغرفة مفتوحة و أبواب تكون قد . سبب الظاهرة: قد يكون حجم الغرفة كبير جدًا . يتم استخدام مزيل الرطوبة بالقرب من سخان الكيروسين الذي ينبعث منه البخار . مرارًا

وصف الظاهرة: رائحة كريهة أثناء التشغيل 4.

. الأثاث أو الأشياء الأخرى سبب الظاهرة: انبعاث رائحة كريهة من الجدران أو

وصف الظاهرة: يتم إنتاج الصوت داخل الجهاز 5.

. سبب الظاهرة: قد يؤدي دوران مادة التبريد إلى حدوث صوت حتى يستقر

وصف الظاهرة: ترك الماء في خزان المياه 6.

سبب الظاهرة: ترك الماء بسبب خضوع الجهاز لاختبار إزالة الرطوبة في المصنع

وصف الظاهرة: صوت الجرس 7.

. سبب الظاهرة: يصدر صوت الجرس عند امتلاء خزان المياه بالماء

تنبيه: يمكن تعبئة عامل التبريد من خلال المصنع فقط

التاريخ الفني:

قدرة إزالة الرطوبة عند ٣٠ درجة مئوية / ٨٠% رطوبة نسبية): ٢٥ لترًا / ٢٤ ساعة

قدرة إزالة الرطوبة عند ٢٧ درجة مئوية / ٦٠% رطوبة نسبية): ١٣ لتر / ٢٤ ساعة

مستوى الضوضاء: > ٤٨ ديسيبل (أ)

سعة خزان المياه: ٦,٥ لتر

تدفق الهواء: ١٩٥ م^٣/ساعة

الحد الأقصى: ٦٥ جرام: R٢٩٠ وزن سائل التبريد

طاقة الإدخال المقننة: ٣٢٠ واط

الأعلى. طاقة الإدخال المقننة: ٤٢٠ واط

مصدر الطاقة: ٢٢٠-٢٤٠ فولت ~ ٥٠ هرتز

**

الحذر، خطر الحريق

لا تخرق أو تحرق

انتبه إلى أن سائل التبريد قد لا يحتوي على رائحة

الحد الأقصى لشحن غاز التبريد: ٦٥ جم



الحذر من خطر نشوب حريق

لا تخرق أو تحرق

اعلم أن المبرد قد لا يحتوي على رائحة

الحد الأقصى لمقدار شحن غاز التبريد: ٣٥ جم

الحد الأقصى لكمية المبرد: ٦٥ جم

يرجى نقل عبوات الورق المقوى إلى نفايات الورق. اسكب أكياس البولي إيثيلين في الحاوية البلاستيكية

يجب إعادة الجهاز البالي إلى نقطة تخزين مناسبة لأنه خطير في الجهاز

قد تشكل المكونات تهديدًا للبيئة. يجب تسليم الجهاز الكهربائي للحد

فعلك إخراجها وإعطائها إلى النقطة المخزنة بشكل منفصل، إعادة استخدامها واستخدامها. إذا كان هناك بطاريات في الجهاز



(BG) БЪЛГАРСКИ

УСЛОВИЯ ЗА БЕЗОПАСНОСТ. ВАЖНИ ИНСТРУКЦИИ ЗА БЕЗОПАСНОСТ НА ИЗПОЛЗВАНЕ. МОЛЯ, ПРОЧЕТЕТЕ ВНИМАТЕЛНО И ПАЗЕТЕ ЗА БЪДЕЩИ РЕФЕРЕНЦИИ

1. Преди да използвате продукта, моля, прочетете внимателно и винаги спазвайте следните инструкции. Производителят не носи отговорност за щети, причинени

- от злоупотреба.
2. Продуктът трябва да се използва само на закрито. Не използвайте продукта за цели, които не са съвместими с приложението му.
 3. Устройството трябва да бъде свързано само към променливотоков контакт със заземено напрежение 220 240V ~ 50Hz. За да се повиши безопасността при работа, няколко електрически устройства не трябва да бъдат свързани към един контакт едновременно.
 4. Внимавайте изключително много, когато използвате устройството, когато децата са наблизо. Не позволявайте на децата да играят с устройството, не позволявайте на деца или хора, които не са запознати с устройството, да го използват.
 5. **ПРЕДУПРЕЖДЕНИЕ:** Това оборудване може да се използва от деца над 8-годишна възраст и хора с ограничени физически, сензорни или умствени способности или хора, които нямат опит или познания за устройството, ако това се прави под наблюдението на отговорно лице за тяхната безопасност или им е била предоставена информация за безопасното използване на устройството и са наясно с опасностите от използването му. Децата не трябва да играят с оборудването. Почистването и поддръжката на устройството не трябва да се извършва от деца, освен ако са на възраст над 8 години и тези дейности се извършват под наблюдение.
 6. Винаги изключвайте щепсела след употреба, като държите контакта с ръка. **НЕ** дърпайте захранващия кабел.
 7. Не потапяйте кабела, щепсела и цялото устройство във вода или друга течност. Не излагайте устройството на атмосферни условия (дъжд, слънце и др.) Не използвайте в условия на висока влажност (бани, влажни мобилни домове).
 8. Периодично проверявайте състоянието на захранващия кабел. Ако захранващият кабел е повреден, той трябва да бъде заменен от специализиран сервиз, за да се избегне опасност.
 9. Не използвайте уреда с повреден захранващ кабел или ако той е изпуснат или повреден по някакъв друг начин, или ако не работи правилно. Не ремонтирайте устройството сами, тъй като съществува риск от токов удар. Занесете повреденото устройство в подходящ сервизен център за проверка или ремонт. Всички ремонти могат да се извършват само от оторизирани сервизни центрове. Неправилно извършените ремонти могат да създадат сериозна опасност за потребителя.
 10. Поставете устройството на хладна, стабилна повърхност, далеч от горещи кухненски уреди като: електрическа печка, газови котлони и др.
 11. Уверете се, че нищо не блокира входа и изхода за въздух на устройството
 12. Използвайте устройството само на равна повърхност, за да предотвратите изтичането на конденз.

13. За да се осигури допълнителна защита, препоръчително е да се инсталира устройство за остатъчен ток (RCD) в електрическата верига с номинален остатъчен ток, който не надвишава 30 mA. Попитайте електротехник за това.
14. Почиствайте редовно въздушния филтър. Честотата на почистване зависи от чистотата на въздуха.
15. След като изключите машината, изчакайте поне 5 минути, преди да я включите отново.
16. За ефективно изсушаване трябва да се използва празнина от поне 20 cm между страничните стени на устройството и мебели или завеси.
17. За да избегнете риск от пожар или експлозия, не пръскайте обезвлажнителя.
18. Преди да използвате уреда, не поставяйте обезвлажнителя близо до устройства, които излъчват топлина.
19. Отстранете събраната вода в резервоара. Случайното пиене на вода или консумирането с други хората могат да причинят заболяване.
20. Не използвайте устройството със свален заден капак поради движещи се и горещи части.
21. Не използвайте други за други експлоатационни процеси, различни от тези препоръчани от производителя.
22. Устройството трябва да се съхранява в помещение без непрекъснато работещи източници на топлина и огън, такива като: открит огън, работещ газов уред или електрически нагревател.
23. Не пробивайте и не пушете около устройството.
24. Моля, обърнете внимание, че производителите на хладилни агенти може да не предлагат продукти с аромат.

Преди първа употреба:

1. Обезвлажнителят за въздух трябва да се използва на равна и стабилна повърхност, да се спазват разстояния между устройството и други предмети съгласно снимка 1, за да се осигури подходяща ефективност. Затворете всички прозорци и врати на помещението, в което искате да обезвлажните въздуха.
2. За да предотвратите замръзване на водата, не използвайте обезвлажнителя и маркуча за източване при температура на околната среда под 0 °C
3. Не използвайте обезвлажнителя навън. Излагането на пряка слънчева светлина или дъжд може да доведе до прегряване, токов удар и пожар.
4. Не поставяйте резервоара за вода върху обезвлажнителя, за да избегнете разливане на вода във вътрешността на уреда и влошаване на изолацията.
5. Никога не се опитвайте да използвате обезвлажнителя за специални цели, като обезводняване на храни или подпомагане съхранението на произведения на изкуството или други подобни.
6. Не използвайте обезвлажнителя там, където може да се получи изтичане на масло или запалим газ. Не използвайте устройството на места, подложени на химикали.
7. За непрекъснато източване се уверете, че маркучът за източване е настроен правилно и с наклон.

8. Внимавайте за отоплителни уреди изложени в полето на работа на обезвлажнителя.
9. Не използвайте обезвлажнителя като стол или подложка за крака.
10. Не сваляйте поплавъчния лост от резервоара за вода.
11. Не блокирайте изходите за въздух и изпускателните отвори.
12. Не покривайте устройството с изпрани дрехи.

Описание на продукта: AD7863 2в1 изсушител и пречиствател на въздух

- | | |
|---|--|
| 1. Контролен панел | 2. Вход за въздух |
| 3. Резервоар за вода 6,5L | 4. Изход за въздух |
| 5. Дръжка | 6. Поплавък |
| 7. HEPA въздушен филтър | 8. Миещ се мрежест префилтър за въздух |
| 9. Корпус на филтъра | 10. Светлинен индикатор за влажност |
| 11. Филтър с активен въглен | 12. Преден цифров дисплей |
| 13. Отвор за тръба към непрекъснат дренаж на вода | |

Контролен панел (1):

- | | |
|---|--|
| A. Ключ за захранване | B. Бутони плюс и минус |
| C. Бутон за таймер 0-24 часа | D. Бутон за скорост на вентилатора |
| E. Бутон за режим | F. Индикатор за режим за сухи дрехи |
| G. Индикатор за режим на нормална работа | H. Индикатор за режим на циркулация на въздуха |
| I. Индикатор за автоматичен режим | J. Индикация за саморазмразяване на устройството |
| K. Индикатор за висока скорост на вентилатора | L. Индикатор за ниска скорост на вентилатора |
| M. Индикатор за таймер | N. Индикатор за температура |
| O. Индикатор за влажност | P. Индикатор за целева влажност |
| Q. Индикатор за пълен воден резервоар | R. Индикатор за мощност |
| S. LED цифров дисплей за влажност и таймер и стайна температура | |

УСЛОВИЯ ЗА ПОЛЗВАНЕ

Този влагоуловител не е подходящ за поддържане на много ниска влажност около 50 % или по-малко .

Този влагоуловител е предназначен да премахва неудобната влажност в ежедневието и да се използва за спомагателно сушене на изпрани дрехи на закрито . Това не е подходящо за поддържане на много ниска влажност .

Нормално е устройството да произвежда топлина по време на работа и стаината температура да се повишава с 1C до 4C, тъй като това устройство няма функция за охлаждане . Температурата става по-висока, докато работи в килер или подобен . Освен това стаината температура се повишава , тъй като вратите и прозорците са затворени и топлината се произвежда от други уреди в стаята и слънчевата радиация . Този влагоуловител не може да се използва за поддържане на изключително ниска температура. Функцията на този влагоуловител е да изпомпва неприятната, висока влажност.

ФУНКЦИЯ ЗА САМОРАЗМРАЗЯВАНЕ НА УСТРОЙСТВОТО

Когато скрежът се натрупа върху намотките на изпарителя вътре в устройството, ще се стартира функцията за автоматично размразяване. Тен компресорът ще се изключи и вентилаторът ще продължи да работи, докато скрежът се премахне. Когато устройството работи при стайна температура между 5 градуса по Целзий и 12 градуса по Целзий , той ще спре да се размразява за около 3 минути на всеки 8 минути. Когато устройството работи при стайна температура между 12 градуса по Целзий и 18 градуса по Целзий , ще спре да се размразява за около 5 минути на всеки 25 минути. Когато устройството работи при стайна температура между 18 градуса по Целзий и 23 градуса по Целзий ще спира да се размразява за около 5 минути на всеки 120 минути. Изчакайте 3 минути, преди да възобновите работата. След като компресорът спре, той не може да започне отново работа докато изминат 3 минути. Индикаторът (J) на контролния панел (1) свети през цялото време, докато е активно саморазмразяването.

ВАЖНО!

Както функцията за обезвлажняване, така и функцията за почистване на въздуха спират по време на операцията по размразяване .

Не изваждайте щепсела на уреда и не го изключвайте по време на размразяването .

Капацитет на обезвлажняване

1. Дневният капацитет на изсушаване на влагоуловителя зависи от стаината температура и относителната влажност. При

различни температури и относителна влажност той може да има различен капацитет за обезвлажняване.

2. При същата стайна температура капацитетът на изсушаване е по-висок при по-висока относителна влажност и капацитетът на изсушаване е по-нисък при по-ниска относителна влажност. При същата относителна влажност капацитетът на изсушаване е по-висок при по-висока температура и капацитетът на изсушаване е по-нисък при по-ниска температура.
3. Ако влагоуловителя е поставен в шкафа, неговият капацитет за изсушаване може силно да намалее за кратък период след работа поради силно намалената влажност в шкафа.
4. За 30°C / 27°C стайна температура и 80% / 60% относителна влажност капацитетът на изсушаване е съответно около 25 /13 литра вода, когато изходът за въздух е напълно отворен.

Система за пречистване на въздуха - 3-степенна филтрация

Системата е проектирана да отстранява замърсители и миризми във въздуха. Устройството включва следните филтри:

1. Миещ се мрежест предфилтър за въздух (8): използвайте за филтриране на прах и косми във въздуха.
2. Филтър с активен въглен: премахва миризмата, причинена например от цигара, домашен любимец и др.
3. HEPA филтър H13: Филтрира прах, замърсители и освежава въздуха. Филтърът HEPA H13 ефективно задържа 99,95% от замърсителите с размер до 0,3 микрона в протичащия въздух. Филтърът HEPA H13 е подходящ за пречистване на въздуха при страдащи от алергии.

Операция

1. Моля, поставете устройството изправено, за да избегнете пропускане на работа и необичаен звук. Спазвайте дистанция между другите обекти, както е показано на снимка 1.
2. HEPA филтърът (7) е опакован в полиетиленови торбички, моля, отстранете полиетиленовата торбичка преди употреба.
3. Отворете черния капак в горната част на устройството, за да позволите на въздуха да излезе лесно.
4. Включете устройството, превключвателят за захранване (А) мига на контролния панел (1), натиснете го, за да включите устройството. Цифровият дисплей (S) ще покаже текущото ниво на влажност в помещението. В същото време светлинният индикатор за влажност (10) ще светне в горния преден ръб на устройството.

По време на работа светлинният индикатор за влажност показва текущото ниво на влажност в помещението:

- Синият цвят означава ниска влажност под 50% относителна влажност
- Зеленият цвят означава средна влажност в диапазона 51% - 69% относителна влажност
- Червеният цвят означава висока влажност над 70% относителна влажност

Моля, обърнете внимание, че стойността на относителната влажност има 3% толеранс, когато свети съответната светлинна индикация.

5. Натиснете бутона за режим (E) в цикъл, за да изберете желания режим на работа между:

- Режим Сухи дрехи – натиснете веднъж бутона за режим (E), индикаторът (F) ще светне. За бързо изпълнение на функциите компресорът работи непрекъснато без спиране, освен в случай, че резервоарът за вода (3) е пълен. Вентилаторът поддържа висока скорост през цялото време.
- Нормален режим на работа – натиснете отново бутона за режим (E), индикаторът (G) ще светне. При нормална работа компресорът работи. Потребителят може да зададе целево ниво на влажност чрез натискане на бутоните плюс и минус (3). Диапазонът на зададената влажност е: 30%-80% със стъпка от 5%. Когато целевата влажност достигне, компресорът спира да работи. Вентилаторът може да бъде настроен и на двете: висока и ниска скорост според вашите нужди. За да изберете скорост на вентилатора между ниска и висока, натиснете бутона (D), съответният индикатор (K) за висока скорост и (L) за ниска скорост ще светне.
- Режим циркулация на въздуха – натиснете отново бутона за режим (E), индикаторът (H) ще светне. В този режим компресорът не работи, има само вентилатор. Можете да регулирате скоростта на вентилатора между: ниска и висока скорост според вашите нужди.
- Автоматичен режим — натиснете отново бутона за режим (E), индикаторът (I) ще светне. При този режим целевата влажност по подразбиране е 55%. Когато влажността в помещението достигне 55%, компресорът спира да работи, само вентилаторът продължава да работи. Когато влажността в помещението е по-висока от 55%, компресорът започва да работи отново.

В случай на прекъсване на тока устройството има функция за памет и може да запомни последната настройка.

Функция за непрекъснат дренаж

1. Ако трябва да изсушите въздуха за дълго време, можете да използвате функцията за непрекъснат дренаж.
2. Преди непрекъснатата работа за дълъг период от време е необходима периодична проверка, особено за филтъра за пречистване на въздуха, дренажната тръба или други подобни.
3. Извадете резервоара за вода (3) от първоначалното му положение, поставете прикрепената тръба в отвора за непрекъснато източване на вода (13).
показано на снимка 5.
4. Когато зададете целева влажност при нормален режим на изсушаване, можете да зададете: 30-35-40-45-50-55-60-65-70-75-80%-CO-30% и така нататък. „CO“ означава непрекъснат режим на изсушаване. В този режим скоростта на вентилатора може да се избира между ниска или висока скорост.

5. След като приключите непрекъснатото обезвлажняване , разгледете тръбата, поставете резервоара за вода (3) на първоначалното му място и изключете устройството.

Дренажен маркуч: дължина: 30 см, вътрешен диаметър: 17 мм, външен диаметър: 19 мм.

Работа с таймер - функция Delay Stop

За да настроите функцията за ИЗКЛЮЧВАНЕ на таймера - ОТЛАГАНЕ СПИРАНЕ, използвайте бутона на таймера (C). Функцията за изключване на таймера може да се настрои, когато устройството работи. Натиснете бутона за таймер (C), индикацията на таймера (M) ще светне. LED цифровият дисплей (S) светва и се появява "00", трябва да натиснете бутоните плюс или минус (B), за да изберете желаното време за изключване на устройството. След като таймерът е настроен, времето ще се покаже за 5 секунди и ще бъде запомнено. След като таймерът е зададен, за да проверите с оставащото време, натиснете бутона на таймера (C). Устройството ще се изключи автоматично след изтичане на зададеното време. За да нулирате функцията на таймера, трябва да натискате непрекъснато бутона на таймера (C), докато стойността на времето мига, стойността на времето ще бъде променена на нула. Обхватът на таймера е от 1 до 24 часа с интервал от 1 час.

Проверка на стайната температура

За да проверите текущата стайна температура, натиснете бутона Плюс за няколко секунди, когато стойността ще се покаже на LED цифров дисплей (S), в същото време ще се покаже температурният индикатор (N).

Проверка на влажността на помещението

За да проверите с текущата влажност на помещението, погледнете стойността, показана на LED цифровия дисплей (S) или погледнете стойността, показана на предния цифров дисплей (12), в същото време индикаторът за влажност (O) ще светне на управлението панел (1). Когато текущата влажност на помещението достигне зададената относителна влажност, индикаторът за целева влажност (P) ще светне.

Натиснете бутона за захранване (A) отново, за да изключите устройството, устройството спира да работи, само индикаторът за захранване (R) ще мига, за да информира устройството, че е в режим на готовност. Когато устройството е включено. Индикаторът за захранване (R) свети.

Изпразване на резервоара за вода

1. Ако резервоарът за вода (3) е пълен или резервоарът за вода (3) не е монтиран в правилната позиция, индикацията за пълен резервоар за вода (Q) светва на контролния панел (1), прозвучава зумер. Устройството ще спре да работи автоматично.
2. Когато светлинният индикатор за пълен воден резервоар (Q) мига, устройството спира да работи, докато резервоарът за вода не се изпразни или се постави в правилната позиция.
3. За да извадите резервоара за вода (3), моля, издърпайте резервоара за вода леко към себе си, като държите вдлъбнатите части на резервоара за вода. Погледнете снимка 3.
4. За да изпразните резервоара за вода (3), използвайте дръжка, за да го носите, след това го наклонете, както е показано на фигура 4, и бавно източете водата. След това трябва да поставите дръжката хоризонтално, преди внимателно да натиснете резервоара (3) обратно в предишното му положение вътре в корпуса.
5. От време на време резервоарът за вода (6) трябва да се почиства отвътре. За да отворите резервоара за вода (3), регулирайте позицията на дръжката на резервоара за вода във формата на отвори в две пластмасови части, към които е монтирана дръжката, и разгънете внимателно двата ръба на дръжката, за да разглюбите напълно дръжката. Сега можете да отворите капака на резервоара за вода и да почистите резервоара за вода с вода със сапун за съдове и мека кърпа. Не разглюбявайте и не повдигайте поплавка (6) от резервоара за вода (3). Вижте снимката

зумер

Прозвучава в продължение на 20 секунди, когато резервоарът за вода (3) бъде изваден по време на работа.

Почистване и поддръжка

1. Изключете устройството и извадете щепсела, преди да започнете каквото и да е почистване или друга рутинна поддръжка.
2. За да избегнете риска от токов удар, никога не пръскайте и не разливайте вода върху влагоуловителя, когато почиствате.
3. Изключете устройството и източете водата от резервоара за вода, преди да преместите устройството. Не забравяйте да държите дръжката, докато се движите.
4. Избършете корпуса на устройството с мокра и мека кърпа.
5. Не разглюбявайте поплавка (6) от резервоара за вода (3).
6. Преди планирана продължителна работа за дълъг период е необходима периодична проверка, особено за мрежестия въздушен филтър (8), филтъра с активен въглен (11) и дренажната тръба (13) или други подобни.
7. За да почистите или смените филтрите:

- извадете щепсела и извадете резервоара за вода (3)
 - свалете корпуса на филтъра (9), както е показано на фигура 5
 - извадете мрежестия въздушен филтър (8) от корпуса и внимателно отстранете филтъра с активен въглен (11)
 - извадете НЕРА филтъра (7) от устройството
 - на всеки две седмици почиствайте и трите филтъра с прахосмукачка или леко ги потупвайте, за да ги изтръскате. Ефективността на обезвлажняване може да намалее, ако филтрите са запушени с мръсотия
 - поставете обратен филтрите и слобете корпуса на филтъра (9) отново.
- Ако филтрите са сериозно замърсени, измийте с вода, включително неутрален препарат, изплакнете добре с вода и оставете, докато изсъхне.
8. Не почиствайте устройството с бензин, разреждател или течен препарат.
9. Преди по-дълго съхранение: свържете захранващия кабел, изпразнете резервоара за вода и го избършете с мека кърпа, почиствайте и подсушете всички филтри. Поставете устройството изправено, за да избегнете повреда или необичаен звук в бъдеще, избягвайте излагането на пряка слънчева светлина.

Отстраняване на проблеми: проверете списъка по-долу, преди да се свържете с продавача:

1. Проблем: няма операция

Точка за проверка 1: вижте дали щепселът е изключен.

Решение 1: вкарайте щепсела в електрическия контакт докрай и стабилно

Точка за проверка 2: вижте дали водният резервоар е пълен с вода

Решение 2: Изпразнете водата от резервоара .

Точка за проверка 3: вижте дали резервоарът за вода не е поставен правилно на място .

Решение 3: Поставете правилно резервоара към устройството

Точка за проверка 4: вижте дали горният капак, направен от черна пластмаса на изхода за въздух, е затворен

Решение 4: отворете горния капак

2. Проблем: капацитетът на обезвлажнителя е малък

Точка за проверка 1: вижте дали филтрите са замърсени

Решение 1: Почистете филтрите, както е посочено в глава Почистване и поддръжка в точка 7

Точка за проверка 2: вижте дали отворите за въздух са запушени

Решение 2: отстранете препятствията от въздушните отвори

Точка за проверка 3: вижте дали изсушителят е в режим на циркулация на въздуха

Решение 3: Променете режима на работа на режим на изсушаване

3. Проблем: силен звук по време на работа

Точка за проверка 1: проверете дали устройството е инсталирано правилно

Решение 1: Инсталирайте устройството на равен и стабилен под

4. Проблем: изпраните кърпи не се сушат

Точка за проверка 1: вижте дали изпраните дрехи не са изложени на въздуха от устройството

Решение 1: Опитайте се да изложите изпраните дрехи на въздушния поток

Точка за проверка 2: вижте дали стайната температура е твърде ниска

Решение 2: Изпраните дрехи трудно се сушат при условия на ниска температура

Устройството работи правилно, когато възникне следното явление:

1. Описание на феномена: Работата спира от време на време

Причина за явлението: Устройството се размразява

2. Описание на феномена: Обезвлажнителят обем е малък

Причина за явлението: Обемът на изсушителя е по-малък, когато стайната температура е ниска.

3. Описание на феномена: Влажността в помещението е все още висока

Причина за явлението: Размерът на стаята може да е твърде голям . Вратите или прозорците на помещението могат да се отворят и / или затворят

често . Влагоуловителя се използва близо до керосин нагревател, който отделя пара .

4. Описание на феномена: Лоша миризма по време на работа

Причина за явлението: От стените , мебелите или други предмети се излъчва миризма .

5. Описание на феномена: В устройството се произвежда звук

Причина за явлението: Циркулацията на хладилния агент може да причини звук, докато не се стабилизира .

6. Описание на феномена: В резервоара за вода е останала вода

Причина за явлението: Водата е останала, защото устройството е подложено на изсушаващ тест във фабриката

7. Описание на феномена: Звъни зумерът

Причина за явлението: Зумерът звучи, когато резервоарът за вода е пълен с вода .

ВНИМАНИЕ: Хладилният агент може да се пълни само фабрично.

ТЕХНИЧЕСКИ ДАННИ:

Капацитет на обезвлажняване при 30°C / 80% RH): 25 литра / 24 часа

Капацитет на обезвлажняване при 27°C / 60% RH): 13 литра / 24 часа

Ниво на шум: <= 48dB (A)

Капацитет на резервоара за вода: 6,5 литра

Въздушен поток: 195 m³ / час

Тегло на охлаждащата течност R290: макс. 65 грама

Номинална входна мощност: 320W

Макс. Номинална входна мощност: 420W

Захранване: 220-240V ~50Hz



Внимание, риск от пожар.

НЕ пробивайте или изгаряйте.

Имайте предвид, че хладилният агент може да не съдържа мирис.

Максималното количество зареждане с хладилен агент: 65g.



За да защитите околната среда: моля, отделете картонените кутии и найлоновите торбички и ги изхвърлете в съответните кошчета за отпадъци. Използваният уред трябва да бъде доставен до специалните пунктове за събиране, поради опасни компоненти, които могат да повлияят на околната среда. Не изхвърляйте този уред в обикновен кош за отпадъци

(AZ) AZƏRBAYCAN

TƏHLÜKƏSİZLİK ŞƏRTLƏRİ. İSTİFADƏ TƏHLÜKƏSİZLİYİ ÜZRƏ VACİB TƏLİMATLAR

DİQQƏTLƏ OXUYUN VƏ GƏLƏCƏK İSTİFADƏ ÜÇÜN SAXLAYIN.

1. Cihazı istifadə etməzdən əvvəl, istismar kitabçasını oxuyun və orada olan təlimatlara əməl edin. İstehsalçı cihazın təyinatına zidd istifadə edilməsi və ya düzgün işləməməsi nəticəsində dəyən ziyanə görə məsuliyyət daşımır.
2. Cihaz yalnız evdə istifadə üçündür. Təyinatına uyğun olmayan başqa məqsədlər üçün istifadə etməyin.
3. Cihaz yalnız torpaqlanmış 220 240V ~ 50Hz olan AC çıxışına qoşulmalıdır. Əməliyyat təhlükəsizliyini artırmaq üçün birdən çox elektrik cihazı eyni vaxtda bir cərəyan dövrəsinə qoşulmamalıdır.
4. Uşaqlar yaxınlıqda olduqda cihazdan istifadə edərkən son dərəcə ehtiyatlı olun. Uşaqların cihazla oynamasına icazə verməyin, uşaqların və ya cihazla tanış olmayan şəxslərin ondan istifadə etməsinə icazə verməyin.
5. XƏBƏRDARLIQ: Bu avadanlıq 8 yaşdan yuxarı uşaqlar və məhdud fiziki, duyğu və ya əqli qabiliyyəti olan insanlar və ya avadanlıq haqqında heç bir təcrübəsi və ya biliyi olmayan insanlar tərəfindən istifadə edilə bilər, əgər bu məsul şəxsin nəzarəti altında aparılırsa onların təhlükəsizliyi üçün və ya onlara cihazın təhlükəsiz istifadəsi haqqında məlumat verilmişdir və ondan istifadənin təhlükələrindən xəbərdardırlar. Uşaqlar avadanlıqla oynamamalıdırlar. Cihazın təmizlənməsi və saxlanması 8 yaşdan yuxarı olmadıqda və bu fəaliyyətlər nəzarət altında həyata keçirildikdə uşaqlar tərəfindən həyata keçirilməməlidir.
6. İstifadədən sonra həmişə rozetkadan əlinizlə tutaraq elektrik fişini ayırın.

Elektrik kabelindən ÇƏKMƏYİN.

7. Kabeli, ştepseli və bütün cihazı suya və ya hər hansı digər mayeyə batırmayın. Cihazı atmosfer şəraitinə (yağış, günəş və s.) məruz qoymayın və ya yüksək rütubət şəraitində (hamam otaqları, nəm mobil evlər) istifadə etməyin.
8. Elektrik kabelinin vəziyyətini vaxtaşırı yoxlayın. Elektrik kabeli zədələnibsə, təhlükənin qarşısını almaq üçün onu mütəxəssis təmir sexi əvəz etməlidir.
9. Cihazı zədələnmiş elektrik kabeli ilə və ya yerə düşmüş və ya hər hansı başqa şəkildə zədələnmişsə və ya düzgün işləmirsə istifadə etməyin. Cihazı özünü təmir etməyin, çünki elektrik şoku riski var. Zədələnmiş cihazı yoxlamaq və ya təmir etmək üçün müvafiq xidmət mərkəzinə aparın. Bütün təmir işləri yalnız səlahiyyətli xidmət məntəqələri tərəfindən aparıla bilər. Yanlış yerinə yetirilən təmir istifadəçi üçün ciddi təhlükə yarada bilər.
10. Cihazı sərin, dayanıqlı bir səthə, isti mətbəx cihazlarından uzaqda yerləşdirin, məsələn: elektrik sobası, qaz ocağı və s.
11. Cihazın hava giriş və çıxışını heç nə ilə bağlamadığından əmin olun
12. Kondensasiyanın tökülməsinin qarşısını almaq üçün cihazı yalnız düz bir səthdə istifadə edin
13. Əlavə mühafizəni təmin etmək üçün nominal qalıq cərəyanı 30mA-dan çox olmayan elektrik dövrəsində qalıq cərəyan qurğusunun (RCD) quraşdırılması məqsədəuyğundur. Bunun üçün bir elektrikçidən soruşun.
14. Hava filtrini mütəmadi olaraq təmizləyin. Təmizləmə tezliyi havanın təmizliyindən asılıdır.
15. Maşını söndürdükdən sonra yenidən işə salmazdan əvvəl ən azı 5 dəqiqə gözləyin.
16. Effektiv nəmləndirmə üçün cihazların yan divarları ilə sıxılmış mebel və ya pərdələr arasında ən azı 20 sm boşluq istifadə edilməlidir.
17. Yanğın və ya partlayış riskinin qarşısını almaq üçün quruducuya püskürtməyin
18. Korpus hissələrini istifadə etmək üçün nəmləndiricini istilik cihazlarının yanında qoymayın.
19. Çəndə yığılmış suyu çıxarın. Təsadüfən su içmək və ya başqa insanlarla birlikdə istifadə etmək xəstəliyə səbəb ola bilər.
20. Hərəkətli və isti hissələrə görə arxa qapağı çıxarılan cihazları dəstəkləmir.
21. İstehsalçı tərəfindən tövsiyə olunanlardan başqa ərimə və ya əməliyyat prosesini həyata keçirmək üçün heç bir vasitədən istifadə etməyin.
22. Cihaz alovlanma mənbələrinin daimi siyahısının bir hissəsi kimi, yəni açıq

alov olmadan, işləyən qaz qurğusu və ya işləyən cihaz qızdırıcısı olmadan mövcud olmalıdır.

23. Pirs etməyin və siqaret çəkməyin.

24. Nəzərə alın ki, soyuducu istehsalçılarının tərkibində ətir olmaya bilər.

İlk istifadədən əvvəl:

1. Nəmləndirici düz və dayanıqlı bir səthdə istifadə edilməli, uyğun səmərəliliyi təmin etmək üçün Şəkil 1-ə uyğun olaraq qurğu ilə digər obyektlər arasında məsafə saxlanmalıdır. Havanı nəmləndirmək istədiyiniz otağın bütün pəncərə və qapılarını bağlayın.
2. Suyun donmasının qarşısını almaq üçün 0°C-dən aşağı mühit temperaturunda nəmləndirici və drenaj hortumundan istifadə etməyin.
3. Nəmləndiricidən kənarında istifadə etməyin. Birbaşa günəş işığına və ya yağışa məruz qalmaq həddindən artıq istiləşmə, elektrik şoku və yanğınlara nəticələnə bilər.
4. Cihazın içərisinə suyun tökülməməsi və izolyasiyanı pisləşdirməməsi üçün nəmləndiricinin üzərinə su çəni qoymayın.
5. Heç vaxt nəmləndiricini xüsusi məqsədlər üçün istifadə etməyə çalışmayın, məsələn, qidaların nəmləndirilməsi və ya sənət əşyalarının saxlanması və ya bu kimi işlər.
6. Yağ və ya yanan qaz sızmasının baş verə biləcəyi yerlərdə nəmləndiricidən istifadə etməyin. Cihazı kimyəvi maddələrə məruz qalan yerlərdə istifadə etməyin.
7. Davamlı drenaj üçün drenaj hortumunun yamacla düzgün qurulduğundan əmin olun.
8. Ehtiyatlı olun ki, istilik cihazı nəmləndiricidən gələn küləyin təsirinə məruz qalmasın.
9. Nəmləndiricidən stul və ya ayaqaltı kimi istifadə etməyin.
10. Şamandıra qolunu su çənindən çıxarmayın.
11. Hava girişlərini və hava çıxışlarını bağlamayın.
12. Cihazı yuyulmuş paltarla örtməyin.

Məhsulun təsviri: AD7863 2in1 Hava nəmləndiricisi və Hava təmizləyicisi

- | | |
|--|---------------------------------|
| 1. İdarəetmə paneli | 2. Hava girişi |
| 3. Su çəni 6,5L | 4. Hava çıxışı |
| 5. Tutacaq | 6. Floater |
| 7. HEPA hava filtri | 8. Yuyulmuş mesh hava ön filtri |
| 9. Filtr korpusu | 10. Rütubət göstəricisi |
| 11. Aktivləşdirilmiş karbon filtri | 12. Ön rəqəmsal displey |
| 13. Suyun fasilsiz axıdılması üçün boru üçün dəşik | |

İdarəetmə paneli (1):

- | | |
|------------------------------------|--|
| A. Güc açarı | B. Plus və mənfi düymələr |
| C. Taymer 0-24 saat düyməsi | D. Fan sürət düyməsi |
| E. Rejim düyməsi | F. Quru paltar rejiminin göstəricisi |
| G. Normal iş rejiminin göstəricisi | H. Hava dövrəni rejiminin göstəricisi |
| I. Avtomatik rejim göstəricisi | J. Cihazın özünü təmizləmə rejiminin göstəricisi |
| K. Fan yükü sürət göstəricisi | L. Fan aşağı sürət göstəricisi |
| M. Taymer göstəricisi | N. Temperatur göstəricisi |
| O. Rütubət göstəricisi | P. Həddi rütubət göstəricisi |
| Q. Tam su çəni göstəricisi | R. Güc göstəricisi |

S. Rütubət təmizləmə taymerinin otaq temperaturunun LED rəqəmsal displeyi

İSTİFADƏ ŞƏRTLƏRİ

Bu nəmləndirici rütubət çox aşağı təxminən 50% və ya daha az saxlamaq üçün uyğun deyil.

Bu nəmləndirici gündəlik həyatda xoşagəlməz rütubət aradan qaldırmaq və yuyulmuş paltarları qapalı yerlərdə kömür qurutmaq üçün nəzərdə tutulmuşdur. Bu, rütubət çox aşağı saxlamaq üçün uyğun deyil.

Cihazın işləməsi zamanı istilik mənbəyi otaq temperaturunun 1°C-dən 4°C-yə yüksəlməsi normaldır, çünki bu cihazın soyutma funksiyası yoxdur. Şəfəkdə və ya buna bənzər bir yerdə işləyən temperatur yüksəlir. Bundan əlavə, qapalı yerlərdə olduğu üçün

v otaqdakı dig r cihazlardan v gün ş şularından istilik m l g ldiyi üçün otaq temperaturu yüks lir . Bu n ml ndirici h ddind n artıq aşağı temperatur saxlamaq üçün t tbiç edil bilm z. Bu n ml ndiricinin funksiyası xoşag lm z, yüks k rütub ti çıxarmaqdır.

CIHAZIN ÖZÜNÜ ZİTM FONKSİYASI

Cihazın iç risind ki buxarlandırıcı rulonlarda şaxta yığıldıqda, avtomatik defrost funksiyası iş düş c k. The kompressor sön c k v ventilyator şaxta aradan qaldırılana q d r işl m y davam ed c k. Cihaz işl y rk n 5 d r c Selsi il 12 d r c Selsi arasında olan otaq temperaturunda , h r 8 d çiq d n bir t xmin n 3 d çiq rim dayanacaq. Cihaz otaq temperaturunda 12 d r c arasında işl y rk n Selsi d r c si v 18 d r c Selsi , o, t xmin n üçün defrost dayanacaq H r 25 d çiq d n bir 5 d çiq . Cihaz 18 d r c Selsi arasında olan otaq temperaturunda işl y rk n v 23 Selsi d r c si o, h r 120 d çiq d n bir t xmin n 5 d çiq rzind rim yi dayandıracaq. m liyyata davam etm zd n vv l 3 d çiq gözl yin. Kompresor dayandıqdan sonra iş yendid n başlaya bilm z 3 d çiq keç n q d r. Idar etm panelind ki (1) göst rici (J) öz-özün rim aktiv olduđu zaman yanır .

Vacib !

zdirm m liyyatı zamanı h m n m çıxarma funksiyası, h m d hava t mizl m funksiyası dayanır .

Dondurma zamanı cihazın fişini ayırmayın v ya cihazı söndürm yin .

N ml ndirm qabiliyy ti

1. N ml ndiricinin günd lik n m çıxarma qabiliyy ti otaq temperaturundan v nisbi rütub td n asılıdır. F rqlı temperaturda v nisbi rütub td f rqlı n m çıxarma qabiliyy ti ola bil r.
2. Eyni otaq temperaturunda daha yüks k nisbi rütub td n m çıxarma qabiliyy ti daha yüks kdır v aşağı nisbi rütub td n m çıxarma qabiliyy ti aşağıdır. Eyni nisbi rütub td daha yüks k temperaturda n m çıxarma qabiliyy ti daha yüks k, aşağı temperaturda is n m çıxarma qabiliyy ti aşağı olur.
3. g r n ml ndirici ş kafın iç risin yerl şdirilir , kabinetd ki rütub t çox aşağı düşdüyü üçün işl dikd n sonra qısa müdd t rzind onun n m çıxarma qabiliyy ti xeyli azala bil r.
4. Otaq temperaturunun 30°C / 27°C v nisbi rütub tin 80% / 60% üçün hava çıxışı tam açıq olduqda n m çıxarma qabiliyy ti müvafiq olaraq t xmin n 25/13 litr su t şkil edir.

Hava t mizl m sistemi - 3 m rh l li filtrasiya

havadaki çirkl ndirici hiss cikl ri v qoxuları t mizl m k üçün n z rd tutulmuşdur . Cihaza aşağıdakı filtrl r daxildir:

1. Yuyula bil n torlu hava süzgc i (8): havada toz v tükl ri süzm k üçün istifad edin.
 2. Aktiv şdirilmiş karbon filtri: siqaret, ev heyvanı v s. s b b olduđu qoxunu çıxarır.
- çirkl ndirici hiss cikl ri süzür v havanı t rav ti ndirir. HEPA H13 filtri axan havada ölçüsü 0,3 mikrona q d r olan çirkl ndirici hiss cikl rin 99,95%-ni effektiv ş kild saxlayır. HEPA H13 filtri allergiya x st l ri üçün havanın t mizl nm si üçün uygundur.

m liyyat

1. Z hm t olmasa, işl m yin v qeyri-adi s sin qarşısını almaq üçün cihazı dik qoyun. Ş kil 1-d göst rildiği kimi dig r obyektl r arasında m saf saxlayın.

2. HEPA filtri (7) çoxlu torbalarda qablaşdırılır, istifad etm zd n vv l çoxlu torbanı çıxarın.

3. Havanın asanlıqla çıxması üçün cihazın yuxarı hiss sind ki qara qapağı açın.

4. Cihazı qoşun, idar etm panelind (1) güc açarı (A) yanıb-sönür, cihazı yandırmaq üçün onu basın. R q msal display (S) otaqda mövcud rütub t s viyy sini göst r c k. Eyni zamanda cihazın ön-yuxarı k narında rütub t göst rici işığı (10) yanır.

m liyyat zamanı rütub t göst rici işığı otaqdakı cari rütub t s viyy sini göst ir:

- Mavi r ng 50% nisbi rütub td n aşağı aşağı rütub t dem kdır

- Yaşıl r ng 51% - 69% nisbi rütub t aralığında orta rütub t dem kdır

- Qırmızı r ng nisbi rütub tin 70%-d n yuxarı yüks k rütub t dem kdır

N z r alın ki, nisbi rütub t d y ri müvafiq göst rici işığını yandırdıqda 3% toleranlığa malikdir.

5. Aşağıdakılar arasında ist diyiniz iş rejimini seçm k üçün rejim düym sini (E) basın:

- Quru paltar rejimi – rejim düym sini (E) bir d f basın, göst rici (F) yanır. Sür tli funksiyanı yerin yetirm k üçün su ç ninin (3) dolu olması istisna olmaqla, kompressor dayanmadan fasil işl yir. Fan h r zaman yüks k sür td saxlayır.

- Normal iş rejimi – rejim düym sini (E) yendid n basın, göst rici (G) yanır. Normal iş ş raitind kompressor işl yir. İstifad ç plus v m nfi düym l ri (3) basaraq h d f rütub t s viyy sini t yin ed bil r. Qurulan rütub t diapazonu: 5% addım il 30%-80%. H d f rütub t çatdıqda kompressor işl m yi dayandırır. Fan h m yüks k, h m d aşağı sür td quraşdırıla bil r. Fan sür tini aşağı v yüks k arasında seçm k üçün (D) düym sini sixin, yüks k sür t üçün müvafiq göst rici (K) v aşağı sür t üçün (L) yanacaq.

- Hava dövrani rejimi – rejim düym sini (E) yendid n basın, göst rici (H) yanır. Bu rejimd kompressor işl mir, yalnız fan işl yir. Fanın sür tini ehtiyaclarınıza uyğun olaraq aşağı v yüks k sür t arasında t nziml y bil risiniz.

- Avtomatik rejim — rejim düym sini (E) yendid n basın, göst rici (I) yanır. Bu rejimd standart h d f rütub t 55% t şkil edir. Otaq rütub ti 55%- çatdıqda kompressor işl m yi dayandırır, fan yalnız işl m y davam edir. Otaq rütub ti 55%-d n yuxarı olduqda, kompressor yendid n iş başlayır.

Elektrik k sildik d , cihaz yaddaş funksiyasına malikdir v son quraşdırmanı xatırlaya bil r.

Davamlı drenaj funksiyası

1. q r havanı uzun müdd t n ml ndirm k lazımdır, fasil siz drenaj funksiyasından istifadə ed bil rsiniz.
2. Uzun müdd t fasil siz işl m d n vvl, xüsusi hava t mizl yici filtr, drenaj borusu v ya s. üçün dövrü yoxlama t l b olunur.
3. Su ç nini (3) ilkin yerind n götürün, b rkdilmiş boruyu fasil siz suyun boşaldılması (13) üçün çuxura daxil edin. Ş kil 5-d göst rlmşdir.
4. Normal qurutma rejimind h d f rütub ti t yin etdikd siz t yin ed bil rsiniz: 30-35-40-45-50-55-60-65-70-75-80%-CO-30% v s. "CO" davamlı n m çıxarma rejimi demkdir. Bu rejimd fan sür ti aşığı v ya yüks k sür t arasında seçil bil r.
5. Davamlı n ml ndirm ni bitirdikd n sonra borunu sökün, su ç nini (3) orijinal yerin qoyun v cihazı söndürün. Drenaj şlanqı: uzunluq: 30 sm, daxili diametri: 17 mm, xarici diametri: 19 mm.

Taymer m liyyatı - Gecikm dayandırma funksiyası

- Taymeri SÖNDÜRM funksiyasını - DELAY STOP funksiyasını t yin etm k üçün taymer düym sini (C) istifadə edin.
- Taymeri söndürm funksiyası cihaz işl r k n t yin edil bil r. Taymer düym sini (C) basın, taymer göst ricisi (M) yanacaq. LED r q msal display (S) yanır v "00" görünür, cihazın söndürülm si üçün ist diyiniz vaxtı seçm k üçün artı v ya m nfi düym l ri (B) sıxmalısınız.
- Taymeri t yin etdikd n sonra vaxt 5 saniy rzind göst ril c k v yadda saxla. Taymeri t yin etdikd n sonra sol vaxtla yoxlama üçün taymer düym sini (C) basın. Quraşdırma vaxtı keçdikd n sonra cihaz avtomatik olaraq sönc k. Taymer funksiyasını yenid n qurmaq üçün vaxt d y ri yanıb-sön n zaman taymer düym sini (C) davamlı olaraq basmaq lazımdır, vaxt d y ri sifıra d yiş c kdir. Taymer diapazonu 1 saatlıq fasil il 1 il 24 saat arasındadır.

Otaq temperaturunun yoxlanılması

Hazırkı otaq temperaturunu yoxlamaq üçün bir neç saniy rzind Plus düym sini sıxın, d y r LED r q msal displayd (S) görüdükd , eyni zamanda temperatur göst ricisi (N) görün c k.

Otaq rütub tinin yoxlanılması

Otaqdakı mövcud rütub ti yoxlamaq üçün LED r q msal displayd (S) göst ril n d y r baxın v ya ön r q msal displayd (12) göst ril n d y r baxın, eyni zamanda idar edicid rütub t göst ricisi (O) yanır. panel (1). Hazırkı otaq rütub ti t yin edilmiş nisbi rütub t çatdıqda, h d f rütub t göst ricisi (P) yanır.

Cihazı söndürm k üçün güc açarını (A) yenid n basın, cihaz işl m yi dayandırır, sad c güc göst ricisi (R) cihazın gözl m rejimind olduğunu bildirm k üçün yanıb-sönc k. Cihaz iş salındıqda. Güc göst ricisi (R) yanır.

Su ç ninin boşaldılması

1. Su ç ni (3) doludursa v ya su ç ni (3) düzgün v ziyıtd quraşdırılmayıbsa, idar etm panelind (1) dolu su ç ni göst ricisi (Q) yanır, siqnal s sl nir. Cihaz avtomatik olaraq f aliyy tni dayandıracaq.
2. Dolu su ç ni göst rici işığı (Q) yanıb-sön nd , su ç ni boş olana v ya düzgün mövqey qoyulana q d r cihaz f aliyy tni dayandırır.
3. Su ç nini (3) çıxarmaq üçün lütf n, su ç ninin içbükey hiss l rini tutaraq, su ç nini yumşaq bir ş kild özünüzd doğru ç kin. 3-cü ş kil baxın.
4. Su ç nini (3) boşaltmaq üçün onu daşımaq üçün tutacaqd n istifadə edin, sonra ş kil 4-d göst rildiyi kimi onu yin v suyu yavaş-yavaş boşaltın. Sonra, ç ni (3) yuvanın iç risind ki vv lki v ziyıtin yumşaq bir ş kild il m d n vv l sapı düz qoymalısınız.
5. Zaman zaman su ç ninin (6) içini t mizl m k lazımdır. Su ç nini (3) açmaq üçün su ç ninin tutacağıın yerini sapın yığıldığı iki plastik hiss d ki delikli rin formasına uyğunlaşdırın v sapı tamamil sökm k üçün sapın h r iki k narını z rfc genişl ndirin. İndi siz su ç ninin qapağını aç v su ç nini sabun v yumşaq parça il su il t mizl y bil rsiniz. Su ç nini (6) sökm yin v ya qaldırmayın (3). Ş kil baxın

Buzzer

İş zamanı su ç ni (3) çıxarıldıqda 20 saniy s sl nir.

T mizlik v Baxım

1. H r hansı t mizl m v ya dig r münt z m texniki xidm t başlamazdan vv l cihazı söndürün v elektrik fişini ayırın.
2. Elektrik şoku riskinin qarşısını almaq üçün t mizl y rk n heç vaxt n ml ndiricinin üz rin su s pm yin v ya tökm yin.
3. Cihazı köçürm zd n vv l cihazı söndürün v su ç nini boşaltın. H r k t ed rk n sapı tutmağınızdan min olun.
4. Cihazın korpusunu n m v yumşaq parça il silin.
5. Su ç nini (6) su anbarından (3) sökm yin.
6. Uzun müdd t planlaşdırılan fasil siz istismardan vv l, xüsusi d ş b k li hava filtri (8), aktivləşdirilmiş karbon filtri (11) v drenaj borusu (13) v ya s. üçün dövrü yoxlama t l b olunur.
7. Filtrl ri t mizl m k v ya d yışdırm k üçün:
 - fişini ayırın v su ç nini çıxarın (3)
 - Ş kil 5-d göst rildiyi kimi filtr korpusunu (9) çıxarın
 - mesh hava filtrini (8) korpusdan çıxarın v aktivləşdirilmiş karbon filtrini (11) yumşaq bir ş kild çıxarın.
 - HEPA filtrini (7) cihazdan çıxarın

- h r iki h ft d n bir tozsoranla h r üç filtri t mizl yin v ya silk l m k üçün yüngülc vurun. Filtrl r kirl tixandıqda, n ml ndirm performansı azala bil r

- filtrl ri geri qoyun v filtr korpusunu (9) yenid n yığın.

Filtrl r ciddi ş kild çirkli nibs , neytral yuyucu vasit d daxil olmaqla suda yuyun, su il yaxşıca yuyun v quruyana q d r saxlayın.

8.Cihazı benzin, tiner v ya maye yuyucu vasit il t mizl m yin.

9. Daha uzun saxlamadan vv l: elektrik kabelini yığın, su ç nini boşaltın v yumşaq parça il silin, bütün filtrl ri t mizl yin v qurudun.

G l c kd nasazlığın v ya anormal s sin yaranmasının qarşısını almaq üçün cihazı dik v ziyı td saxlayın, birbaşa gün ş işığına m ruz qalmayın.

Problem – h lli: Satıcı il laq saxlamazdan vv l aşağıdakı siyahı il yoxlayın:

1.Problem: m liyyat yoxdur

Yoxlama nöqt si 1: elektrik fişinin ayrılıb-sökülm diyin baxın.

H ll yolu 1: fişi tam v etibarlı ş kild elektrik rozetkasına daxil edin

Yoxlama nöqt si 2: su ç ninin su il dolu olub olmadığını yoxlayın

H ll yolu 2: Suyu ç nd n boşaltın .

Yoxlama nöqt si 3: su ç ninin yerind düzgün qurulmadığını yoxlayın .

H ll yolu 3: Tankı düzgün ş kild cihaza yerl şdirin

Yoxlama nöqt si 4: hava çıxışının qara plastıkd n hazırlanmış üst qapağının bağılı olub olmadığını yoxlayın

H ll yolu 4: üst qapağı açın

2. Problem: n ml ndiricinin tutumu kiçikdir

Yoxlama nöqt si 1: filtrl rin çirkli olub olmadığını yoxlayın

H ll yolu 1: Filtrl ri 7-ci b ndd T mizl m v Baxım bölm sind göst rildi yi kimi t mizl yin

Yoxlama nöqt si 2: hava d likl rinin tıxanıb başlanmadığına baxın

H ll yolu 2: hava d likl rind n mane l ri aradan qaldırın

Yoxlama nöqt si 3: n ml ndiricinin hava dövranı rejimind olub-olmadığını yoxlayın

H ll yolu 3: İş rejimini n m çıxarma rejimin d yışdırin

3. Problem: işl y rk n yüks k s s

Yoxlama nöqt si 1: cihazın düzgün quraşdırıldığını yoxlayın

H ll yolu 1: Cihazı düz v dayanıqlı bir yer quraşdırın

4. Problem: yuyulmuş paltarlar qurudulmur

Yoxlama nöqt si 1: yuyulmuş paltarların cihazdan havaya m ruz qalmadığını yoxlayın

H ll yolu 1: Yuyulmuş paltarları hava axınına m ruz qoymağa çalışın

Yoxlama nöqt si 2: otaq temperaturunun çox aşağı olub olmadığını yoxlayın

H ll yolu 2: Yuyulmuş paltarları aşağı temperatur ş raitind qurutmaq ç tindir

Aşağıdakı fenomen baş verdikd cihaz düzgün işl yir:

1.Fenomen t sviri: m liyyat b z n dayanır

Fenomenin s b bi: Cihaz buz riyir

2.Fenomen t sviri: N msizl şdirilmiş h cm kiçikdir

Fenomenin s b bi: Otaq temperaturu aşağı olduqda n ml ndiricinin h cmi azalır.

3.Fenomen t sviri: Otaqda rütub t h l d yüks kdir

Fenomenin s b bi: Otaq ölçüsü çox böyük ola bil r . Otağın qapıları v ya p nc r l ri açıla v / v ya bağlana bil r tez-tez . N ml ndirici buxar yayan kerosin qızdırıcısının yaxınlığında istifadə olunur .

4.Fenomen t sviri: m liyyat zamanı pis qoxu

Fenomenin s b bi: Divarlardan , mebel d n v ya dig r şyalardan qoxu yayılır .

5.Fenomen t sviri: S s cihaz daxilind yaranır

Fenomenin s b bi: Soyuducunun dövranı sabit olana q d r s s s b b ola bil r .

6.Fenomen t sviri: Su ç nind su qalır

Fenomenin s b bi: Cihaz fabrikd n m alma sınağına m ruz qaldığı üçün su qalır.

7.Fenomen t sviri: Sıqnal s sl nir

Fenomenin s b bi: Su ç ni su il dolu olduqda s s sıqnalı s sl nir .

DİQQ T: Soyuducu agent yalnız zavod t r find n doldurula bil r.

TEXNİKİ M LUMAT:

30°C / 80% RH-d n ml ndirm qabiliyy ti: 25 litr / 24 saat

27°C / 60% RH-d n ml ndirm qabiliyy ti: 13 litr / 24 saat

S s-küy s viyy si: <= 48dB (A)

Su ç ninin h cmi: 6,5 litr

Hava axını: 195 m3 / saat

R290 soyuducu kütl si: maks. 65 qram
Nominal Giriş Gücü: 320W
Maks. Nominal Giriş Gücü: 420W
Enerji t chizati: 220-240V ~50Hz



Diqqət, yangın təhlükəsi.
DELMEYİN və ya yandırmayın.
Nəzərə alın ki, soyuducuda qoxu olmaya bilər.
Maksimum soyuducu yükləmə miqdarı: 65 q.



Zhm t olmasa karton qablaşdırmanı tullantı kağıza köçürün. Polietilen torbalari (PE) plastik qaba tökün
Aşınmış cihaz müvafiq anbara qaytarılmalıdır, çünkü o, cihazda təhlükəli maddələr
maddələr trafik mühit üçün təhlükə yarada bilər. Elektrik cihazı limit qədər təhlükəli maddələr
onun təkrar istifadəsi və istifadəsi. q r cihazda batareyalar varsa, onu çıxarib ayrıca saxlanan nöqtəyə vermək lazımdır.

(ALB) SHQIPTAR

KUSHTET E SIGURISË. UDHËZIME TË RËNDËSISHME PËR SIGURINË E PËRDORIMIT

JU LUTEM LEXOJENI ME KUJDES DHE MBANI PER REFERENCA TE ARDHSHME

1. Përpara se të përdorni pajisjen, lexoni manualin e përdorimit dhe ndiqni udhëzimet e përfshira në të. Prodhuuesi nuk është përgjegjës për dëmet e shkaktuara nga përdorimi i pajisjes në kundërshtim me qëllimin e synuar ose funksionimin e pahijshëm.
2. Pajisja është vetëm për përdorim shtëpiak. Mos e përdorni për qëllime të tjera që nuk janë për qëllimin e synuar.
3. Pajisja duhet të lidhet vetëm me një prizë AC me tokëzim 220 240 V ~ 50 Hz. Për të rritur sigurinë operacionale, disa pajisje elektrike nuk duhet të lidhen në një qark aktual në të njëjtën kohë.
4. Tregoni kujdes ekstrem kur përdorni pajisjen kur fëmijët janë afër. Mos lejoni fëmijët të luajnë me pajisjen, mos lejoni që fëmijët ose personat që nuk e njohin pajisjen ta përdorin atë.
5. PARALAJMËRIM: Kjo pajisje mund të përdoret nga fëmijë mbi 8 vjeç dhe njerëz me aftësi të kufizuara fizike, shqisore ose mendore, ose njerëz që nuk kanë përvojë ose njohuri për pajisjen, nëse kjo bëhet nën mbikëqyrjen e një personi përgjegjës. për sigurinë e tyre ose u është dhënë informacion mbi përdorimin e sigurt të pajisjes dhe janë të vetëdijshëm për rreziqet e përdorimit të saj. Fëmijët nuk duhet të luajnë me pajisjet. Pastrimi dhe mirëmbajtja e pajisjes nuk duhet të kryhen nga fëmijët, përveç nëse janë mbi 8 vjeç dhe këto aktivitete kryhen nën mbikëqyrje.
6. Gjithmonë shkëputeni spinën duke e mbajtur prizën me dorë pas përdorimit. MOS e tërhiqni kordonin e rrymës.
7. Mos e zhytni kabllon, spinën dhe të gjithë pajisjen në ujë ose në ndonjë lëng tjetër. Mos e ekspozoni pajisjen ndaj kushteve atmosferike (shiu, dielli, etj.) ose mos e përdorni

në kushte me lagështi të lartë (banjo, shtëpi të lëvizshme me lagështirë).

8. Kontrolloni periodikisht gjendjen e kordonit të rrymës. Nëse kordoni i rrymës është i dëmtuar, ai duhet të zëvendësohet nga një dyqan riparimi i specializuar për të shmangur rrezikun.

9. Mos e përdorni pajisjen me një kablo të dëmtuar të rrymës ose nëse ajo ka rënë ose është dëmtuar në ndonjë mënyrë tjetër ose nëse nuk funksionon siç duhet. Mos e riparoni vetë pajisjen, pasi ekziston rreziku i goditjes elektrike. Merrni pajisjen e dëmtuar në një qendër shërbimi të përshtatshme për kontroll ose riparim. Të gjitha riparimet mund të kryhen vetëm nga pikat e autorizuar të shërbimit. Riparimet e kryera gabimisht mund të shkaktojnë rrezik serioz për përdoruesin.

10. Vendoseni pajisjen në një sipërfaqe të ftohtë, të qëndrueshme, larg pajisjeve të nxehta të kuzhinës si: sobë elektrike, djegës me gaz etj.

11. Sigurohuni që asgjë të mos bllokojë hyrjen dhe daljen e ajrit të pajisjes

12. Përdoreni pajisjen vetëm në një sipërfaqe të sheshtë për të parandaluar derdhjen e kondensimit

13. Për të siguruar mbrojtje shtesë, këshillohet të instaloni një pajisje të rrymës së mbetur (RCD) në qarkun elektrik me një rrymë të mbetur nominale jo më të madhe se 30 mA. Kërkoni një elektrikist për këtë.

14. Pastroni rregullisht filtrin e ajrit. Frekuenca e pastrimit varet nga pastërtia e ajrit.

15. Pasi ta fikni makinën, prisni të paktën 5 minuta përpara se ta ndizni sërish.

16. Për një delagëzim efektiv, duhet të përdoret një hendek prej të paktën 20 cm midis mureve anësore të pajisjeve dhe mobiljeve ose perdeve të ngjeshura.

17. Për të shmangur rrezikun e zjarrit ose shpërthimit, mos e spërkatni tharësen

18. Për të përdorur pjesët e strehës, mos e vendosni dehumidifikuesin pranë pajisjeve ngrohëse.

19. Hiqni ujin e mbledhur në rezervuar. Pirja aksidentale e ujit ose përdorimi i tij me njerëz të tjerë mund të shkaktojë sëmundje.

20. Nuk mbështet pajisjet me mbulesën e pasme të hequr për shkak të pjesëve të lëvizshme dhe të nxehta.

21. Mos përdorni asnjë mjet për të kryer procesin e shkrirjes ose funksionimit, përveç atyre të rekomanduara nga prodhuesi.

22. Pajisja duhet të jetë e disponueshme si pjesë e listës së përhershme të burimeve të ndezjes, dmth. pa flakë të hapur, pa pajisje gazi që funksionon ose pa pajisje ngrohëse.

23. Mos shponi dhe mos pini duhan.

24. Ju lutemi vini re se prodhuesit e frigoriferëve mund të mos përmbajnë aromë.

Para përdorimit të parë:

1. Dehumidifikuesi duhet të përdoret në një sipërfaqe të niveluar dhe të qëndrueshme, të mbajë distanca ndërmjet njësisë dhe objekteve të tjera sipas figurës 1 për të siguruar efikasitet të përshtatshëm. Mbyllni të gjitha dritaret dhe dyert e dhomës që dëshironi të hiqni ajrin.

2. Për të parandaluar ngrirjen e ujit, mos përdorni dehumidifikuesin dhe zorrën e kullimit në temperaturë ambienti nën 0°C

3. Mos e përdorni dehumidifikuesin jashtë. Ekspozimi ndaj rrezeve të diellit direkte ose shiut mund të rezultojë në mbinxehje, goditje

elektrike dhe zjarr.

4. Mos e vendosni rezervuarin e ujit në dehumidifikues për të shmangur çdo derdhje uji në njësinë brenda dhe përkeqëson izolimin.
5. Asnjëherë mos u përpiqni të përdorni dehumidifikuesin për përdorime të veçanta, të tilla si delagësimi i ushqimit ose ruajtja e objekteve të artit, ose të ngjashme.
6. Mos e përdorni dehumidifikuesin ku mund të ketë ndonjë rrjedhje vaji ose gazi të ndezshëm. Mos e përdorni njësinë në vende që i nënshtrohen kimikateve.
7. Për kullim të vazhdueshëm, sigurohuni që zorra e shkarkimit të jetë vendosur siç duhet me pjerrësi.
8. Kini kujdes që një pajisje ngrohëse të mos ekspozohet ndaj erës nga dehumidifikuesi.
9. Mos e përdorni dehumidifikuesin si karrige apo stol për këmbë.
10. Mos e hiqni levën notuese nga rezervuari i ujit.
11. Mos bllokoni hyrjet dhe daljet e ajrit.
12. Mos e mbuloni njësinë me robra të lara.

Përshkrimi i produktit: AD7863 Dehumidifikues ajri 2in1 & Pastrues ajri

- | | |
|---|------------------------------------|
| 1. Paneli i kontrollit | 2. Hyrja e ajrit |
| 3. Rezervuari i ujit 6,5L | 4. Dalja e ajrit |
| 5. Doreza | 6. Floater |
| Filter ajri HEPA | 8. Parafiltër ajri rrjetë që lahet |
| 9. Kutia e filtrit | 10. Drita treguese e lagështisë |
| 11. Filtri i karbonit të aktivizuar | 12. Ekran dixhital i përparmë |
| 13. Vrima për tubin në kullimin e vazhdueshëm të ujit | |

Paneli i kontrollit (1):

- | | |
|---|---|
| A. Ndërprerësi i energjisë | B. Butonat plus dhe minus |
| C. Butoni i kohëmatësit 0-24 orë | D. Butoni i shpejtësisë së ventilatorit |
| E. Butoni i modalitetit | F. Treguesi i modalitetit të rrobave të thara |
| G. Treguesi i mënyrës normale të funksionimit | H. Treguesi i modalitetit të qarkullimit të ajrit |
| I. Treguesi i modalitetit automatik | J. Treguesi i vetë-shkrirjes së pajisjes |
| K. Treguesi i shpejtësisë së lartë të ventilatorit | L. Treguesi i shpejtësisë së ulët të ventilatorit |
| M. Treguesi i kohëmatësit | N. Treguesi i temperaturës |
| O. Treguesi i lagështisë | P. Treguesi i synuar i lagështisë |
| P. Treguesi i rezervuarit të plotë të ujit | R. Treguesi i fuqisë |
| S. Ekran dixhital LED i lagështisë dhe kohëmatësit dhe temperaturës së dhomës | |

KUSHTET E PËRDORIMIT

Ky dehumidifikues nuk është i përshtatshëm për të mbajtur lagështinë shumë të ulët rreth 50 % ose më pak .

Ky dehumidifikues është projektuar për të hequr lagështinë e pakëndshme në jetën e përditshme dhe për t'u përdorur për tharjen ndihmëse të rrobave të lara në ambiente të mbyllura . Kjo nuk është e përshtatshme për të mbajtur lagështinë shumë të ulët .

Është normale që pajisja prodhon nxehtësi gjatë funksionimit dhe temperatura e dhomës rritet me 1C në 4C, sepse kjo pajisje nuk ka funksion ftohjeje . Temperatura rritet kur përdoret në dollap ose të ngjashme . Për më tepër , temperatura e dhomës rritet sepse dyert dhe dritaret janë të mbyllura dhe nxehtësia prodhohet nga pajisjet e tjera në dhomë dhe nga rrezatimi i diellit . Ky dehumidifikues nuk mund të përdoret për të mbajtur temperaturë ekstreme të ulët. Funksioni i këtij dehumidifikuesi është të largojë lagështinë e pakëndshme dhe të lartë.

FUNKSIONI VETËSHKRIRËS I PAJISJES

Kur ngrihet ngrihet në mbështjelljet e avulluesit brenda pajisjes, funksioni automatik i shkrirjes do të fillojë. Të kompresori do të fiket dhe ventilatori do të vazhdojë të punojë derisa të hiqet ngrica. Kur pajisja është në punë në një temperaturë dhome ndërmjet 5 gradë Celsius dhe 12 gradë Celsius , do të ndalojë të shkrijë për rreth 3 minuta çdo 8 minuta. Kur pajisja punon në një temperaturë dhome midis 12 gradë Celsius dhe 18 gradë Celsius , do të ndalojë të shkrijë për rreth 5 minuta çdo 25 minuta. Kur pajisja punon në një temperaturë dhome ndërmjet 18 gradë Celsius dhe 23 shkallë Celsius do të ndalojë për të shkrijë për rreth 5 minuta çdo 120 minuta. Prisni 3 minuta përpara se të rifilloni funksionimin. Pasi kompresori është ndalur, ai nuk mund të rifillojë funksionimin derisa të kalojnë 3 minuta. Treguesi (J) në panelin e kontrollit (1) ndizet gjatë gjithë kohës që shkrija e pavarur është aktive.

E RËNDËSISHME!

Si funksioni i lagështimit ashtu edhe funksioni i pastrimit të ajrit ndalojnë gjatë funksionimit të shkrirjes .

Mos e shkëputni spinën e pajisjes ose mos e fikni pajisjen gjatë shkrirjes .

Kapaciteti dehumidues

1. Kapaciteti ditor i dehumidifikuesit varet nga temperatura e dhomës dhe lagështia relative. Në temperatura të ndryshme dhe

lagështi relative, mund të ketë kapacitete të ndryshme dehumidifikimi.

2. Në të njëjtën temperaturë dhome, kapaciteti i lagështirës është më i lartë në lagështinë relative më të lartë dhe kapaciteti i lagështirës është më i ulët në lagështinë relative më të ulët. Në të njëjtën lagështi relative, kapaciteti i lagështirës është më i lartë në temperaturë më të lartë dhe kapaciteti i lagështirës është më i ulët në temperaturë më të ulët.

3. Nëse dehumidifikuesi vendoset në kabinet, kapaciteti i tij dehumidifikues mund të zvogëlohet shumë në një periudhë të shkurtër pas funksionimit për shkak se lagështia në kabinet është reduktuar shumë.

4. Për 30°C / 27°C të temperaturës së dhomës dhe 80% / 60% të lagështisë relative, kapaciteti i lagështirës është përafërsisht rreth 25/13 litra ujë kur dalja e ajrit është plotësisht e hapur.

Sistemi i pastrimit të ajrit - filtrim me 3 faza

Sistemi është projektuar për të hequr grimcat ndotëse dhe aromat në ajër. Pajisja përfshin filtrat e mëposhtëm:

1. Parafiltri i ajrit me rrjetë që lahet (8): përdoret për të filtruar pluhurin dhe flokët në ajër.

2. Filtri i karbonit aktiv: heq aromën e shkaktuar nga p.sh. cigaret, kafshët shtëpiake, etj.

3. Filtri HEPA H13: Filtron pluhurin, grimcat ndotëse dhe freskon ajrin. Filtri HEPA H13 ruan në mënyrë efektive 99,95% të grimcave ndotëse me madhësi deri në 0,3 mikron në ajrin që rrjedh. Filtri HEPA H13 është i përshtatshëm për pastrimin e ajrit për ata që vuajnë nga alergjitë.

Operacioni

1. Ju lutemi vendoseni pajisjen drejt për të shmangur funksionimin e gabuar dhe zërin e pazakontë. Mbanj distanca midis objekteve të tjera siç tregohet në figurën 1.

2. Filtri HEPA (7) është i paketuar në polibag, ju lutemi hiqni polibagun përpara përdorimit.

3. Hapni kapakun e zi në pjesën e sipërme të pajisjes që ajri të dalë lehtë.

4. Futni pajisjen në prizë, çelësi i rrymës (A) pulson në panelin e kontrollit (1), shtypni për të ndezur pajisjen. Ekranin dixhital (S) do të tregojë nivelin aktual të lagështisë në dhomë. Në të njëjtën kohë, drita treguese e lagështisë (10) do të ndizet në skajin e përparmë të sipërm të pajisjes.

Gjatë funksionimit, drita treguese e lagështisë tregon nivelin aktual të lagështisë në dhomë:

- Ngjyra blu nënkupton lagështi të ulët nën 50% lagështi relative

- Ngjyra jeshile nënkupton lagështinë mesatare në intervalin 51% - 69% lagështi relative

- Ngjyra e kuqe nënkupton lagështi të lartë mbi 70% lagështi relative

Ju lutemi vini re se vlera e lagështisë relative ka tolerancë 3% kur ndizet drita treguese përkatëse.

5. Shtypni butonin e modalitetit (E) në cikël për të zgjedhur mënyrën e dëshiruar të funksionimit midis:

- Modaliteti i rrobave të thara – shtypni butonin e modalitetit (E) një herë, treguesi (F) do të ndizet. Për të përbushur shpejt funksionin, kompresori punon vazhdimisht pa ndalesë, përveç rastit kur rezervuari i ujit (3) është plot. Ventilatori mban shpejtësi të lartë gjatë gjithë kohës.

- Modaliteti normal i funksionimit – shtypni përsëri butonin e modalitetit (E), treguesi (G) do të ndizet. Në funksionim normal,

kompresori punon. Përdoruesi mund të vendosë nivelin e synuar të lagështisë duke shtypur butonat plus dhe minus (3). Gama e vendosur e lagështisë është: 30%-80% me shkallë 5%. Kur të arrijë lagështia e synuar, kompresori ndalon së punuari. Ventilatori mund të vendoset në të dyja: shpejtësi të lartë dhe të ulët sipas nevojës tuaj. Për të zgjedhur shpejtësinë e ventilatorit ndërmjet të ulët dhe të lartë, shtypni butonin (D), treguesi përkatës (K) për shpejtësinë e lartë dhe (L) për shpejtësinë e ulët do të ndizet.

- Modaliteti i qarkullimit të ajrit – shtypni përsëri butonin e modalitetit (E), treguesi (H) do të ndizet. Në këtë modalitet, kompresori nuk funksionon, funksionon vetëm ventilatori. Ju mund ta rregulloni shpejtësinë e ventilatorit midis: shpejtësisë së ulët dhe të lartë sipas nevojave tuaja.

- Modaliteti automatik — shtypni përsëri butonin e modalitetit (E), treguesi (I) do të ndizet. Në këtë mënyrë, lagështia e paracaktuar e synuar është 55%. Kur lagështia e dhomës arrin 55%, kompresori ndalon së punuari, vetëm ventilatori vazhdon të punojë. Kur lagështia e dhomës është më e lartë se 55%, kompresori fillon të punojë përsëri.

Në rastin e ndërprerjes së energjisë elektrike, pajisja ka funksion memorie dhe mund të kujtojë konfigurimin e fundit.

Funksioni i kullimit të vazhdueshëm

1. Nëse keni nevojë të hiqni lagështinë e ajrit për një kohë të gjatë, mund të përdorni funksionin e kullimit të vazhdueshëm.

2. Përpara funksionimit të vazhdueshëm për një kohëzgjatje të gjatë, kërkohet kontroll periodik veçanërisht për filtrin e pastër të ajrit, tubin e shkarkimit ose të ngjashme.

3. Hiqeni rezervuarin e ujit (3) nga pozicioni origjinal, futni tubin e bashkangjitur në vrimë për kullim të vazhdueshëm të ujit (13) treguar në foton 5.

4. Kur vendosni lagështinë e synuar në regjimin normal të delagësisimit, mund të vendosni: 30-35-40-45-50-55-60-65-70-75-80%-CO-30% e kështu me radhë. "CO" do të thotë mënyrë e vazhdueshme e delagësisimit. Në këtë modalitet, shpejtësia e ventilatorit mund të zgjidhet midis shpejtësisë së ulët ose shpejtësisë së lartë.

5. Pas përfundimit të lagështimit të vazhdueshëm, çmontoni tubin, vendosni rezervuarin e ujit (3) në vendin e tij origjinal dhe fikni pajisjen.

Zorra e kullimit: gjatësia: 30 cm, diametri i brendshëm: 17 mm, diametri i jashtëm: 19 mm.

Funksionimi i kohëmatësit - Funksioni i ndalimit të vonesës

Për të vendosur funksionin OFF Timer - DELAY STOP përdorni butonin e kohëmatësit (C).

Funksioni i fikjes së kohëmatësit mund të vendoset kur pajisja është në punë. Shtypni butonin Timer (C), treguesi i kohëmatësit (M) do të ndizet. Ekрани dixhital LED (S) ndizet dhe shfaqet "00", duhet të shtypni butonat plus ose minus (B) për të zgjedhur kohën e dëshiruar që pajisja të fiket. Pasi të jetë vendosur kohëmatësi, koha do të shfaqet për 5 sekonda dhe mbani mend. Pasi të jetë vendosur kohëmatësi, për të kontrolluar me kohën e majtë shtypni butonin e kohëmatësit (C). Pajisja do të fiket automatikisht pas kalimit të kohës së konfigurimit. Për të rivendosur funksionin e kohëmatësit duhet të shtypni vazhdimisht butonin e kohëmatësit (C) ndërsa vlera e kohës pulson, vlera e kohës do të ndryshohet në zero. Gama e kohëmatësit është nga 1 deri në 24 orë me një interval 1-orësh.

Kontrolli i temperaturës së dhomës

Për të kontrolluar temperaturën aktuale të dhomës, shtypni butonin Plus për disa sekonda, kur vlera do të shfaqet në ekranin dixhital LED (S), në të njëjtën kohë do të shfaqet treguesi i temperaturës (N).

Kontrollimi i lagështisë së dhomës

Për të kontrolluar lagështinë aktuale të dhomës, shikoni vlerën e treguar nga ekranin dixhital LED (S) ose shikoni vlerën e treguar nga ekranin dixhital i përparmë (12), në të njëjtën kohë treguesi i lagështisë (O) do të ndizet në kontroll. paneli (1). Kur lagështia aktuale e dhomës të arrijë lagështinë relative të caktuar, treguesi i lagështisë së synuar (P) do të ndizet.

Shtypni përsëri çelësin e energjisë (A) për të fikur pajisjen, pajisja ndalon së punuari, vetëm treguesi i energjisë (R) do të pulsojë për të informuar se pajisja është në gjendje gatishmërie. Kur pajisja është e ndezur. Treguesi i fuqisë (R) ndizet.

Zbraza e rezervuarit të ujit

1. Nëse rezervuari i ujit (3) është i mbushur ose rezervuari i ujit (3) nuk është i instaluar në pozicionin e duhur, treguesi i rezervuarit të plotë të ujit (Q) ndizet në panelin e kontrollit (1), tingëllon sinjalizuesi. Pajisja do të ndalojë funksionimin automatikisht.
2. Kur drita treguese e rezervuarit të plotë të ujit (Q) pulson, pajisja ndalon funksionimin derisa rezervuari i ujit të zbrazet ose të vendoset në pozicionin e duhur.
3. Për të hequr rezervuarin e ujit (3) ju lutemi tërhiqeni depozitën e ujit butësisht drejt jush duke mbajtur pjesët konkave të rezervuarit të ujit. Shikoni foton 3.
4. Për të zbrazur rezervuarin e ujit (3), përdorni një dorezë për ta mbajtur atë, më pas anoni siç tregohet në figurën 4 dhe kullojeni ujin ngadalë. Më pas, duhet ta vendosni dorezën të sheshtë përpara se ta shtyni butësisht rezervuarin (3) përsëri në pozicionin e tij të mëparshëm brenda kutisë.
5. Herë pas here rezervuari i ujit (6) duhet ta pastrojë brenda. Për të hapur rezervuarin e ujit (3), rregulloni pozicionin e dorezës së rezervuarit të ujit në formën e vrimave në dy pjesë plastike ku doreza është montuar dhe zgjeroni butësisht të dy skajet e dorezës për ta çmontuar dorezën plotësisht. Tani mund të hapni kapakun e rezervuarit të ujit dhe ta pastroni rezervuarin me ujë me sapun enësh dhe leckë të butë. Mos e çmontoni ose ngrini notuesin (6) nga rezervuari i ujit (3). Shikoni foton

Buzzer

Tingëllon për 20 sekonda kur rezervuari i ujit (3) hiqet gjatë funksionimit.

Pastrimi dhe mirëmbajtja

1. Fikni pajisjen dhe shkëputni spinën elektrike përpara se të filloni çdo pastrim ose mirëmbajtje tjetër rutinë.
2. Për të shmangur rrezikun e goditjes elektrike, mos e spërkatni ose derdhni kurrë ujë mbi dehumidifikuesin kur e pastroni.
3. Fikni pajisjen dhe zbrazi ujin nga rezervuari i ujit përpara se ta lëvizni pajisjen. Sigurohuni që ta mbani dorezën gjatë lëvizjes.
4. Fshijeni kapakun e pajisjes me leckë të lagur dhe të butë.
5. Mos e çmontoni notuesin (6) nga rezervuari i ujit (3).
6. Përpara funksionimit të planifikuar të vazhdueshëm për një kohëzgjatje të gjatë, kërkohet kontroll periodik veçanërisht për filtrin e ajrit me rrjetë (8), filtrin e karbonit aktiv (11) dhe tubin e shkarkimit (13) ose të ngjashme.
7. Për të pastruar ose zëvendësuar filtrat:
 - shkëputni spinën dhe hiqni rezervuarin e ujit (3)
 - hiqni kutinë e filtrit (9) siç tregohet në figurën 5
 - hiqni filtrin e ajrit me rrjetë (8) nga kutia dhe hiqni butësisht filtrin e karbonit të aktivizuar (11)
 - hiqni filtrin HEPA (7) nga pajisja
 - çdo dy javë, pastroni të tre filtrat me një fshesë me korrent ose rrahni lehtë për t'i shkundur. Performanca e dehidritimit mund të ulet nëse filtrat janë të bllokuar me papastërti
 - vendosni filtrat mbrapa dhe montoni përsëri kutinë e filtrit (9).
- Nëse filtrat janë ndotur seriozisht, lani me ujë duke përfshirë detergjent neutral, shpëlajeni mirë me ujë dhe lëreni derisa të thahet.
8. Mos e pastroni pajisjen me benzinë, hollues ose detergjent të lëngshëm.
9. Përpara ruajtjes më të gjatë: lidhni kordonin e rrymës, zbrazi rezervuarin e ujit dhe fshijeni me një leckë të butë, pastroni dhe thani të gjithë filtrat. Vendoseni pajisjen në pozicionin drejt për të shmangur keqfunksionimin ose zhurmën jonormale në të ardhmen, shmangni ekspozimin ndaj rrezeve të diellit direkte.

Problemi – zgjidhja: kontrolloni me listën e mëposhtme përpara se të kontaktoni shitësin:

1.Problemi: nuk ka operacion

Pika e kontrollit 1: shikoni nëse spina është shkëputur.

Zgjidhja 1: futni spinën në një prizë elektrike plotësisht dhe mirë

Pika e kontrollit 2: shikoni nëse rezervuari i ujit është plot me ujë

Zgjidhja 2: Zbrazni ujin nga rezervuari .

Pika e kontrollit 3: shikoni nëse rezervuari i ujit nuk është vendosur në pozicionin e duhur .

Zgjidhja 3: Vendoseni rezervuarin në pajisjen në pozicionin e duhur

Pika e kontrollit 4: shikoni nëse kapaku i sipërm i bërë nga plastika e zezë e daljes së ajrit është i mbyllur

Zgjidhja 4: hapni kapakun e sipërm

2. Problemi: kapaciteti i dehumidifikuesit është i vogël

Pika e kontrollit 1: shikoni nëse filtrat janë të ndotur

Zgjidhja 1: Pastroni filtrat siç specifikohet në kapitullin Pastrimi dhe mirëmbajtja në pikën 7

Pika e kontrollit 2: shikoni nëse hapjet e ajrit janë bllokuar

Zgjidhja 2: hiqni pengesat nga hapjet e ajrit

Pika e kontrollit 3: shikoni nëse dehumidifikuesi është në modalitetin e qarkullimit të ajrit

Zgjidhja 3: Ndryshoni mënyrën e funksionimit në modalitetin e heqjes së lagështirës

3. Problem: tingulli i lartë gjatë punës

Pika e kontrollit 1: kontrolloni nëse pajisja është instaluar saktë

Zgjidhja 1: Instaloni pajisjen në një dysheme të niveluar dhe të qëndrueshme

4. Problemi: leckat e lara nuk janë tharë

Pika e kontrollit 1: shikoni nëse rrobat e lara nuk janë të ekspozuara ndaj ajrit nga pajisja

Zgjidhja 1: Përpunoni t'i ekspozoni rrobat e lara në rrjedhën e ajrit

Pika e kontrollit 2: shikoni nëse temperatura e dhomës është shumë e ulët

Zgjidhja 2: Rrobat e lara janë të vështira për t'u tharë në kushte të temperaturës së ulët

Pajisja funksionon siç duhet kur ndodh fenomeni i mëposhtëm:

1.Përshkrimi i fenomenit: Operacioni ndalon herë pas here

Arsyeja e dukurisë: Pajisja është duke u shkrirë

2.Përshkrimi i fenomenit: Vëllimi i lagështuar është i vogël

Arsyeja e dukurisë: Vëllimi i dehumidifikuesit më i vogël kur temperatura e dhomës është e ulët.

3.Përshkrimi i fenomenit: Lagështia në një dhomë është ende e lartë

Arsyeja e dukurisë: Madhësia e dhomës mund të jetë shumë e madhe . Dyert ose dritaret e dhomës mund të hapen dhe / ose të mbyllen

shpesh . Dehumidifikuesi përdoret afër një ngrohës vajguri i cili lëshon avuj .

4.Përshkrimi i fenomenit: Erë e keqe gjatë operimit

Arsyeja e dukurisë: Era lëshohet nga muret , mobiljet apo objektet e tjera .

5.Përshkrimi i fenomenit: Tingulli prodhohet brenda pajisjes

Arsyeja e dukurisë: Qarkullimi i ftohësit mund të shkaktojë zhurmë derisa të jetë i qëndrueshëm .

6.Përshkrimi i fenomenit: Uji lihet në rezervuarin e ujit

Arsyeja e dukurisë: Uji ka mbetur për shkak se pajisja i është nënshtruar testit të dehumidifikimit në fabrikë.

7.Përshkrimi i dukurisë: Tingëllon sinjalizuesi

Arsyeja e dukurisë: Tingëllon sinjalizuesi kur rezervuari i ujit është plot me ujë .

KUJDES: Agjenti ftohës mund të mbushet vetëm nga fabrika.

TË DHËNAT TEKNIKE:

Kapaciteti i dehumidifikimit në 30°C / 80% RH): 25 litra / 24 orë

Kapaciteti i dehumidifikimit në 27°C / 60% RH): 13 litra / 24 orë

Niveli i zhurmës: <= 48dB (A)

Kapaciteti i rezervuarit të ujit: 6,5 litra

Prurja e ajrit: 195 m³ / orë

Pesha e ftohësit R290: max. 65 gram

Fuqia nominale e hyrjes: 320 W

Maks. Fuqia nominale e hyrjes: 420 W

Furnizimi me energji elektrike: 220-240V ~50Hz



Kujdes, rrezik zjarri.

MOS shpuni ose digjini.

Kini parasysh se ftohësi mund të mos ketë erë.

Sasia maksimale e ngarkesës së ftohësit: 65 g.

უსაფრთხოების ზოგადი პირობები

უსაფრთხოების მნიშვნელოვანი ინსტრუქციები წაიკითხეთ ყურადღებით და შეინახეთ მომავალი მითითებისთვის

1. მოწყობილობის გამოყენებამდე წაიკითხეთ მომხმარებლის სახელმძღვანელო და მიჰყევით მასში მოცემულ ინსტრუქციას. მწარმოებელი არ არის პასუხისმგებელი მოწყობილობის დანიშნულებისამებრ გამოყენების ან არასათანადო მუშაობის შედეგად გამოწვეული ზიანისთვის.
2. მოწყობილობა განკუთვნილია მხოლოდ სახლის გამოყენებისთვის. არ გამოიყენოთ სხვა მიზნებისთვის, რომელიც არ შეესაბამება მის დანიშნულებას.
3. მოწყობილობა უნდა იყოს დაკავშირებული მხოლოდ დამიწებულ AC 220 240V~50Hz-ზე. ოპერაციული უსაფრთხოების გაზრდის მიზნით, არ დააკავშიროთ რამდენიმე ელექტრო მოწყობილობა ერთდროულად ერთ წრეში.
4. განსაკუთრებით ფრთხილად იყავით მოწყობილობის გამოყენებისას, როდესაც ბავშვები ახლოს არიან. ბავშვებს არ უნდა მიეცეთ საშუალება, ითამაშონ მოწყობილობასთან.
5. გაფრთხილება: ეს მოწყობილობა შეიძლება გამოიყენონ 8 წელზე უფროსი ასაკის ბავშვებმა და შემცირებული ფიზიკური, სენსორული ან გონებრივი შესაძლებლობების მქონე პირებმა, ან ადამიანები, რომლებსაც არ გააჩნიათ გამოცდილება ან ცოდნა აღჭურვილობის შესახებ, თუ მათ მეთვალყურეობენ ან მიეცათ ინსტრუქციები. გამოიყენეთ ინსტრუქციები მოწყობილობის უსაფრთხო გამოყენების შესახებ და იცოდეთ მის გამოყენებასთან დაკავშირებული საფრთხეები. ბავშვებს არ უნდა ეთამაშათ აღჭურვილობა. მოწყობილობის გაწმენდა და მოვლა არ უნდა ჩატარდეს ბავშვების მიერ, თუ ისინი არ არიან 8 წელზე უფროსი ასაკის და ეს აქტივობები ხორციელდება მეთვალყურეობის ქვეშ.
6. როდესაც დაასრულებთ მის გამოყენებას, ამოიღეთ შტეფსელი დენის სოკეტიდან ხელით დაჭერით. არ გაჭიმოთ დენის კაბელი.
7. არ ჩაყაროთ კაბელი, შტეფსელი ან მთელი მოწყობილობა წყალში ან სხვა სითხეში. არ დაუშვათ მოწყობილობა ამინდის პირობებში (წვიმა, მზე და ა.
8. პერიოდულად შეამოწმეთ კვების კაბელის მდგომარეობა. თუ დენის კაბელი დაზიანებულია, ის უნდა შეიცვალოს

სპეციალისტმა სარემონტო ობიექტმა, რათა თავიდან აიცილოთ საფრთხე.

9. არ გამოიყენოთ მოწყობილობა, თუ დენის კაბელი დაზიანებულია, თუ ის ჩამოვარდა ან რაიმე სახით დაზიანდა, ან თუ ის ნორმალურად არ მუშაობს. არ შეაკეთოთ მოწყობილობა საკუთარ თავს, რადგან ამან შეიძლება გამოიწვიოს ელექტროშოკი. მიიტანეთ დაზიანებული მოწყობილობა შესაბამის სერვის ცენტრში შესამოწმებლად ან შესაკეთებლად. ყველა შეკეთება შეიძლება შესრულდეს მხოლოდ ავტორიზებული სერვისცენტრების მიერ. არასწორად შესრულებულმა რემონტმა შეიძლება სერიოზული საფრთხე შეუქმნას მომხმარებელს.

10. მოათავსეთ მოწყობილობა გრილ, სტაბილურ, თანაბარ ზედაპირზე, მოშორებით ცხელი სამზარეულოს ტექნიკისგან, როგორცაა: ელექტრო ღუმელი, გაზქურა და ა.შ.

11. დარწმუნდით, რომ არაფერი არ ბლოკავს მოწყობილობის ჰაერის შესასვლელსა და გამოსავალს

12. გამოიყენეთ მოწყობილობა მხოლოდ ბრტყელ, ჰორიზონტალურ ზედაპირზე, რათა თავიდან აიცილოთ კონდენსაციის დაღვრა

13. დამატებითი დაცვის უზრუნველსაყოფად, მიზანშეწონილია დამონტაჟდეს ნარჩენი დენის მოწყობილობა (RCD) ელექტრულ წრეში, რომლის ნომინალური ნარჩენი დენი არ აღემატება 30 mA-ს. ამასთან დაკავშირებით, გთხოვთ, დაუკავშირდეთ სპეციალისტ ელექტრიკოსს.

14. რეგულარულად გაწმინდეთ ჰაერის ფილტრი. გაწმენდის სიხშირე დამოკიდებულია ჰაერის სისუფთავეზე.

15. მოწყობილობის გამორთვის შემდეგ დაელოდეთ მინიმუმ 5 წუთი, სანამ ხელახლა ჩართავთ.

16. ექვეტური გამრობის უზრუნველსაყოფად შეინარჩუნეთ მინიმუმ 20 სმ მანძილი მოწყობილობის გვერდით კედლებსა და კედელს, ავეჯს ან ფარდებს შორის.

17. ხანძრის ან აფეთქების საფრთხის თავიდან ასაცილებლად, არ შეასხუროთ გამათხვრიებელი

18. კორპუსის ნაწილების დნობის ან ხანძრის თავიდან ასაცილებლად, არ მოათავსოთ გამათხვრიებელი გამათბობელ მოწყობილობებთან ახლოს.

19. ამოიღეთ ავზში დაგროვილი წყალი. წყლის შემთხვევით დაღვრვამ ან სხვა მიზნებისთვის გამოყენებამ შეიძლება

დაავადდეთ.

20. არ გამოიყენოთ მოწყობილობა მოძრავი და ცხელი ნაწილების გამო ამოღებული უკანა საფარით.

21. არ გამოიყენოთ რაიმე საშუალება გაღობის ან გაწმენდის პროცესის დასაჩქარებლად, გარდა მწარმოებლის მიერ რეკომენდებული.

22. მოწყობილობა უნდა ინახებოდეს ოთახში მუდმივად მოქმედი აალების წყაროების გარეშე, ანუ ღია ცეცხლის გარეშე, მოქმედი გაზის დანადგარის ან მოქმედი ელექტრო გამაცხელებლის გარეშე.

23. არ გახვრეტით და არ დაწვით.

24. გთხოვთ გაითვალისწინოთ, რომ მაცივარი შეიძლება იყოს უსუნო.

პირველ გამოყენებამდე

1. გამათხვავებელი უნდა იყოს გამოყენებული ჰორიზონტალურ და სტაბილურ ზედაპირზე, შეინარჩუნოს მანძილი მოწყობილობასა და სხვა ობიექტებს შორის, როგორც ნაჩვენებია სურათ 1-ში, რათა უზრუნველყოს ადეკვატური შესრულება. დახურეთ ოთახის ყველა ფანჯარა და კარი, რომელშიც გასურთ ჰაერის გამრობა.

2. წყლის გაყინვის თავიდან ასაცილებლად, არ გამოიყენოთ გამათხვავებელი და სანიაღვრე შლანგი 0°C-ზე დაბალ ტემპერატურაზე.

3. არ გამოიყენოთ გამათხვავებელი გარეთ. მზის პირდაპირი სხივების ან წვიმის ზემოქმედებამ შეიძლება გამოიწვიოს გადახურება, ელექტრომოკი და ხანძარი.

4. არ მოათავსოთ ავზი გამწმენდზე, რათა თავიდან აიცილოთ წყლის დაღვრა მოწყობილობის შიგნით და იზოლაციის გაფუჭება.

5. არასოდეს შეეცადოთ გამოიყენოთ დამატეხიანებული სპეციალური მიზნებისათვის, როგორცაა საკვების გამრობა ან ხელოვნების საგნების შენახვა და ა.შ.

6. არ გამოიყენოთ გამათხვავებელი ისეთ ადგილებში, სადაც შეიძლება გაჟონოს ზეთი ან აალებადი აირი. არ გამოიყენოთ მოწყობილობა ქიმიკატების ზემოქმედების ქვეშ.

7. უწყვეტი დაცლისთვის, დარწმუნდით, რომ სანიაღვრე შლანგი სწორად არის ორიენტირებული დახრილობით.

8. ფრთხილად იყავით, რომ გამაცხელებელი მოწყობილობა არ ექვემდებარებოდეს ქარის გამათხვავებელს.

9. არ გამოიყენოთ გამათხვავებელი სკამად ან ფეხის სკამად.

10. არ ამოიღოთ მცურავი ბერვეტი წყლის ავზიდან.

11. არ გადაკეტოთ ჰაერის შესასვლელი და გასასვლელი.

12. არ დაფაროთ მოწყობილობა გარეცხილი ტანსაცმლით.

პროდუქტის აღწერა: AD7863 2in1 გამათხვავებელი და ჰაერის გამწმენდი

1. მართვის ჰანელი
2. ჰაერის შესასვლელი
3. წყლის ავზი 6.5ლ
4. ჰაერის გასასვლელი
5. სახელური
6. მცურავი
7. HEPA ჰაერის ფილტრი
8. ბადისწინა ჰაერის ფილტრი
9. ფილტრის კორპუსი
10. ტენიანობის მაჩვენებელი ნათურა
11. გააქტიურებული ნახშირბადის ფილტრი
12. წინა ციფრული დისკლეი
13. სანიაღვრე შლანგის ხვრელი წყლის უწყვეტი დრენაჟისთვის

მართვის ჰანელი (1):

- | | |
|--|---|
| A. დენის შეცვლა | B. ჰლუს და მინუს დილაკები |
| C. 0-24 საათის ტაიმერის დილაკი | D. ვენტილატორის სიჩქარის დილაკი |
| E. რეჟიმის არჩევის დილაკი | F. ტანსაცმლის გამრობის რეჟიმის მაჩვენებელი |
| G. ნორმალური მუშაობის რეჟიმის მაჩვენებელი | H. ჰაერის ცირკულაციის რეჟიმის მაჩვენებელი |
| I. ავტომატური რეჟიმის ინდიკატორი | J. მოწყობილობის თვითგაყინვის ინდიკატორი |
| K. ვენტილატორის მაღალი სიჩქარის მაჩვენებელი | L. ვენტილატორის დაბალი სიჩქარის მაჩვენებელი |
| M. ტაიმერის მაჩვენებელი | N. ტემპერატურის მაჩვენებელი |
| O. ტენიანობის მაჩვენებელი | P. ტენიანობის სამიზნე მაჩვენებელი |
| Q. წყლის ავზის სავსე მაჩვენებელი | R. სიმძლავრის მაჩვენებელი |
| S. ციფრული LED დისკლეი ტენიანობის, ტაიმერის და ოთახის ტემპერატურისთვის | |

გამოყენების პირობები

ეს გამათენებელი არ არის შესაფერისი ძალიან დაბალი ტენიანობის შესანარჩუნებლად, დაახლოებით 50% ან ნაკლები. დამატენიანებელი განკუთვნილია ყოველდღიური უსიამოვნო ტენიანობის მოსაშორებლად და დახურულ ოთახებში გარეცხილი ტანსაცმლის დამატებით გასაშრობად. ეს არ არის შესაფერისი ძალიან დაბალი ტენიანობის შესანარჩუნებლად.

ნორმალურია, რომ მოწყობილობა გამოიმუშავებს სითბოს მუშაობის დროს და ოთახის ტემპერატურა იზრდება 1°C-დან 4°C-მდე, რადგან ამ მოწყობილობას არ აქვს გაგრილების ფუნქცია. ტემპერატურა იზრდება, როდესაც მოწყობილობა გამოიყენება კარადაში ან მსგავს ადგილას. გარდა ამისა, ოთახში ტემპერატურა იმატებს, რადგან კარ-ფანჯრები დახურულია და სითბო გამოიმუშავებს ოთახში არსებული სხვა მოწყობილობებისა და მზის რადიაციის მიერ. ამ გამათენებელი არ შეიძლება გამოყენებულ იქნას უკიდურესად დაბალი ტემპერატურის შესანარჩუნებლად. ამ გამათენებლის დანიშნულებაა უსიამოვნო, მაღალი ტენიანობის ამოტუმბვა.

მოწყობილობის თვითგაყინვის ფუნქცია

როდესაც ყინვა გროვდება მოწყობილობის მიგნით აორთქლების ხვეულებზე, გააქტიურდება ავტომატური გალდობის ფუნქცია. კომპრესორი გამოირთვება და ვენტილატორი იმუშავებს ყინვის მოცილებამდე. როდესაც მოწყობილობა მუშაობს ოთახის ტემპერატურაზე 5 გრადუს ცელსიუსიდან 12 გრადუს ცელსიუსამდე, გაყინვა შეჩერდება დაახლოებით 3 წუთის განმავლობაში ყოველ 8 წუთში. როდესაც მოწყობილობა მუშაობს ოთახის ტემპერატურაზე 12 გრადუსი ცელსიუსიდან 18 გრადუს ცელსიუსამდე, გაყინვა შეჩერდება დაახლოებით 5 წუთით ყოველ 25 წუთში. როდესაც მოწყობილობა მუშაობს ოთახის ტემპერატურაზე 18 გრადუს ცელსიუს-დან 23 გრადუს ცელსიუსამდე, გაყინვა შეჩერდება დაახლოებით 5 წუთით ყოველ 120 წუთში. ოპერაციის განახლებამდე დაელოდეთ 3 წუთი. კომპრესორის გაჩერების შემდეგ, მისი გადატვირთვა შეუძლებელია 3 წუთის გასვლამდე. ინდიკატორი (J) მართვის პანელზე (1) ანათებს მუდმივად, როდესაც გააქტიურებულია თვითგაყინვა.

მნიშვნელოვანია!

როგორც დატენიანების, ასევე ჰაერის გამწმენდის ფუნქცია ჩერდება თვითგაყინვისას. არ გამორთოთ მოწყობილობა და არ გამორთოთ მოწყობილობა გაყინვისას.

დატენიანების შესრულება

1. დამატენიანებელის დღიური ტევადობა დამოკიდებულია ოთახის ტემპერატურაზე და ფარდობით ტენიანობაზე. სხვადასხვა ტემპერატურაზე და ფარდობით ტენიანობაზე, მას შეიძლება ჰქონდეს განსხვავებული დატენიანების შესრულება.
2. იმავე ოთახის ტემპერატურაზე, დატენიანების ეფექტურობა უფრო მაღალია უფრო მაღალი ფარდობითი ტენიანობის დროს, ხოლო დატენიანობის ეფექტურობა დაბალია დაბალი ფარდობითი ტენიანობის დროს. იმავე ფარდობითი ტენიანობის პირობებში, დატენიანების ეფექტურობა უფრო მაღალია მაღალ ტემპერატურაზე, ხოლო დატენიანობის ეფექტურობა დაბალია დაბალ ტემპერატურაზე.
3. თუ გამათვხვირებელი მოთავსებულია კარადაში, მისი დატენიანების მოქმედება შეიძლება მნიშვნელოვნად დაქვეითდეს დაწყებიდან მალევე, კაბინეტში ტენიანობის მნიშვნელოვანი ვარდნის გამო.
4. ოთახის ტემპერატურაზე 30°C / 27°C და ფარდობითი ტენიანობისთვის 80% / 60%, დატენიანების სიძლიერე არის დაახლოებით 25/13 ლიტრი წყალი, ჰაერის გასასვლელი სრულად ღია.

ჰაერის გამწმენდი სისტემა – 3-ეტაპიანი ფილტრაცია

სისტემა შექმნილია ჰაერიდან დამაბინძურებლების ნაწილაკებისა და სუნის მოსაშორებლად. მოწყობილობა შეიცავს შემდეგ ფილტრებს:

1. გასარეცხი ბადის წინასწარი ფილტრი (8): გამოიყენება ჰაერში მტვრისა და თმის გასაფილტრად.
2. გააქტიურებული ნახშირბადის ფილტრი: უსიამოვნო სუნის მოცილება, მაგ., მოწვეისგან, შინაური ცხოველებისგან და ა.შ.

3. HEPA H13 ფილტრი: ფილტრავს მტვერს, ჭუჭყის ნაწილაკებს და აქვს გამაგრილებელი ეფექტი. HEPA H13 ფილტრი ეფექტურად ინარჩუნებს 99,95% დამაბინძურებლების ნაწილაკებს 0,3 მიკრონი ზომის ჰაერში. HEPA H13 ფილტრი განუთვნილია ჰაერის გასაწმენდად ალერგიით დაავადებულთათვის.

სერვისი

1. გთხოვთ, განათავსოთ მოწყობილობა ვერტიკალურად, რათა თავიდან აიცილოთ შეფერხება და უჩვეულო ხმა. შეინარჩუნეთ მანძილი სხვა ობიექტებს შორის, როგორც სურათზე 1.

2. HEPA ფილტრი (7) შეფუთულია ფოლგის ჩანთაში, გთხოვთ ამოიღოთ იგი გამოყენებამდე.

3. გახსენით მავი საფარი მოწყობილობის თავზე, რათა ჰაერი თავისუფლად მიედინება.

4. შეაერთეთ მოწყობილობა, ჩართვის ჩამრთველი (A) ციმციმებს მართვის ჰანელზე (1), დააჭირეთ მას, რომ ჩართოთ მოწყობილობა. ციფრული ვრანი (S) აჩვენებს ოთახში არსებული ტენიანობის დონეს. ამავდროულად, ტენიანობის მაჩვენებელი (10) აინთება მოწყობილობის ზედა წინა კიდეზე.

ექსპლუატაციის დროს, ტენიანობის მაჩვენებელი აჩვენებს ოთახში ტენიანობის მიმდინარე დონეს:

- ლურჯი ფერი მიუთითებს დაბალ ტენიანობაზე 50% ფარდობით ტენიანობაზე

- მწვანე ფერი მიუთითებს საშუალო ტენიანობაზე 51% - 69% ფარდობით ტენიანობის დიაპაზონში.

- წითელი ფერი მიუთითებს მაღალ ტენიანობაზე 70% ფარდობით ტენიანობაზე

გთხოვთ გაითვალისწინოთ, რომ ფარდობითი ტენიანობის მნიშვნელობას აქვს ტოლერანტობა 3% შესაბამისი ინდიკატორის ნათურის ჩართვისას.

5. მორიგებით დააჭირეთ რეჟიმის არჩევის ღილაკს (E), რომ აირჩიოთ სასურველი ოპერაციული რეჟიმი შორის:

- ტანსაცმლის გამშობის რეჟიმი - ერთხელ დააჭირეთ რეჟიმის ღილაკს (E), ინდიკატორის შუქი (F) აინთება. ფუნქციის სწრაფად შესრულების უზრუნველსაყოფად, კომპრესორი მუშაობს განუწყვეტლივ, გარდა იმ შემთხვევებისა, როდესაც წყლის ავზი (3) სავსეა. ვენტილატორი მუდმივად მუშაობს დიდი სიჩქარით.

- ნორმალური მუშაობის რეჟიმი - კვლავ დააჭირეთ რეჟიმის ღილაკს (E), ინდიკატორის შუქი (G) აინთება. ნორმალური მუშაობის დროს კომპრესორი მუშაობს. მომხმარებელს შეუძლია დააყენოს სამიზნე ტენიანობის დონე ჰლუს და მიწუს ღილაკების (3) დაჭერით. დაყენებული ტენიანობის დიაპაზონი არის 30%-80% 5%-იან ნაბიჯებში. მას შემდეგ, რაც მიიღწევა სამიზნე ტენიანობა, კომპრესორი წყვეტს მუშაობას. ვენტილატორის დაყენება შესაძლებელია როგორც მაღალ, ასევე დაბალ სიჩქარეზე, თქვენი საჭიროებიდან გამომდინარე. ვენტილატორის სიჩქარის დაბალსა და მაღალს შორის ასარჩევად დააჭირეთ ღილაკს (D), აინთება შესაბამისი ინდიკატორი (K) მაღალი სიჩქარისთვის და (L) დაბალი სიჩქარისთვის.

- ჰაერის ცირკულაციის რეჟიმი - კვლავ დააჭირეთ რეჟიმის ღილაკს (E), ინდიკატორი (H) აინთება. ამ რეჟიმში კომპრესორი არ მუშაობს, მხოლოდ ვენტილატორი. თქვენ შეგიძლიათ დაარეგულიროთ ვენტილატორის სიჩქარე შორის: დაბალი და მაღალი სიჩქარე თქვენი

საჭიროების მიხედვით.

- ავტომატური რეჟიმი — კვლავ დააჭირეთ რეჟიმის ღილაკს (E), ინდიკატორის შუქი (I) აინთება. ამ რეჟიმში, ნაგულისხმევი სამიზნე ტენიანობაა 55%. როდესაც ოთახში ტენიანობა 55%-ს მიაღწევს, კომპრესორი წყვეტს მუშაობას, მუშაობს მხოლოდ ვენტილატორი. როდესაც ოთახში ტენიანობა 55%-ს გადააჭარბებს, კომპრესორი კვლავ დაიწყებს მუშაობას.

ელექტროენერჯის გათიშვის შემთხვევაში მოწყობილობას აქვს მეხსიერების ფუნქცია და ახსოვს ბოლო კონფიგურაცია.

უწყვეტი გამრობის ფუნქცია

1. თუ თქვენ გჭირდებათ ჰაერის დიდი ხნის განმავლობაში დატენიანება, შეგიძლიათ გამოიყენოთ უწყვეტი დატენიანების ფუნქცია.
2. გრძელვადიანი უწყვეტი მუშაობის დაწყებამდე საჭიროა პერიოდული შემოწმება, განსაკუთრებით ჰაერის ფილტრის, სადრენაჟე შლანგის და სხვა მსგავსი.
3. ამოიღეთ წყლის ავზი (3) თავდაპირველი მდგომარეობიდან, ჩადეთ მიმაგრებული მილი წყლის უწყვეტი სადრენაჟო ხვრელში (13), როგორც ნაჩვენებია სურათზე 5.
4. მიზნობრივი ტენიანობის ნორმალურ დეტენიანობის რეჟიმში დაყენების შემდეგ შეგიძლიათ დააყენოთ: 30-35-40-45-50-55-60-65-70-75-80%-CO-30% და ა.შ. "CO" ნიშნავს უწყვეტი მშრალი რეჟიმი. ამ რეჟიმში ვენტილატორის სიჩქარე შეიძლება შეირჩეს დაბალ ან მაღალ სიჩქარეს შორის.
5. უწყვეტი გამრობის შემდეგ, დამალეთ სანიაღვრე შლანგი, დააბრუნეთ წყლის ავზი (3) თავდაპირველ მდგომარეობაში და გამორთეთ მოწყობილობა.
სანიაღვრე შლანგი: სიგრძე: 30 სმ, შიდა დიამეტრი: 17 მმ, გარე დიამეტრი: 19 მმ.

ტაიმერის მოქმედება - გამორთეთ დაყოვნების ფუნქცია

ტაიმერის OFF - DELAYED STOP ფუნქციის დასაყენებლად გამოიყენეთ ტაიმერის ღილაკი (C) გამორთვის ტაიმერის ფუნქციის დაყენება შესაძლებელია მოწყობილობის მუშაობის დროს. დააჭირეთ ტაიმერის ღილაკს (C), ტაიმერის ინდიკატორი (M) ანათებს. ციფრული LED დისპლეი (S) აინთება და გამოჩნდება "00", დააჭირეთ პლიუს ან მინუს ღილაკს (B) გამორთვის სასურველი დროის ასარჩევად. ტაიმერის დაყენების შემდეგ, დრო გამოჩნდება 5 წამის განმავლობაში და დაიმახსოვრდება. ტაიმერის დაყენების შემდეგ, დარჩენილი დროის შესამოწმებლად, დააჭირეთ ტაიმერის ღილაკს (C). დაყენებული დროის შემდეგ მოწყობილობა ავტომატურად გამოირთვება. ტაიმერის ფუნქციის აღსადგენად, ხანგრძლივად დააჭირეთ ტაიმერის ღილაკს (C), სანამ დროის მნიშვნელობა ციმციმდება, დროის მნიშვნელობა ნულამდე შეიცვლება. ტაიმერის დიაპაზონი არის 1-დან 24 საათამდე 1 საათიანი ინტერვალით.

ოთახის ტემპერატურის შემოწმება

ოთახის მიმდინარე ტემპერატურის შესამოწმებლად დააჭირეთ Plus ღილაკს რამდენიმე წამის განმავლობაში, როდესაც მნიშვნელობა გამოჩნდება ციფრულ LED ვერანზე (S), ასევე ნაჩვენებია

ტემპერატურის მაჩვენებელი (N).

ტენიანობის შემოწმება ოთახში

შიდა შიდა ტენიანობის მიმდინარე შესამოწმებლად, შეხედეთ მნიშვნელობას, რომელიც ნაჩვენებია LED ციფრულ ეკრანზე (S) ან შეხედეთ მნიშვნელობას, რომელიც ნაჩვენებია წინა ციფრულ ეკრანზე (12), ამავდროულად ტენიანობის მაჩვენებელი (O) ანათებს. როდესაც ოთახის ამჟამინდელი ტენიანობა მიაღწევს დადგენილ თვარდობით ტენიანობას, სამიზნე ტენიანობის მაჩვენებელი (P) ანათებს მართვის პანელზე (1).

მოწყობილობის გამორთვისთვის ხელახლა დააჭირეთ დენის გადამრთველს (A), მოწყობილობა შეწყვეტს მუშაობას, მხოლოდ დენის ინდიკატორი (R) ანათებს, რათა მიუთითებდეს, რომ მოწყობილობა ლოდინის რეჟიმშია. როდესაც მოწყობილობა ჩართულია. დენის ინდიკატორი (R) ანათებს.

წყლის ავზის დაცლა

1. თუ წყლის ავზი (3) სავსეა ან არ არის დაყენებული სწორ მდგომარეობაში, საკონტროლო პანელზე (1) წყლის ავზის სავსე ინდიკატორი (Q) ანათებს და ისმის აკუსტიკური სიგნალი. მოწყობილობა ავტომატურად შეწყვეტს მუშაობას.
2. როდესაც წყლის ავზის სავსე ინდიკატორი (Q) ციმციმდება, დანადგარი წყვეტს მუშაობას, სანამ წყლის ავზი არ დაცარიელდება ან არ დაბრუნდება სწორ მდგომარეობაში.
3. წყლის ავზის (3) ამოსაღებად, ნაზად მიიწიეთ წყლის ავზი თქვენსკენ, ხოლო ავზის ჩაზნექილი ნაწილები გეჭირეთ. შეხედეთ ფოტო 3.
4. წყლის ავზის (3) დასაცარიელებლად გამოიყენეთ სატარი სახელური, შემდეგ დახარეთ, როგორც ნაჩვენებია 4-ზე და ნელა დაასხით წყალი. ამის შემდეგ თქვენ უნდა დაადოთ სახელური სიბრტყეზე, სანამ ნაზად დააბრუნებთ ავზს (3) მის წინა პოზიციაზე საცხოვრებლის შიგნით.
5. დროდადრო გაასუფთავეთ წყლის ავზი (6). წყლის ავზის გასასხნელად (3), გაასწორეთ ავზის სახელური ხვრელების ფორმასთან იმ ორ ჰლასტმასის ნაწილზე, რომლებზეც სახელურია მიმაგრებული და ნაზად გაანაწილეთ სახელურის ორივე კიდე ერთმანეთისგან, რათა სახელური მთლიანად ამოიღოთ. ახლა თქვენ შეგიძლიათ გახსნათ წყლის ავზის საფარი და გაასუფთავოთ ავზი წყლით, ჭურჭლის სარეცხი სითხით და რბილი ქსოვილით. არ დამალოთ და არ ასწიოთ ფლოტი (6) წყლის ავზიდან (3). იხილეთ ფოტო

ზუმერი

აკუსტიკური სიგნალი გრძელდება 20 წამის განმავლობაში, როდესაც წყლის ავზი (3) ამოღებულია ექსპლუატაციის დროს.

დასუფთავება და მოვლა

1. სანამ დასუფთავებას ან სხვა რუტინულ მოვლა-პატრონობას განახორციელებთ, გამორთეთ მოწყობილობა და გამორთეთ იგი შრედან.
2. ელექტრომოჰოს საფრთხის თავიდან ასაცილებლად, არასოდეს დაასხუროთ წყალი გამაფხვიერებელზე და არ დაასხით იგი გაწმენდისას.
3. მოწყობილობის გადაადგილებამდე გამორთეთ მოწყობილობა და დაცალეთ წყლის ავზი. ტარებისას დაიჭირეთ სახელური.
4. გაწმინდეთ მოწყობილობის კორპუსი ნესტიანი და რბილი ქსოვილით.
5. არ დამალოთ ფლოტი (6) წყლის ავზიდან (3).
6. დაგეგმილი უწყვეტი მუშაობის დაწყებამდე საჭიროა პერიოდული შემოწმება, განსაკუთრებით ჰაერის ბადის ფილტრის (8), გააქტიურებული ნახშირბადის ფილტრის (11) და სანიაღვრე მილის (13) და ა.შ.
7. ფილტრების გასაწმენდად ან შესაცვლელად:
 - გამორთეთ შტეფსელი და ამოიღეთ წყლის ავზი (3)
 - დამალოთ ფილტრის კორპუსი (9), როგორც ნაჩვენებია სურათზე 5
 - ამოიღეთ საჰაერო ბადის ფილტრი (8) კორპუსიდან და ნაზად ამოიღეთ გააქტიურებული ნახშირბადის ფილტრი (11)
 - ამოიღეთ HEPA ფილტრი (7) მოწყობილობიდან
 - ყოველ ორ კვირაში ერთხელ გაწმინდეთ სამივე ფილტრი მტვერსასრუტით ან მსუბუქად დააწეით, რომ ამოდროთ. დატენიანების მოქმედება შეიძლება შემცირდეს, თუ ფილტრები დაბინძურებულია
 - დააბრუნეთ ფილტრები და დააინსტალირეთ ფილტრის კორპუსი (9).
 თუ ფილტრები სერიოზულად დაბინძურებულია, გარეცხეთ ისინი წყალში ნეიტრალური სარეცხი საშუალებით, კარგად ჩამოიბანეთ წყლით და დატოვეთ გასაშრობად.
8. არ გაწმინდოთ მოწყობილობა ბენზინით, გამათხვლებელი ან თხევადი სარეცხი საშუალებით.
9. ხანგრძლივ შენახვამდე: მიამაგრეთ დენის კაბელი, დაცარიელებული წყლის ავზი და გაწმინდეთ რბილი ქსოვილით, გაასუფთავეთ და გააშრეთ ყველა ფილტრი. მოათავსეთ მოწყობილობა ვერტიკალურ მდგომარეობაში, რათა თავიდან აიცილოთ გაუმართაობა ან არანორმალური ხმა მომავალში, მოერიდეთ მზის პირდაპირ სხივებს.

პრობლემა - პრობლემების მოგვარება: შეამოწმეთ ქვემოთ მოცემული სია გამყიდველთან დაკავშირებამდე:

1. პრობლემა: არანაირი მოქმედება

შეამოწმეთ წერტილი 1: შეამოწმეთ, გამორთულია თუ არა კვების ბლოკი.

გამოსავალი 1: ჩადეთ შტეფსელი ელექტრო განყოფილებაში მთლიანად და უსაფრთხოდ

შეამოწმეთ წერტილი 2: შეამოწმეთ არის თუ არა წყლის ავზი სავსე წყლით

გამოსავალი 2: დაცარიელებული წყალი ავზიდან.

შეამოწმეთ წერტილი 3: შეამოწმეთ თუ არა წყლის ავზი სწორად განლაგებული.

გამოსავალი 3: მოათავსეთ ავზი მოწყობილობაზე შესაბამის მდგომარეობაში

შეამოწმეთ წერტილი 4: შეამოწმეთ, რომ შავი პლასტიკის ზედა ჰაერის გასასვლელი საფარი

დახურულია

გამოსავალი 4: გახსენით ზედა საფარი

2. პრობლემა: დატენიანების სიმძლავრე დაბალია

შეამოწმეთ წერტილი 1: შეამოწმეთ თუ ფილტრები არ არის ჭუჭყიანი

გამოსავალი 1: გაასუფთავეთ ფილტრები, როგორც ეს აღწერილია დასუფთავებისა და მოვლის განყოფილებაში მე-7 ნაბიჯში

შეამოწმეთ პუნქტი 2: შეამოწმეთ, არ არის თუ არა სავენტილაციო ხვრელები ჩაკეტილი

გამოსავალი 2: ამოიღეთ დაბრკოლებები საჰაერო ხვრელებიდან

შეამოწმეთ წერტილი 3: შეამოწმეთ, არის თუ არა გამაფხვიერებელი ჰაერის ცირკულაციის რეჟიმში

გამოსავალი 3: შეცვალეთ მუშაობის რეჟიმი მშრალი რეჟიმში

3. პრობლემა: მუშაობის დროს ხმადაღალი ხმა

გამშვები პუნქტი 1: შეამოწმეთ, თუ მოწყობილობა სწორად არის დაინსტალირებული

გამოსავალი 1: დააინსტალირეთ მოწყობილობა დონის და სტაბილურ იატაკზე

4. პრობლემა: გარეცხილი ტანსაცმელი არ შრება

შეამოწმეთ წერტილი 1: შეამოწმეთ, რომ გარეცხილი ტანსაცმელი არ ექვემდებარება ჰაერს მანქანიდან

გამოსავალი 1: სცადეთ გარეცხილი ტანსაცმელი ჰაერის ნაკადში გადაიტანოთ

შეამოწმეთ წერტილი 2: შეამოწმეთ ოთახის ტემპერატურა არ არის ძალიან დაბალი

გამოსავალი 2: გარეცხილი ტანსაცმლის გამრობა რთულია დაბალ ტემპერატურაზე

მოწყობილობა მუშაობს გამართულად, როდესაც ხდება შემდეგი ფენომენი:

1. ფენომენის აღწერა: საშუალო ხანდახან ჩერდება

ფენომენის მიზეზი: მოწყობილობა ყინავს

2. ფენომენის აღწერა: დატენიანებული ჰაერის მოცულობა მცირეა

ფენომენის გამომწვევი მიზეზი: ოთახის დაბალი ტემპერატურისას გამაფხვიერებელის მოცულობა უფრო მცირეა.

3. ფენომენის აღწერა: ოთახში ტენიანობა კვლავ მაღალია

ფენომენის მიზეზი: ოთახის ზომა შეიძლება იყოს ძალიან დიდი. ოთახის კარები ან ფანჯრები შეიძლება გაიხსნას და/ან დაიხუროს

ხშირად. გამაფხვიერებელი მუშაობს ნავთის გამათბობელთან, რომელიც გამოყოფს ორთქლს.

4. ფენომენის აღწერა: უსიამოვნო სუნი მუშაობის დროს

ფენომენის გამომწვევი მიზეზი: კედლებიდან, ავეჯიდან და სხვა საგნებიდან მოდის სუნი.

5. ფენომენის აღწერა: აპარატის შიგნით წარმოიქმნება ხმა

ფენომენის მიზეზი: მაგივრის ცირკულაციამ შეიძლება გამოიწვიოს ხმაური, სანამ არ დასტაბილურდება

6. ფენომენის აღწერა: წყალი რჩება წყლის ავზში

ფენომენის გამომწვევი მიზეზი: წყალი რჩება იმის გამო, რომ მოწყობილობას ქარხანაში გამრობის ტესტი ჩაუტარდა

7. თენომენის აღწერა: ყდერს აკუსტიკური სიგნალი

თენომენის მიზეზი: ზუმერი ირთვება, როცა წყლის ავზი წყლით არის სავსე

შენიშვნა: მაცივრის შევსება შესაძლებელია მხოლოდ ქარხანაში.

ტექნიკური მონაცემები:

დატენიანების სიძძლავრე 30°C / 80% RH): 25 ლიტრი / 24 საათი

დატენიანების სიძძლავრე 27°C / 60% RH): 13 ლიტრი / 24 საათი

ხმაურის დონე: <= 48dB (A)

წყლის ავზის მოცულობა: 6,5 ლიტრი

ჰაერის ნაკადი: 195 მ3/სთ

გამაგრებლის წონა R290: მაქს. 65 გრამი

ნომინალური შეყვანის სიძძლავრე: 320 W

მაქსიმალური რეიტინგული შეყვანის სიძძლავრე: 420

კვების წყარო: 220-240V ~50Hz



Kujdes, rrezik zjarri.
MOS shponi ose digjini.
Kini parasysh se ftohësi mund të mos ketë erë.
Sasia maksimale e ngarkesës së ftohësit: 65 g.



გთხოვთ გადაიტანეთ მუყაოს შეფუთვა მაკულატურაზე. ჩაასხით პოლიეთილენის პარკები (PE) პლასტმასის კონტეინერში

ნახმარი მოწყობილობა უნდა დაბრუნდეს შესაბამის წერტილოვან საცავში, რადგან ის საშიშია მოწყობილობაში ინგრედიენტებმა შეიძლება საფრთხე შეუქმნას გარემოს. ელექტრო მოწყობილობა უნდა გადაეცეს ლიმიტამდე მისი ხელახალი გამოყენება და გამოყენება. თუ მოწყობილობაში არის ბატარეები, უნდა ამოვიღოთ და მივცეთ ცალკე შენახულ წერტილს.

ADLER

EUROPE



**Electric Kettle
AD 1282**



Burr Coffee Grinder



**Milk Frother
AD 4491**



**Sandwich Maker
AD 3055**



TOASTER 2 SLICE



ELECTRIC GRILL



**CITRUS
JUICER**



**PERSONAL
BLENDER**



**FOOD PROCESSOR
AD 4224**



**MIXER
AD 4225**



**AIR FRYER
AD 6310**



**PASTEURIZATION
POT**



**AIR CONDITIONER
AD 7916**



**AIR HUMIDIFIER
AD 7966**



**FAN HEATER
AD 7725**



**KITCHEN SCALE
AD 3166**

WWW.ADLEREUROPE.EU



AFTER SALE SERVICE NOTICE

| | |
|------------|--|
| GB | If you want to buy spare parts or make any complaints, please contact the seller who issued the receipt directly. |
| DE | Wenn Sie Ersatzteile kaufen oder reklamieren möchten, wenden Sie sich bitte direkt an den Verkäufer, der die Quittung ausgestellt hat. |
| FR | Si vous souhaitez acheter des pièces de rechange ou faire des réclamations, veuillez contacter directement le vendeur qui a émis le reçu. |
| ES | Si desea comprar repuestos o presentar alguna queja, comuníquese directamente con el vendedor que emitió el recibo. |
| PT | Se você quiser comprar peças de reposição ou fazer alguma reclamação, entre em contato diretamente com o vendedor que emitiu o recibo. |
| LT | Jei norite įsigyti atsarginių dalių ar pateikti nusiskundimų, susisiekite tiesiogiai su kvitą išdavusiu pardavėju. |
| LV | Ja vēlaties iegādāties rezerves daļas vai izteikt pretenzijas, lūdzu, sazinieties tieši ar pārdevēju, kurš izsniedza čeku. |
| EST | Kui soovite osta varuosi või esitada pretensioone, võtke otse ühendust kviitungi väljastanud müüjaga. |
| HU | Ha pótkalkatrészeket szeretne vásárolni, vagy panaszt szeretne tenni, forduljon közvetlenül a bizonylatot kiállító eladóhoz. |
| BS | Ako želite kupiti rezervne dijelove ili napraviti reklamaciju, obratite se direktno prodavaču koji je izdao račun. |
| RO | Если вы хотите купить запчасти или предъявить какие-либо претензии, пожалуйста, свяжитесь напрямую с продавцом, выдавшим чек. |
| CZ | Chcete-li zakoupit náhradní díly nebo uplatnit jakoukoli reklamaci, kontaktujte přímo prodejce, který účtenku vystavil. |
| RU | Если вы хотите приобрести запчасти или предъявить претензии, обращайтесь непосредственно к продавцу, выдавшему чек. |
| GR | Εάν θέλετε να αγοράσετε ανταλλακτικά ή να κάνετε οποιαδήποτε παράπονα, επικοινωνήστε απευθείας με τον πωλητή που εξέδωσε την απόδειξη. |
| MK | Ako sakate da kupite rezervni delovi ili da podnesete kakvi bilo poplaki, kontaktirajte direktno sa prodavacem koji je izdao smetkato. |
| NL | Als u reserveonderdelen wilt kopen of een klacht wilt indienen, neem dan rechtstreeks contact op met de verkoper die de bon heeft afgegeven. |
| SL | Če želite kupiti nadomestne dele ali vložiti reklamacije, se obrnite neposredno na prodajalca, ki je izdal račun. |
| FI | Jos haluat ostaa varaosia tai tehdä valituksia, ota yhteyttä suoraan kuitin antaneeseen myyjään. |
| PL | W przypadku chęci zakupu części zamiennych lub zgłoszenia ewentualnych reklamacji należy kontaktować się bezpośrednio ze sprzedawcą, który wystawił paragon. |
| IT | Se desidero acquistare pezzi di ricambio o presentare reclami, contatta direttamente il venditore che ha emesso la ricevuta. |
| HR | Se desidero acquistare pezzi di ricambio o presentare reclami, contatta direttamente il venditore che ha emesso la ricevuta. |
| SV | Om du vill köpa reservdelar eller göra några reklamationer, vänligen kontakta säljaren som utfärdat kvittot direkt. |
| DK | Hvis du ønsker at købe reservedele eller reklamere, bedes du kontakte sælgeren, som har udstedt kvitteringen, direkte. |
| UA | Якщо ви хочете придбати запчастини або подати будь-які претензії, зверніться безпосередньо до продавця, який видав чек. |
| SR | Ako želite da kupite rezervne delove ili da uložite reklamaciju, obratite se direktno prodavcu koji je izdao račun. |
| SK | Ak si chcete kúpiť náhradné diely alebo uplatniť akúkoľvek reklamáciu, kontaktujte priamo predajcu, ktorý účtenku vystavil. |
| AR | إذا كنت ترغب في شراء قطع غيار أو تقديم أي شكوى ، فيرجى الاتصال بالبياع الذي أصدر الإيصال مباشرة. |
| BG | Ako iscate da закупите резервни части или да направите оплаквания, моля, свържете се директно с продавача, който е издал касовата бележка. |
| AZ | Ehtiyat hissələri almaq və ya hər hansı şikayət etmək istəyirsinizsə, qəbzi verən satıcı ilə birbaşa əlaqə saxlayın. |
| ALB | Nëse dëshironi të blini pjesë këmbimi ose të bëni ndonjë ankesë, ju lutemi kontaktoni drejtpërdrejt shitësin që ka lëshuar faturën. |
| KA | თუ გსურთ სათადარიგო ნაწილების შეძენა ან რაიმე პრეტენზია, გთხოვთ დაუკავშირდეთ გამყიდველს, რომელმაც გასცა ქვითარი პირდაპირ. |